



US00D420313S

United States Patent [19]

[11] Patent Number: **Des. 420,313**

Sample

[45] Date of Patent: **** Feb. 8, 2000**

[54] **WHEEL SAFETY CAP**

[76] Inventor: **Richard Mark Sample**, 20, Heaton Dr.,
Baildon Shipley, W. Yorks, United
Kingdom, B97 5PH

[**] Term: **14 Years**

[21] Appl. No.: **29/087,401**

[22] Filed: **May 1, 1998**

[51] **LOC (7) Cl.** **12-15**

[52] **U.S. Cl.** **D12/153**

[58] **Field of Search** D12/153; D9/445;
138/89.1, 89.2, 89.3, 89.4; 301/35.52; 411/371,
429, 431, 432, 433, 925

[56] **References Cited**

U.S. PATENT DOCUMENTS

Re. 33,114	11/1989	Chiavon	411/429
D. 215,716	10/1969	Miller	D23/260
D. 326,259	5/1992	Studenski	D13/156
D. 358,707	5/1995	Holt	D12/400
1,829,972	11/1931	Wiley	411/129

2,878,905	3/1959	Langermeier	138/89.2
4,712,586	12/1987	McCauley et al.	138/89
4,826,380	5/1989	Henry	411/429
5,082,409	1/1992	Bias	411/431
5,129,770	7/1992	Coleman	411/429
5,163,797	11/1992	Patti	411/431

Primary Examiner—Robert M. Spear

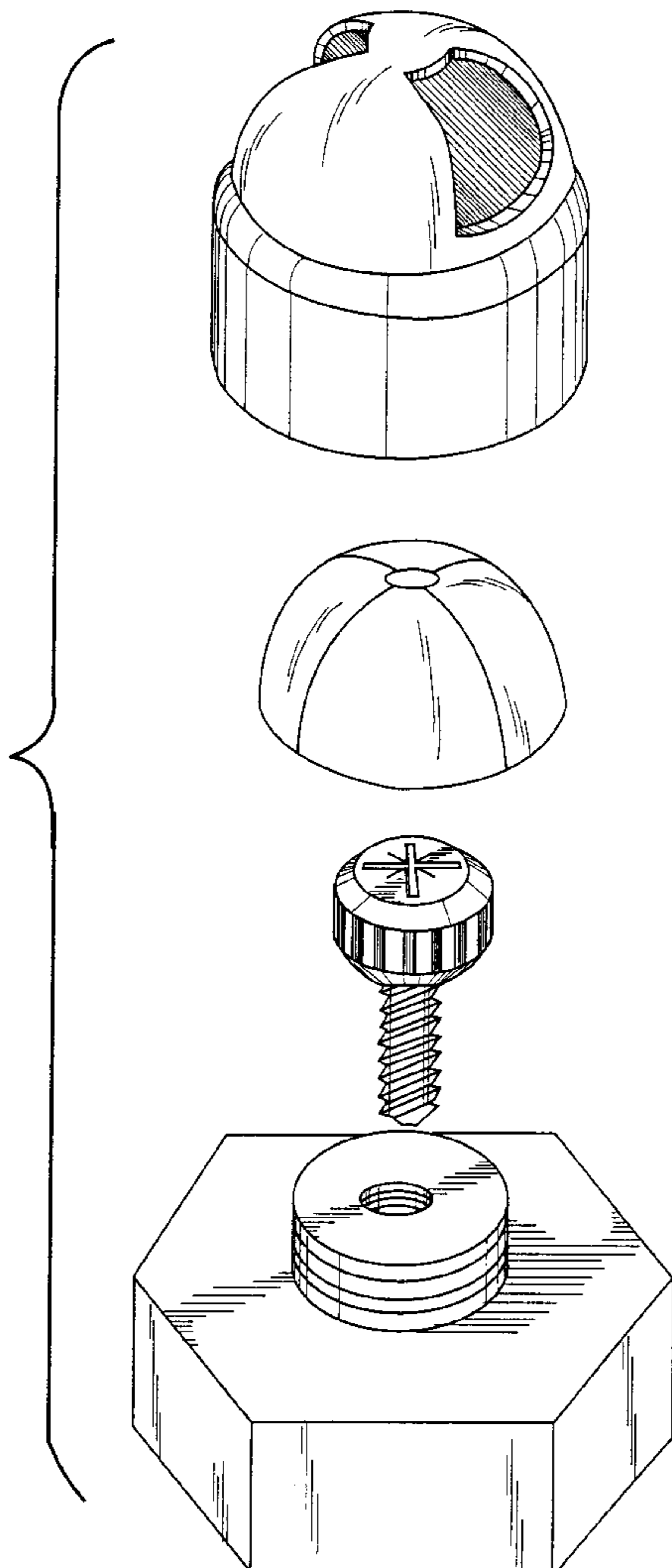
[57] **CLAIM**

The ornamental design for a wheel safety cap, as shown and described.

DESCRIPTION

FIG. 1 is a view of the front face of the wheel safety cap
FIG. 2 is a view of the reverse face of the wheel safety cap
FIG. 3 is a view of the right face of the wheel safety cap
FIG. 4 is a view of the left face of the wheel safety cap
FIG. 5 is a view of the top face of the wheel safety cap,
shown in alternate position of use
FIG. 6 is a view of the bottom face of the wheel safety cap,
shown in alternate position of use; and,
FIG. 7 is a perspective view of the wheel safety cap.

1 Claim, 7 Drawing Sheets



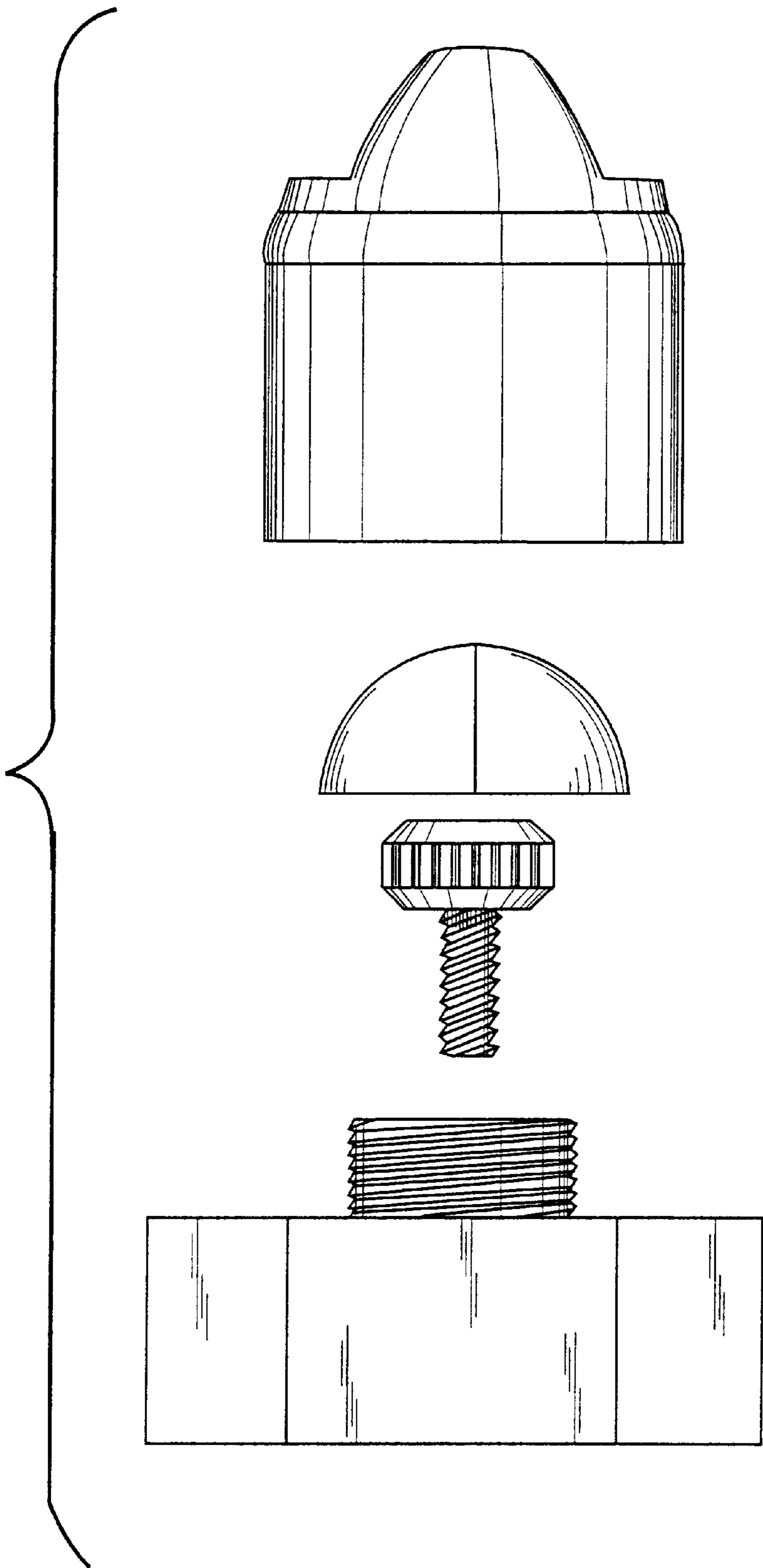


Fig. 1

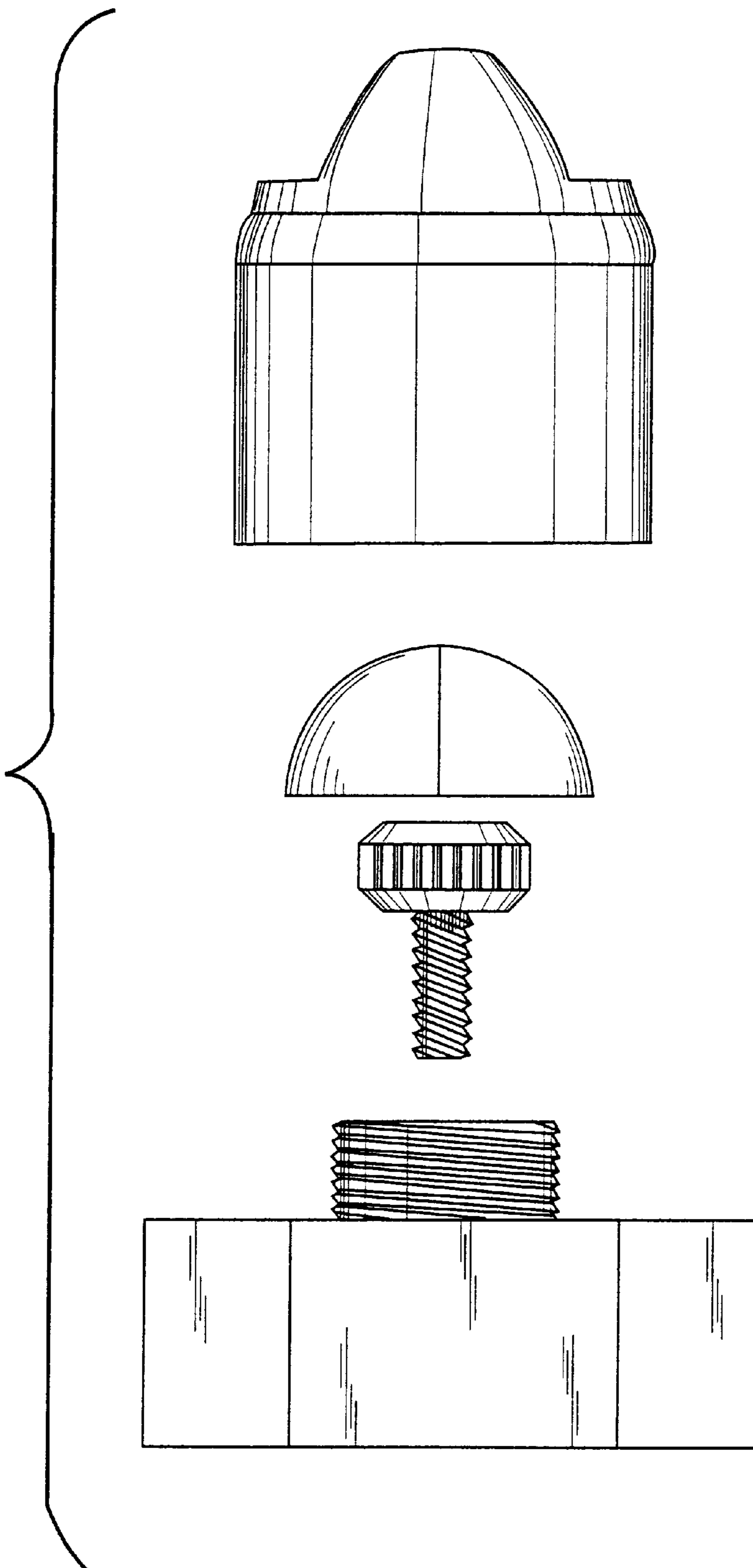


Fig. 2

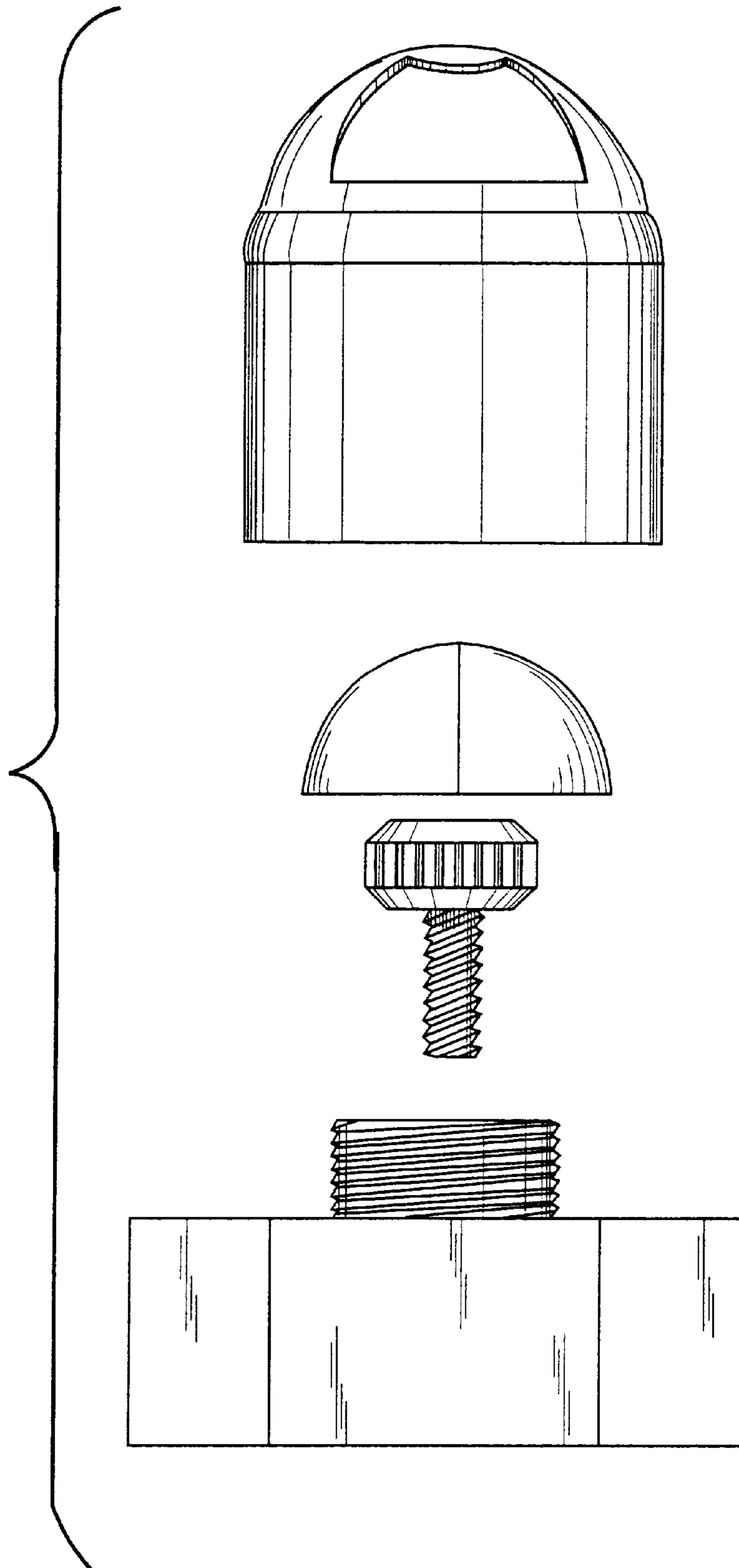


Fig. 3

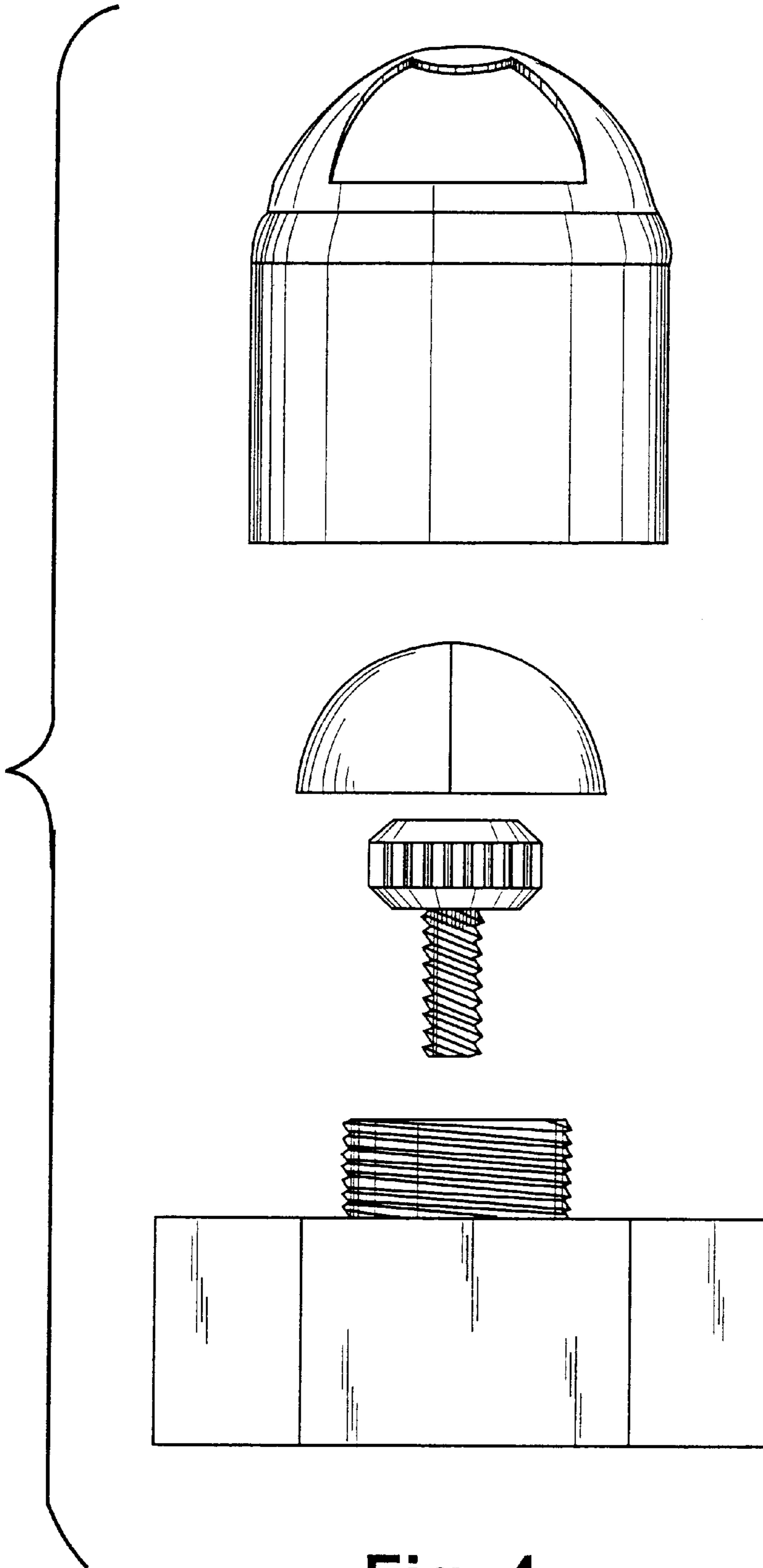


Fig. 4

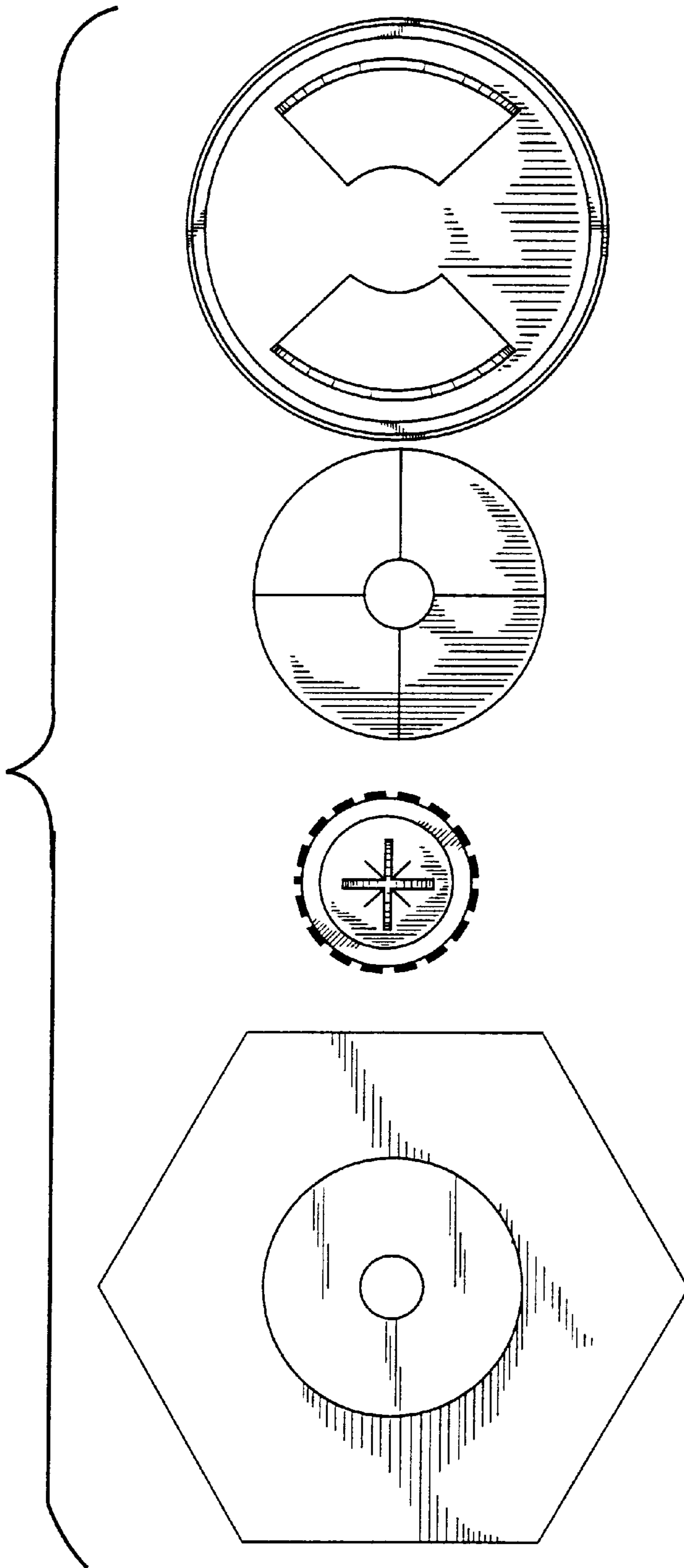


Fig. 5

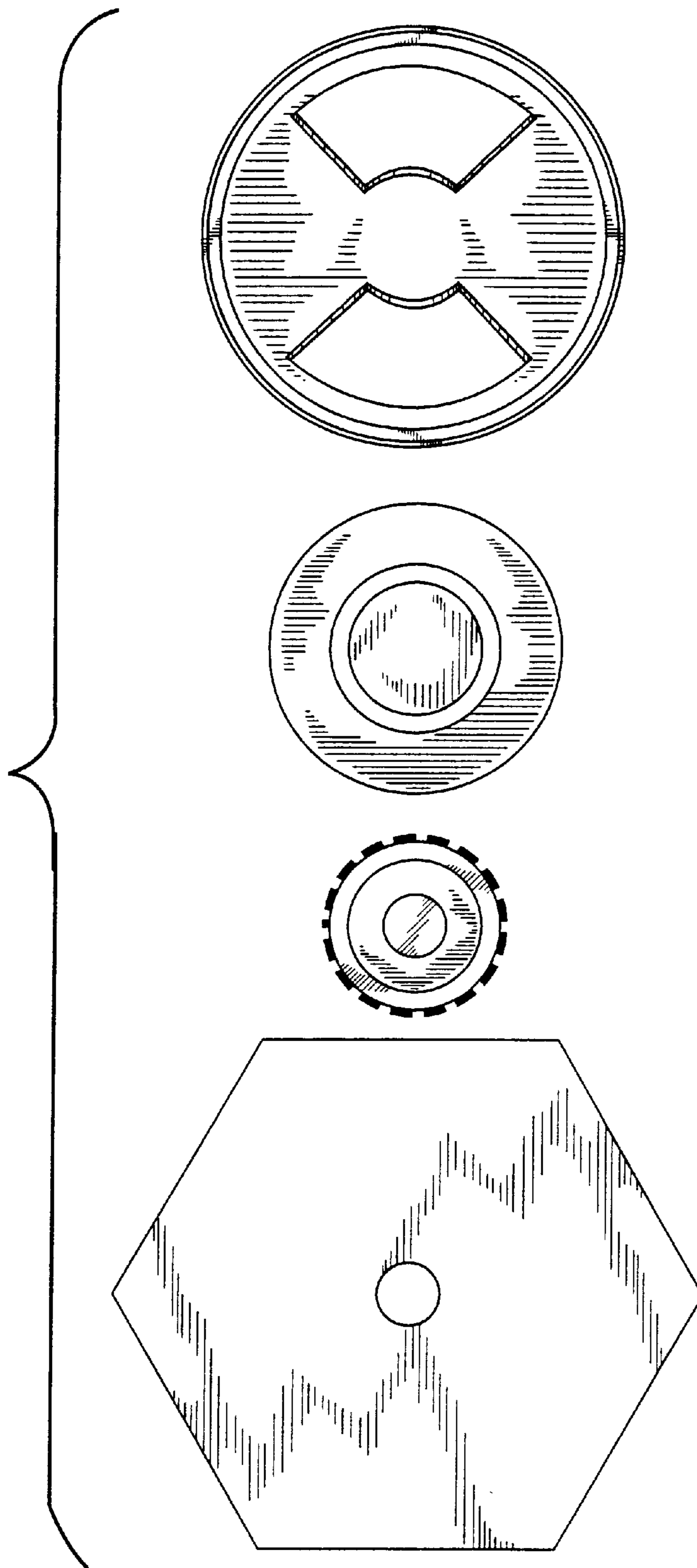


Fig. 6

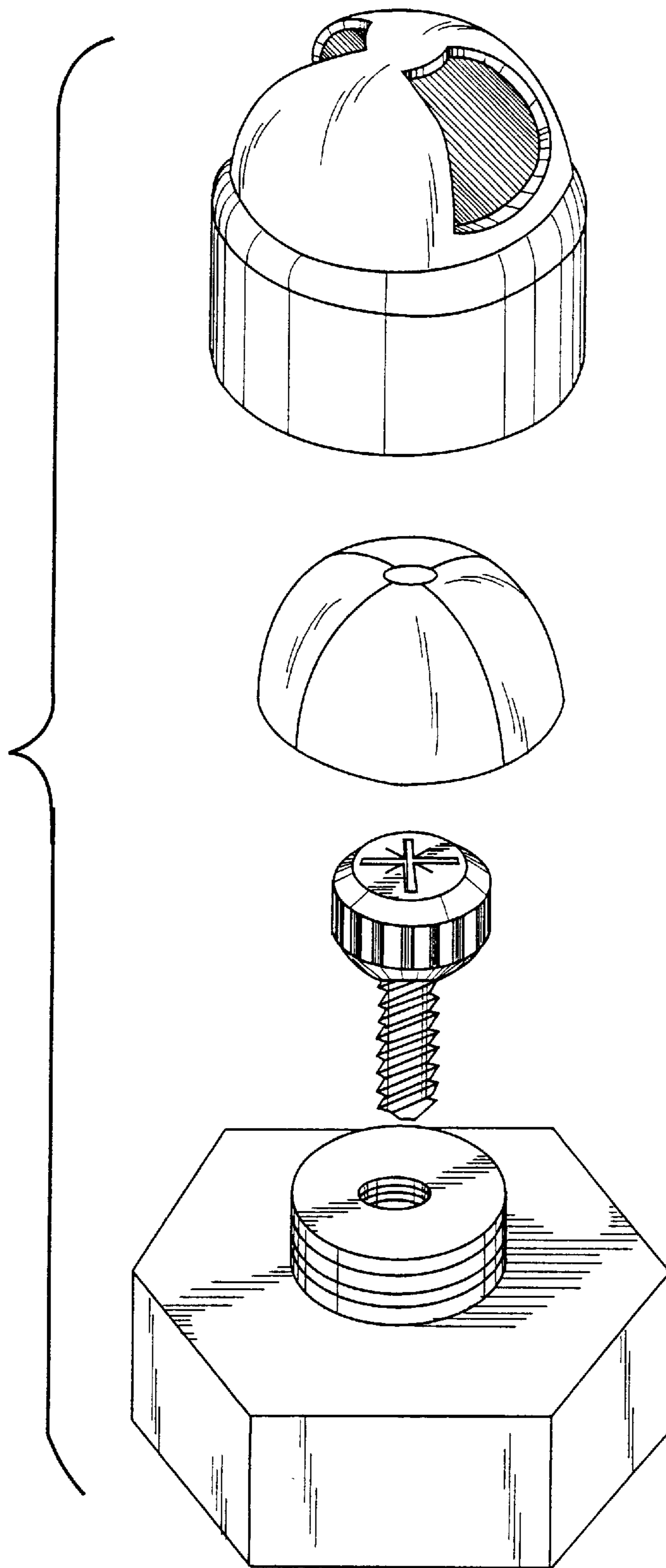


Fig. 7