



US00D420308S

United States Patent [19]

[11] **Patent Number: Des. 420,308**

Turok

[45] **Date of Patent: ** Feb. 8, 2000**

[54] **MOUNTABLE ONE-PIECE MOLDED
AUTOMOTIVE SPOTTING DEVICE**

[76] Inventor: **Sol Y. Turok**, 211 California Ave.,
#503, Santa Monica, Calif. 90403

[**] Term: **14 Years**

[21] Appl. No.: **29/091,840**

[22] Filed: **Aug. 6, 1998**

[51] **LOC (7) Cl. 11-05**

[52] **U.S. Cl. D11/166; D11/168; D11/182**

[58] **Field of Search D11/166, 165,
D11/168, 181, 182, 184; D10/109; D20/41,
19; D7/300.2; 116/173, 63 R; 248/477;
40/598, 591**

[56] **References Cited**

U.S. PATENT DOCUMENTS

D. 220,411	4/1971	Perlmutter	D10/109
D. 239,926	5/1976	Baker	D11/168 X
D. 274,412	6/1984	Anderson	D10/109
D. 290,822	7/1987	McEntee	D11/166
D. 313,214	12/1990	Phillips et al.	D10/109 X

D. 399,446	10/1998	Stillwell	D10/109
2,856,891	10/1958	Solomon	40/591 X
3,104,644	9/1963	Burton	116/173
3,715,821	2/1973	Hawes	40/591
3,762,360	10/1973	Hawes	40/591
5,247,900	9/1993	Sobczak	116/173 X
5,343,825	9/1994	Gazecimeon et al.	116/173
5,485,700	1/1996	Van Vranken	116/173
5,740,622	4/1998	Martin	116/173 X

Primary Examiner—M. N. Pandozzi
Attorney, Agent, or Firm—Cisco & Thomas LP

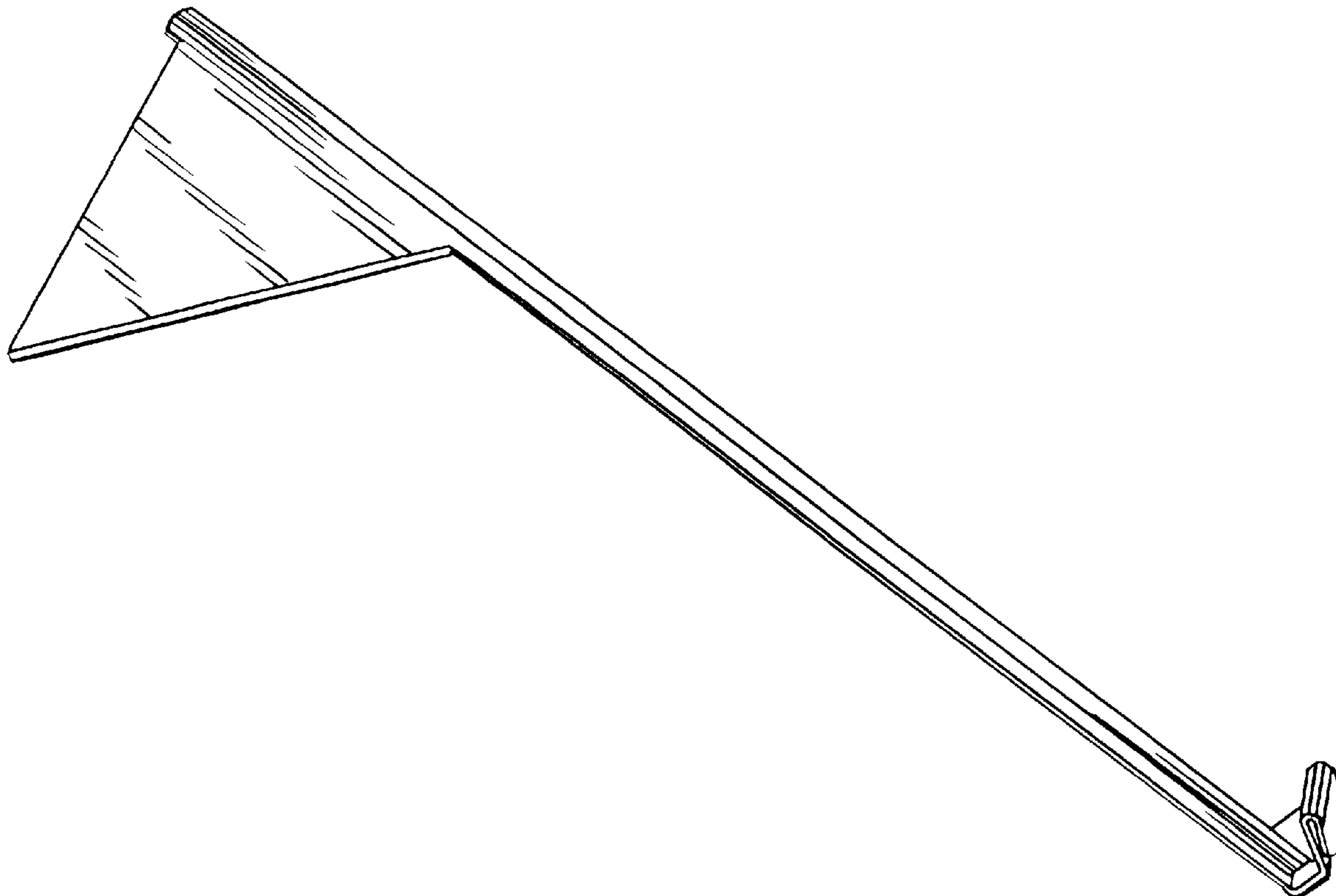
[57] **CLAIM**

The ornamental design for a mountable one-piece molded automotive spotting device, as shown and described.

DESCRIPTION

FIG. 1 is a perspective view of my new design;
FIG. 2 is a front elevational view thereof;
FIG. 3 is a rear side elevational view thereof;
FIG. 4 is a left side elevational view thereof;
FIG. 5 is a right side elevational view thereof;
FIG. 6 is a top plan view thereof; and,
FIG. 7 is a bottom plan view thereof.

1 Claim, 2 Drawing Sheets



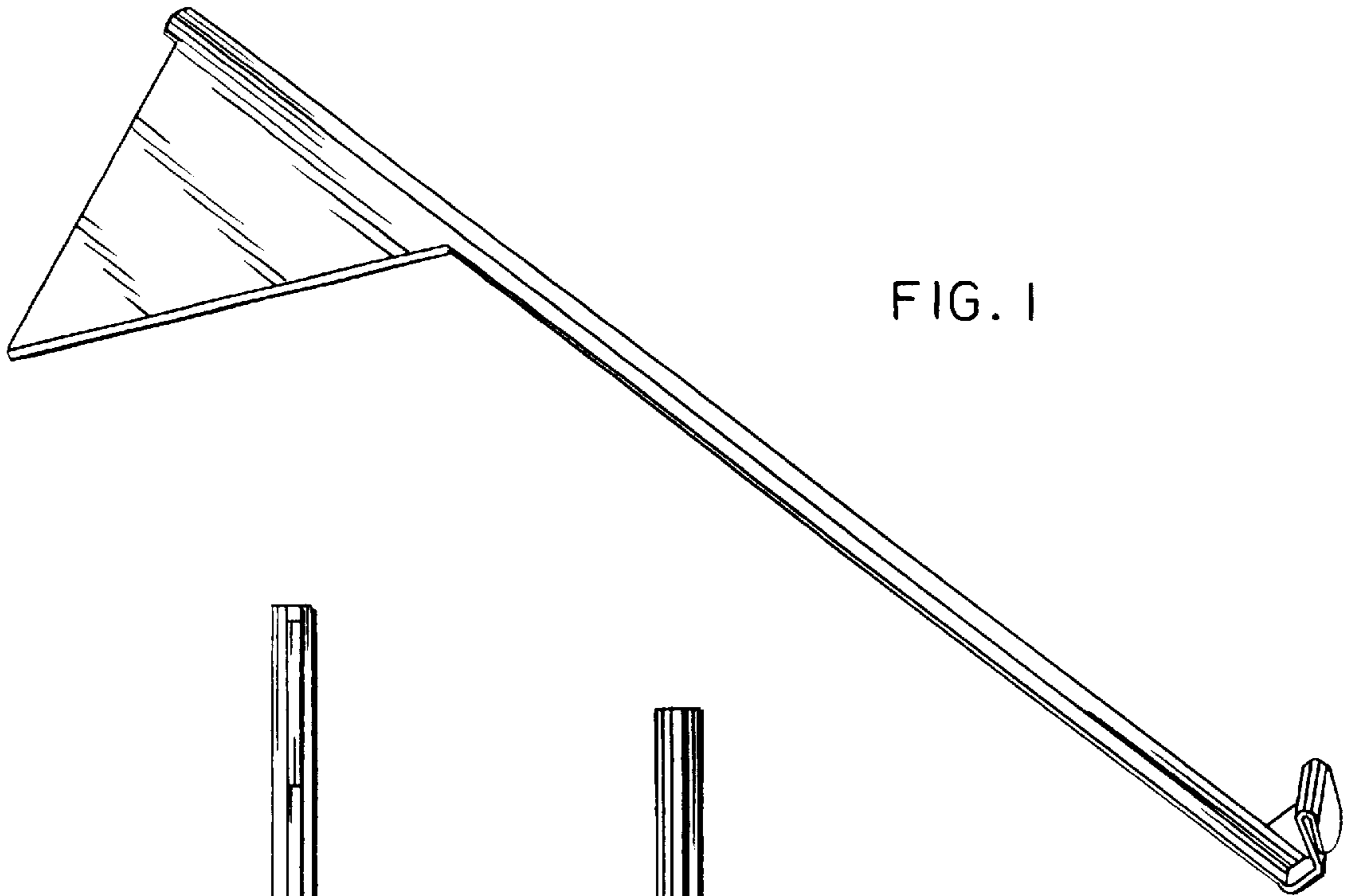


FIG. 1

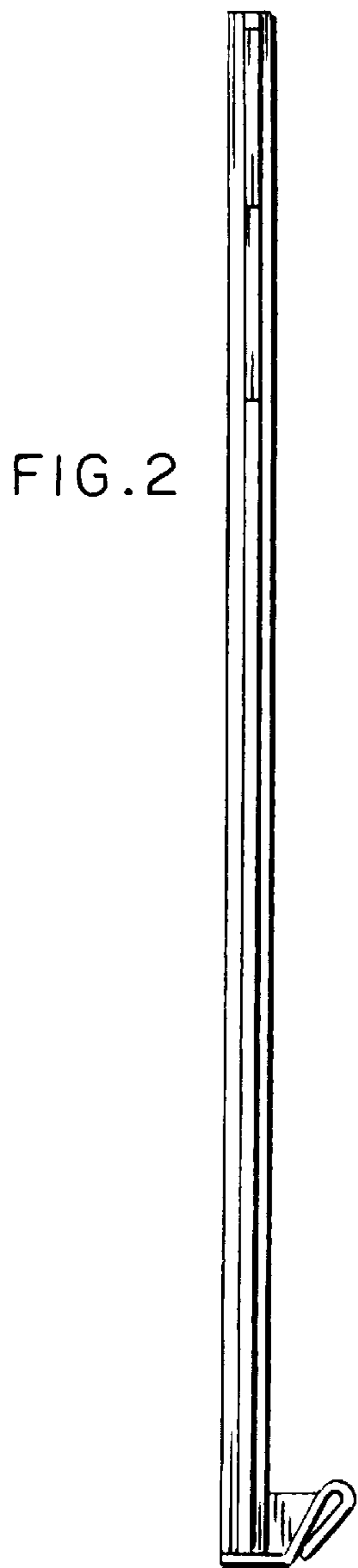


FIG. 2



FIG. 3

FIG. 4

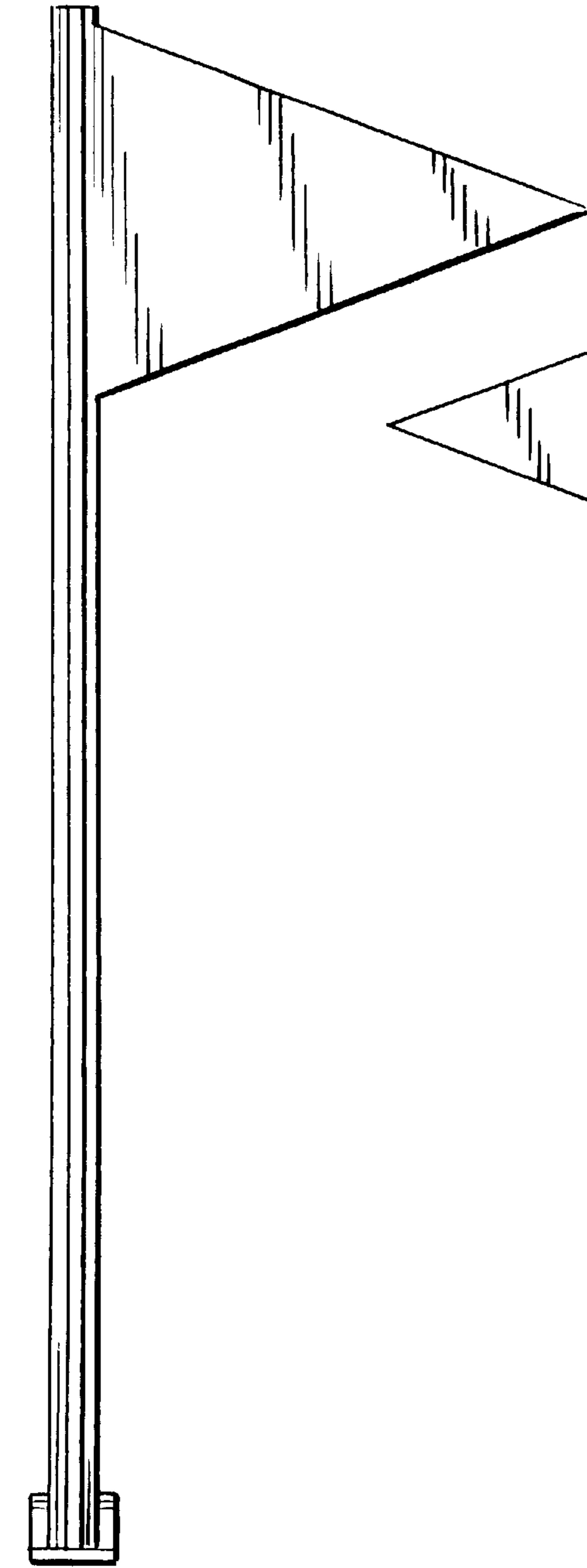


FIG. 5



FIG. 6



FIG. 7

