



US00D420305S

**United States Patent** [19]  
**Rossi**

[11] **Patent Number: Des. 420,305**  
[45] **Date of Patent: \*\* Feb. 8, 2000**

[54] **LINK FOR JEWELRY CHAIN**

[76] Inventor: **Silvano Rossi**, Via Carlassare, 36040  
Brogliono (Vicenza), Italy

[\*\*] Term: **14 Years**

[21] Appl. No.: **29/090,426**

[22] Filed: **Jul. 8, 1998**

[30] **Foreign Application Priority Data**

Jan. 8, 1998 [IT] Italy ..... VI98O0001

[51] **LOC (7) Cl.** ..... **11-01**

[52] **U.S. Cl.** ..... **D11/93**

[58] **Field of Search** ..... D11/1-27, 35,  
D11/89, 90, 93; 63/1.1-11, 21

[56] **References Cited**

**U.S. PATENT DOCUMENTS**

D. 172,913 8/1954 Weinacker ..... D11/13

**OTHER PUBLICATIONS**

All Ears Catalog—Item featured lower half of p. 20.

*Primary Examiner*—Ralf Seifert

*Attorney, Agent, or Firm*—R. Neil Sudol; Henry D.  
Coleman

[57] **CLAIM**

The ornamental design for the link for jewelry chain, as shown and described.

**DESCRIPTION**

FIG. 1 is a front elevational view of a link for jewelry chain, showing my new design and adjacent links of a jewelry chain in phantom lines, a back elevational view being identical to the front elevational view;

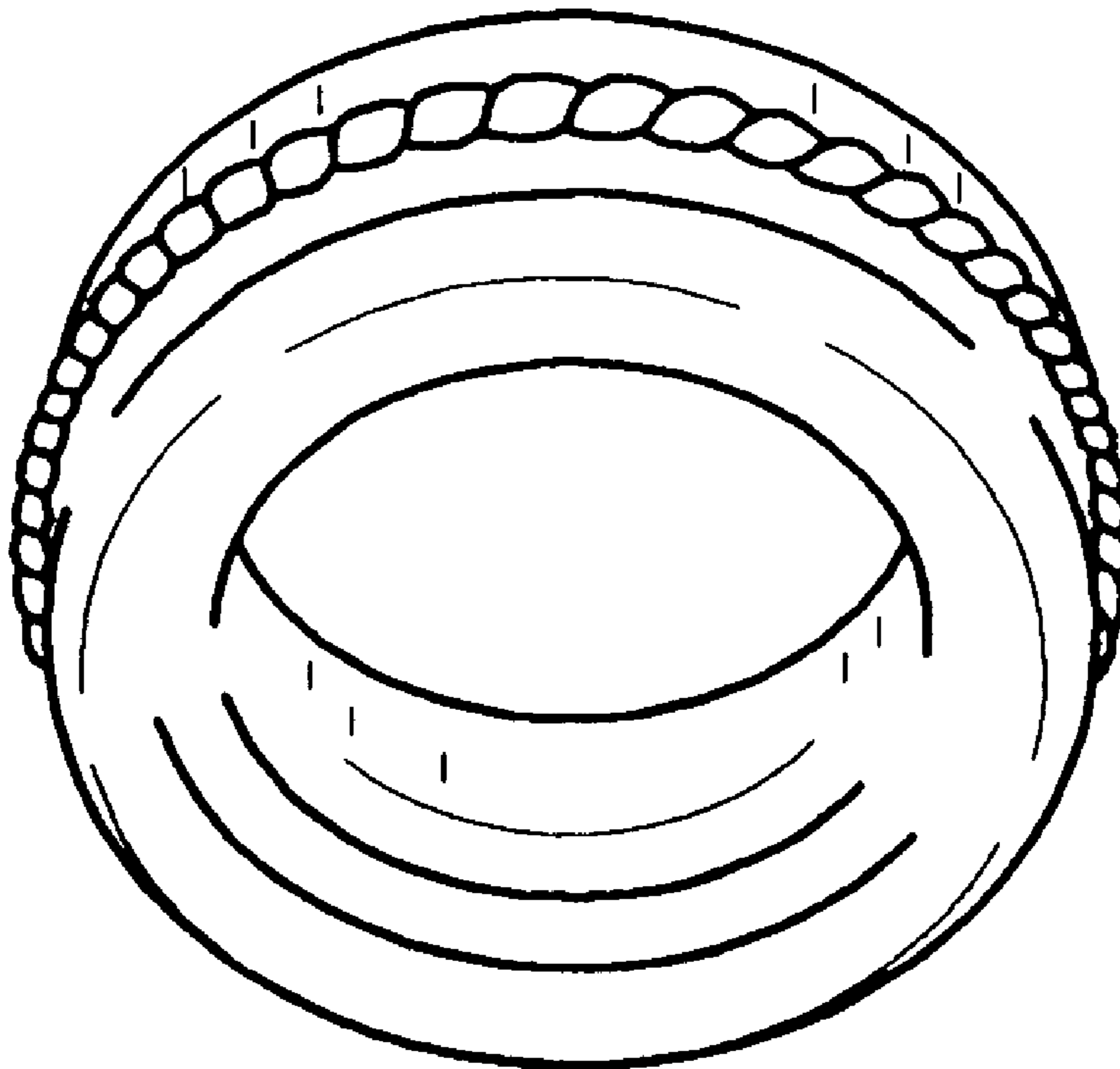
FIG. 2 is a top plan view thereof, showing adjacent links to a jewelry chain in phantom lines, a bottom plan view being identical to the top plan view;

FIG. 3 is a left side elevational view thereof, showing my new design and an adjacent link of a jewelry chain in phantom lines, a right side elevational view being identical to the left side elevational view;

FIG. 4 is front, top, and left side perspective view thereof; and,

FIG. 5 is a perspective view of a jewelry chain incorporating a plurality of links each being a link for jewelry chain as described and illustrated herein.

**1 Claim, 2 Drawing Sheets**



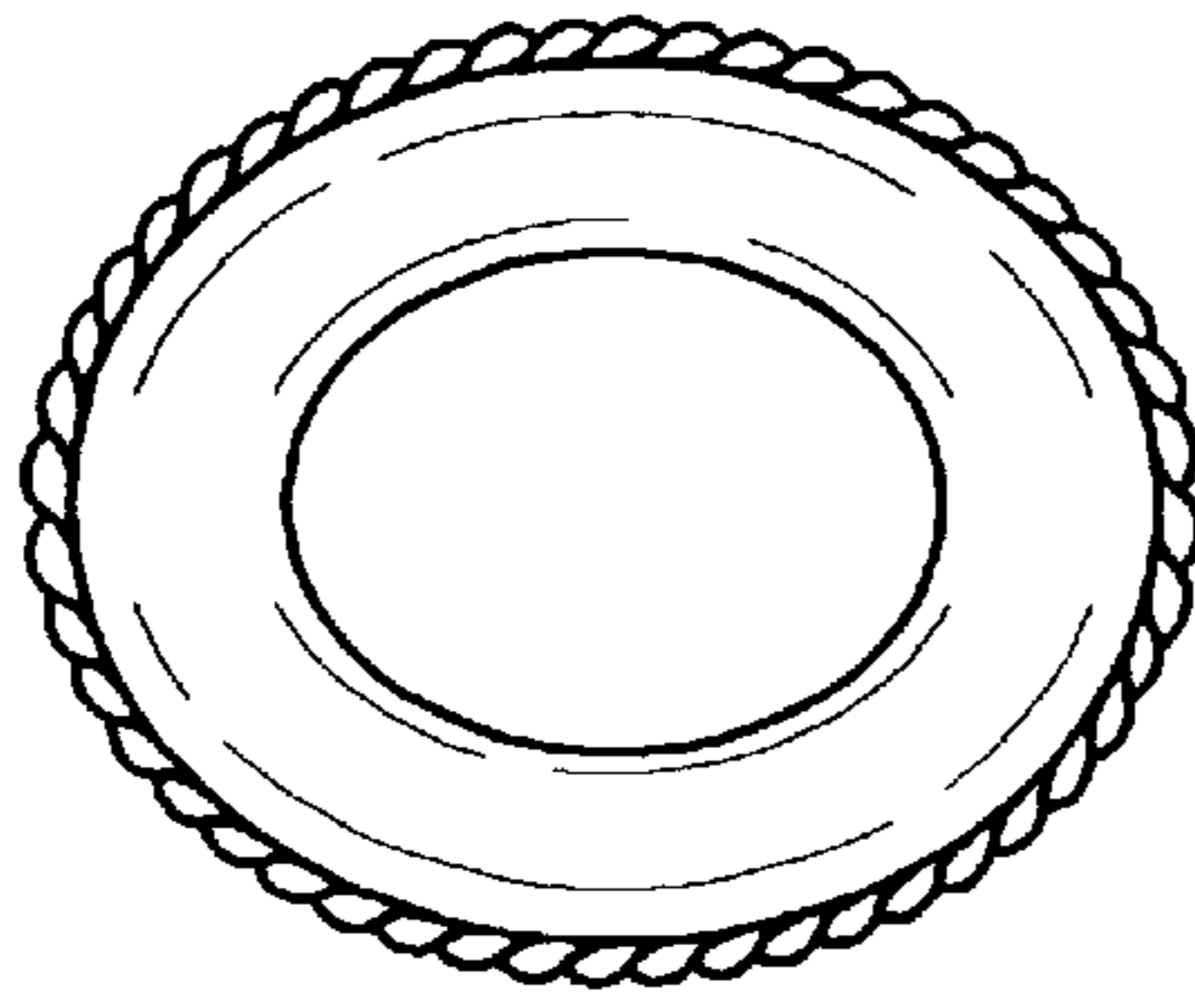


FIG. 1

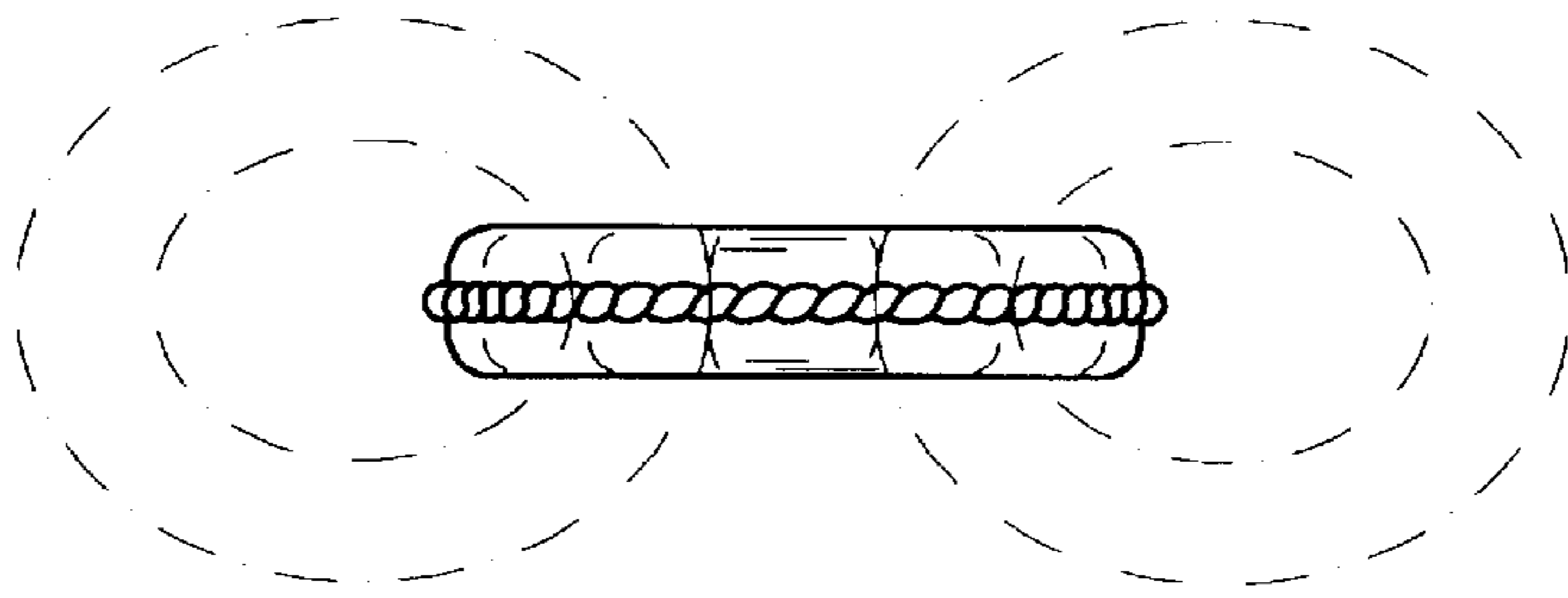


FIG. 2

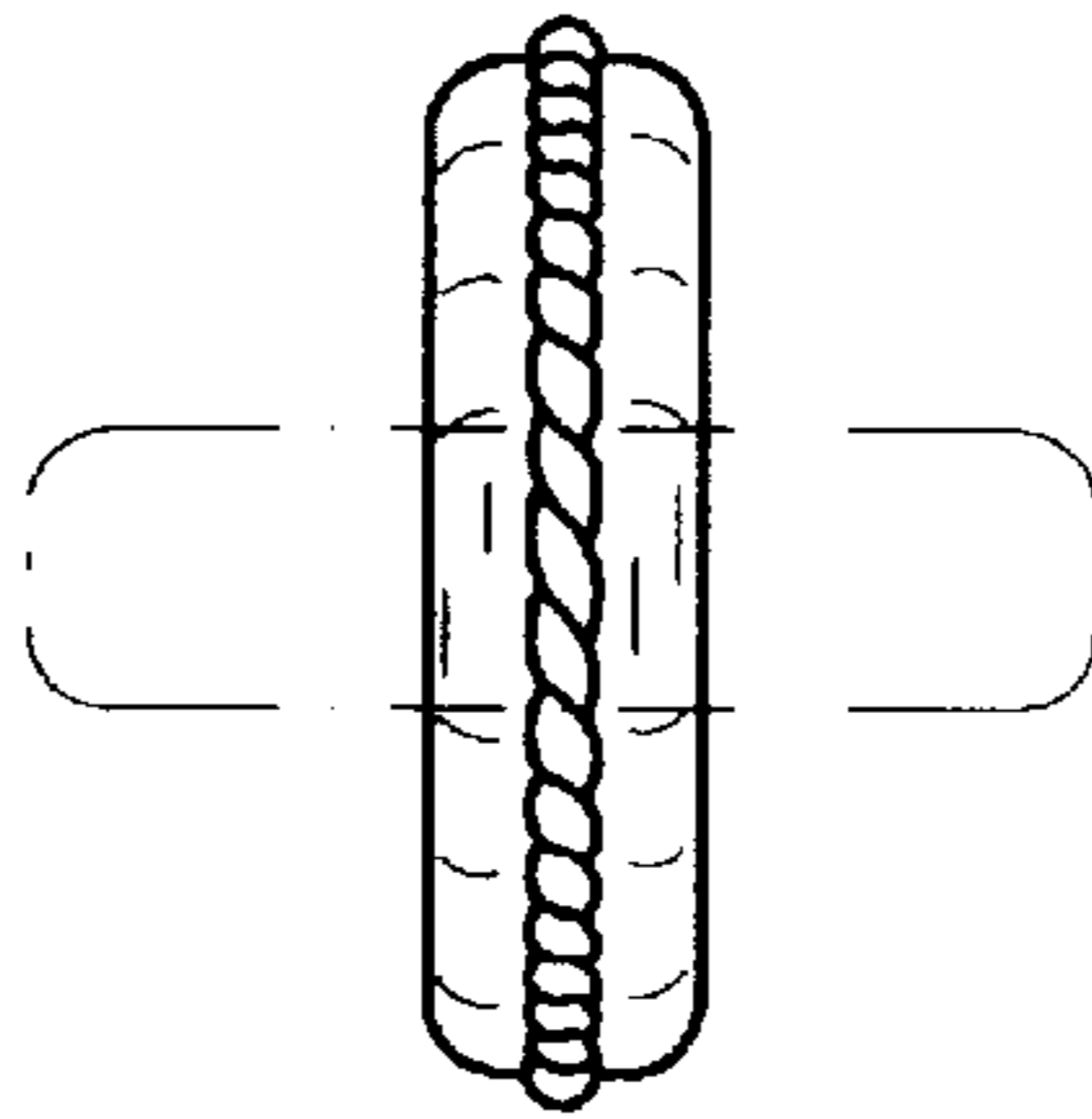


FIG. 3

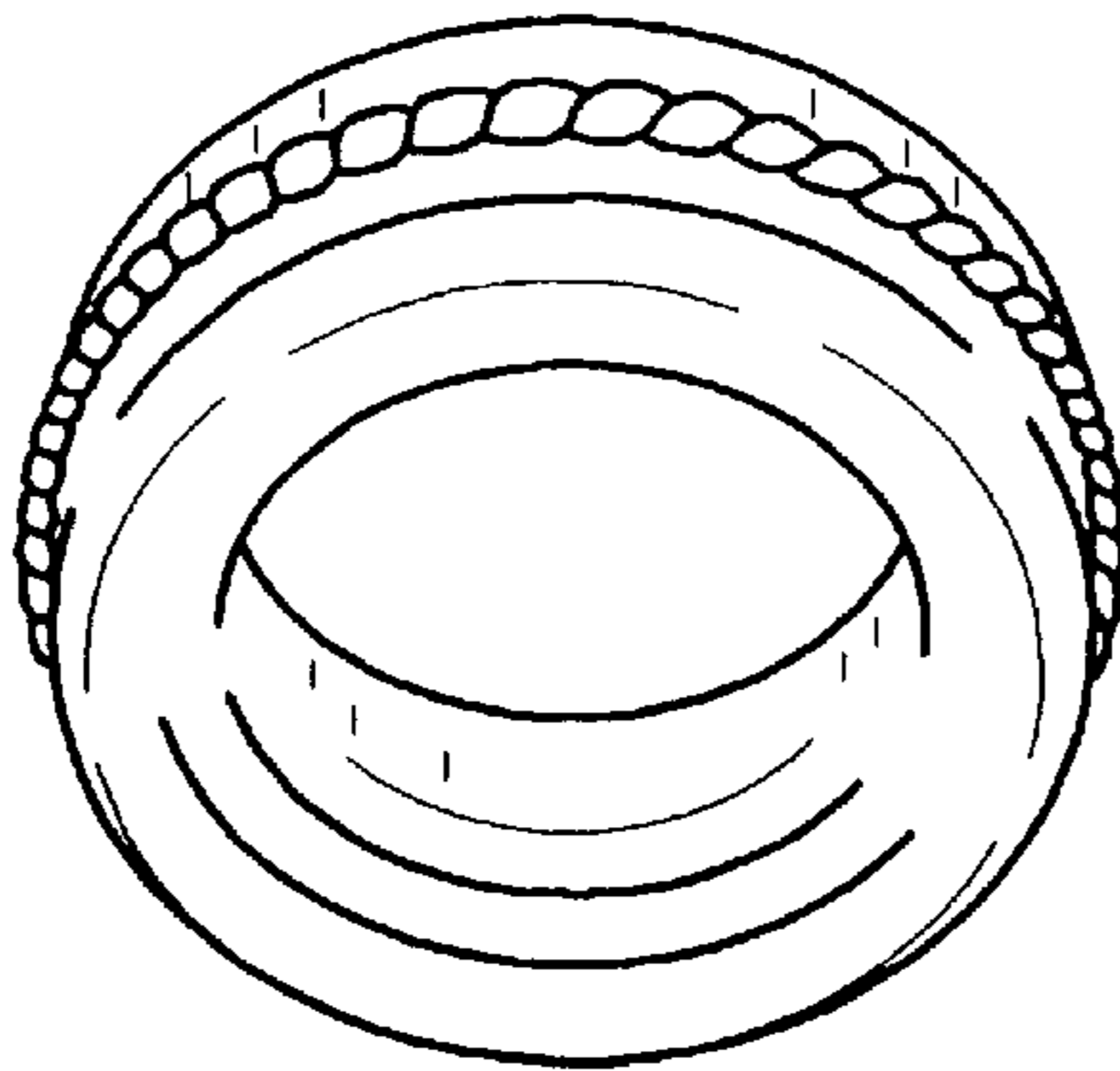


FIG. 4

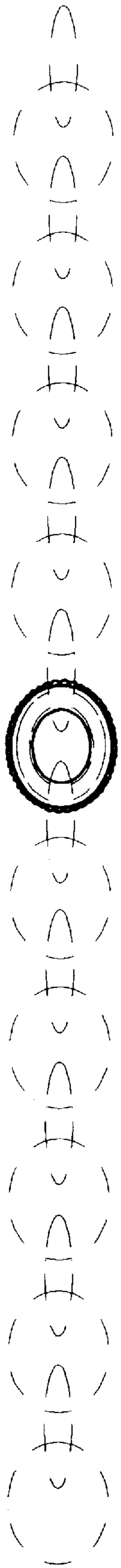


FIG. 5