



US00D420302S

United States Patent [19]
Barnhart

[11] **Patent Number: Des. 420,302**
[45] **Date of Patent: ** Feb. 8, 2000**

[54] **MARKER LIGHT**

[75] Inventor: **Leslie C. Barnhart**, Edmond, Okla.

[73] Assignee: **Panelite, Inc.**, Oklahoma City, Okla.

[**] Term: **14 Years**

[21] Appl. No.: **29/102,245**

[22] Filed: **Mar. 19, 1999**

[51] **LOC (7) Cl.** **10-05**

[52] **U.S. Cl.** **D10/113**; D26/28

[58] **Field of Search** D26/60, 61, 63,
D26/74, 118, 119, 28-36; 362/147, 364,
404, 432, 365, 376; D10/113

[56] **References Cited**

U.S. PATENT DOCUMENTS

D. 400,274 10/1998 Ziaylek, Jr. et al. D26/36

D. 411,640 6/1999 Zueken et al. D26/74

Primary Examiner—Marcus A. Jackson
Attorney, Agent, or Firm—Gates & Cooper

[57] **CLAIM**

The ornamental design for a marker light, as shown and described.

DESCRIPTION

FIG. 1 is a front plan view of the marker light showing one embodiment of my new design;

FIG. 2 is view of the top thereof, with the broken line showing for illustrative purposes only and forming no part of the claimed design;

FIG. 3 a view of the right side thereof;

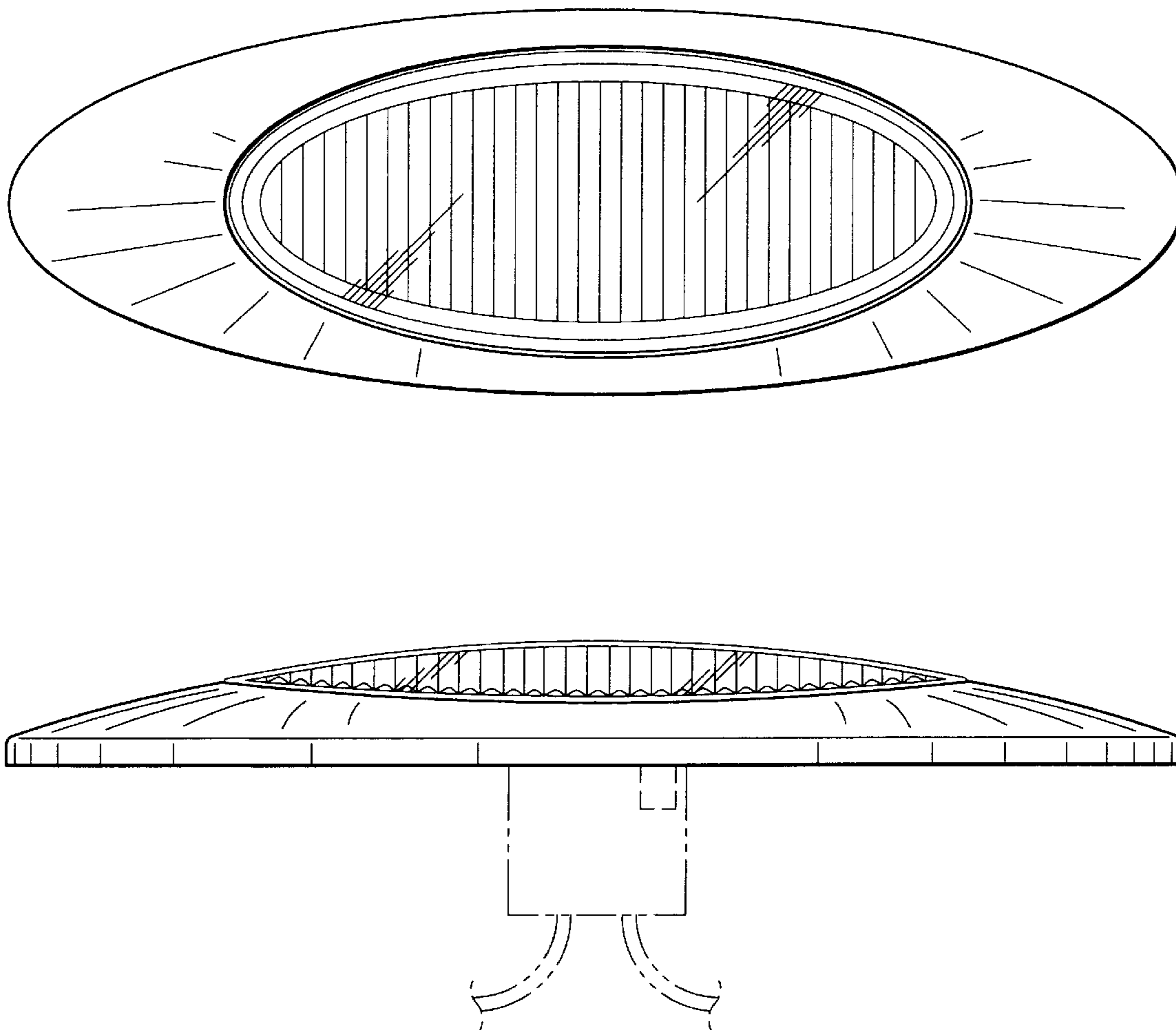
FIG. 4 is a top plan of a second embodiment of the marker light;

FIG. 5 is a side view of the second embodiment of the marker light; and,

FIG. 6 is a side view of the second embodiment of the marker light.

The bottom and left sides of the marker light are symmetrical with the top and right sides, respectively, and the back of the marker light is plain and unornamental.

1 Claim, 2 Drawing Sheets



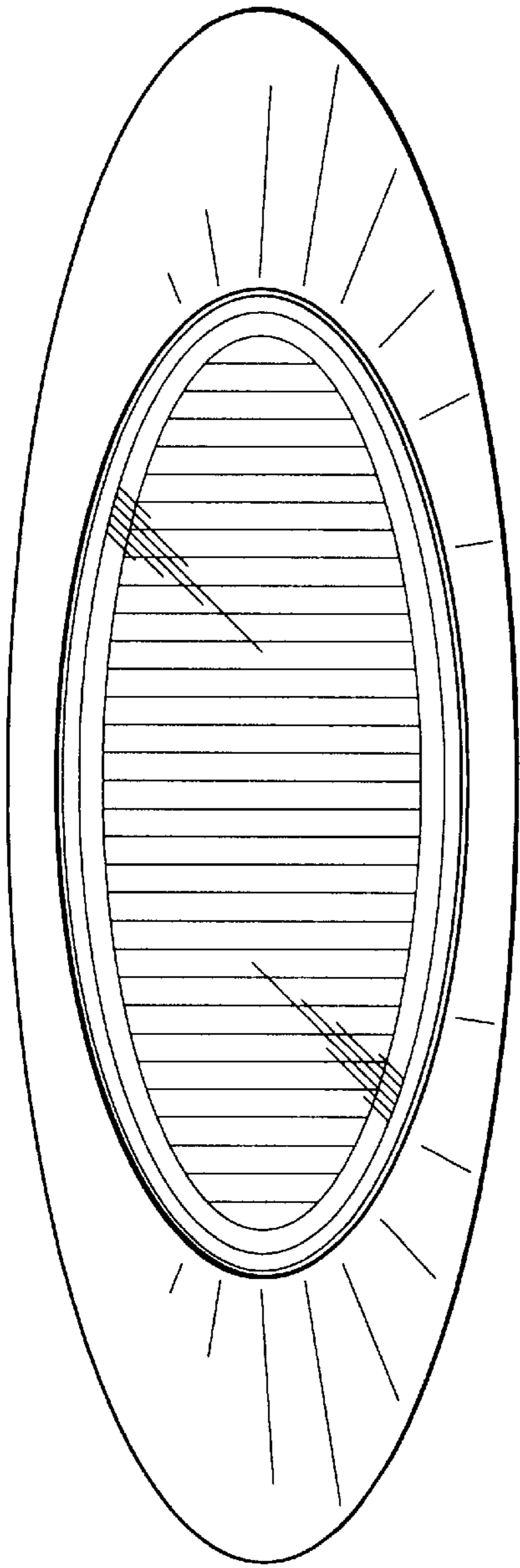


FIG. 1

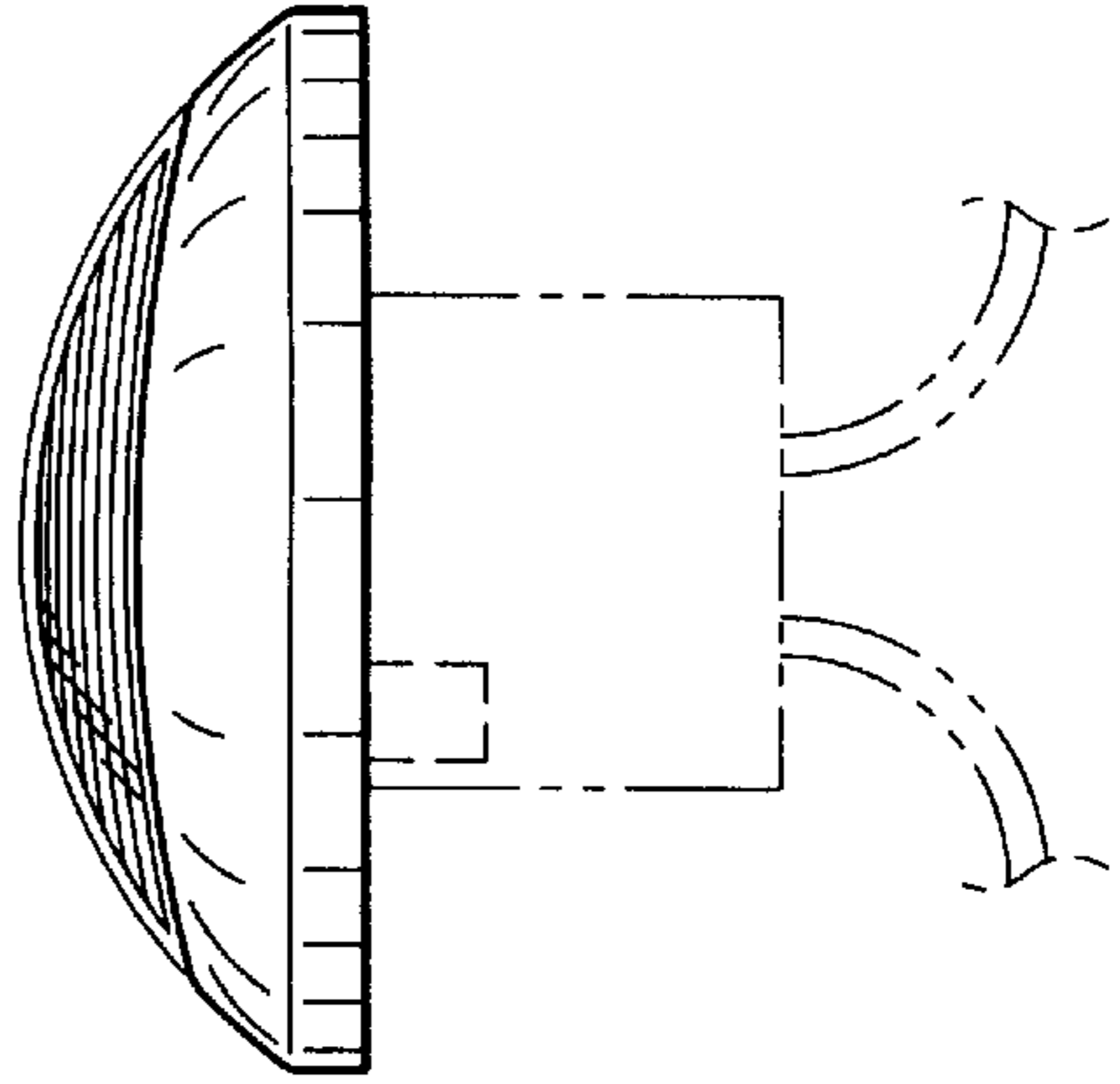


FIG. 3

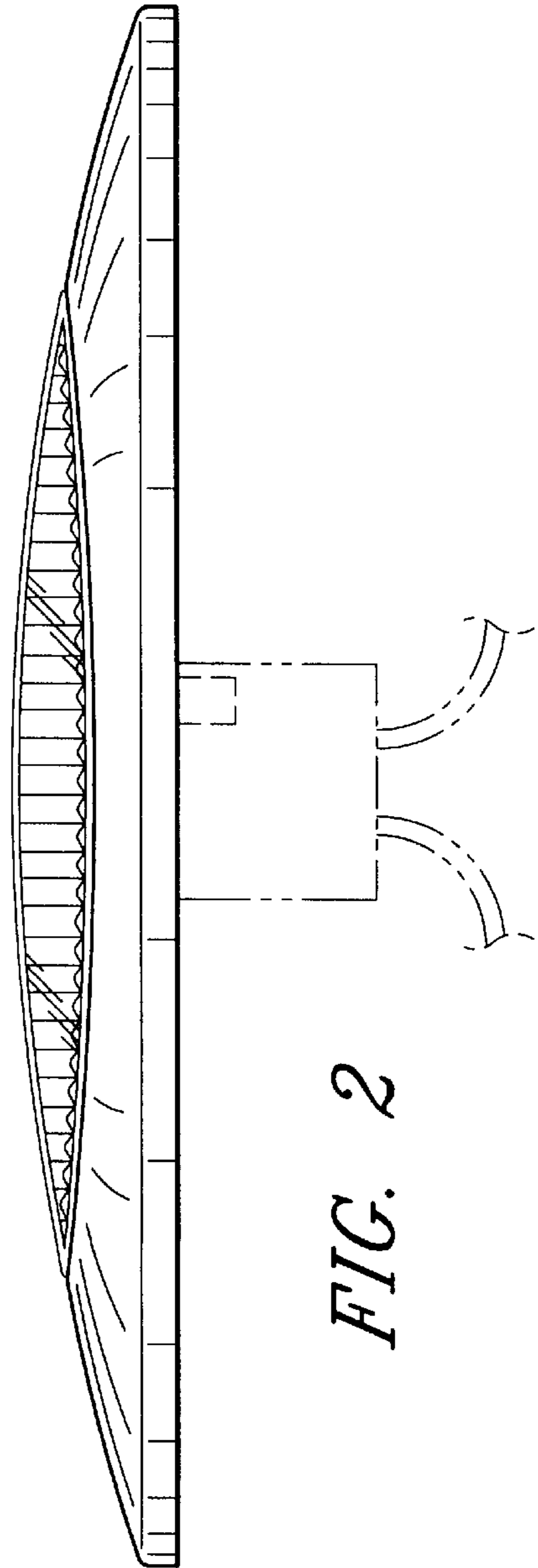


FIG. 2

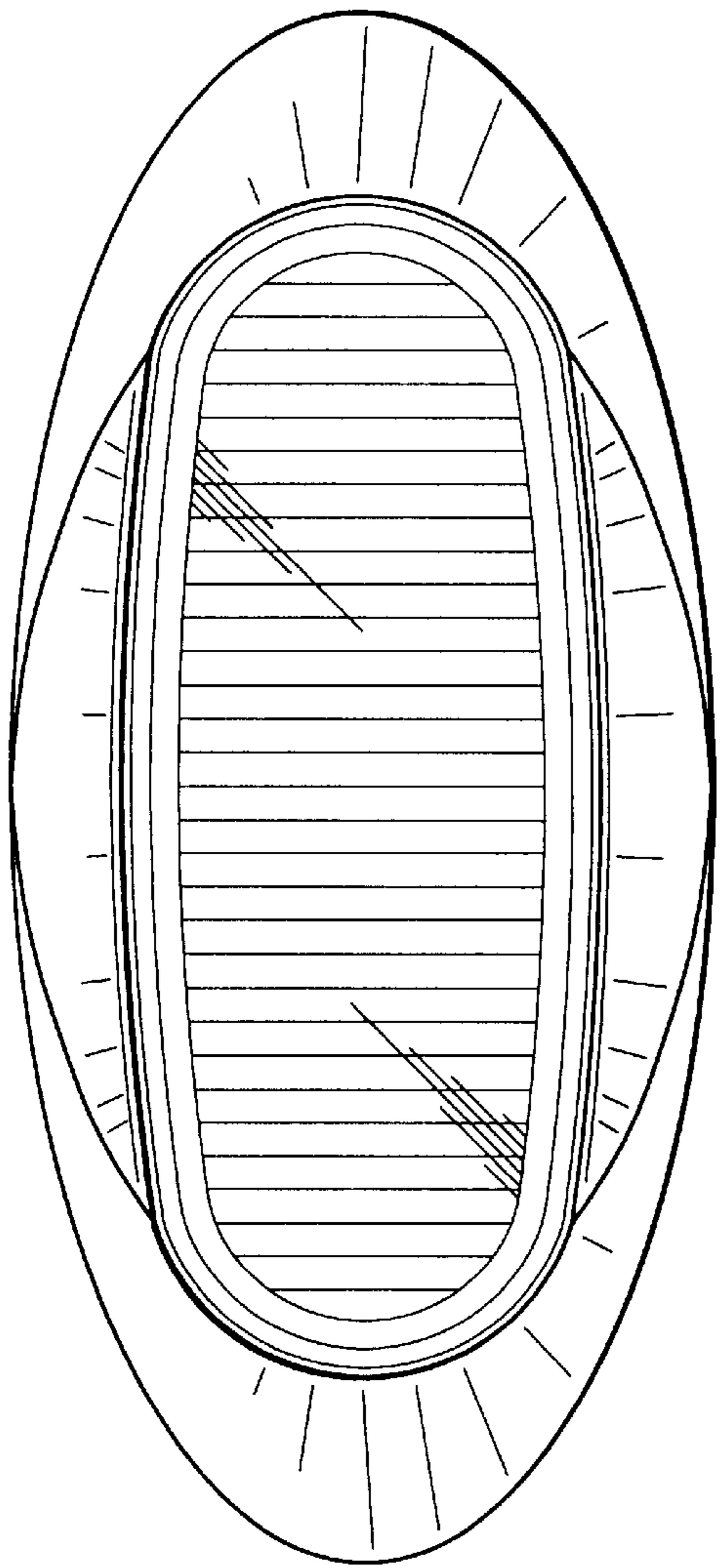


FIG. 4

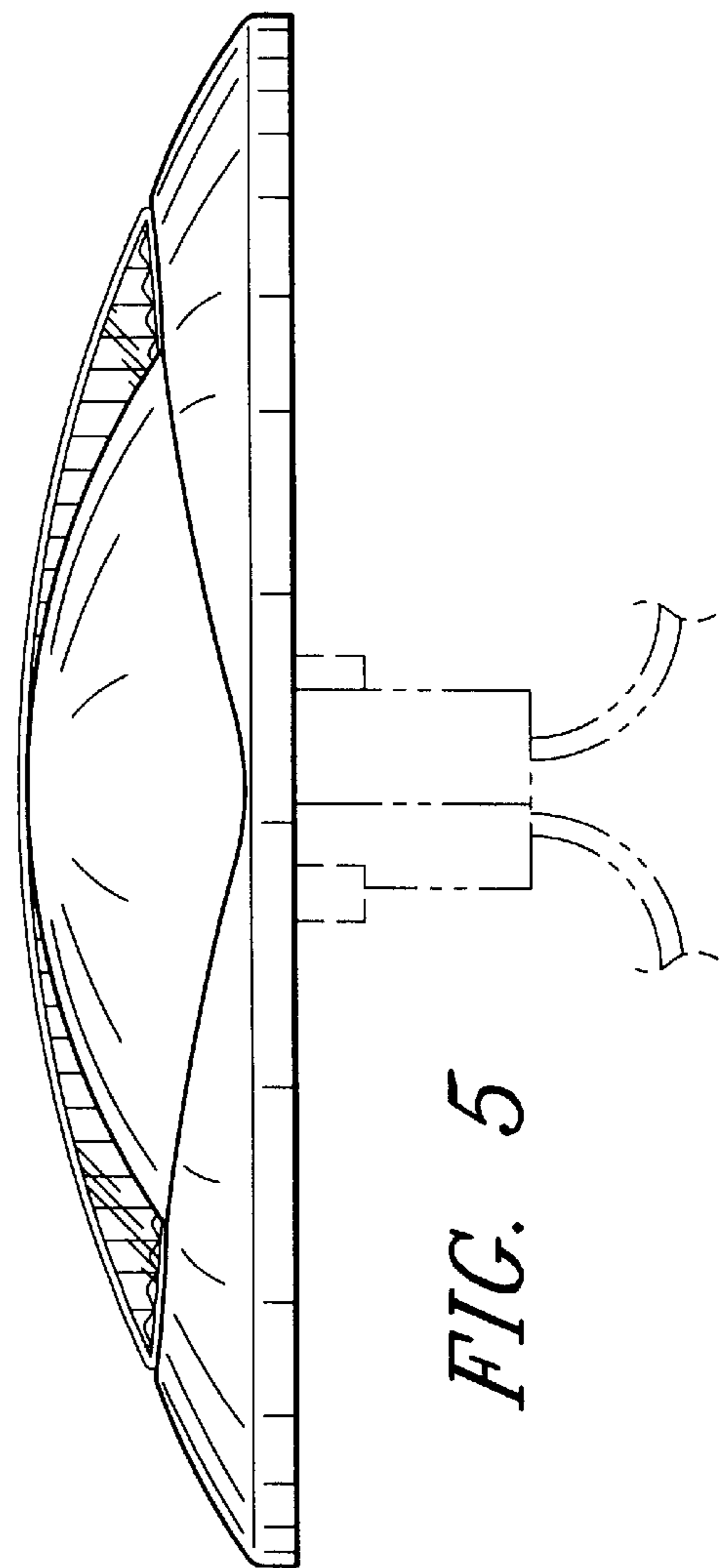


FIG. 5

FIG. 6

