



US00D420300S

# United States Patent [19] George

[11] **Patent Number: Des. 420,300**

[45] **Date of Patent: \*\* Feb. 8, 2000**

[54] **GAS REGULATOR COVER**

5,006,076 4/1991 Robinson ..... 439/146  
5,244,399 9/1993 Williams et al. .... 439/146

[76] Inventor: **Philip L. George**, 1117 Lake Shore Dr.,  
Escanaba, Mich. 49829

*Primary Examiner*—Antoine Duval Davis  
*Attorney, Agent, or Firm*—Young & Basile, PC

[\*\*] Term: **14 Years**

### [57] CLAIM

[21] Appl. No.: **29/091,621**

The ornamental design for a gas regulator cover, as shown and described.

[22] Filed: **Aug. 3, 1998**

### DESCRIPTION

[51] **LOC (7) Cl.** ..... **10-04**

[52] **U.S. Cl.** ..... **D10/103; D10/99**

[58] **Field of Search** ..... D10/99, 100, 103;  
174/17; 324/146, 149, 156, 110, 115, 119

FIG. 1 is a perspective view of the gas regulator cover of the present invention showing my new design;

FIG. 2 is a top plan view of the gas regulator cover of FIG. 1;

FIG. 3 is a rear elevational view of the gas regulator cover of FIG. 1;

FIG. 4 is a front elevational view of the gas regulator cover of FIG. 1;

FIG. 5 is a bottom plan view of the gas regulator cover of FIG. 1; and,

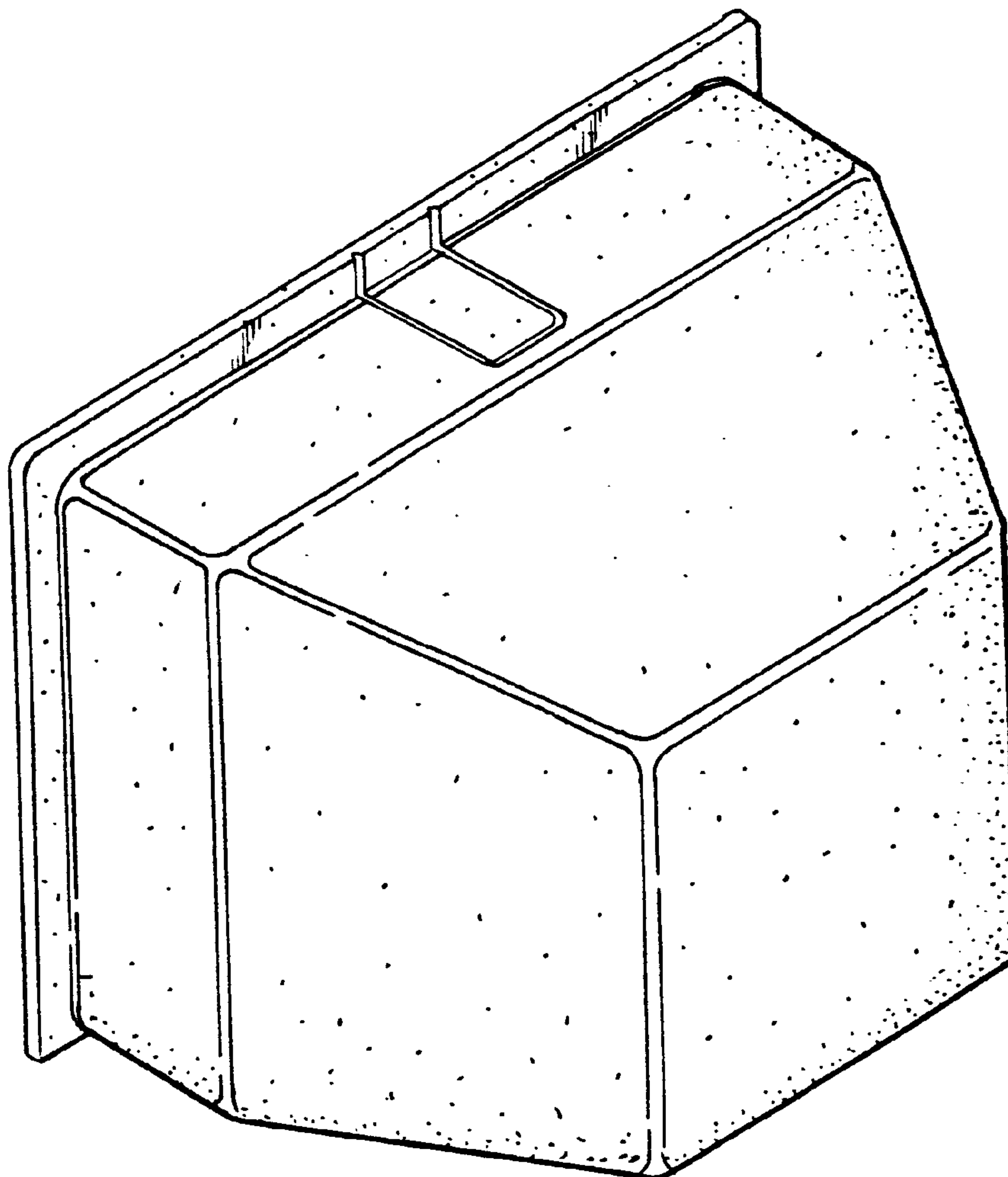
FIG. 6 is a side elevational view of the gas regulator cover of FIG. 1.

### [56] References Cited

#### U.S. PATENT DOCUMENTS

D. 28,309	2/1898	Marks .	
D. 92,691	7/1934	Abbott .	
D. 193,023	6/1962	Whitman .....	D52/6
D. 194,434	1/1963	Whitman .....	D52/6
D. 198,049	4/1964	Whitman .....	D52/6
D. 345,145	3/1994	Fogg et al. ....	D10/103 X
D. 358,560	5/1995	George .....	D10/103
D. 362,815	10/1995	Seeley .....	D10/103

**1 Claim, 2 Drawing Sheets**



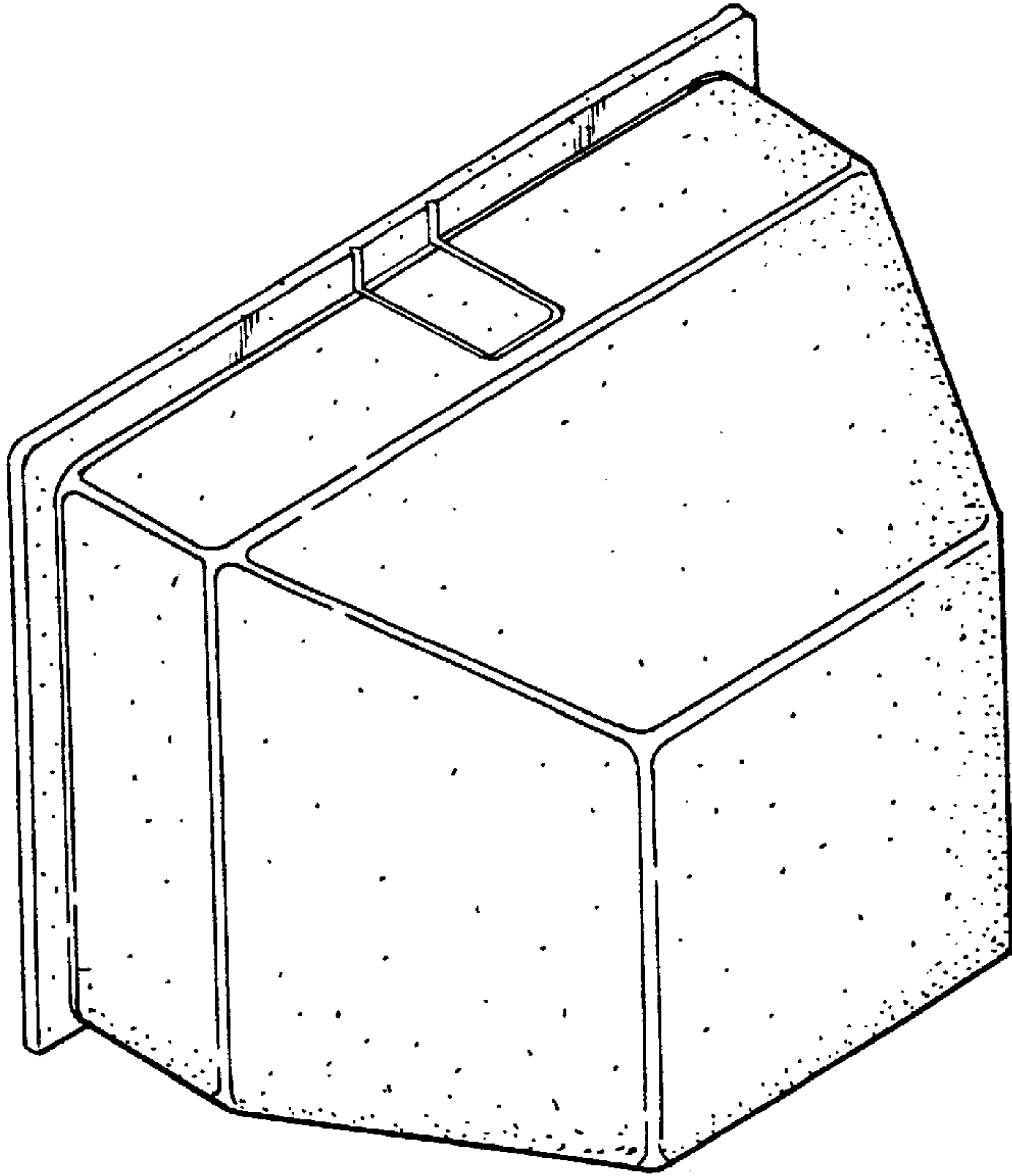


FIG - 1

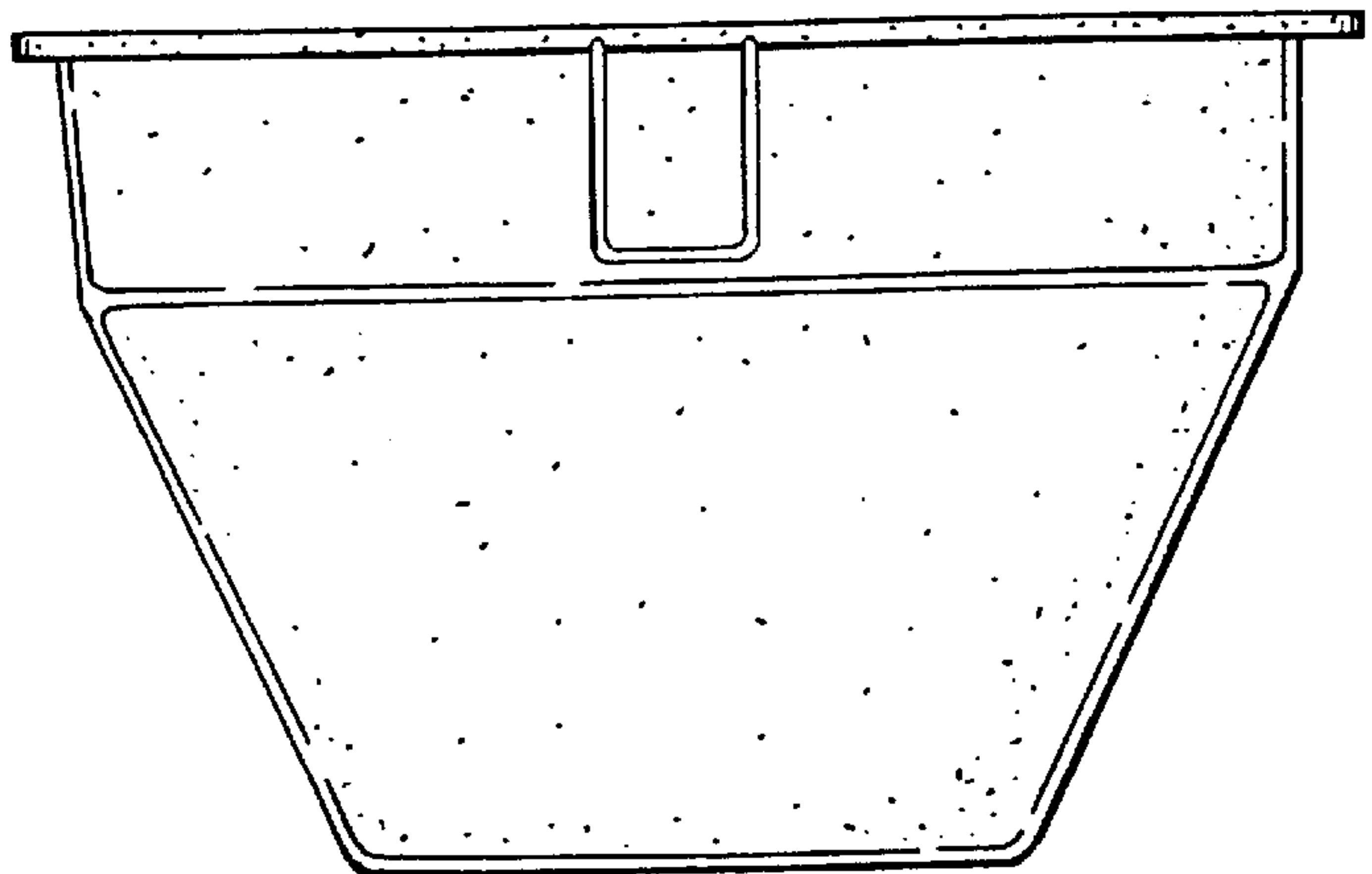


FIG - 2

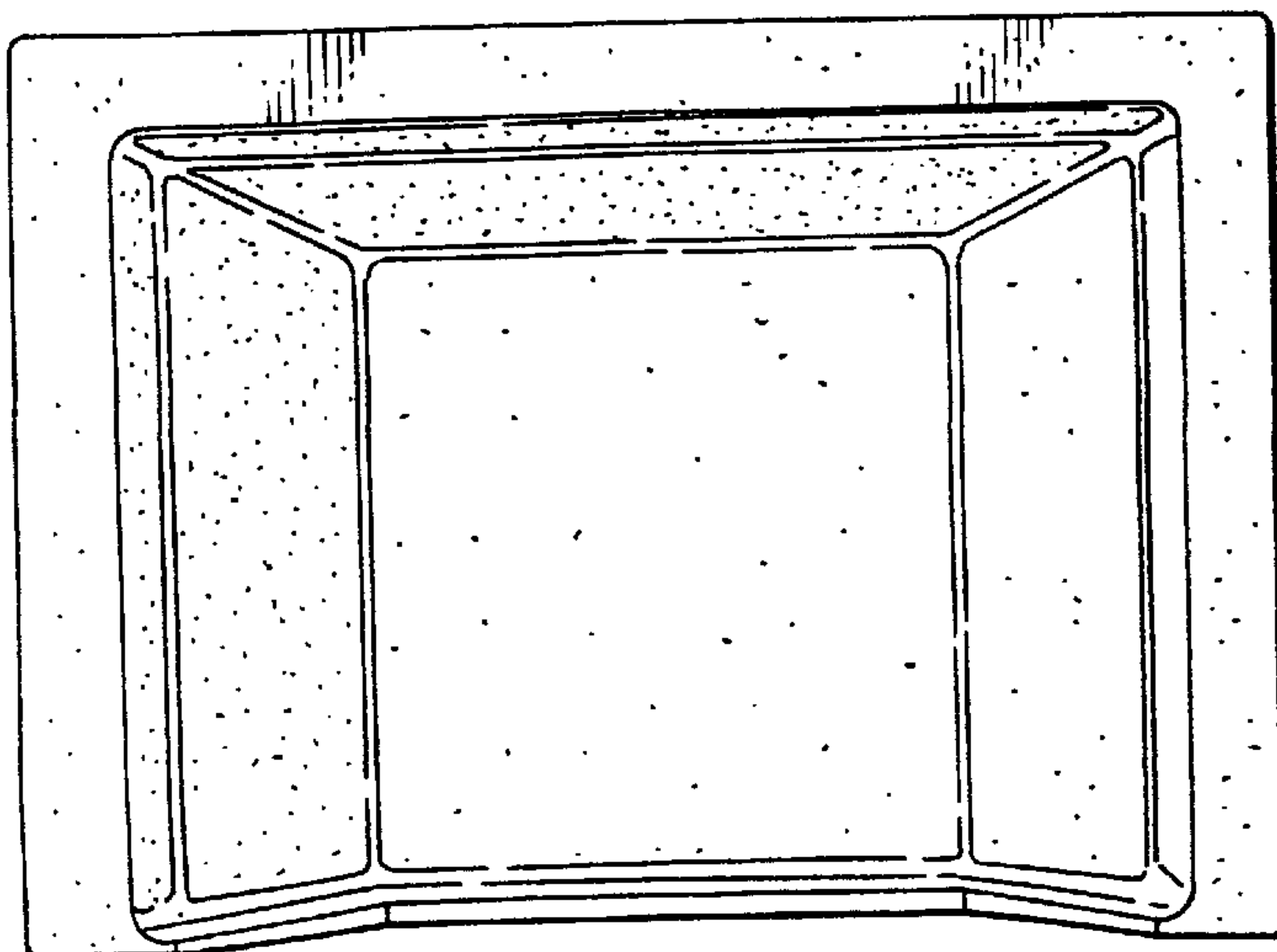


FIG - 3

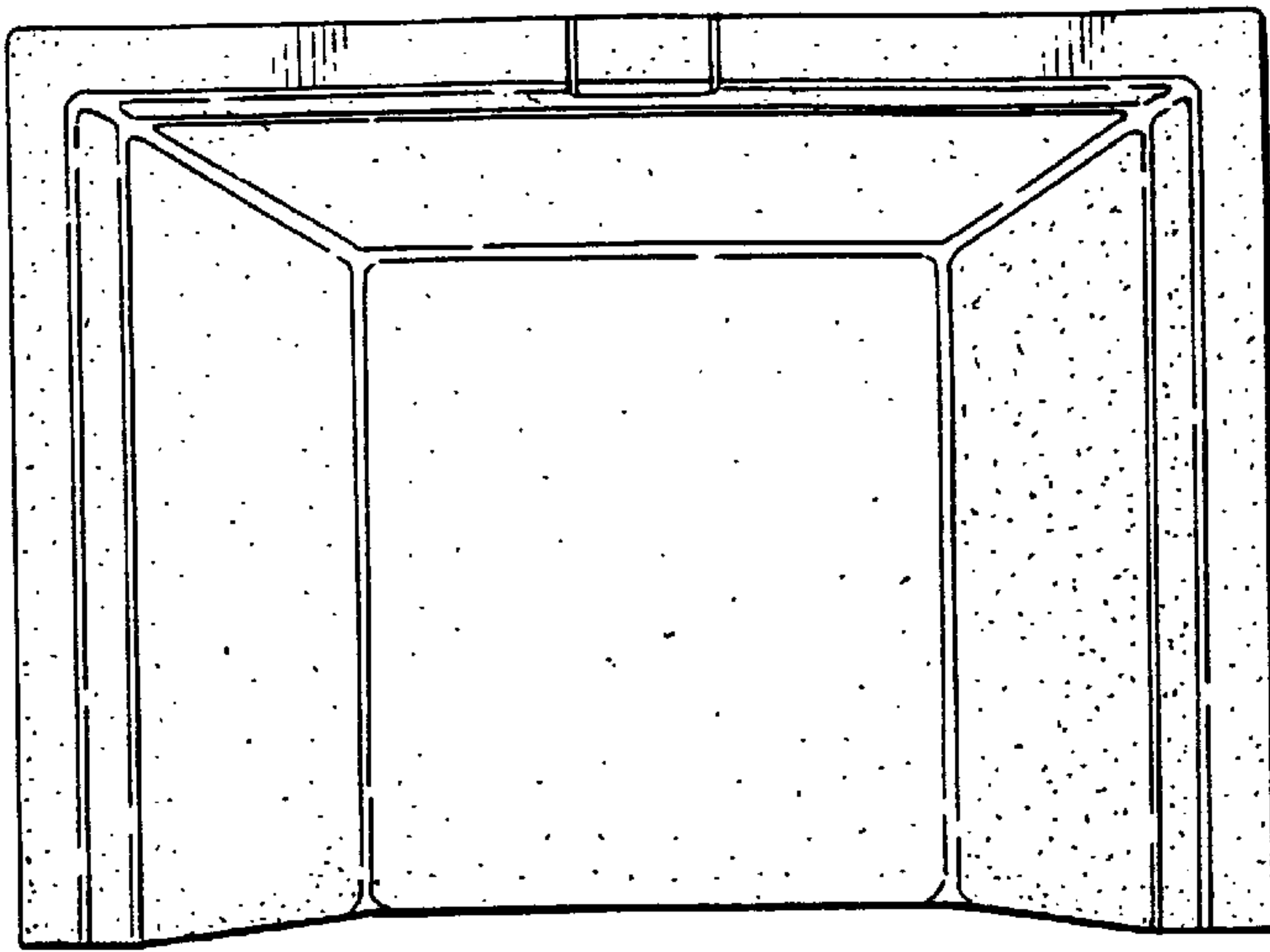


FIG-4

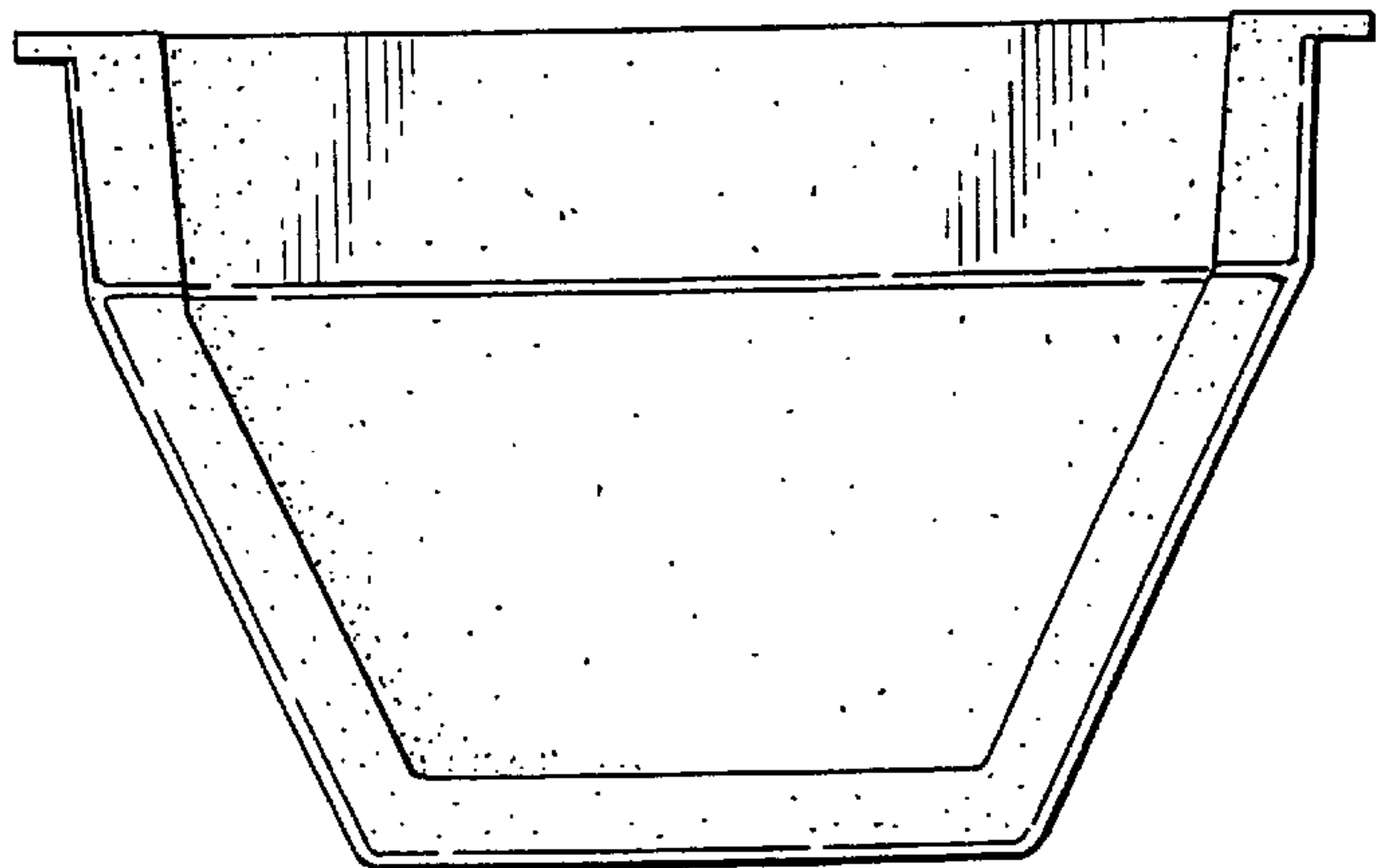


FIG-5

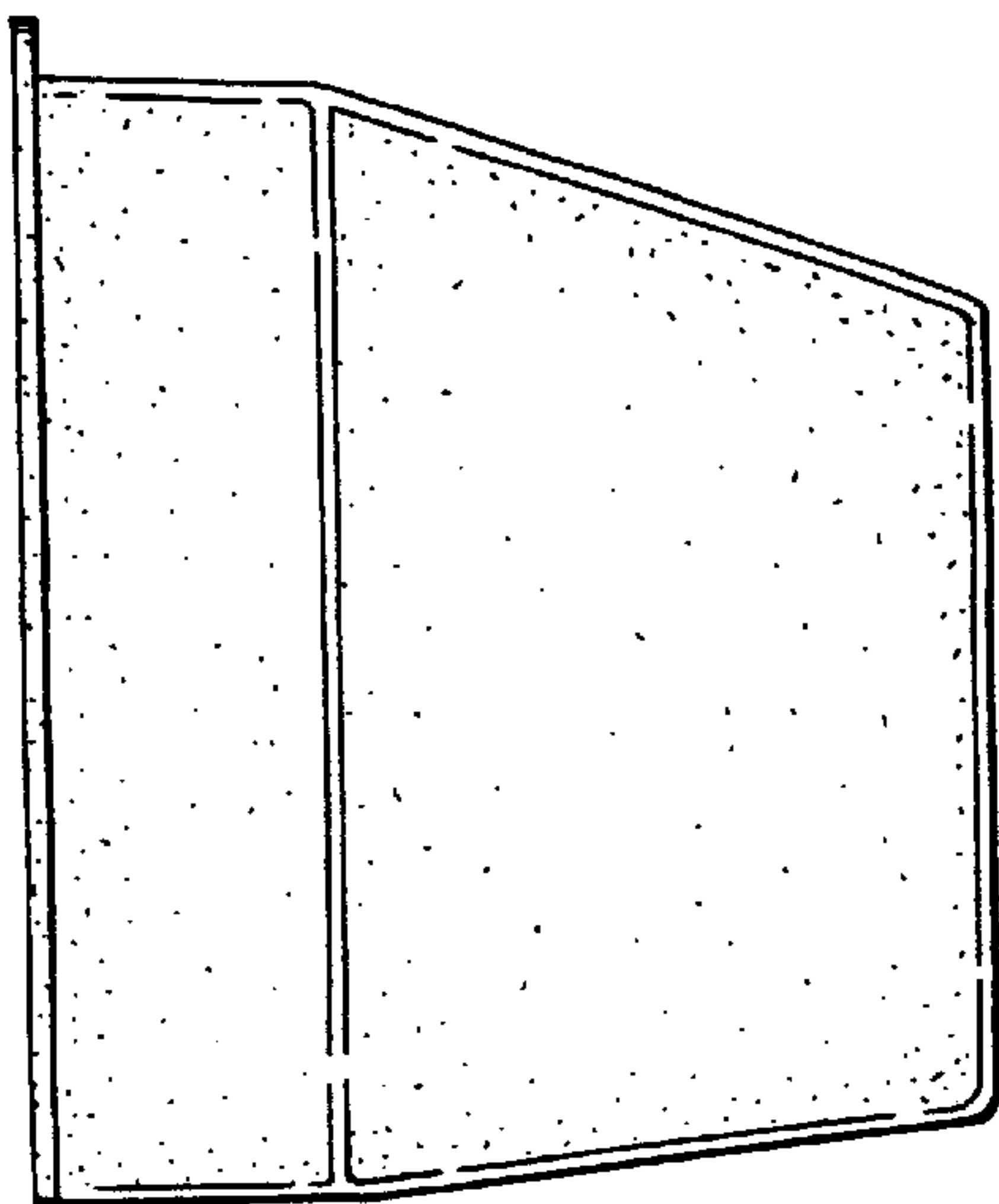


FIG-6