



US00D420298S

United States Patent [19]
Eisenhower

[11] **Patent Number: Des. 420,298**

[45] **Date of Patent: ** Feb. 8, 2000**

[54] **PRESSURE SENSOR HOUSING**

D. 400,812 11/1998 Maurer D10/83
4,426,884 1/1984 Polchaninoff 338/47 X

[75] Inventor: **Gary Wayne Eisenhower**, Freeport, Ill.

[73] Assignee: **Honeywell Inc.**, Minneapolis, Minn.

[**] Term: **14 Years**

Primary Examiner—Antoine Duval Davis
Attorney, Agent, or Firm—Roland W. Norris; Kris T. Fredrick

[21] Appl. No.: **29/097,879**

[22] Filed: **Dec. 16, 1998**

[57] **CLAIM**

The ornamental design for a pressure sensor housing, as shown and described.

[51] **LOC (7) Cl.** **10-04**

[52] **U.S. Cl.** **D10/85**

[58] **Field of Search** D10/83, 85; 338/36,
338/47

DESCRIPTION

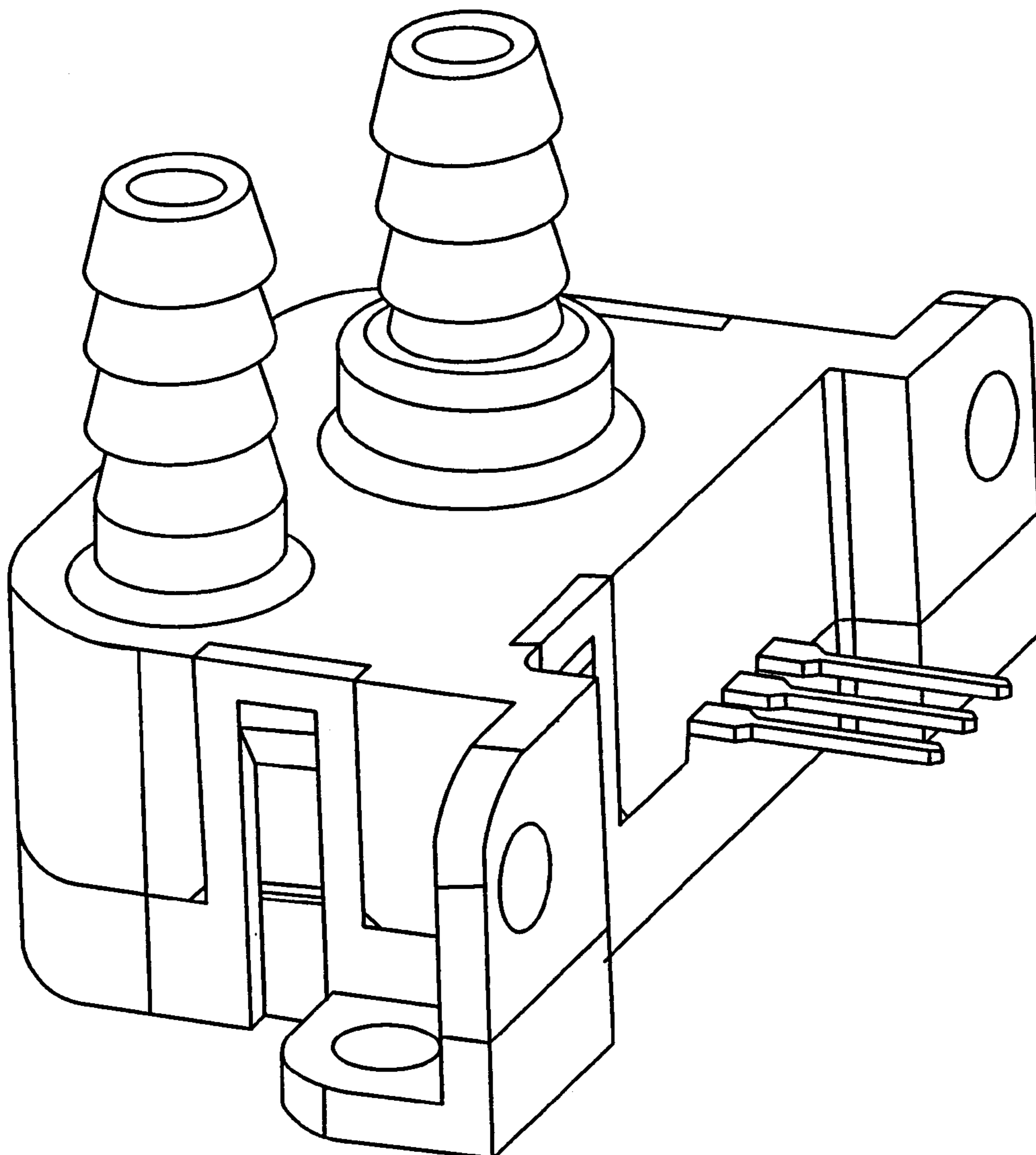
FIG. 1 is an upper right perspective view of a pressure sensor housing showing my new design;
FIG. 2 is a bottom plan view thereof;
FIG. 3 is a front elevational view thereof;
FIG. 4 is a top plan view thereof;
FIG. 5 is a rear elevational view thereof; and,
FIG. 6 is a right side elevational view thereof.

[56] **References Cited**

U.S. PATENT DOCUMENTS

- D. 318,646 7/1991 Karbassi .
- D. 336,889 6/1993 Boyer .
- D. 382,822 8/1997 Maurer D10/83

1 Claim, 2 Drawing Sheets



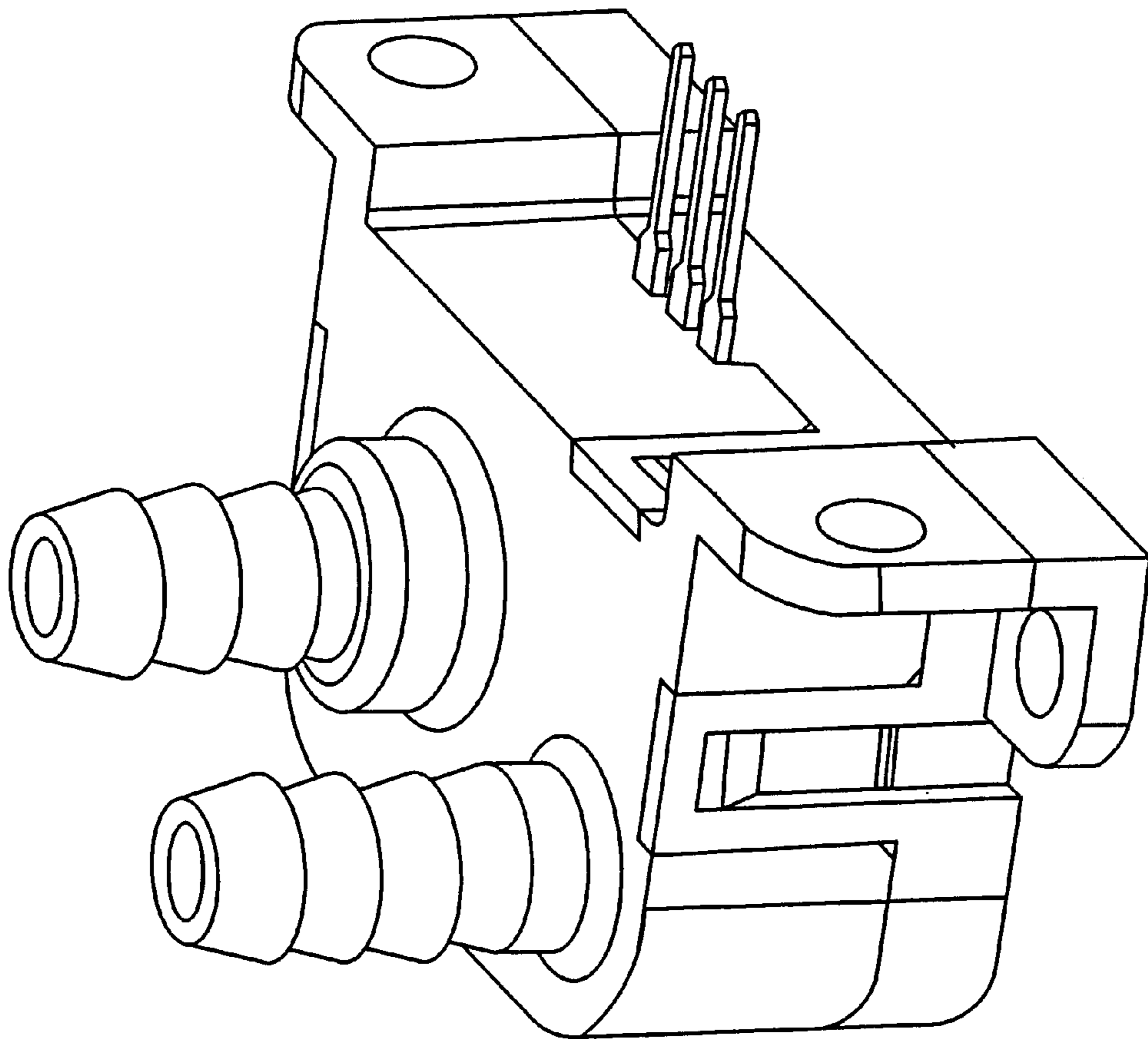


Fig. 1

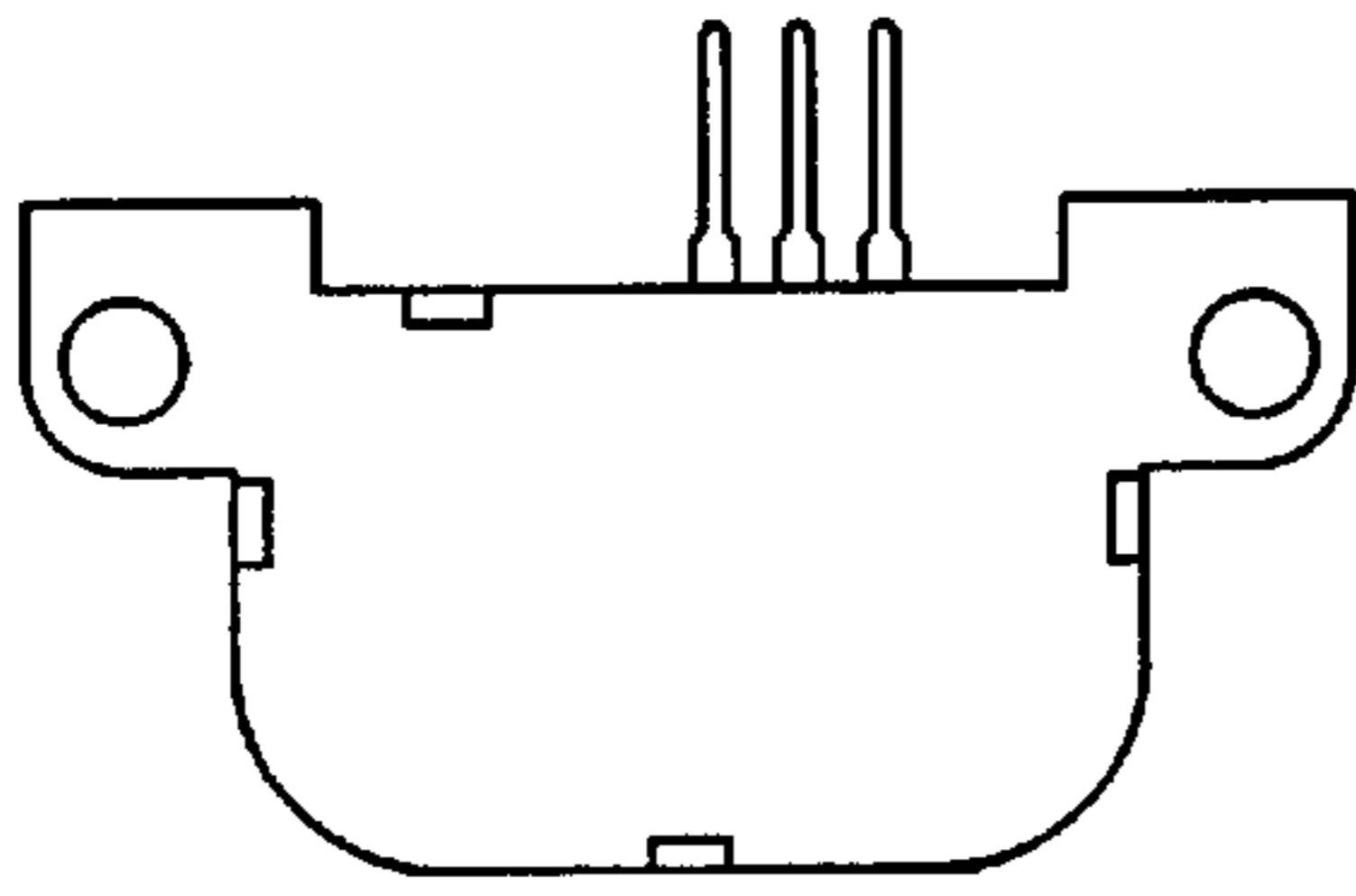


Fig. 2

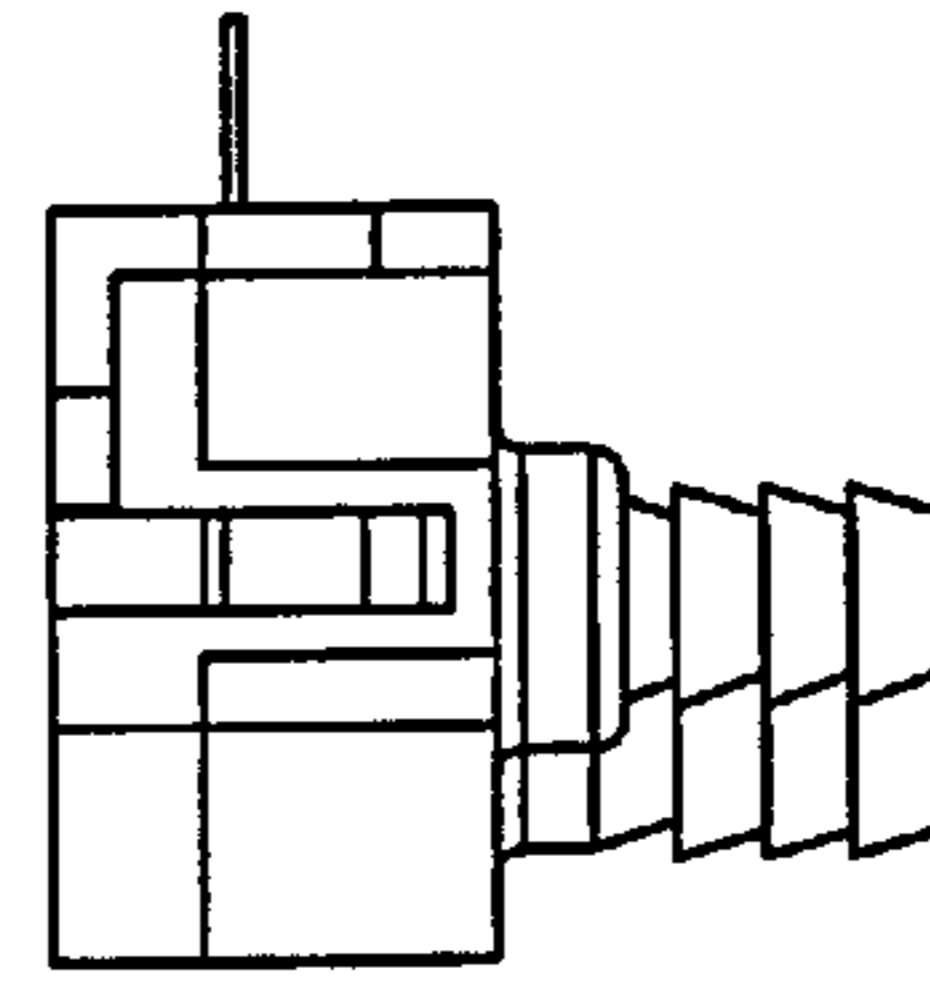


Fig. 6

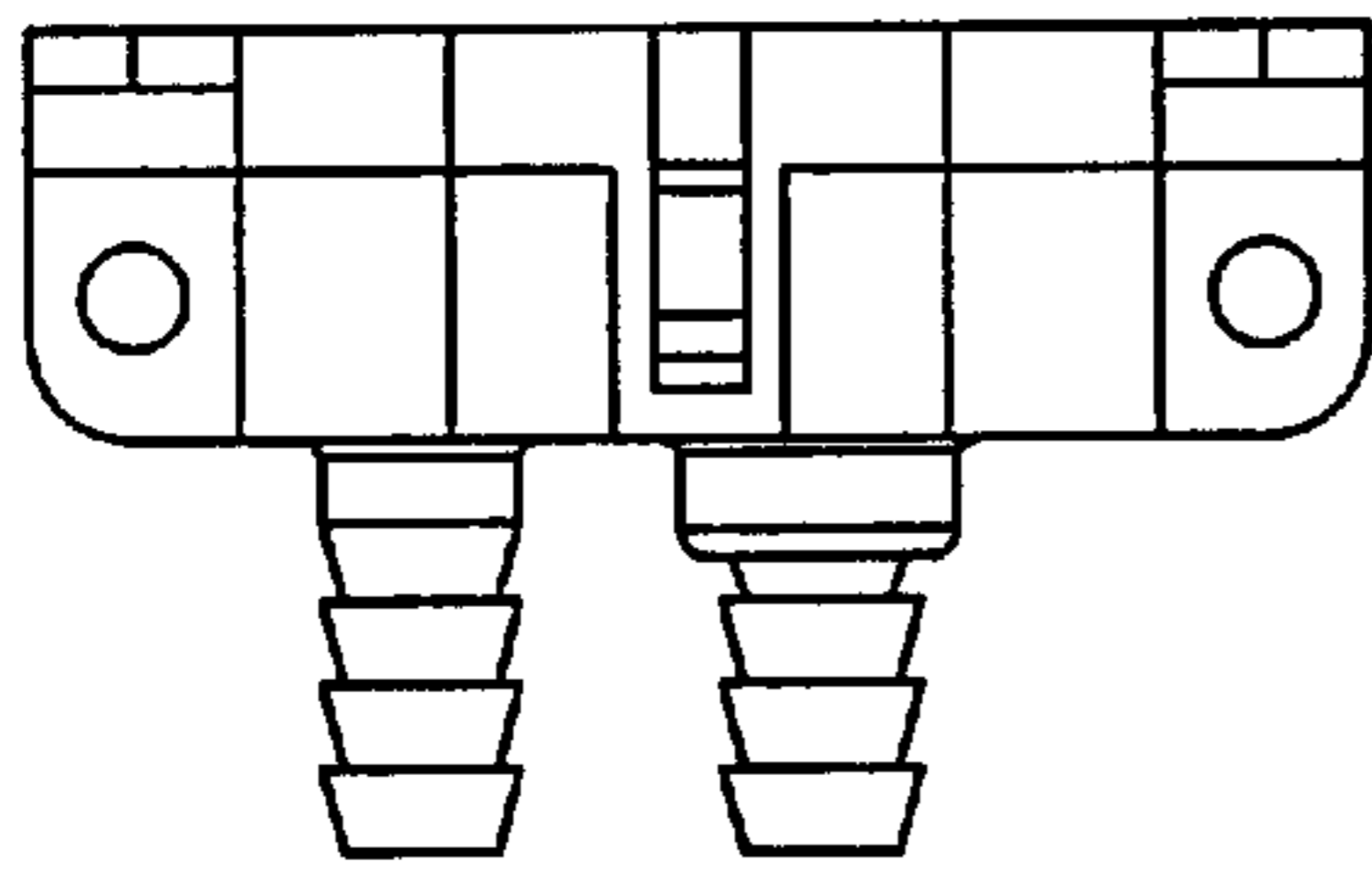


Fig. 3

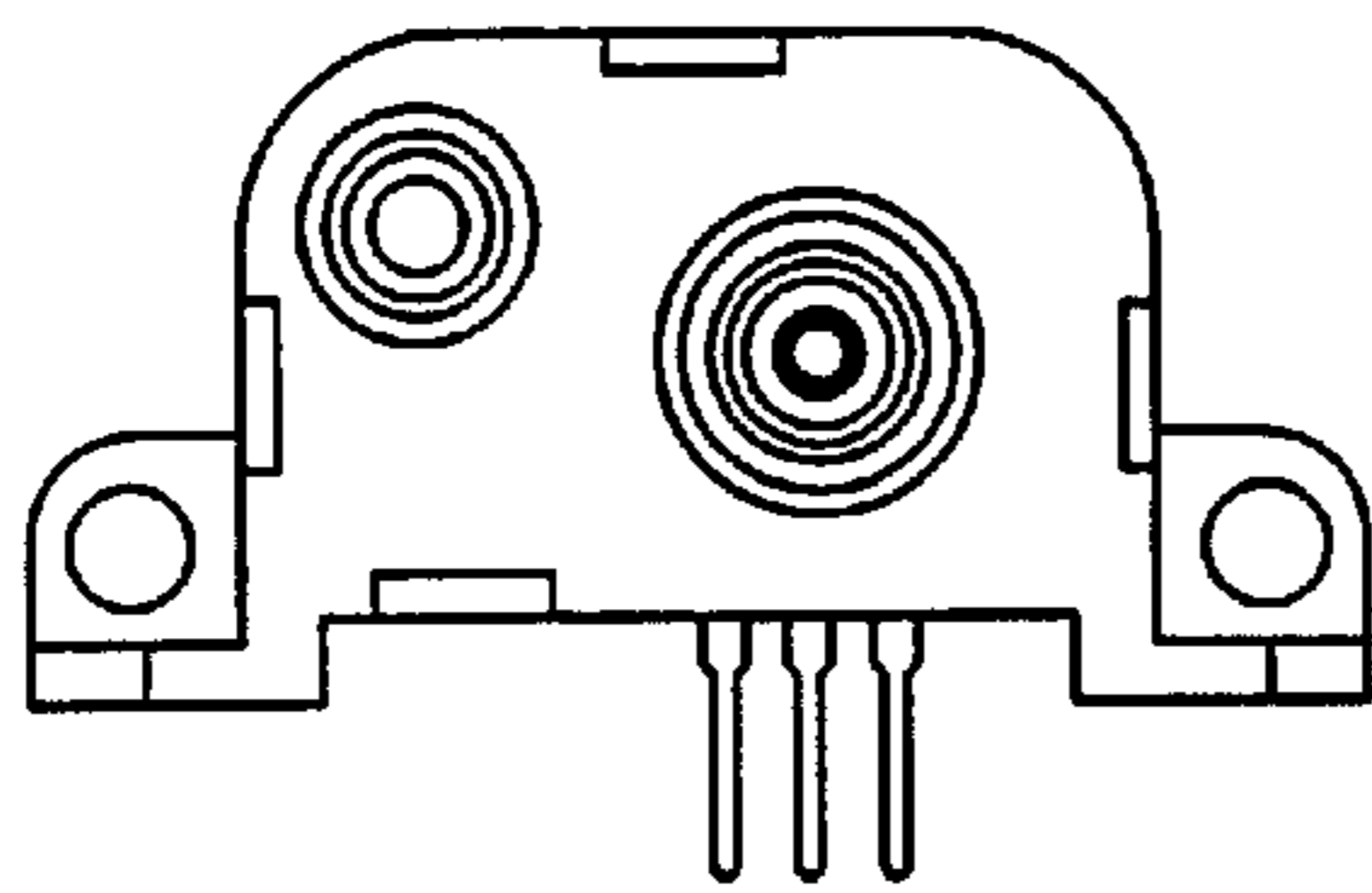


Fig. 4

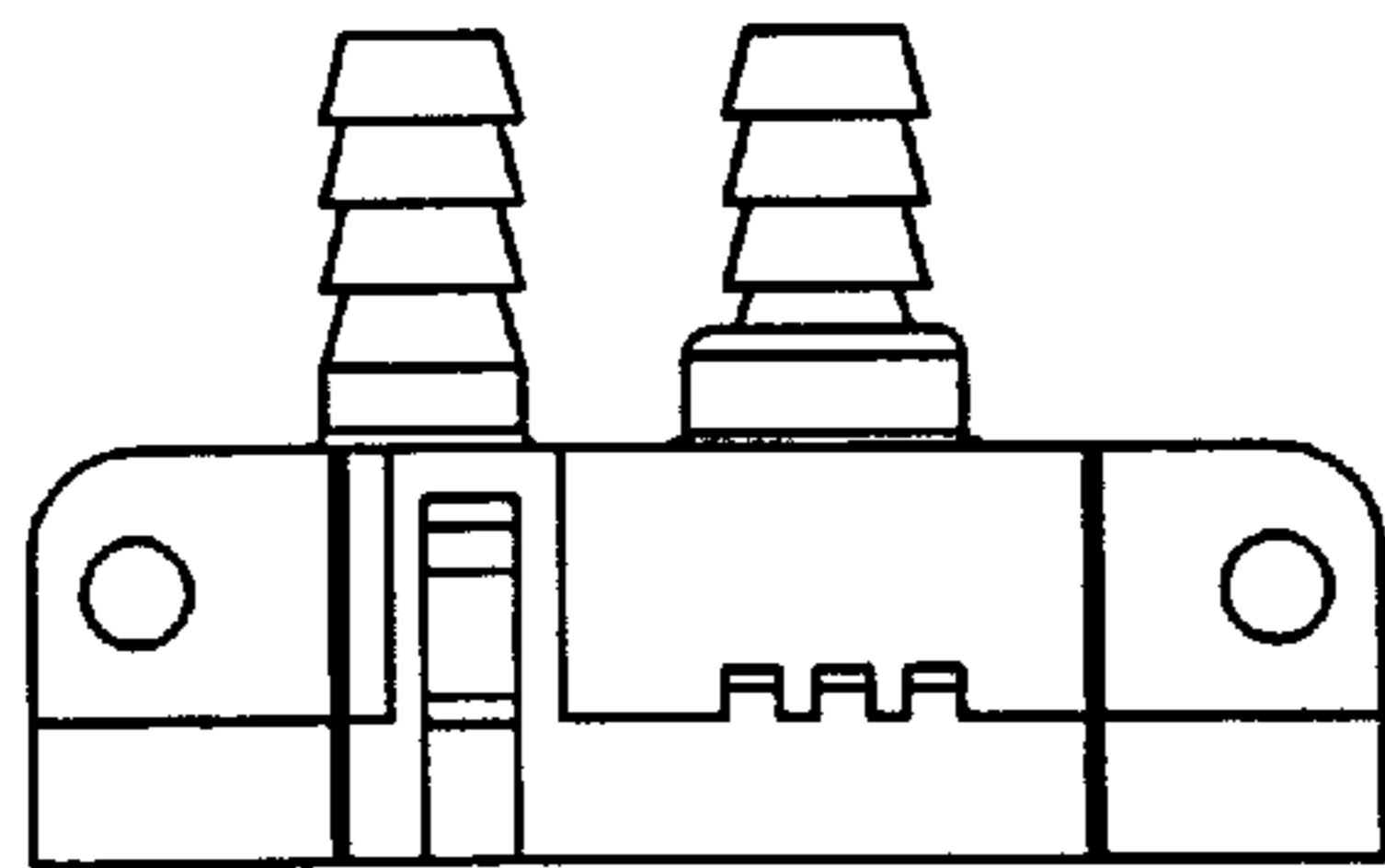


Fig. 5