



US00D420296S

**United States Patent** [19]  
**Khalaj et al.**

[11] **Patent Number: Des. 420,296**  
[45] **Date of Patent: \*\* Feb. 8, 2000**

[54] **TOOTH BRUSH TIMER**

5,438,555 8/1995 Kim ..... 368/10

[76] Inventors: **Farhad Khalaj; Faramarz Khaladj;**  
**Steve Khalaj**, all of 23161 Peralta Dr.,  
Laguna Hills, Calif. 92653

**OTHER PUBLICATIONS**

Hong Kong Enterprise—Oct. 1990—p.355—Car alarm ar  
bottom—right.

[\*\*] Term: **14 Years**

*Primary Examiner*—Nelson C. Holtje

[21] Appl. No.: **29/106,777**

[57] **CLAIM**

[22] Filed: **Jun. 22, 1999**

The ornamental design for a “tooth brush timer”, as shown  
and described.

[51] **LOC (7) Cl.** ..... **10-03**

[52] **U.S. Cl.** ..... **D10/40; D10/6; D10/8**

[58] **Field of Search** ..... D10/1–40, 122–132,  
D10/75; 200/38 R; 307/140 R, 141 R, 141.4;  
368/97–100, 107–109, 121, 246

**DESCRIPTION**

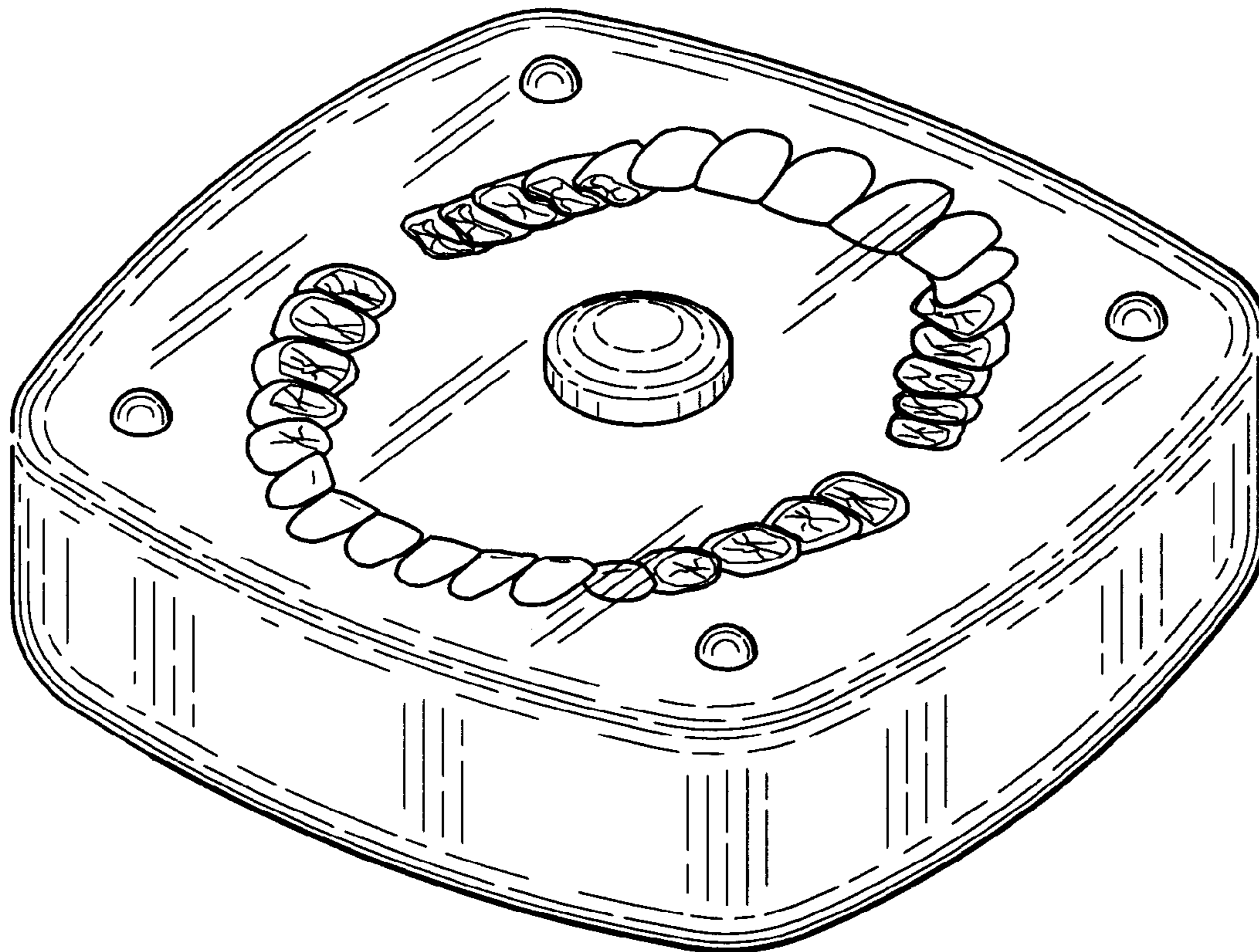
FIG. 1 is a perspective view of a tooth brush timer showing  
my new design;  
FIG. 2 is a front elevational view, the rear elevational view,  
the left side elevational view and the right side elevational  
view being a mirror image view thereof;  
FIG. 3 is a top plan view thereof; and,  
FIG. 4 is a bottom plan view thereof.

[56] **References Cited**

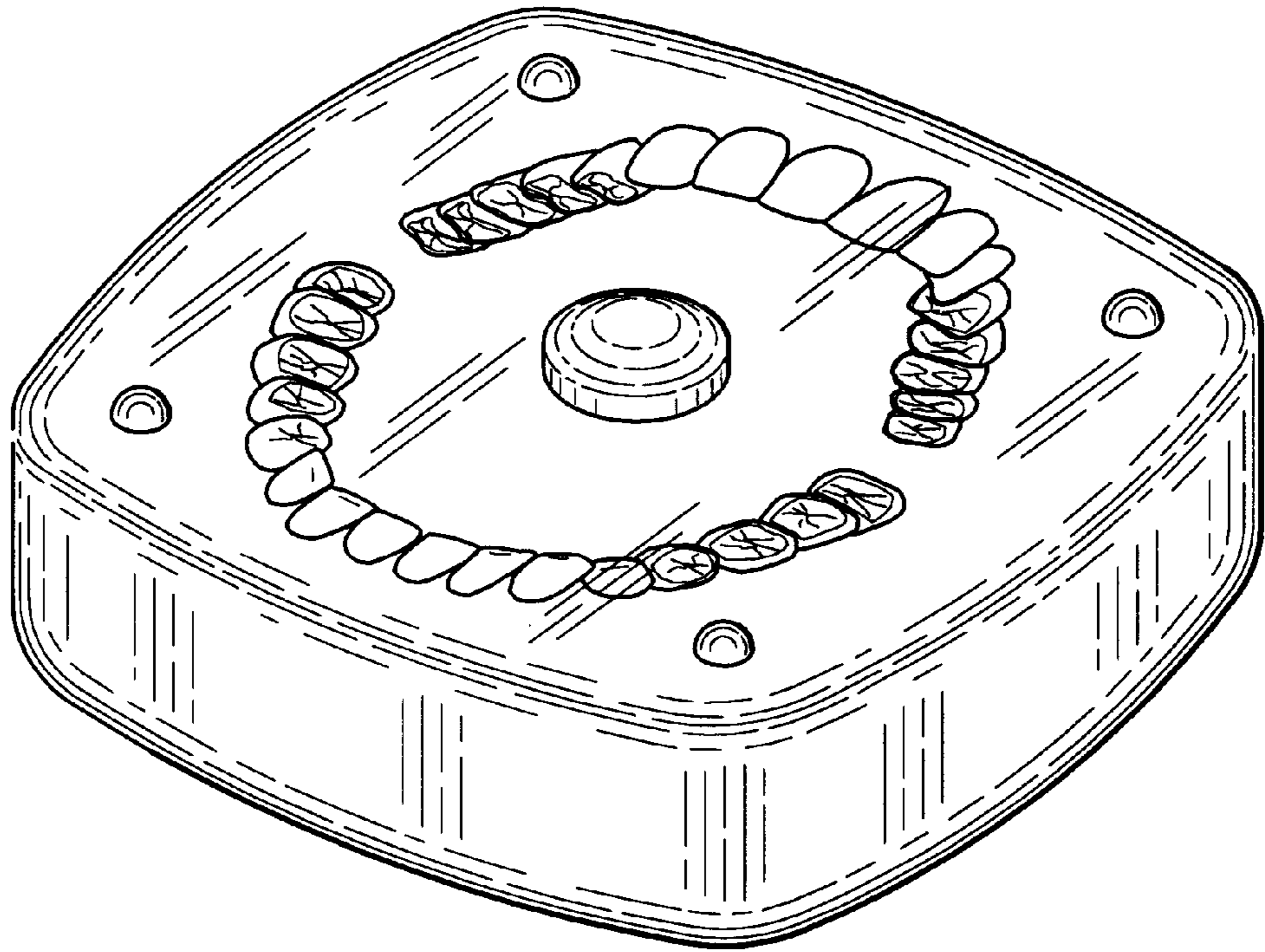
**U.S. PATENT DOCUMENTS**

- D. 368,230 3/1996 Cohen et al. .... D10/40
- D. 394,856 6/1998 Chiu ..... D14/124

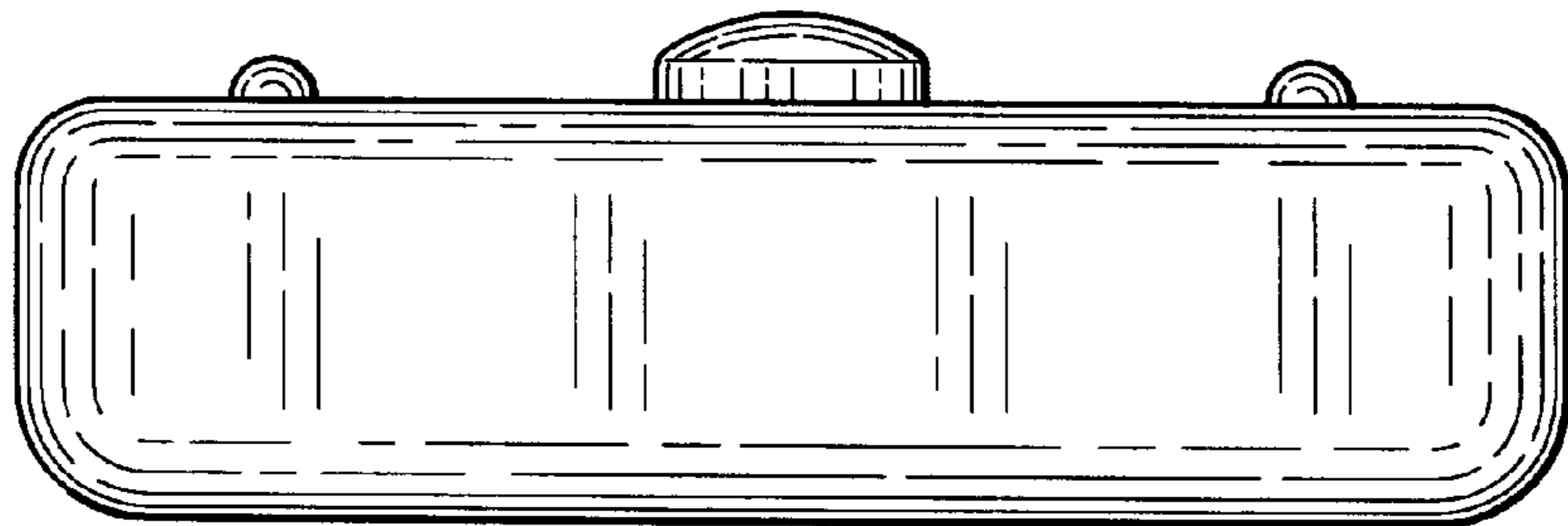
**1 Claim, 2 Drawing Sheets**



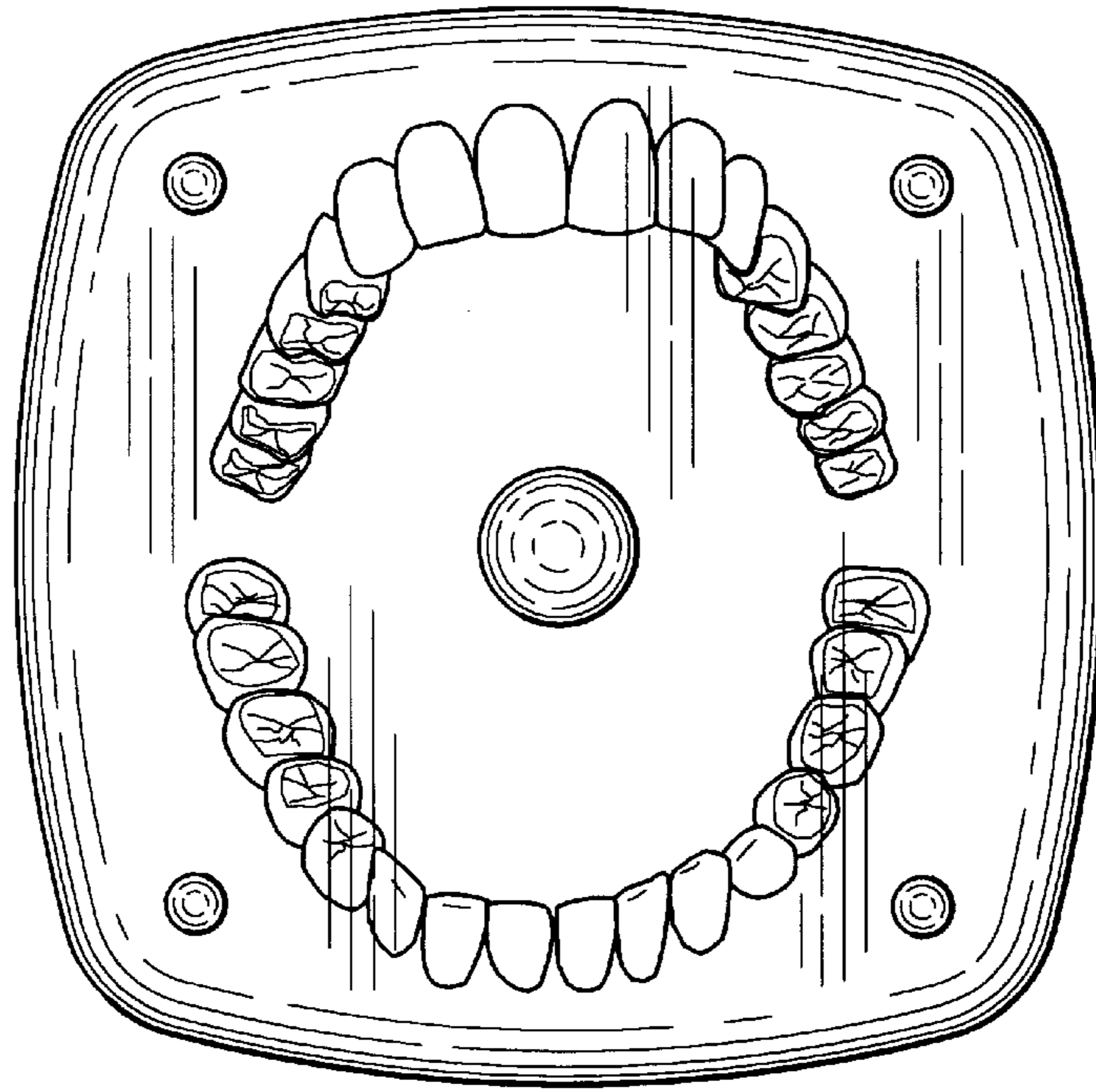
*Fig. 1*



*Fig. 2*



*Fig. 3*



*Fig. 4*

