



US00D420285S

# United States Patent [19]

[11] Patent Number: **Des. 420,285**

Sagan et al.

[45] Date of Patent: **\*\* Feb. 8, 2000**

[54] **COVER FOR A FOOD CONTAINER**

[75] Inventors: **Michael John A. Sagan**, Batavia;  
**Mark A. Erickson**, McHenry;  
**Christina M. Tranfaglia**, Chicago;  
**Robert S. Schlaupitz**, Wadsworth, all  
of Ill.

[73] Assignee: **Tenneco Packaging Specialty and  
Consumer Products, Inc.**, Evanston,  
Ill.

[\*\*] Term: **14 Years**

[21] Appl. No.: **29/080,403**

[22] Filed: **Dec. 8, 1997**

[51] **LOC (7) Cl.** ..... **09-07**

[52] **U.S. Cl.** ..... **D9/429; D9/428; D9/435**

[58] **Field of Search** ..... D9/420-429, 414;  
D7/602, 629, 641; 206/508, 509, 511, 551,  
769-773, 775-778; 426/128, 111, 166;  
229/406, 407, 4.5, 902, 904, 938; 312/283,  
284; 220/376, 377, 602, 608, 306

[56] **References Cited**

**U.S. PATENT DOCUMENTS**

D. 218,804	9/1970	Doubleday	.....	D9/220
D. 225,050	11/1972	Cannell	.....	D9/3
D. 328,705	8/1992	Krupa	.....	D9/420
D. 329,198	9/1992	Krupa	.....	D9/423
D. 344,660	3/1994	Krupa	.....	D7/629
D. 345,912	4/1994	Krupa	.....	D9/429
D. 346,554	5/1994	Krupa	.....	D9/429
D. 358,091	5/1995	Warburton	.....	D9/425 X
D. 364,090	11/1995	Krupa	.....	D9/429
D. 371,964	7/1996	Krupa	.....	D9/429
D. 373,726	9/1996	Power	.....	D9/429
D. 374,820	10/1996	Knoss et al.	.....	D9/429
D. 391,850	3/1998	Krupa et al.	.....	D9/429
D. 393,801	4/1998	Hayes et al.	.....	D9/429
1,454,639	5/1923	Haines	.	
1,595,356	8/1926	Moseman	.	
2,174,586	10/1939	Leppke	.....	65/15
2,294,657	9/1942	Flanagan	.....	65/15
3,261,458	7/1966	Nibecker	.....	206/47
3,815,736	6/1974	Sedlak	.....	206/511 X

3,938,688	2/1976	Ryan	.....	220/23.8
4,061,241	12/1977	Retelny	.....	206/511 X
4,225,052	9/1980	Tector et al.	.....	220/22
4,314,650	2/1982	Cillario	.....	220/23.83
4,351,164	9/1982	Christiani	.....	62/315
4,874,083	10/1989	Antoni et al.	.....	220/556 X
5,209,348	5/1993	Schafer, III	.....	206/222
5,265,749	11/1993	Zutler	.....	220/4.2 X
5,346,070	9/1994	McSpadden	.....	206/561
5,353,952	10/1994	Donche	.....	220/575
5,413,801	5/1995	McIlwain	.....	426/420
5,441,164	8/1995	Beck et al.	.....	220/575
5,529,794	6/1996	Fultz	.....	426/115
5,862,977	1/1999	Hirano	.....	229/4.5 X

**OTHER PUBLICATIONS**

“Advantages of OctaView,” by De Ster Corporation, Atlanta, GA., undated.

“Mini Trays with Shrimp in Mind: Combo Packs,” by James L. Villa, Inc., Oldsmar, FL., undated.

“Sea Food Better with Octa View™,” by De Ster Corporation, Atlanta, Ga., undated.

“Sho-Bowls™ Deli Containers,” by UltraFresh™ Catalog, p. 18 (May 1995).

“Shrimp Servers,” by Ivex Packaging Corporation, Lincolnshire, IL., undated.

“Welcome to De Ster’s World of Octa View™,” by De Ster Corporation, Atlanta, Ga., undated.

Analysis of Visual Quality Attributes of White Shrimp by Machine Vision, Diego Luzuriaga, Murat Balaban, Sencer Yeralan, vol. 62, No. 1, 1977 (Abstract).

Tenneco Packaging Cat, p. 96, 1996.

*Primary Examiner*—Prabhakar Deshmukh

*Attorney, Agent, or Firm*—Arnold White & Durkee

[57] **CLAIM**

The ornamental design for a cover for a food container, as shown and described.

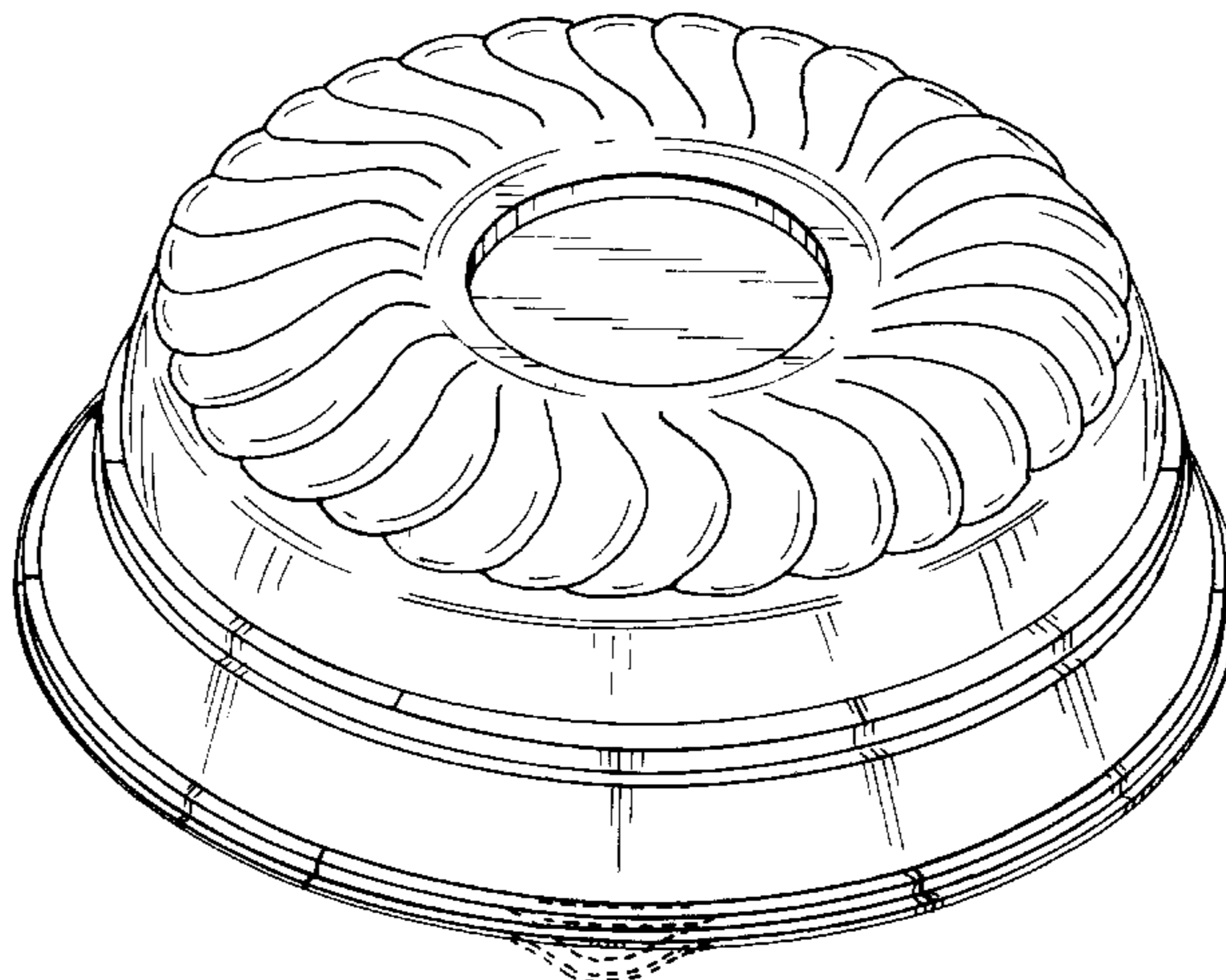
**DESCRIPTION**

FIG. 1 is a perspective view of a cover for a food container showing our new design;

FIG. 2 is a top view;

FIG. 3 is a bottom view; and,

FIG. 4 is a side view.



The broken lines in the drawing are for illustrative purpose and form no part of the claimed design.

**1 Claim, 4 Drawing Sheets**

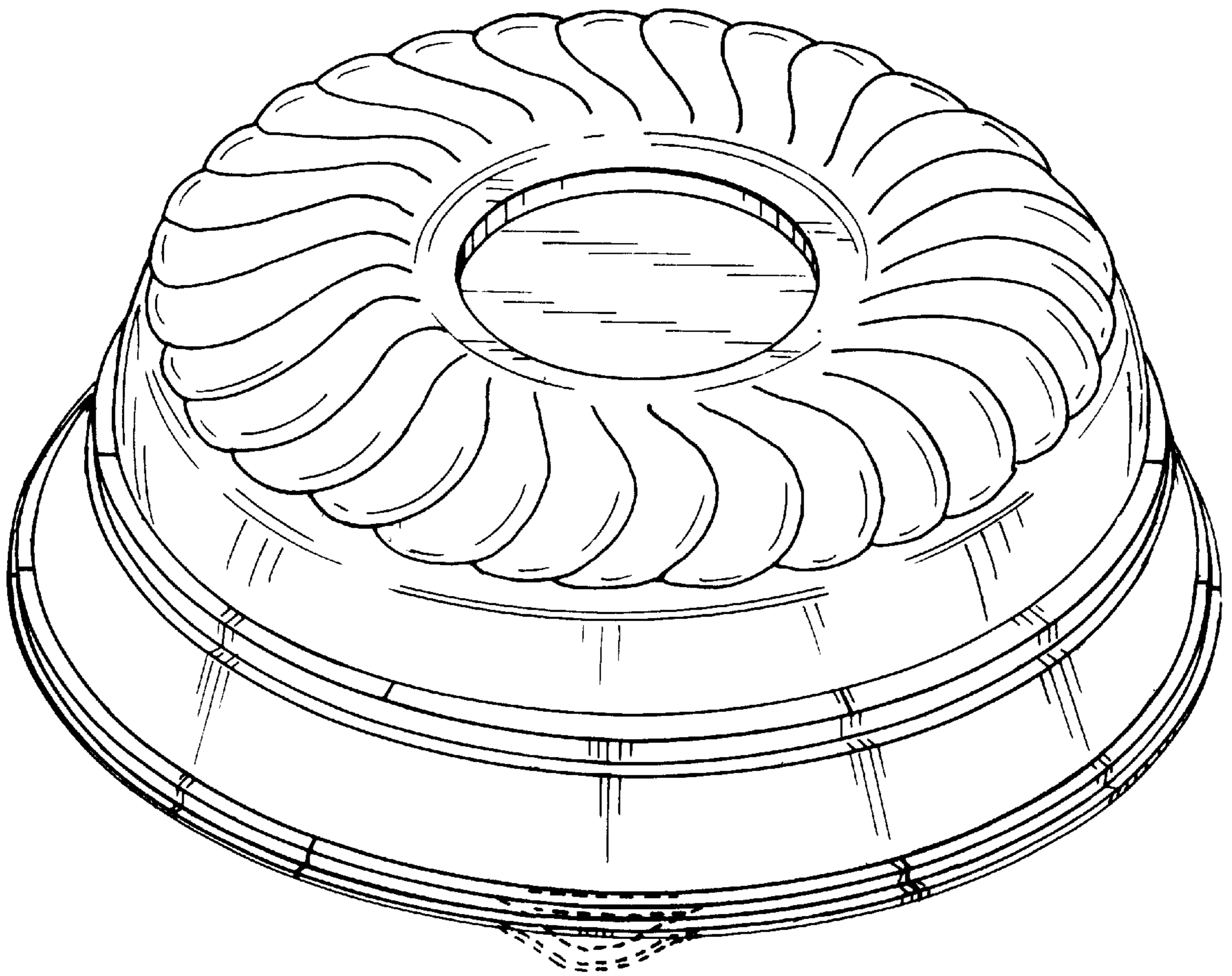


FIG. 1



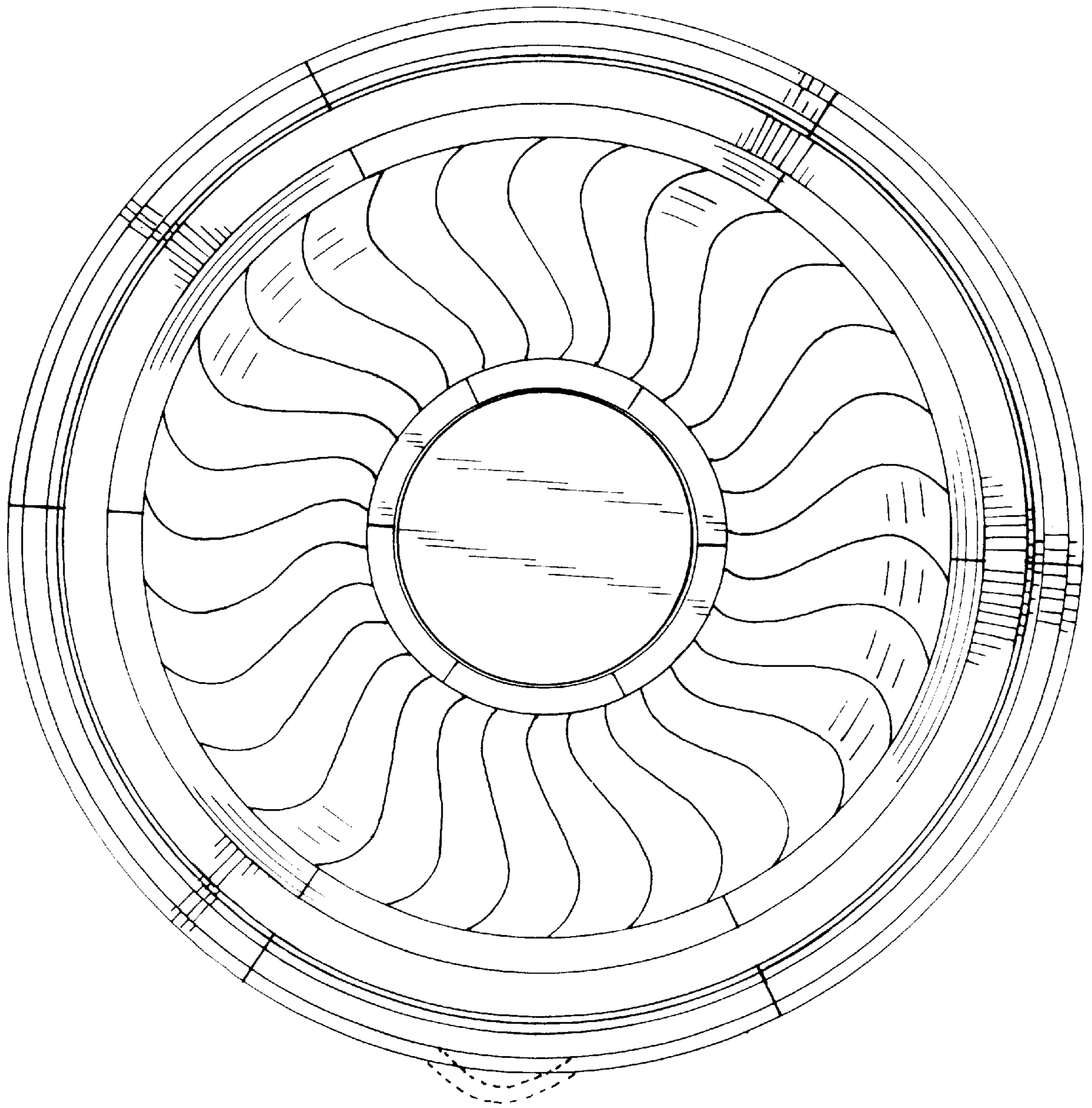
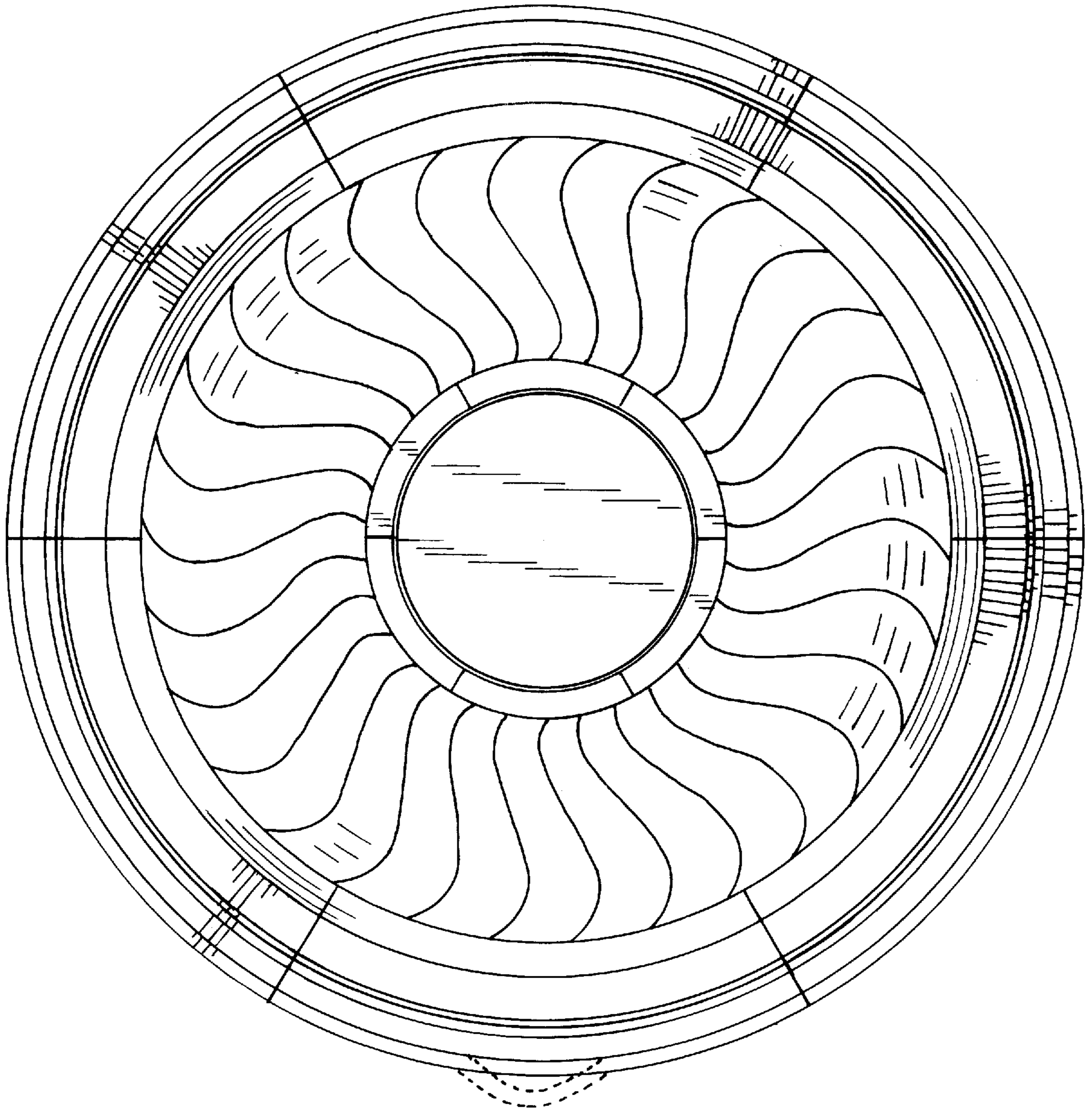
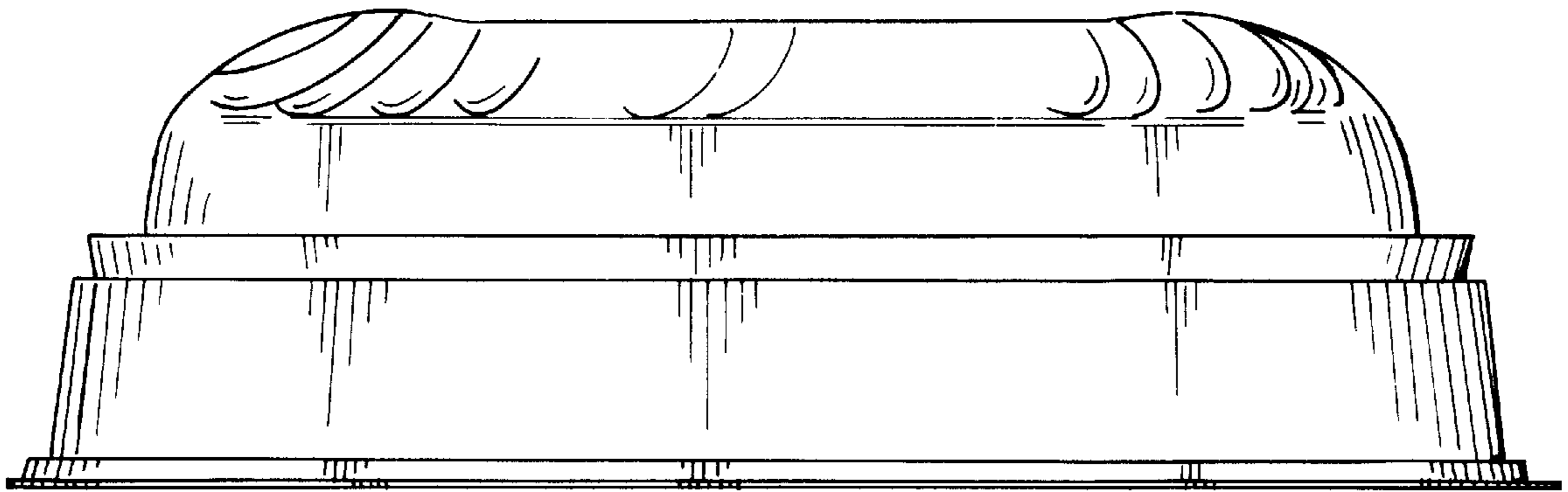


FIG. 2



**FIG. 3**



**FIG. 4**