



US00D420284S

United States Patent [19] Sagel

[11] Patent Number: Des. 420,284

[45] Date of Patent: ** Feb. 8, 2000

[54] TUBULAR FOOD CONTAINER

[75] Inventor: Joseph P. Sagel, Lewisville, Tex.

[73] Assignee: Recot, Inc., Pleasanton, Calif.

[**] Term: 14 Years

[21] Appl. No.: 29/086,739

[22] Filed: Apr. 20, 1998

[51] LOC (7) Cl. 09-07

[52] U.S. Cl. D9/428; D9/552

[58] Field of Search D9/428, 424, 425,
D9/552, 565; 206/303, 407; 220/4.04, 476,
376, 377, 380, 623, 669, 675, 670; 229/406,
4.5, 5.5, 93, 87.08

[56] **References Cited**

U.S. PATENT DOCUMENTS

D. 37,037	7/1904	Ebeling .	
D. 50,351	2/1917	Heisey .	
D. 104,342	5/1937	Duncan et al. .	
D. 109,474	5/1938	Connor .	
D. 170,099	7/1953	Taylor .	
D. 201,195	5/1965	Lewis .	
D. 286,841	11/1986	Blake .	
D. 290,209	6/1987	Ervin .	
D. 322,569	12/1991	Breadmont	D9/428 X
D. 329,170	9/1992	Hoffer .	
D. 376,731	12/1996	Lin .	
535,751	3/1895	Campbell	206/407
1,114,546	10/1914	Sinclair	229/4.5 X
1,226,677	5/1917	Lafore	206/407
1,937,924	12/1933	Thompson	206/407
2,139,143	12/1938	Wiswell	220/667 X
3,027,044	3/1962	Winstead	220/669 X
3,080,048	3/1963	Raamat	206/407 X

3,940,496 2/1976 Turpin et al. 229/4.5 X
4,473,164 9/1984 Lorenzen

FOREIGN PATENT DOCUMENTS

2308420 10/1974 Germany

Primary Examiner—Prabhakar Deshmukh
Attorney, Agent, or Firm—Rothwell Figg Ernst & Kurz, P.C.

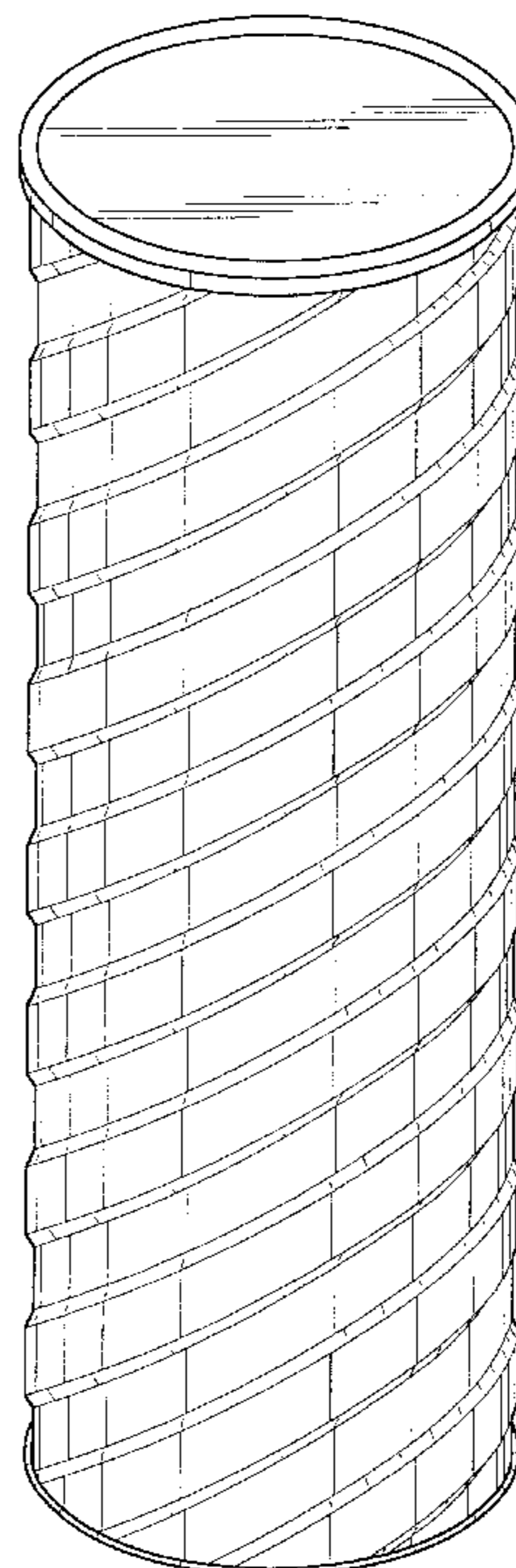
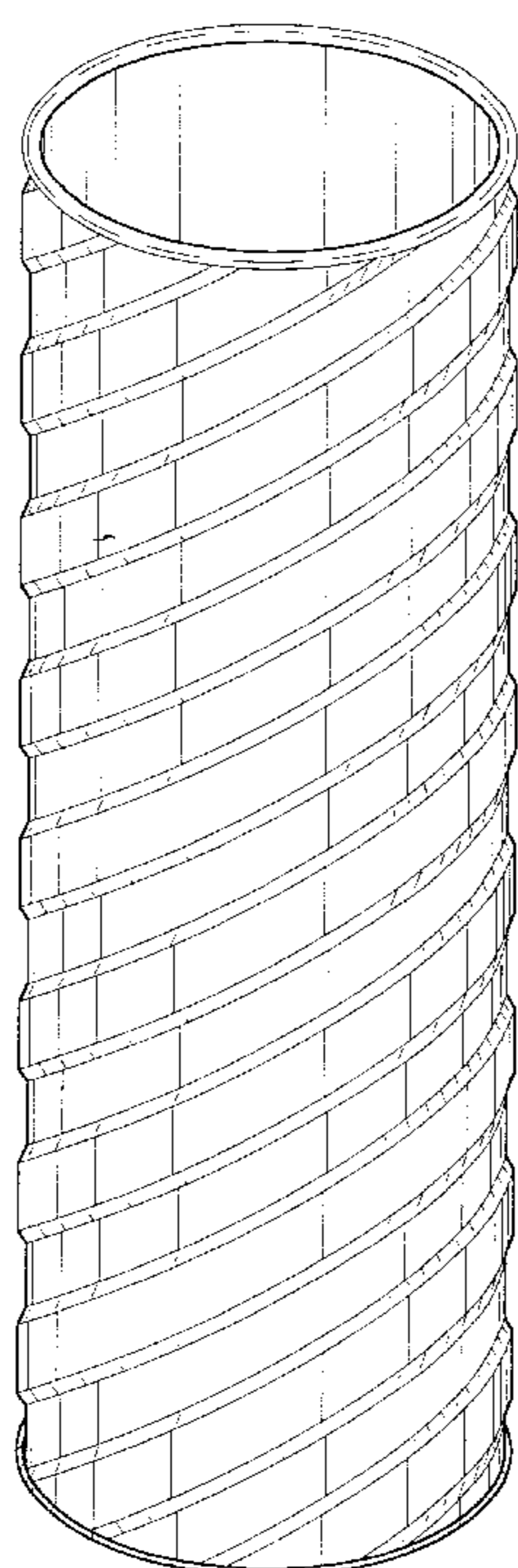
[57] **CLAIM**

The ornamental design for a tubular food container, as shown and described.

DESCRIPTION

FIG. 1 is a side elevational view of a tubular food container showing my new design;
FIG. 2 is a side elevational view of a second embodiment of the tubular food container;
FIG. 3 is a top plan view of FIG. 1;
FIG. 4 is a bottom plan view of FIG. 1;
FIG. 5 is a perspective view of FIG. 1;
FIG. 6 is a perspective view of FIG. 2;
FIG. 7 is a side elevational view of a third embodiment of the tubular food container;
FIG. 8 is a side elevational view of a fourth embodiment of the tubular food container;
FIG. 9 is a perspective view of FIG. 7;
FIG. 10 is perspective view of FIG. 8;
FIG. 11 is a fragmentary cross-sectional view taken along line 11—11 of FIG. 1; and,
FIG. 12 is a fragmentary cross-sectional view taken along line 12—12 of FIG. 2.
The top and bottom of the third (FIG. 7) and fourth (FIG. 8) are the same as disclosed in FIGS. 3 and 4 of the first embodiment (FIG. 1).

1 Claim, 5 Drawing Sheets



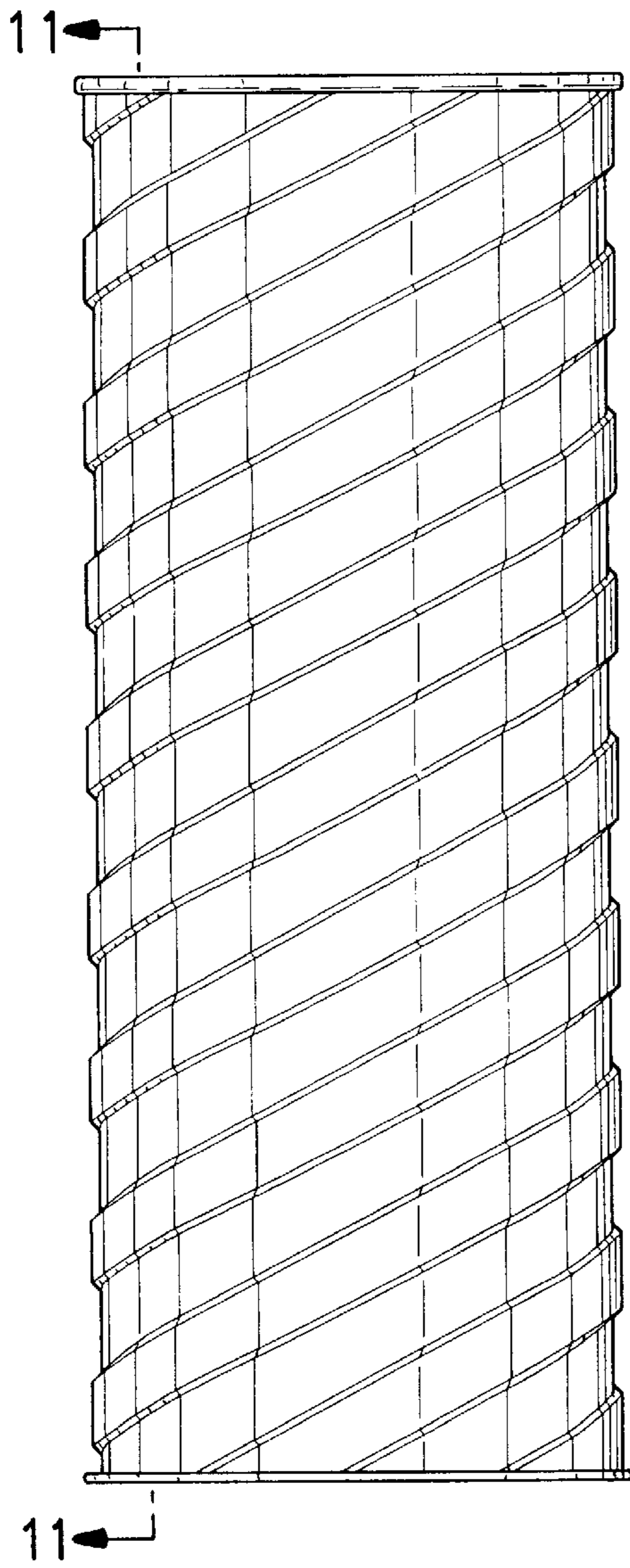


FIG. 1

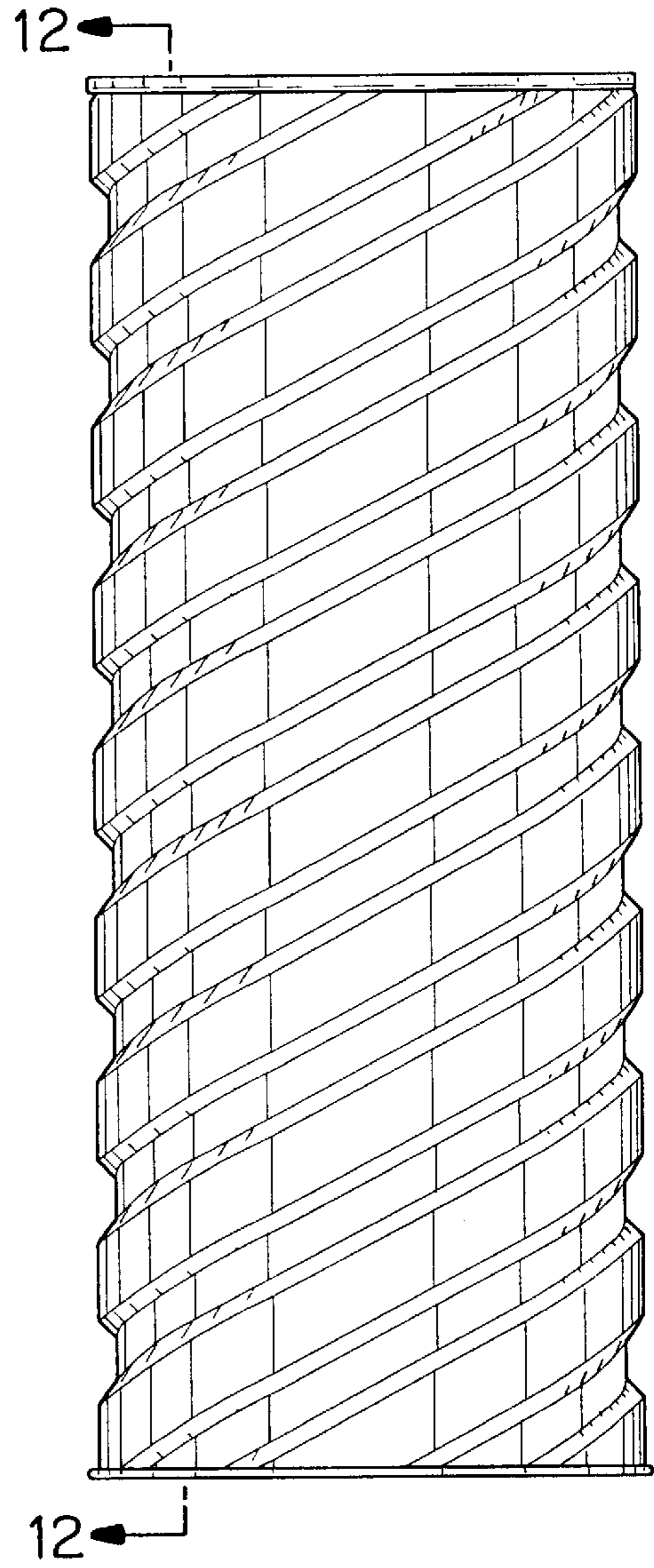


FIG. 2

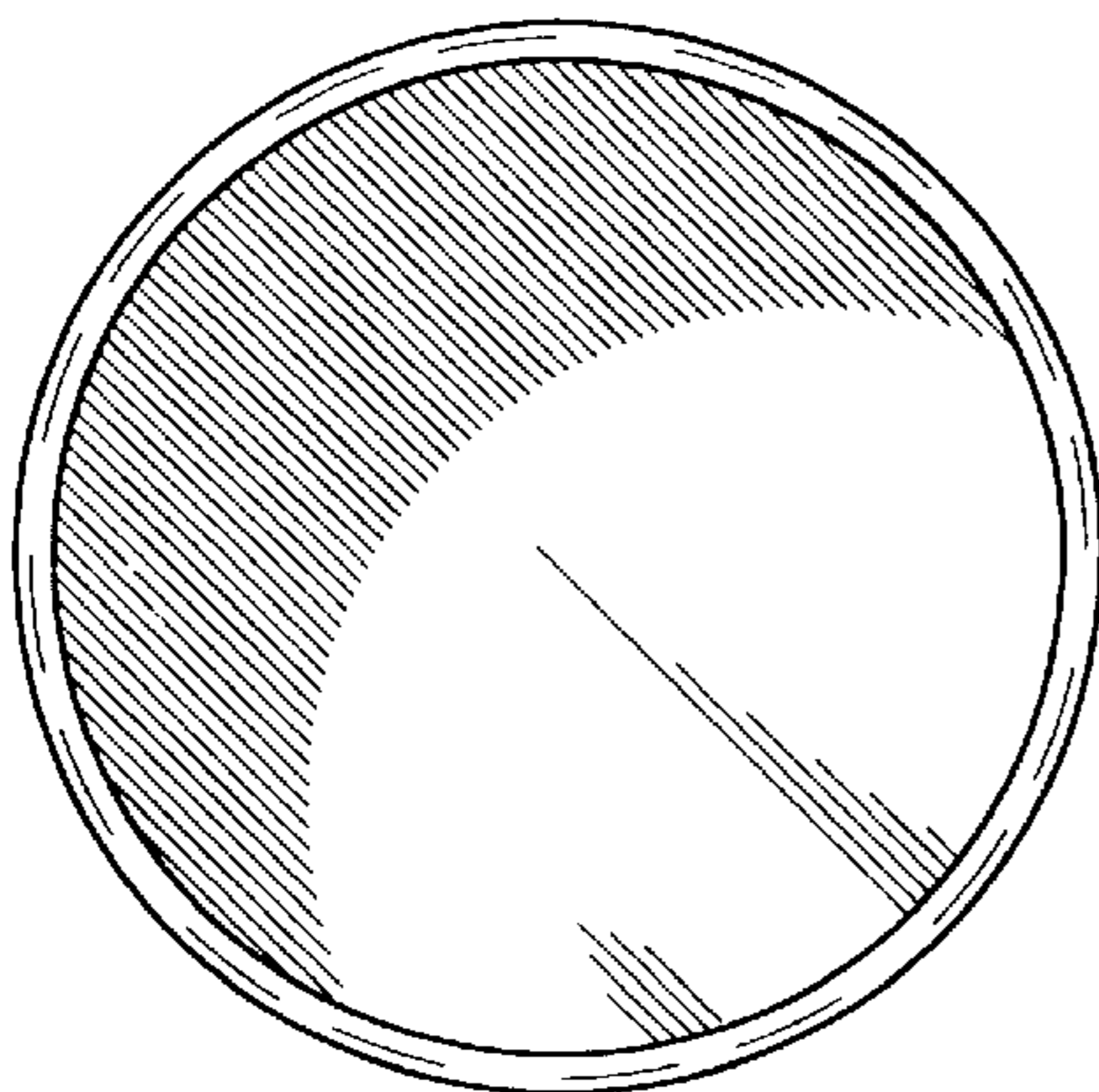


FIG. 3

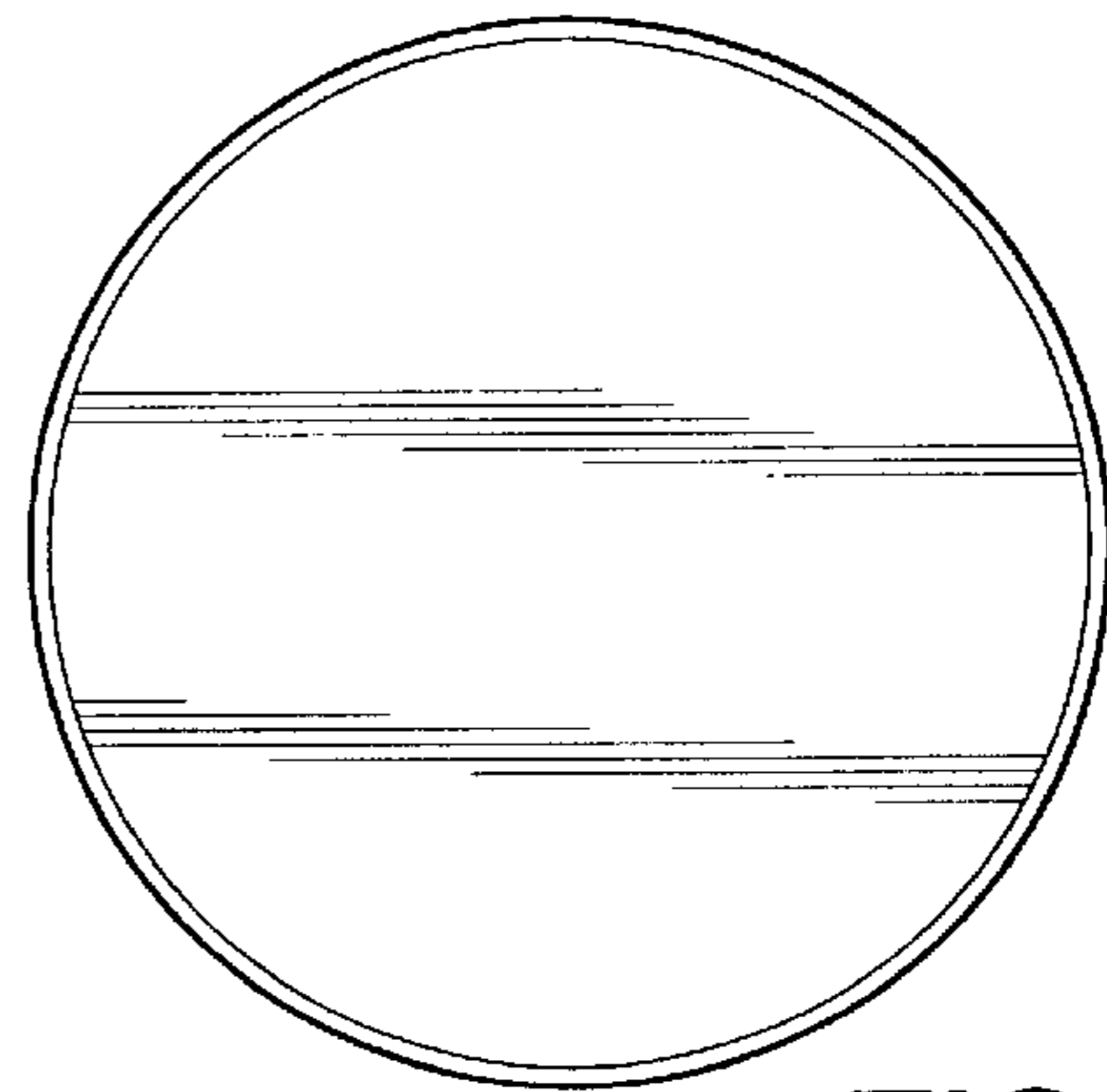


FIG. 4

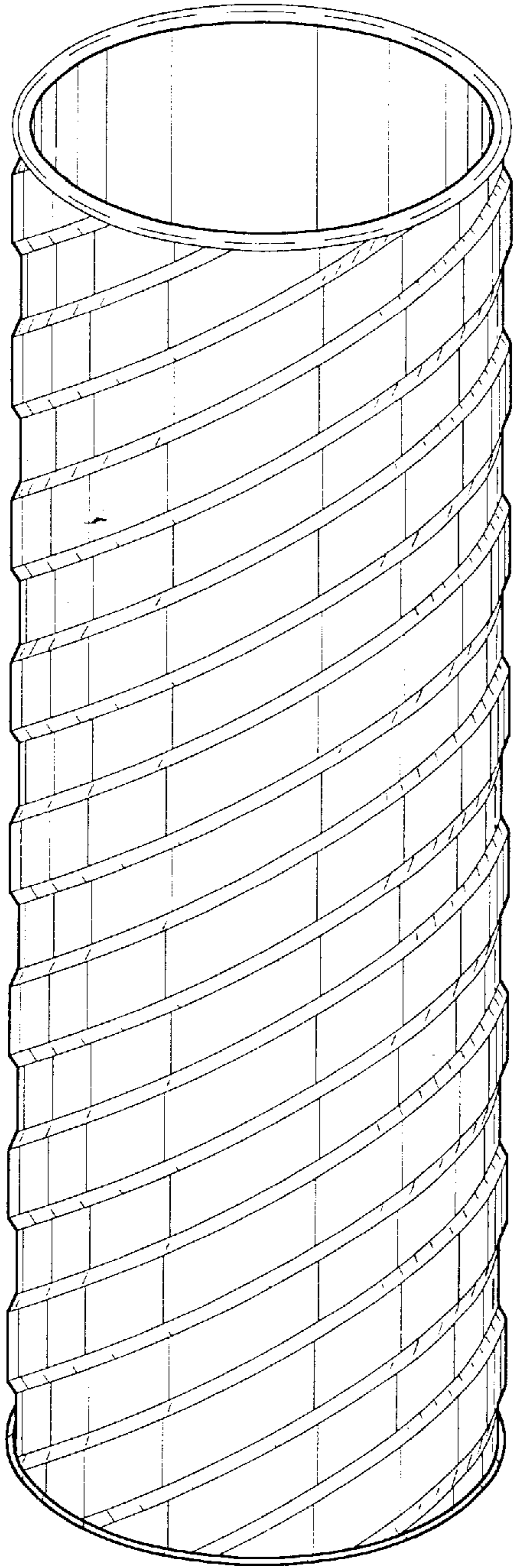


FIG. 5

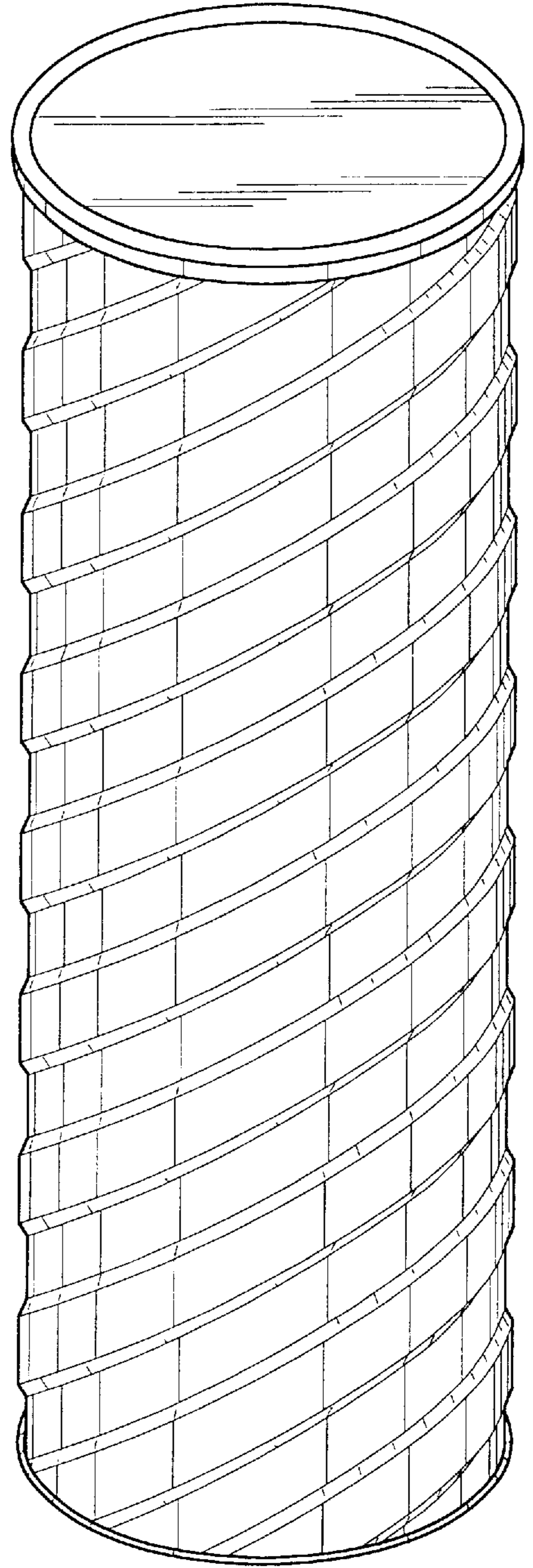


FIG. 6

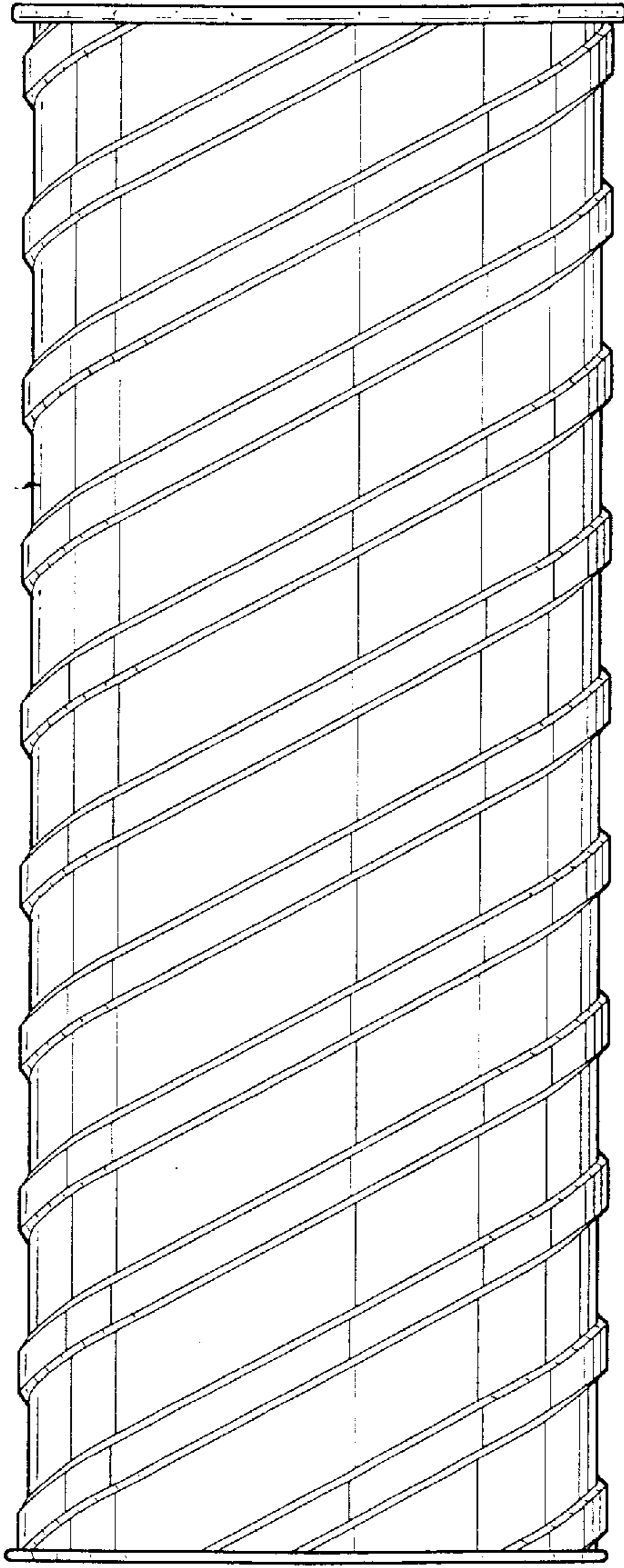


FIG. 7

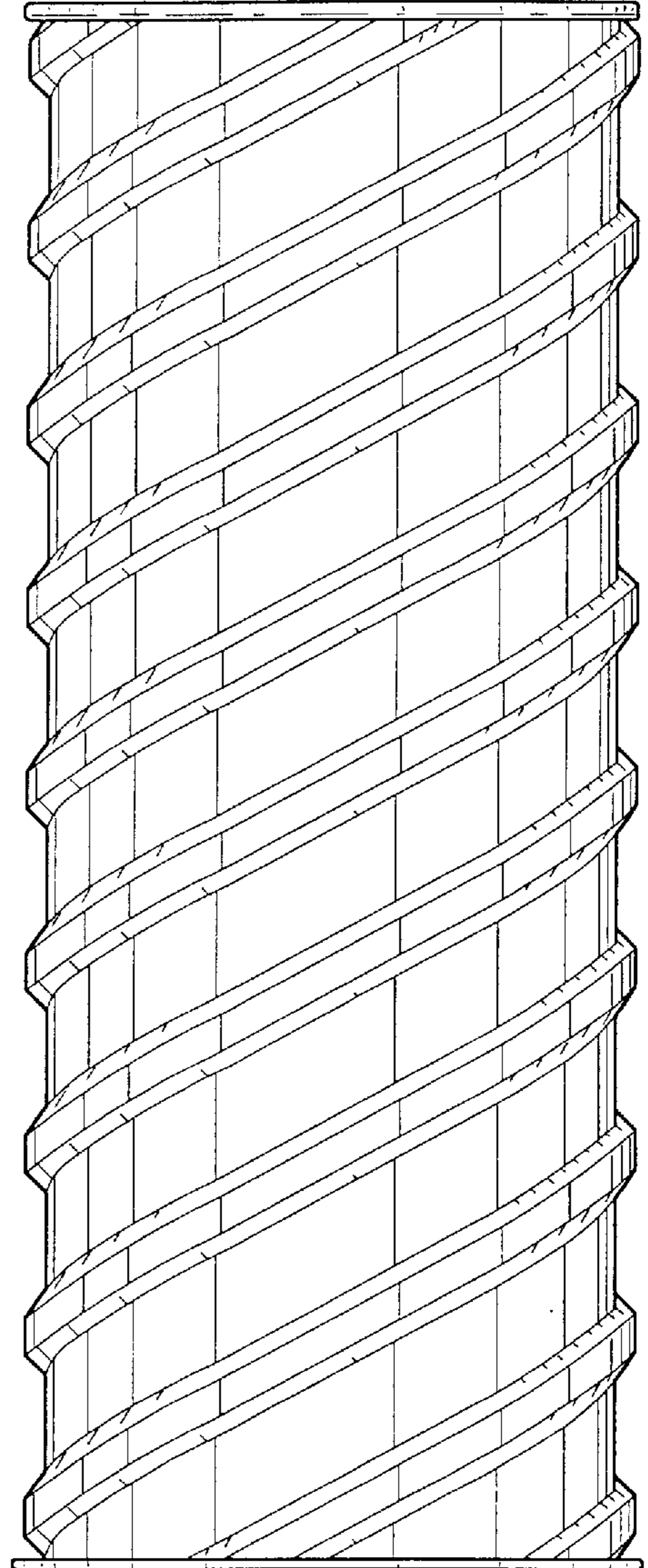


FIG. 8

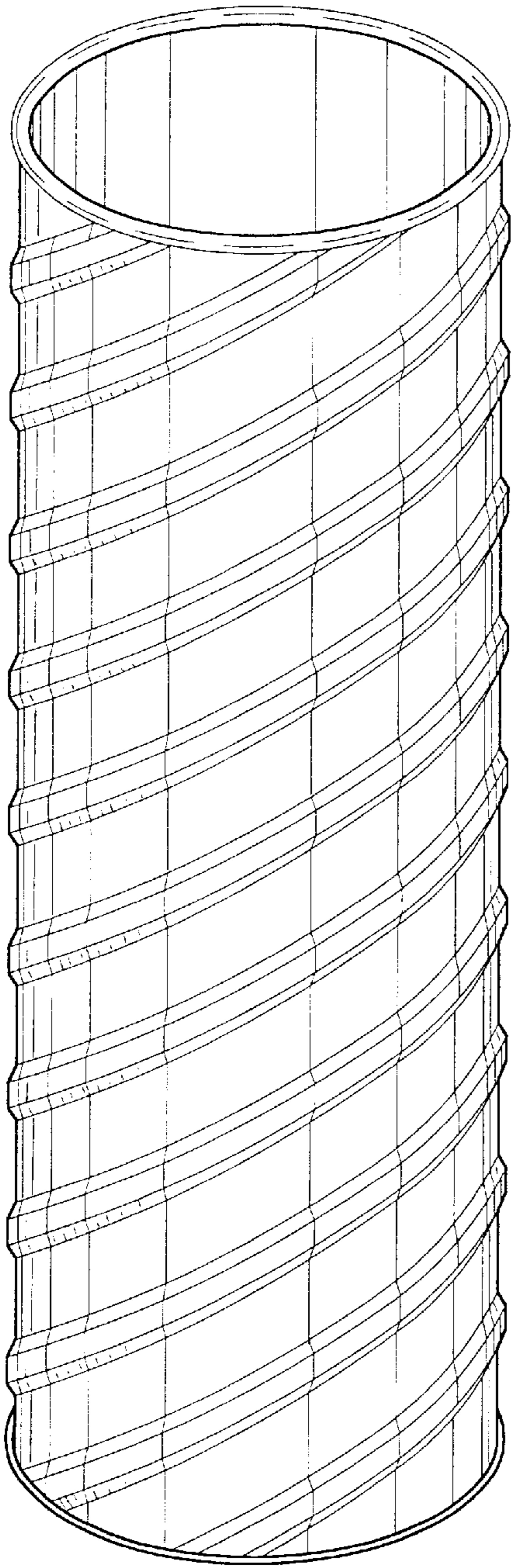


FIG. 9

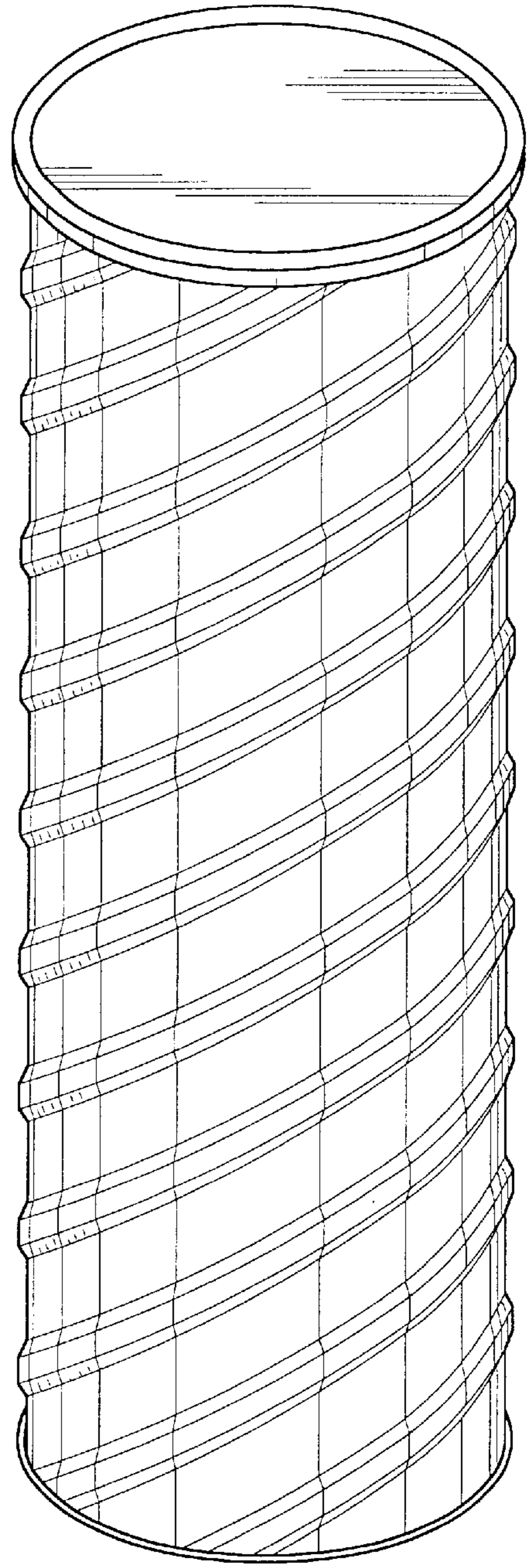


FIG. 10

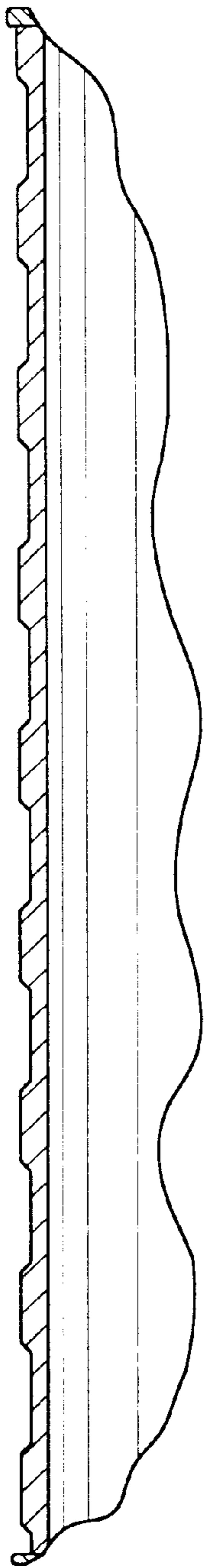


FIG. 11

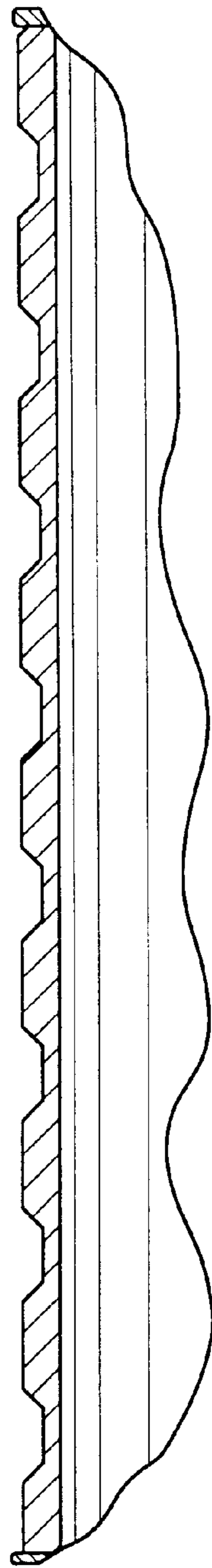


FIG. 12