



US00D420280S

United States Patent [19]
Wang

[11] **Patent Number: Des. 420,280**
[45] **Date of Patent: ** Feb. 8, 2000**

[54] **MULTI-SWIVEL CONNECTOR**

[75] Inventor: **Yong Wang**, Ossining, N.Y.

[73] Assignee: **Unex Corporation**, Mahwah, N.J.

[**] Term: **14 Years**

[21] Appl. No.: **29/104,025**

[22] Filed: **Apr. 27, 1999**

Related U.S. Application Data

[62] Division of application No. 29/097,703, Dec. 11, 1998.

[51] **LOC (7) Cl.** **08-08**

[52] **U.S. Cl.** **D8/382**

[58] **Field of Search** D8/382; 403/292,
403/295-296, 405.1

[56] **References Cited**

U.S. PATENT DOCUMENTS

D. 373,720 9/1996 Hirano et al. D8/382

Primary Examiner—Holly Baynham
Attorney, Agent, or Firm—Michael J. Striker

[57] **CLAIM**

The ornamental design for a multi-swivel connector, as shown and described.

DESCRIPTION

FIG. 1 is a perspective view of a multi-swivel connector showing my new design;

FIG. 2 is an end view thereof;

FIG. 3 is the opposite end view thereof;

FIG. 4 is a side view thereof;

FIG. 5 is the opposite side view thereof;

FIG. 6 is a top plan view thereof; and,

FIG. 7 is a bottom view thereof.

1 Claim, 3 Drawing Sheets

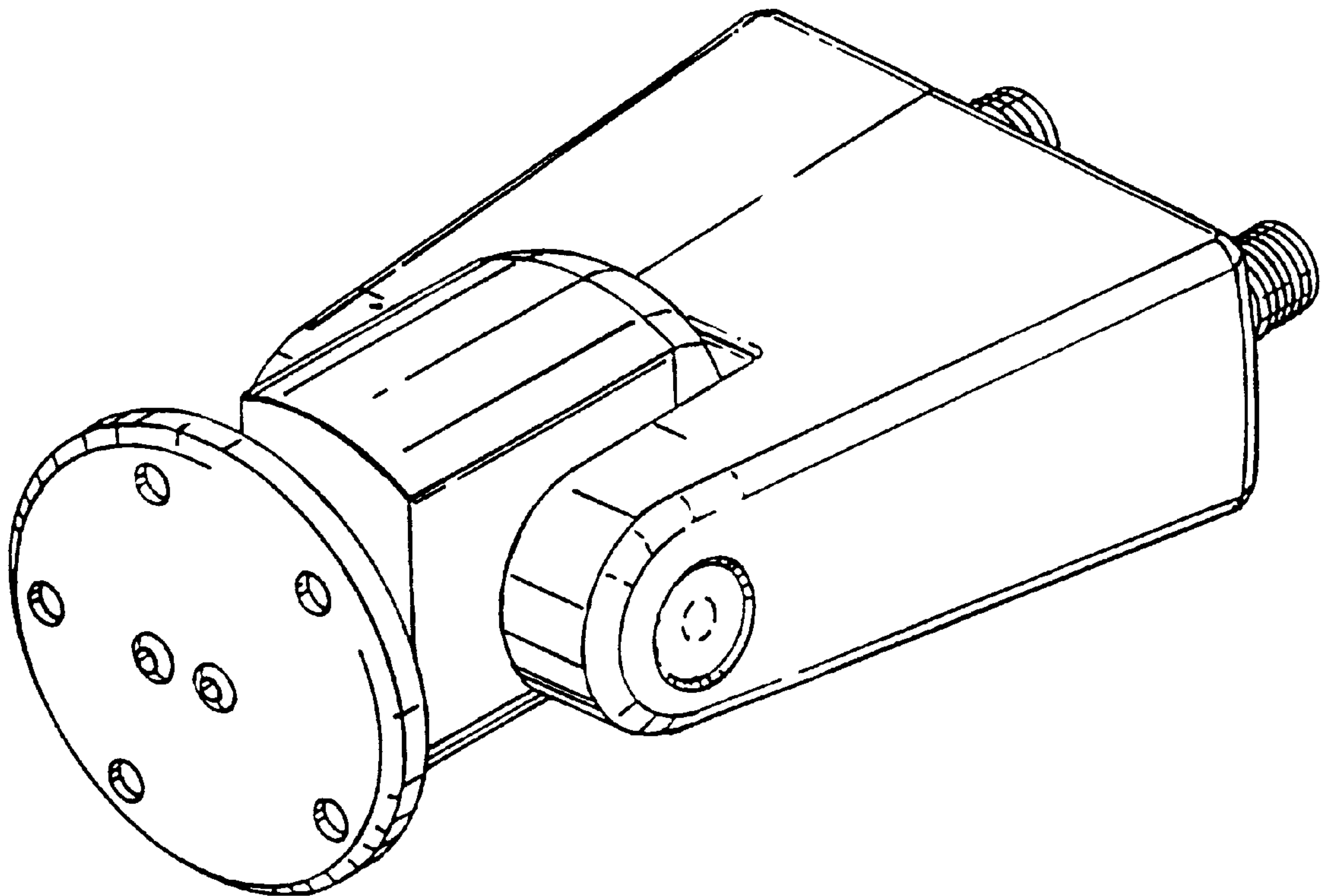


FIG. 1

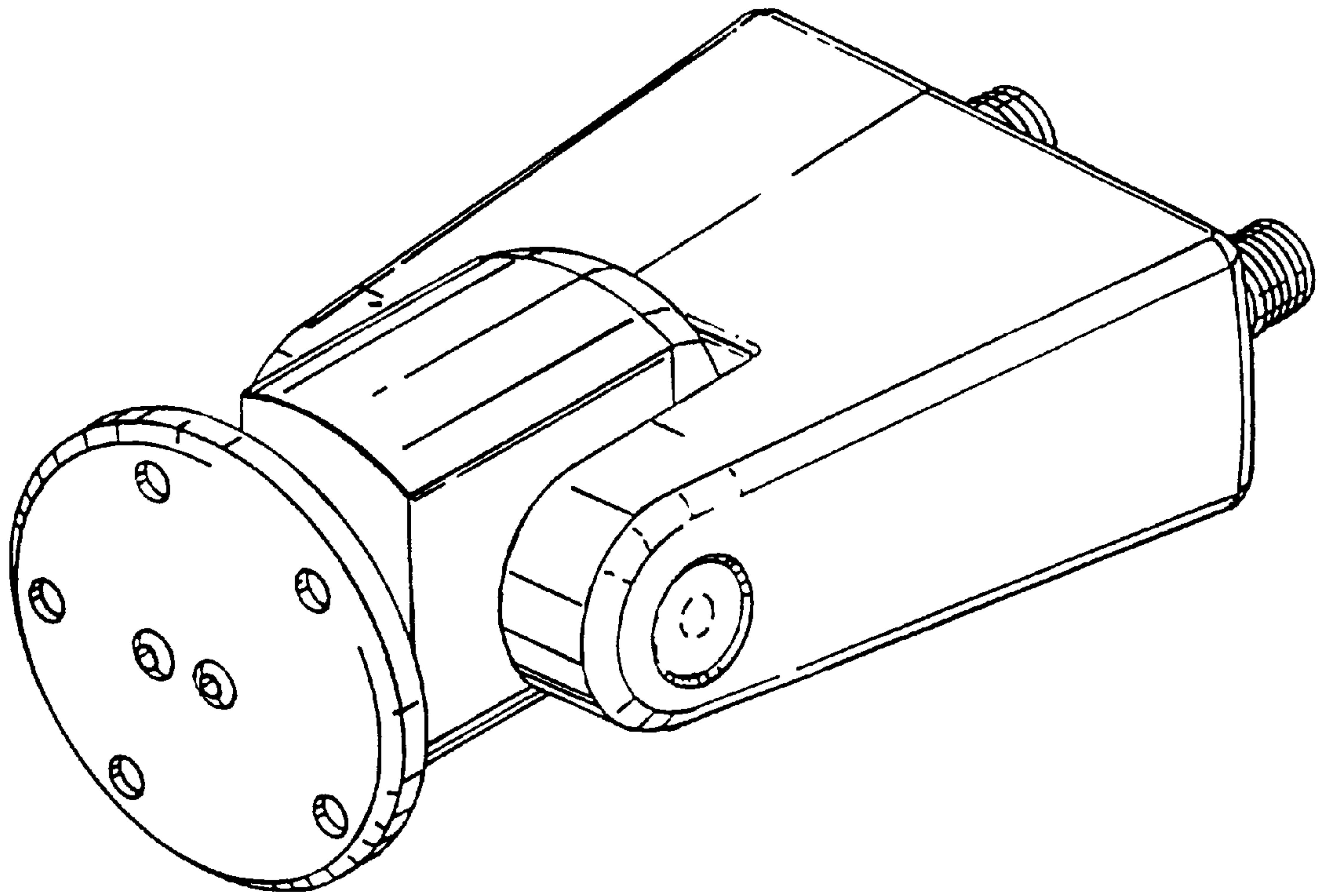


FIG. 2

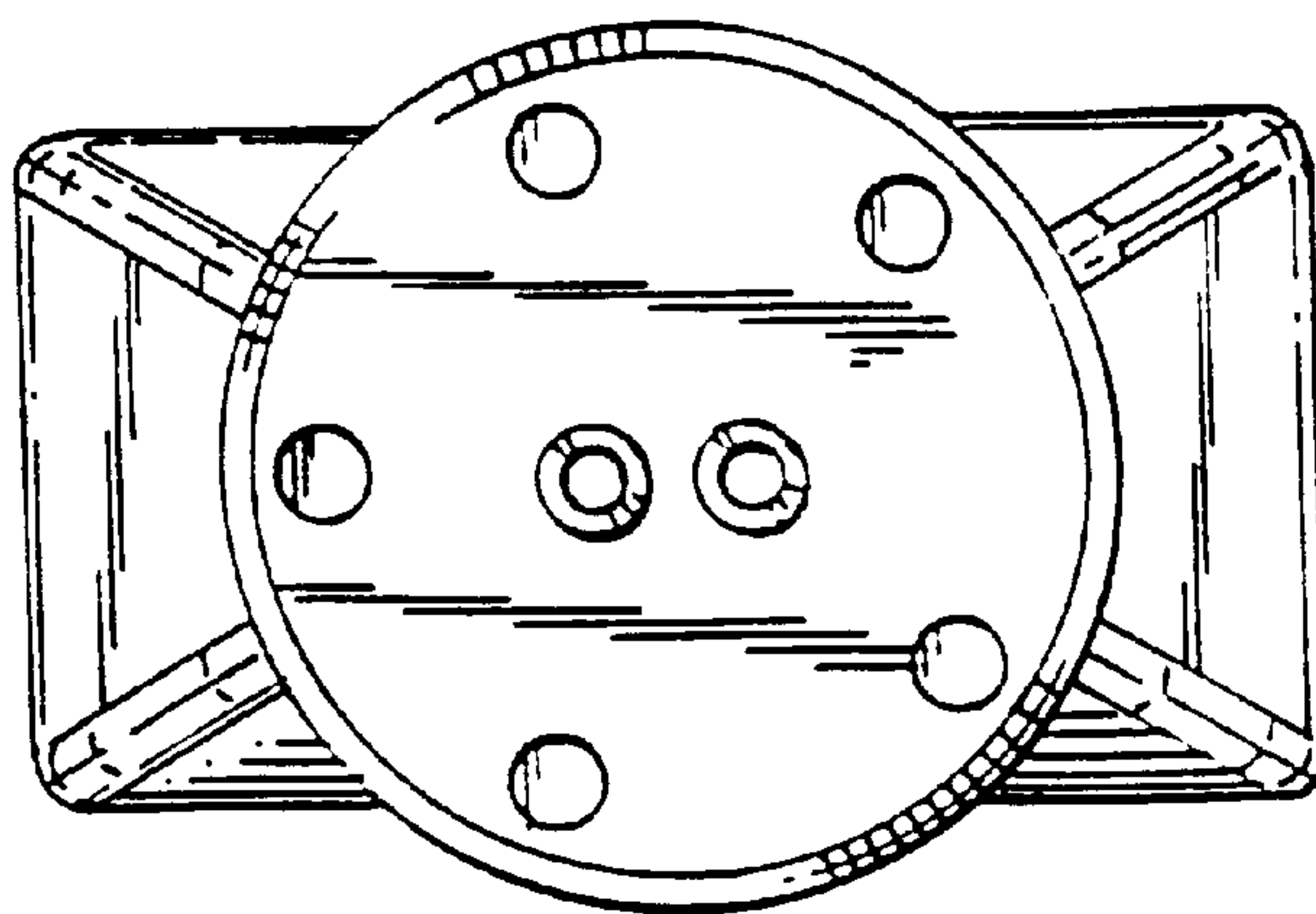


FIG. 3

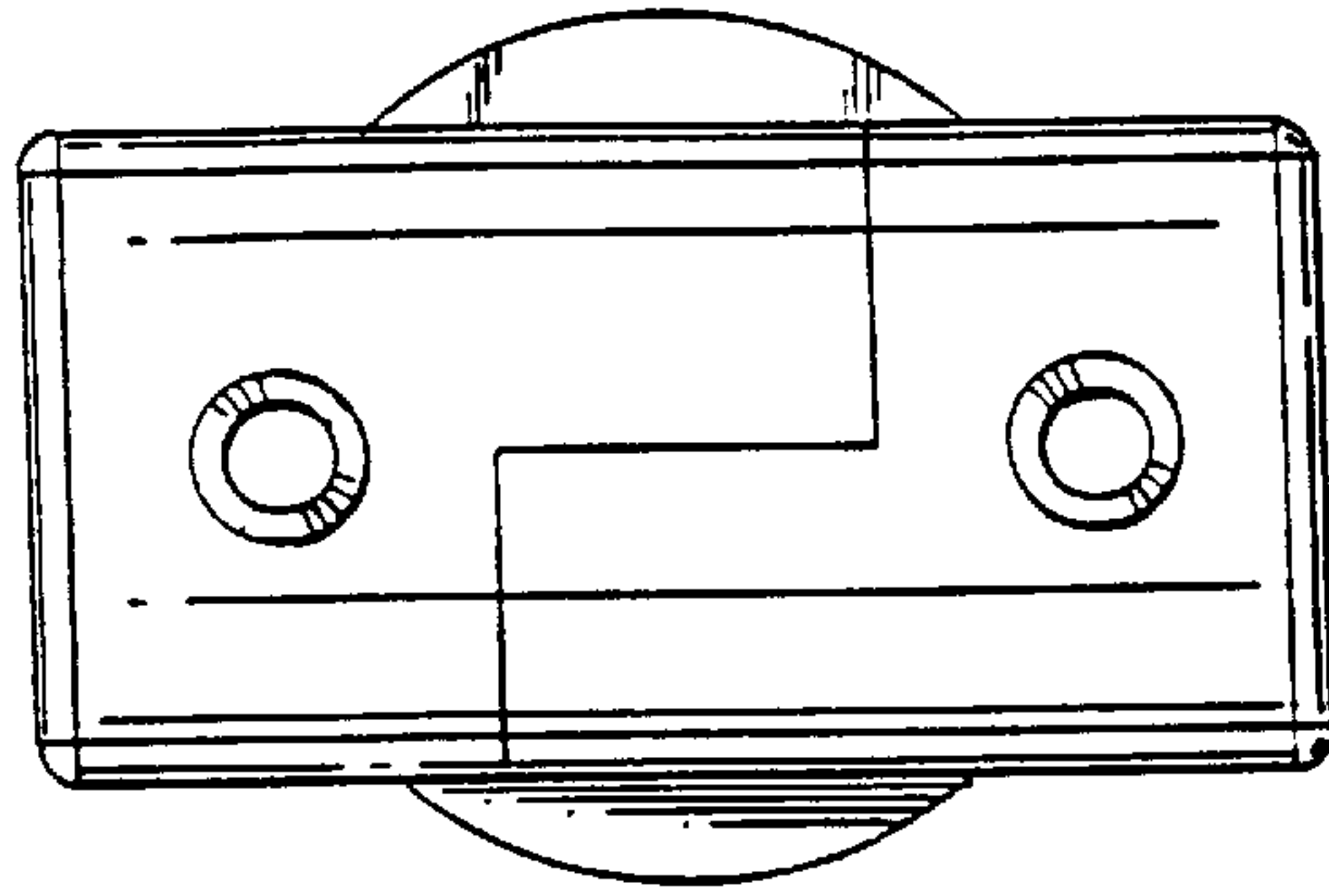


FIG. 4

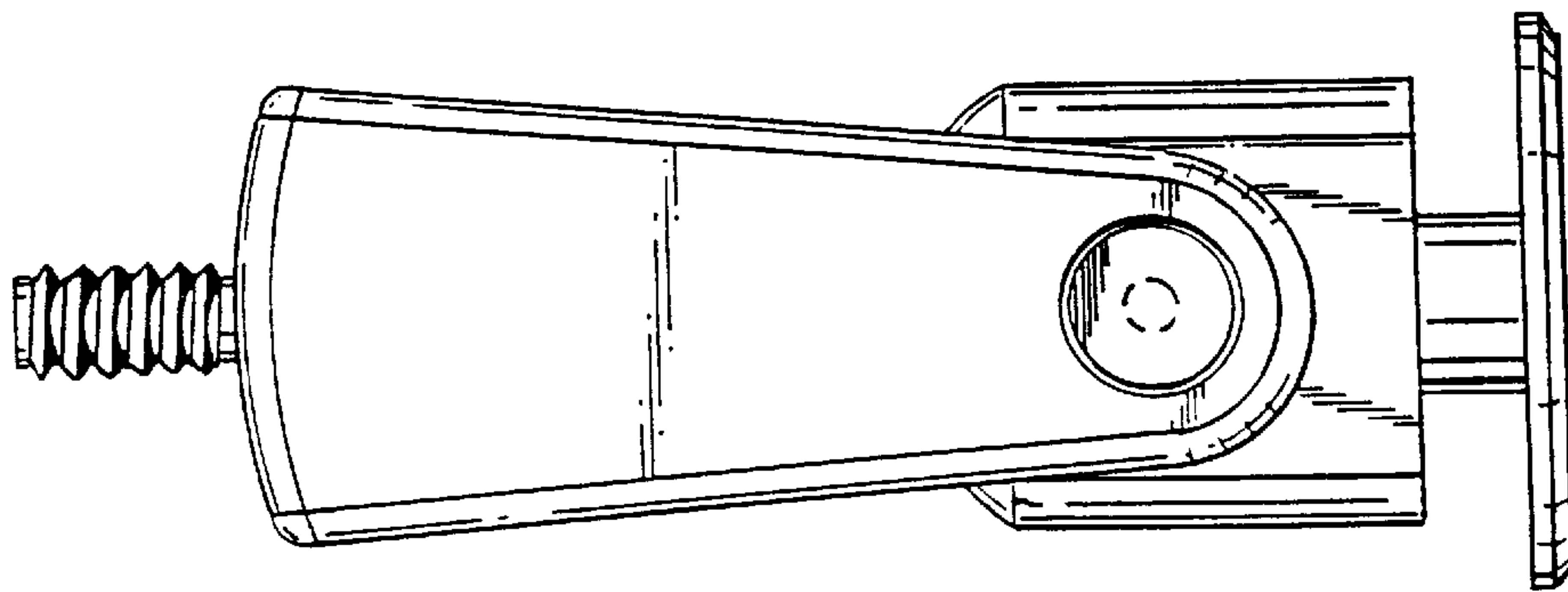


FIG. 5

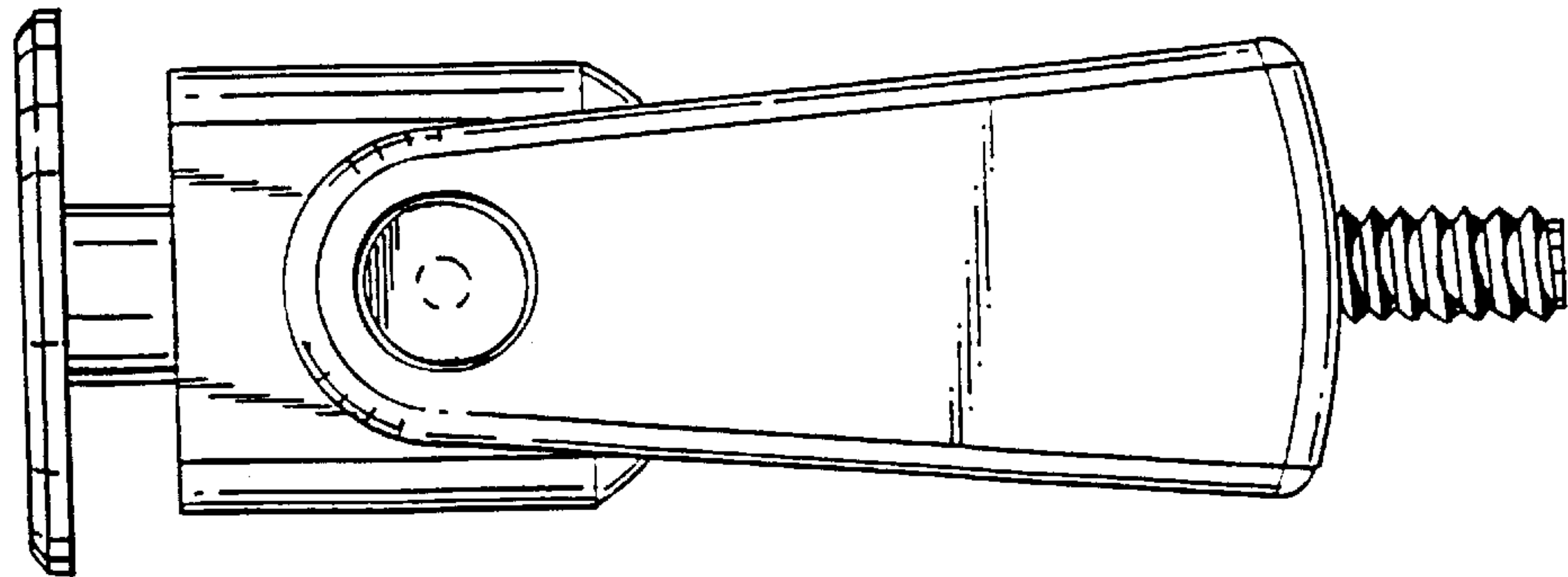


FIG. 6

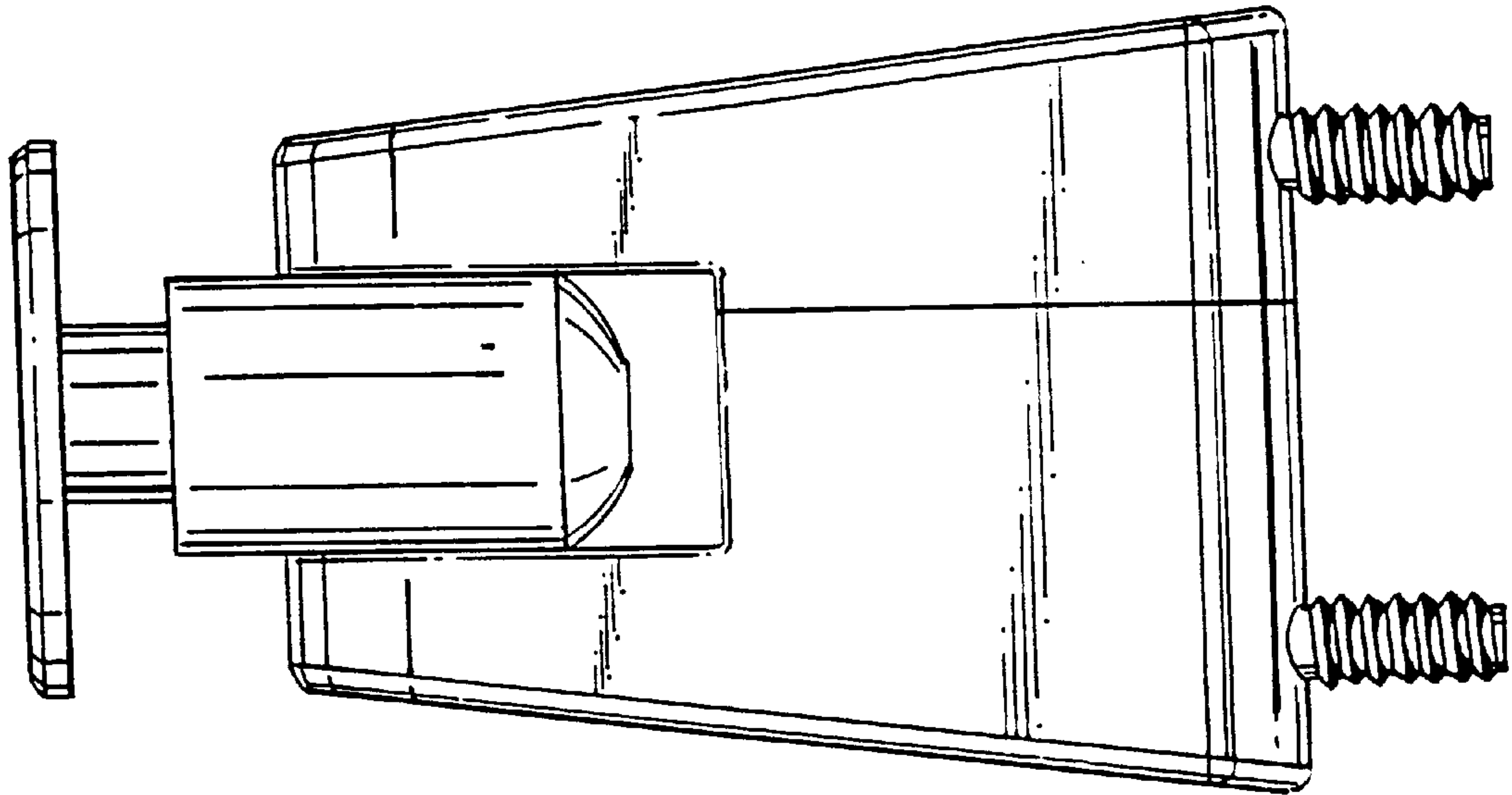


FIG. 7

