



US00D420278S

United States Patent [19]
Coffey et al.

[11] **Patent Number: Des. 420,278**
[45] **Date of Patent: ** Feb. 8, 2000**

[54] **ANTI-ROTATION CLIP FOR NUTS AND BOLTS**

1,741,077 12/1929 Rusack 411/91
3,254,399 6/1966 Zahuranec 29/407.09

[75] Inventors: **Eugene M. Coffey**, Bacliff; **Robert B. Taylor**, Baytown, both of Tex.

Primary Examiner—Holly Baynham
Attorney, Agent, or Firm—Kenneth A. Roddy

[73] Assignee: **Muskegon Tools, L.L.C.**, Muskegon, Mich.

[**] Term: **14 Years**

[57] **CLAIM**

The ornamental design for an anti-rotation clip for nuts and bolts, as shown and described.

[21] Appl. No.: **29/083,218**

[22] Filed: **Feb. 4, 1998**

DESCRIPTION

[51] **LOC (7) Cl.** **08-08**

FIG. 1 is an isometric view of an anti-rotation clip for nuts and bolts showing our new design from the top, one end and one side; and,

[52] **U.S. Cl.** **D8/382**

[58] **Field of Search** D8/397, 382, 399;
411/427, 120, 429, 910, 403, 91; 29/407.09

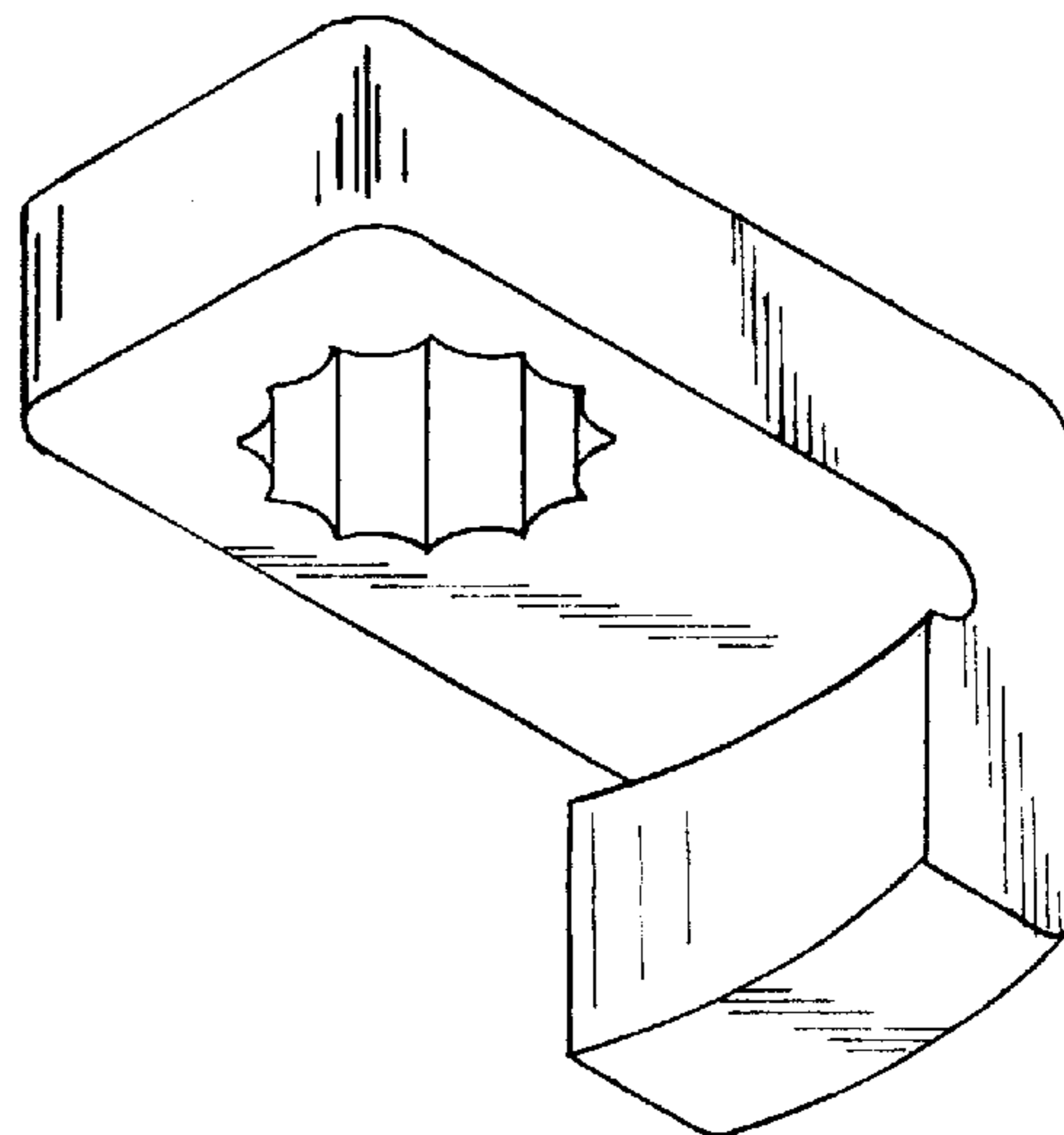
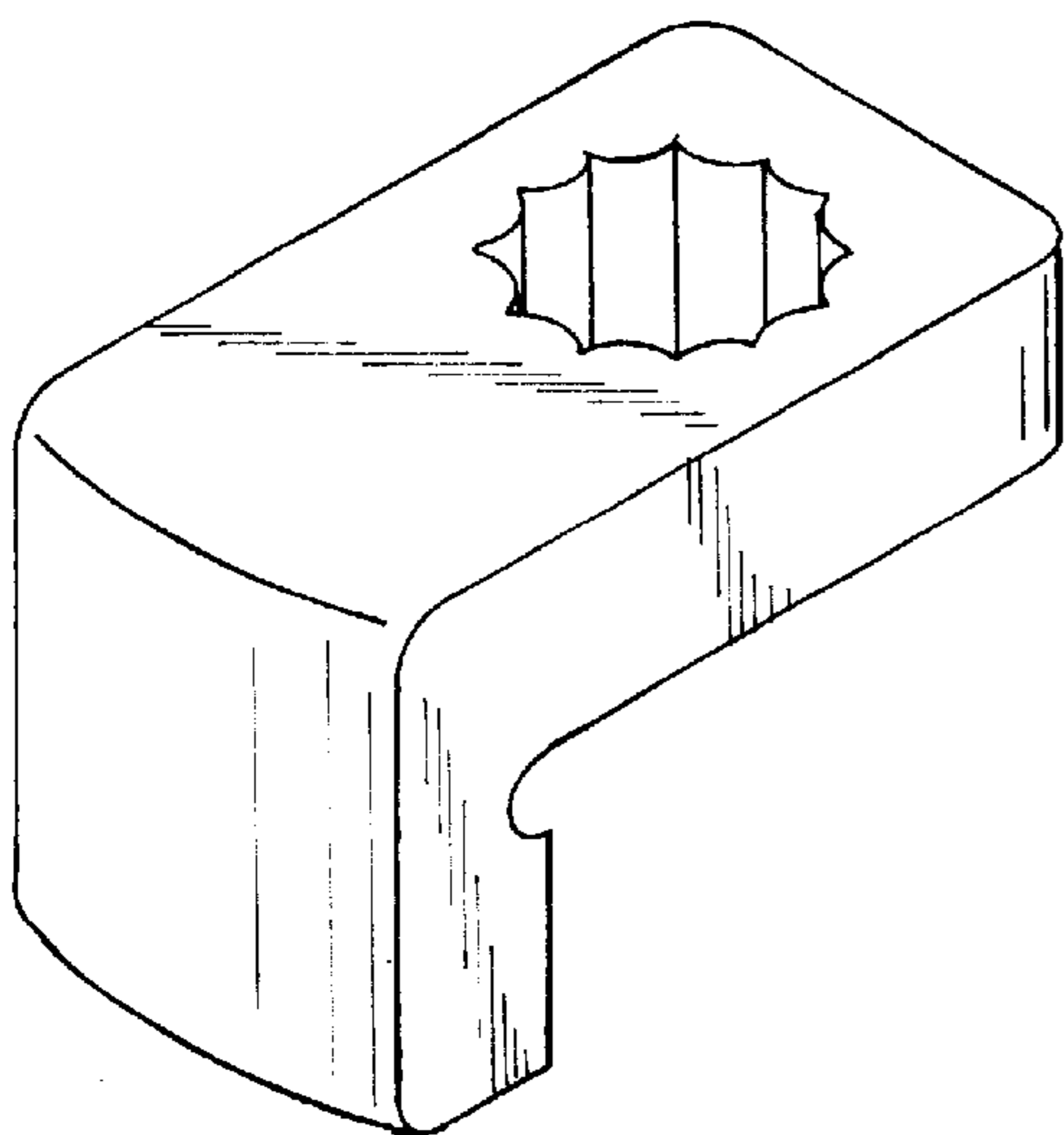
FIG. 2 is an isometric view thereof shown from the bottom, and the side and end opposite that shown in FIG. 1.

[56] **References Cited**

U.S. PATENT DOCUMENTS

D. 305,927 2/1990 Linderman et al. 411/120

1 Claim, 1 Drawing Sheet



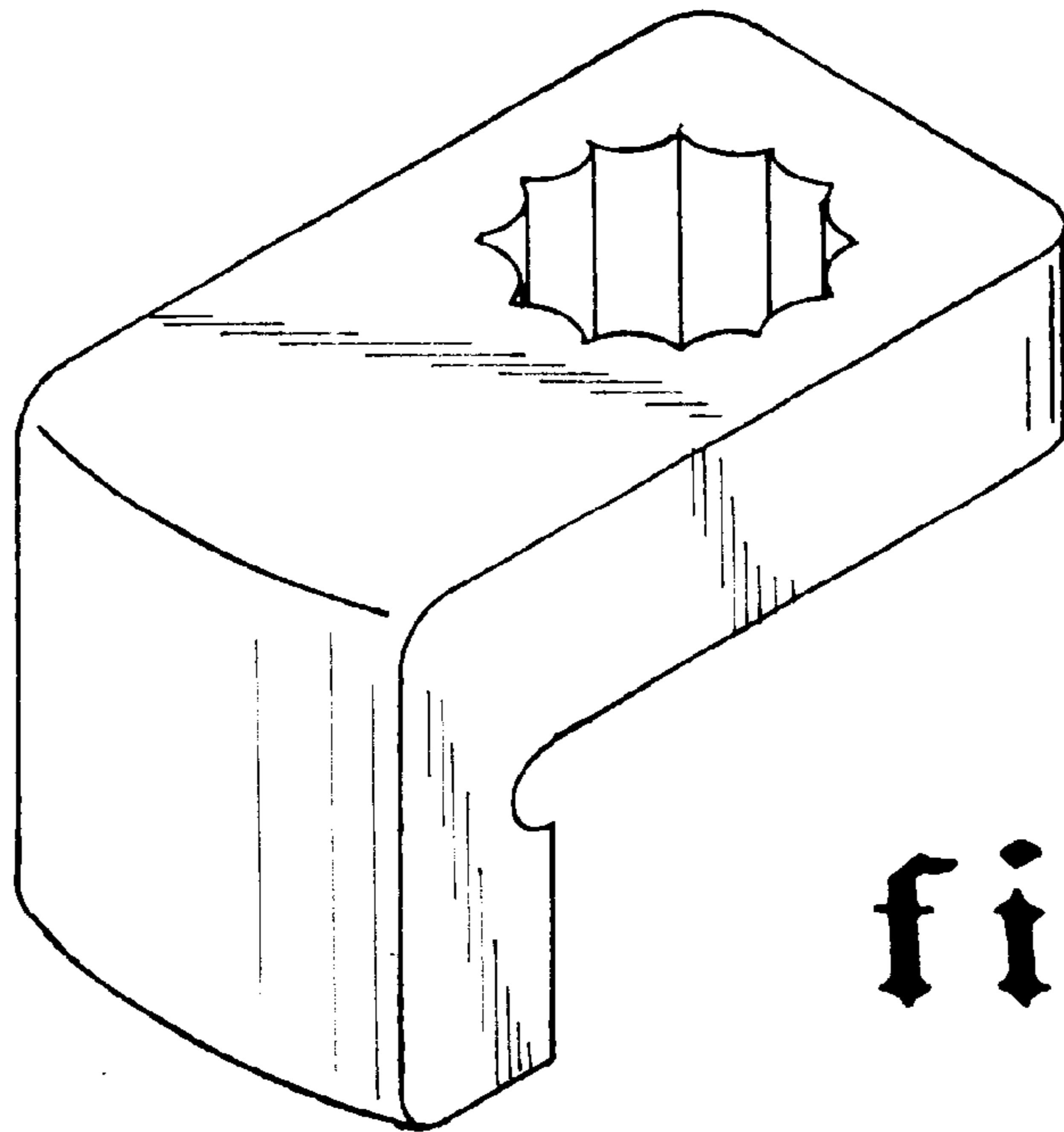


fig. 1

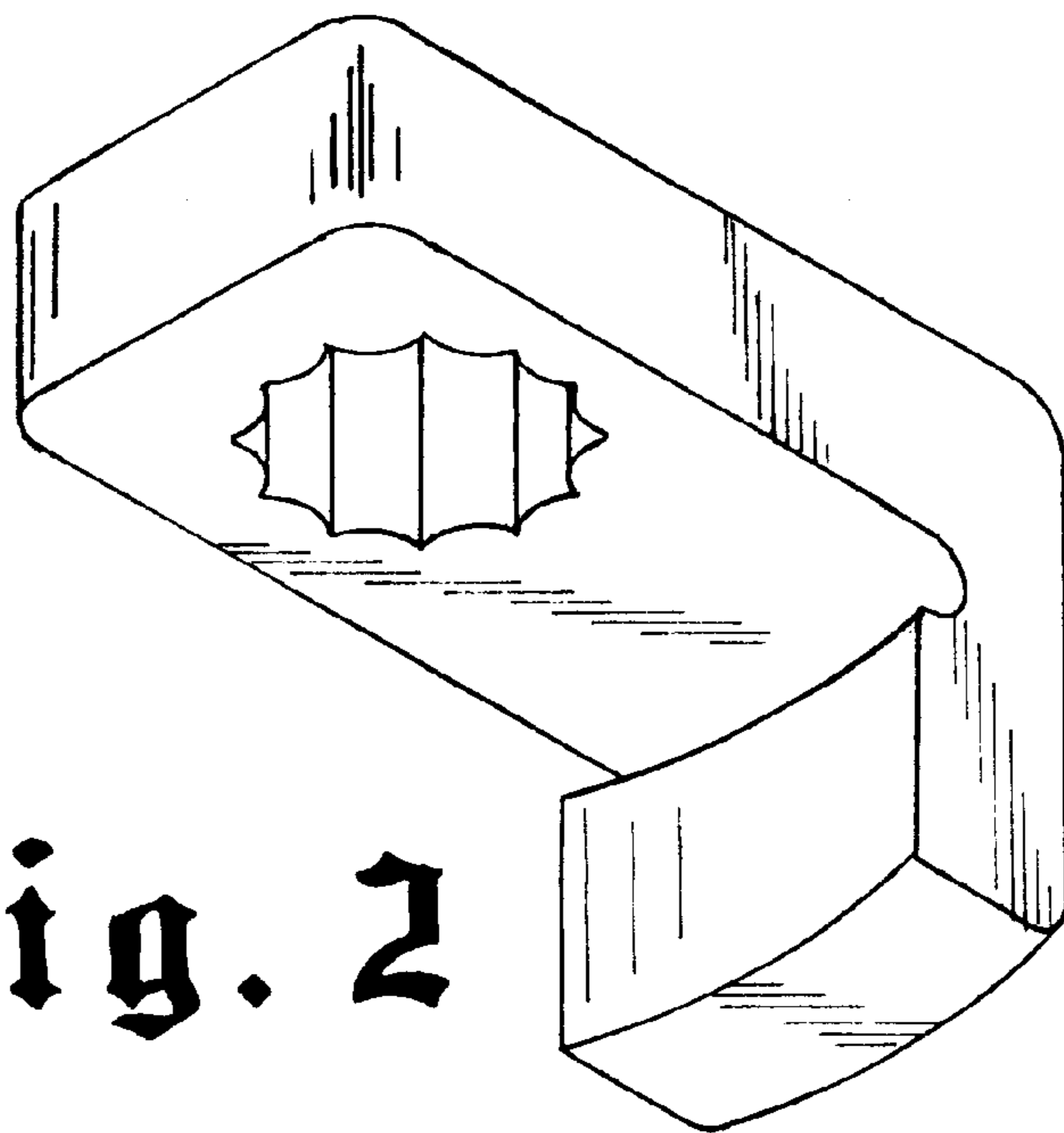


fig. 2