



US00D420277S

# United States Patent [19]

Burke et al.

[11] Patent Number: **Des. 420,277**

[45] Date of Patent: **\*\* Feb. 8, 2000**

[54] **STABILIZER FOR ELONGATED OBJECTS**

[75] Inventors: **John J. Burke; Douglas R Frederickson; Timothy J. Stults**, all of Spokane, Wash.

[73] Assignee: **First Services, L.L.C.**, Spokane, Wash.

[\*\*] Term: **14 Years**

[21] Appl. No.: **29/101,410**

[22] Filed: **Mar. 3, 1999**

[51] **LOC (7) Cl.** ..... **08-05**

[52] **U.S. Cl.** ..... **D8/380**

[58] **Field of Search** ..... D8/380, 349, 354; 248/188.1, 188.2, 346.01, 346.05, 146

[56] **References Cited**

**U.S. PATENT DOCUMENTS**

D. 222,578	11/1971	Walker et al. ....	D8/380
D. 399,727	10/1998	Richter .....	D8/380
3,799,600	3/1974	Chappell .....	294/31.2
3,817,435	6/1974	De Luca et al. ....	224/45
4,023,761	5/1977	Molis .....	248/313
4,241,810	12/1980	Newlon .....	188/1 C
4,249,657	2/1981	Bates .....	248/346.02 X

4,442,991	4/1984	Levens .....	248/146
4,555,083	11/1985	Carter .....	248/313
4,753,474	6/1988	Radford .....	294/160
4,832,398	5/1989	Tecca et al. ....	294/151
5,065,688	11/1991	Moody .....	114/238
5,346,165	9/1994	Frean et al. ....	248/146
5,549,339	8/1996	Frean .....	294/31.2

*Primary Examiner*—Holly Baynham  
*Attorney, Agent, or Firm*—Wells, St. John, Roberts, Gregory & Matkin, P.S.

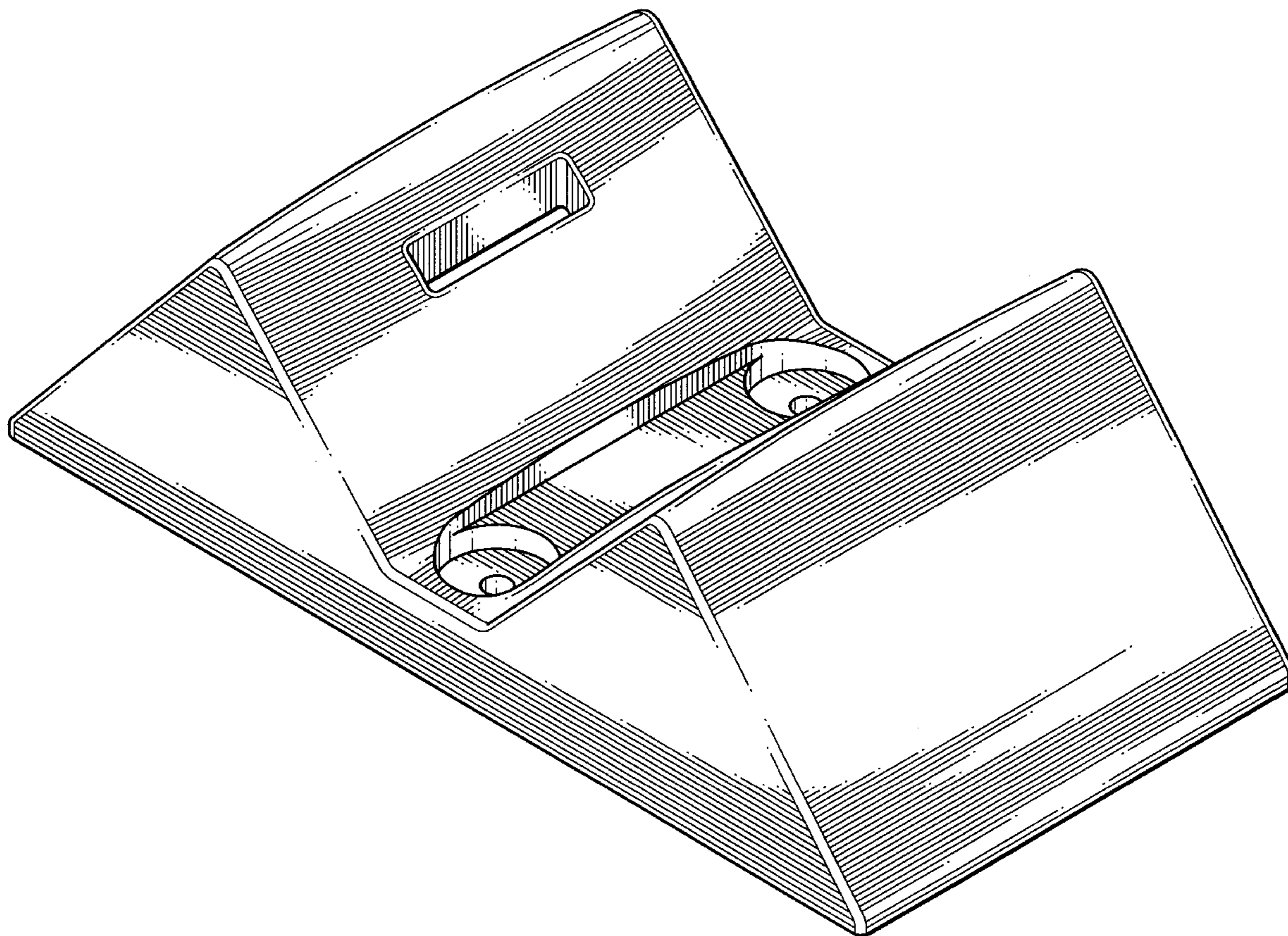
[57] **CLAIM**

The ornamental design for a stabilizer for elongated objects, as shown and described.

**DESCRIPTION**

FIG. 1 is a perspective view of a stabilizer for elongated objects showing our new design; FIG. 2 is a rear elevation view, the opposite, front view being a mirror image thereof; FIG. 3 is a top plan view, the opposite bottom plan being unornamented and not constituting part of the claimed design; and, FIG. 4 is a left end elevation view, the opposite right end being a mirror image thereof.

**1 Claim, 2 Drawing Sheets**



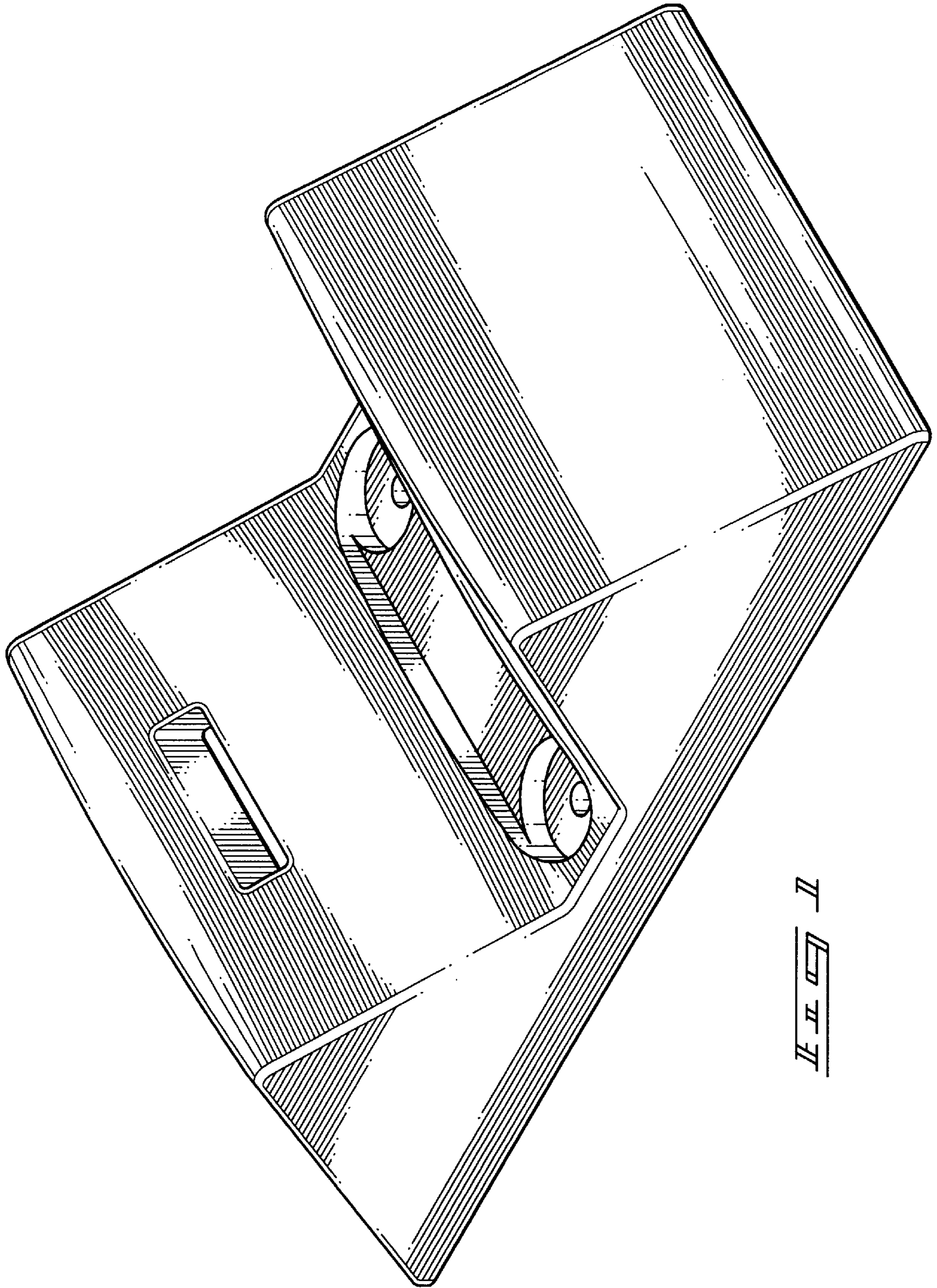
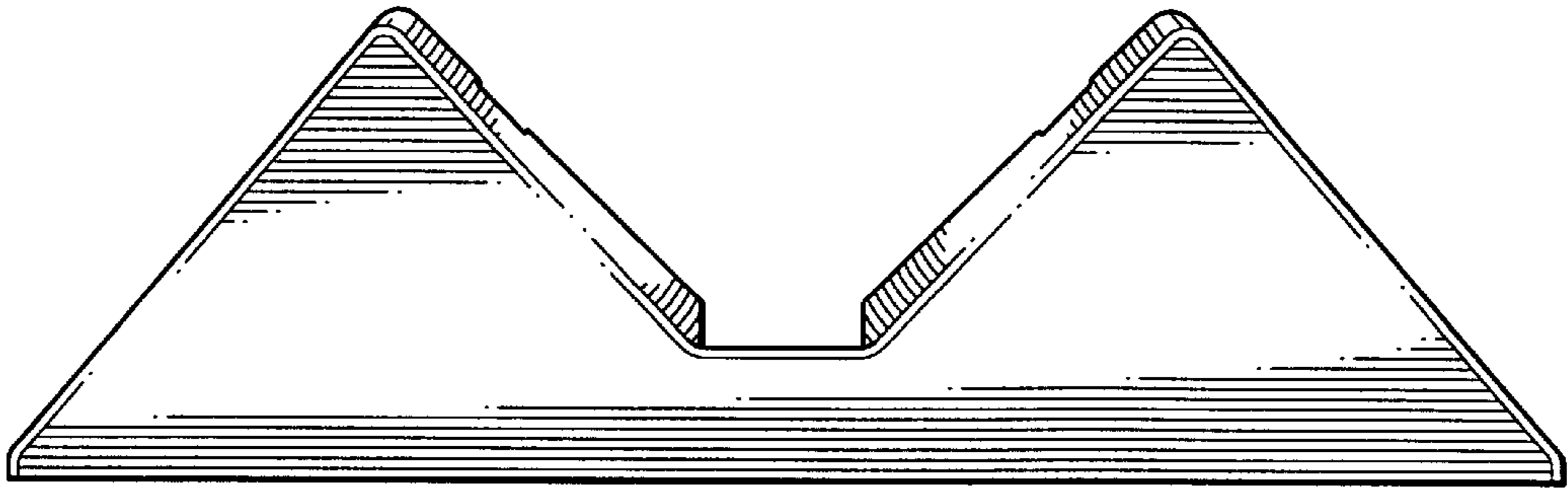
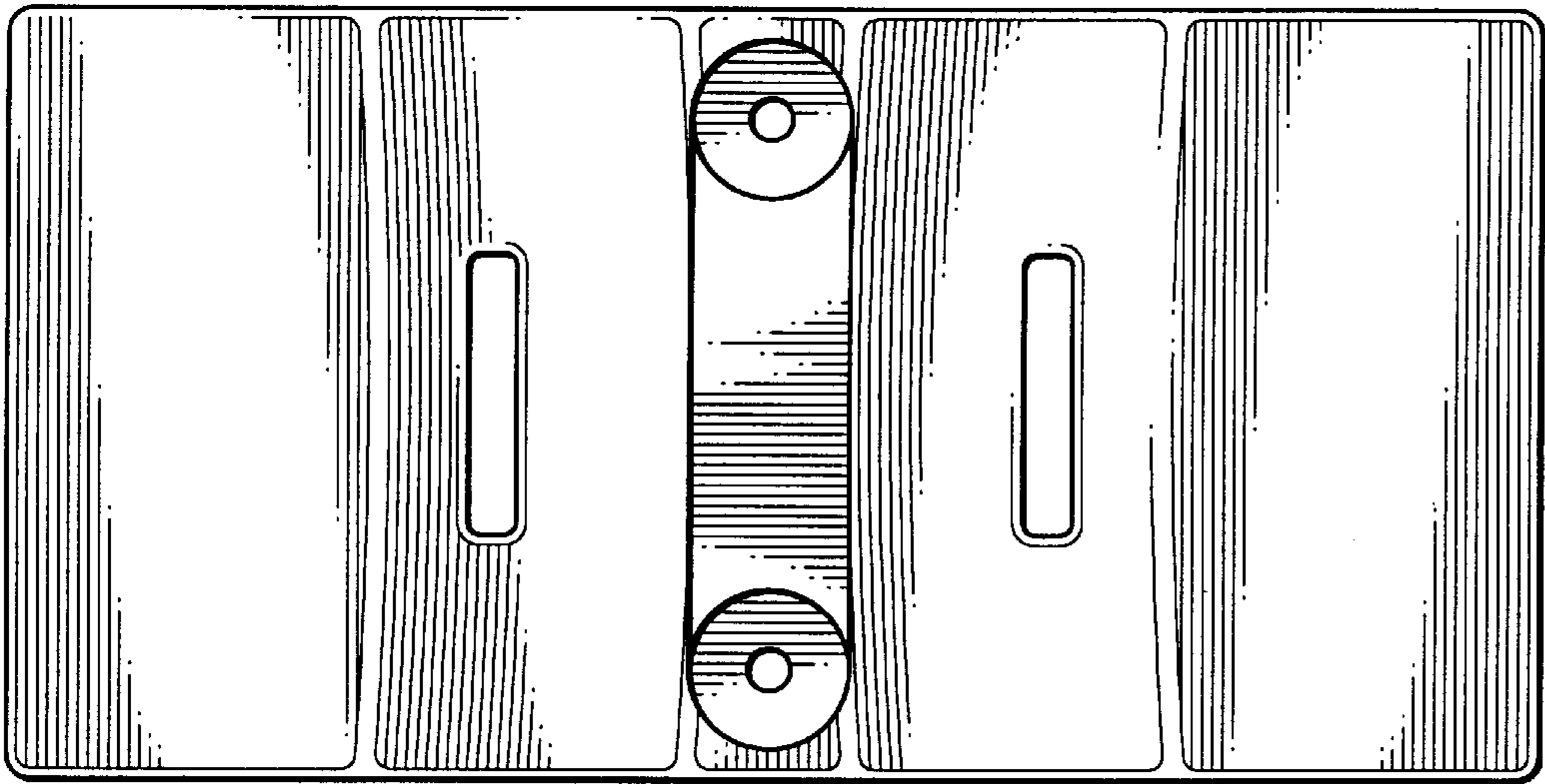


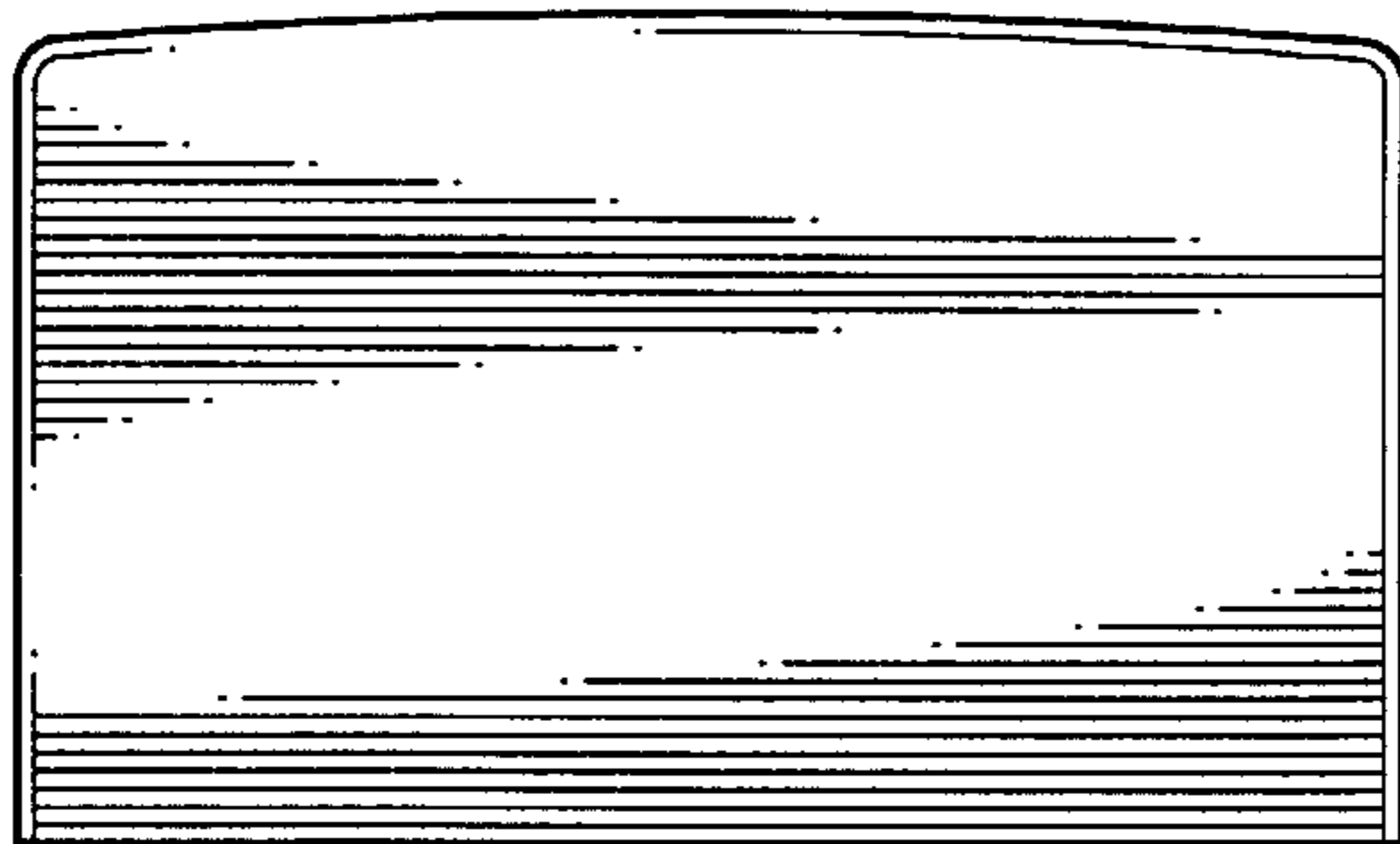
FIG. 1



*Fig. 2*



*Fig. 3*



*Fig. 4*