



US00D420276S

United States Patent [19] Vian

[11] Patent Number: Des. 420,276

[45] Date of Patent: ** Feb. 8, 2000

[54] AIR HOSE RETAINER

5,806,822 9/1998 Schulz 248/309.1

[76] Inventor: Donald R. Vian, 1501 Industrial Dr.,
Auburn, Calif. 95603

Primary Examiner—Holly Baynham
Attorney, Agent, or Firm—Heisler & Associates

[**] Term: 14 Years

[57] CLAIM

[21] Appl. No.: 29/103,578

The ornamental design for an air hose retainer, as shown and described.

[22] Filed: Apr. 16, 1999

DESCRIPTION

[51] LOC (7) Cl. 08-05

[52] U.S. Cl. D8/356

[58] Field of Search D8/356, 359, 396;
248/83, 87, 311.2, 56, 300, 68.1, 74.1-74.2

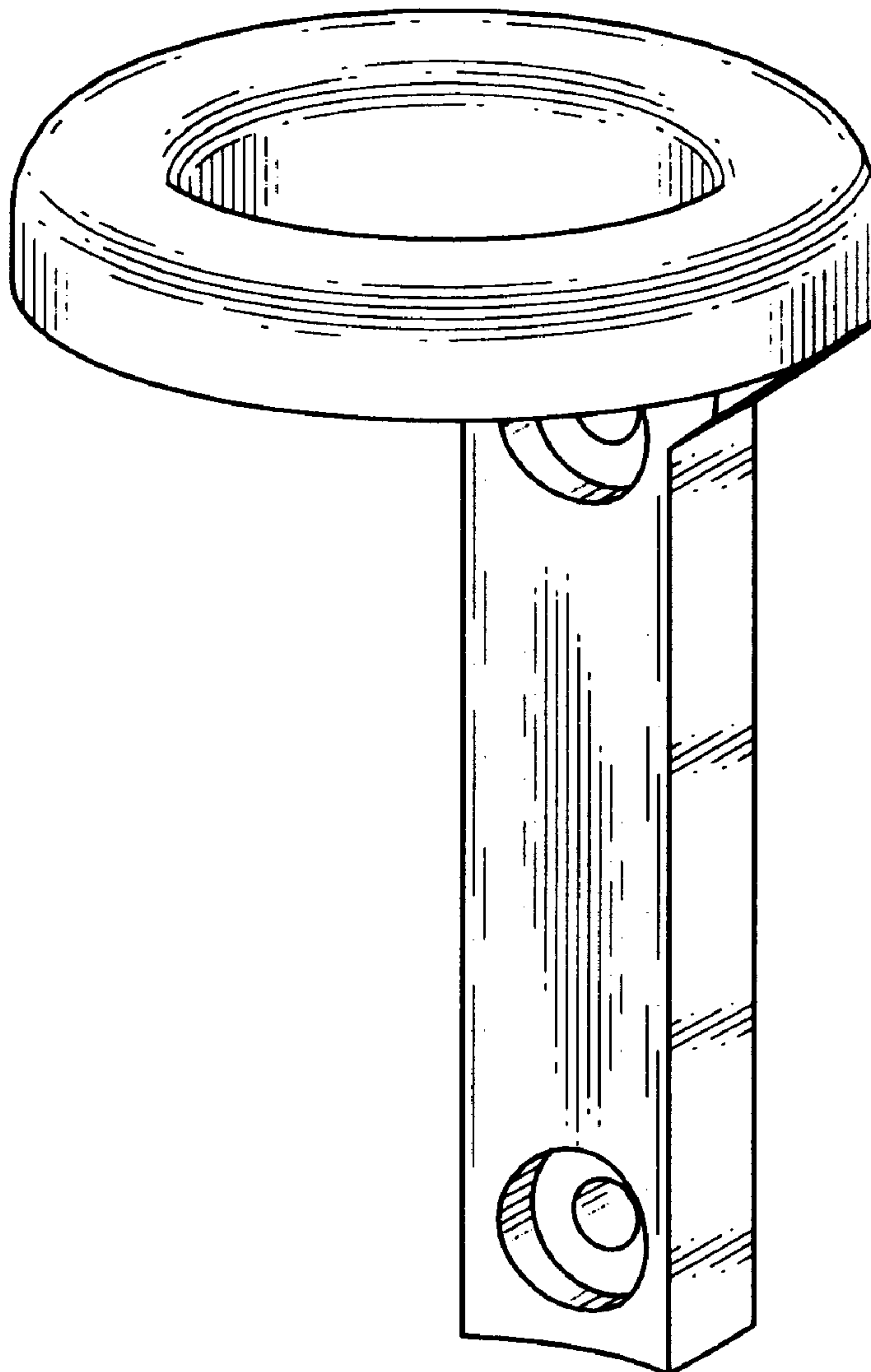
FIG. 1 is a perspective view of the invention;
FIG. 2 is a top plan view of the invention;
FIG. 3 is a bottom plan view of the invention;
FIG. 4 is a front elevation view of the invention;
FIG. 5 is a right side view of the invention, the left side view
being a mirror image; and,
FIG. 6 is a rear elevation view of the invention.

[56] References Cited

U.S. PATENT DOCUMENTS

D. 358,679 5/1995 Garrity D8/373 X
4,673,148 6/1987 Oliver 248/309.1 X

1 Claim, 1 Drawing Sheet



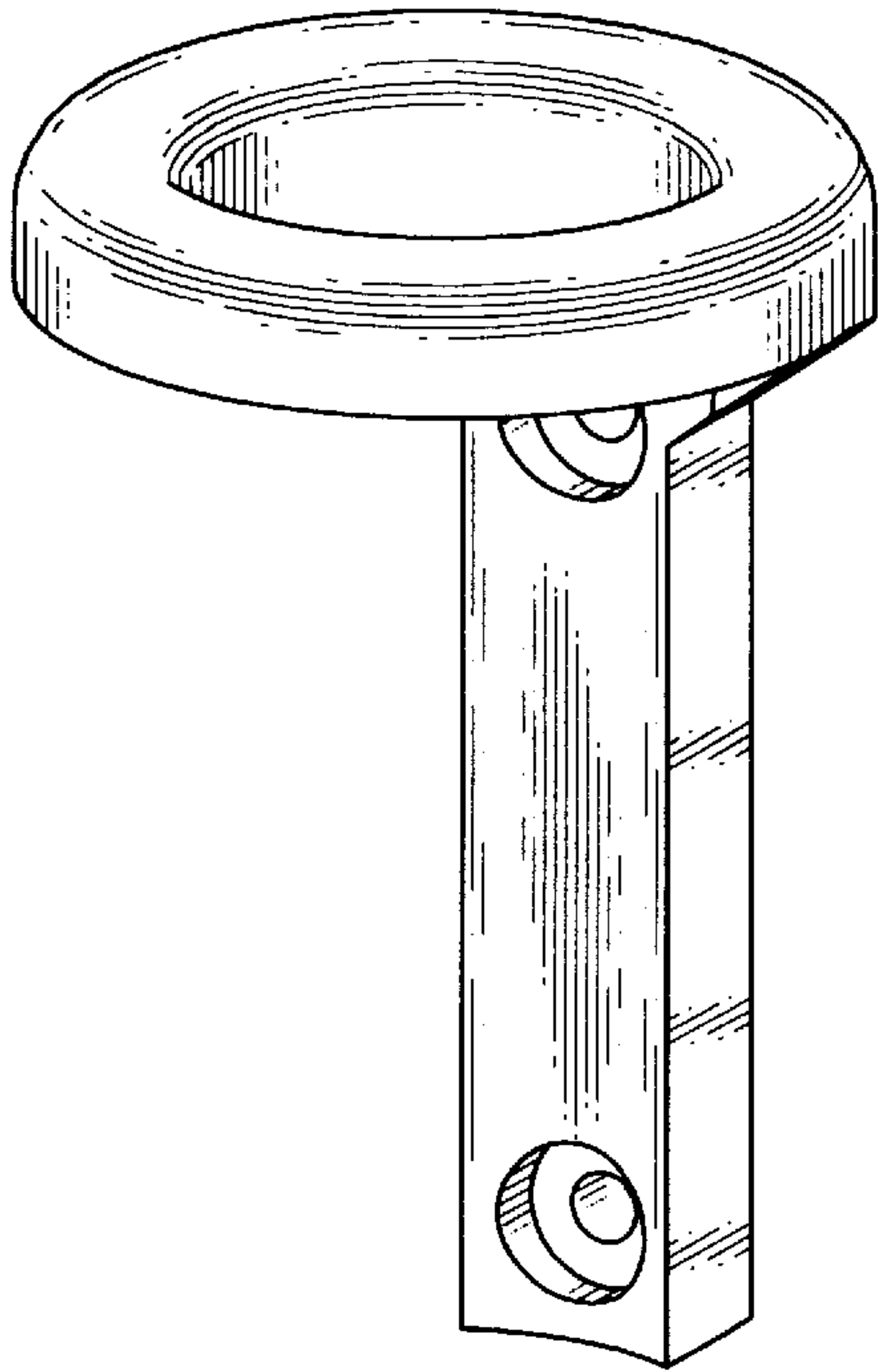


Fig. 1

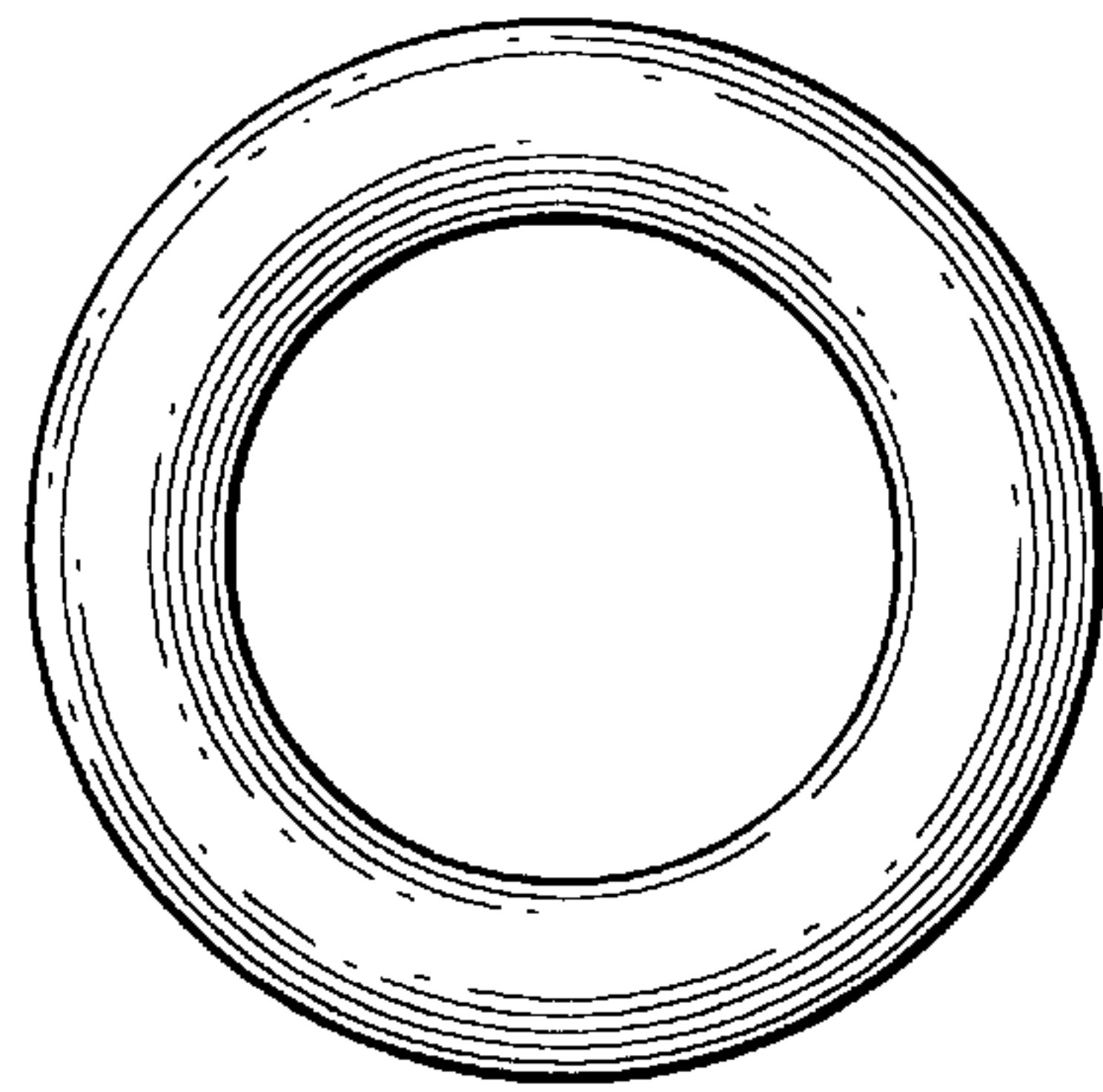


Fig. 2

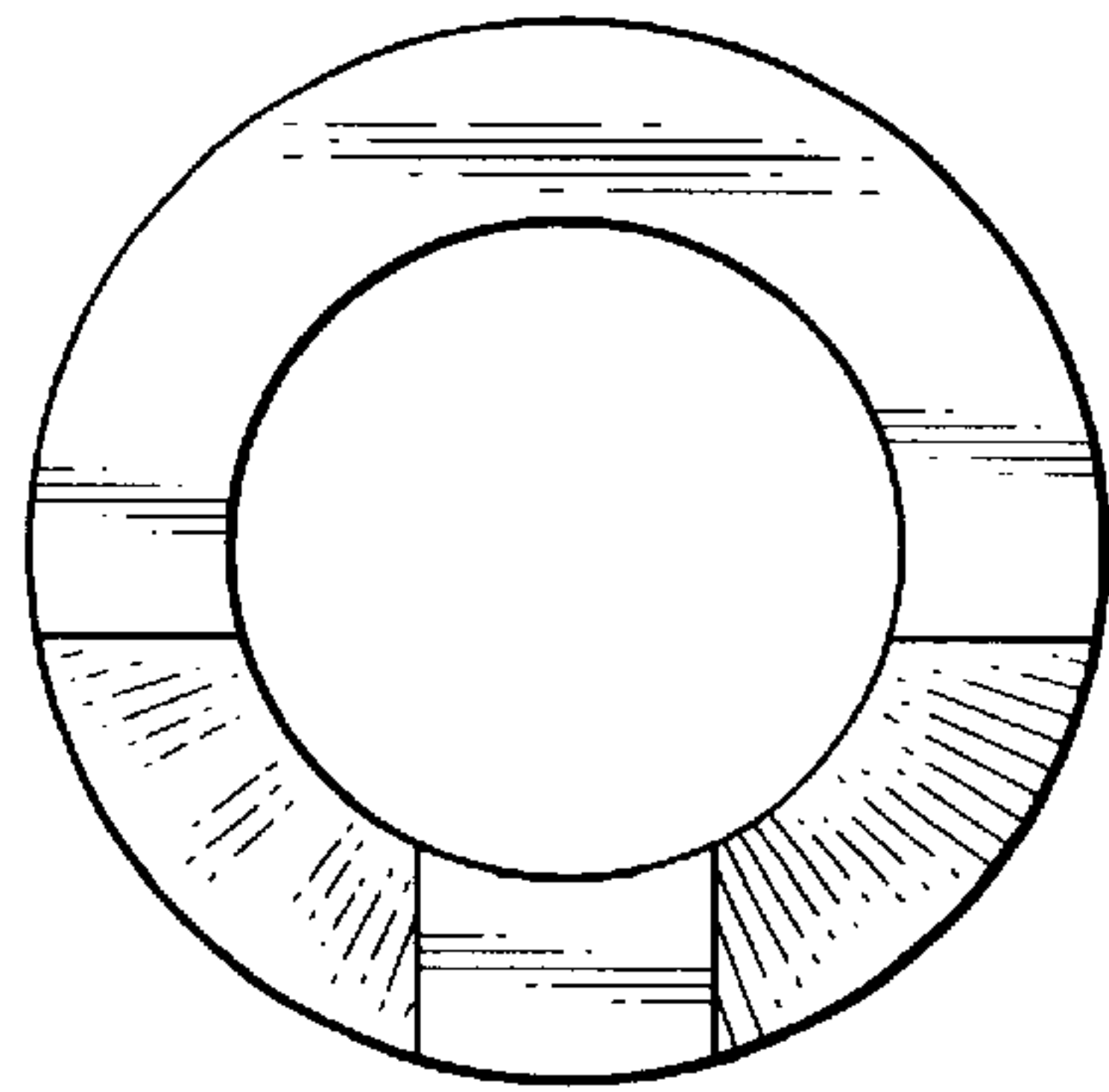


Fig. 3

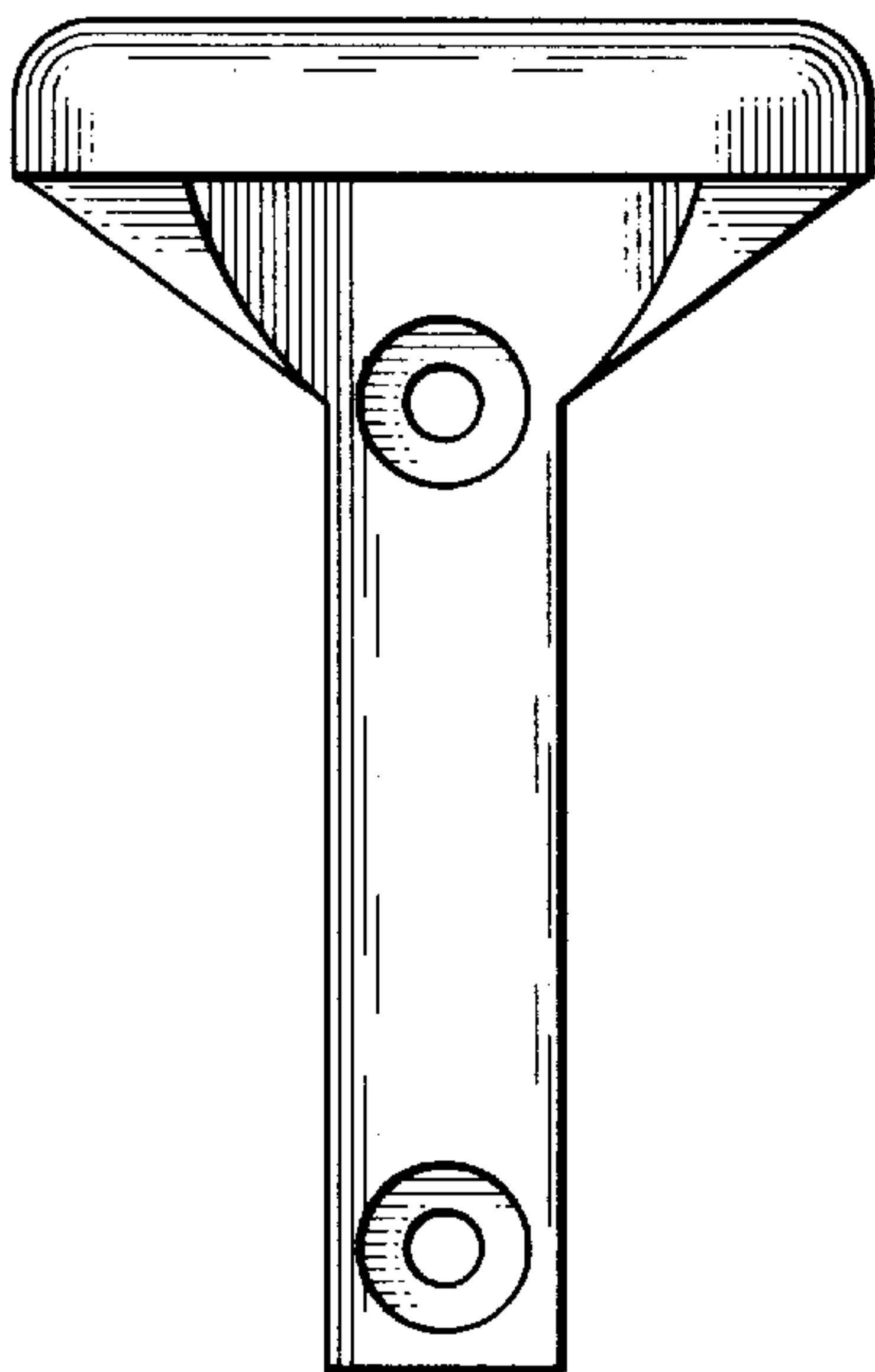


Fig. 4

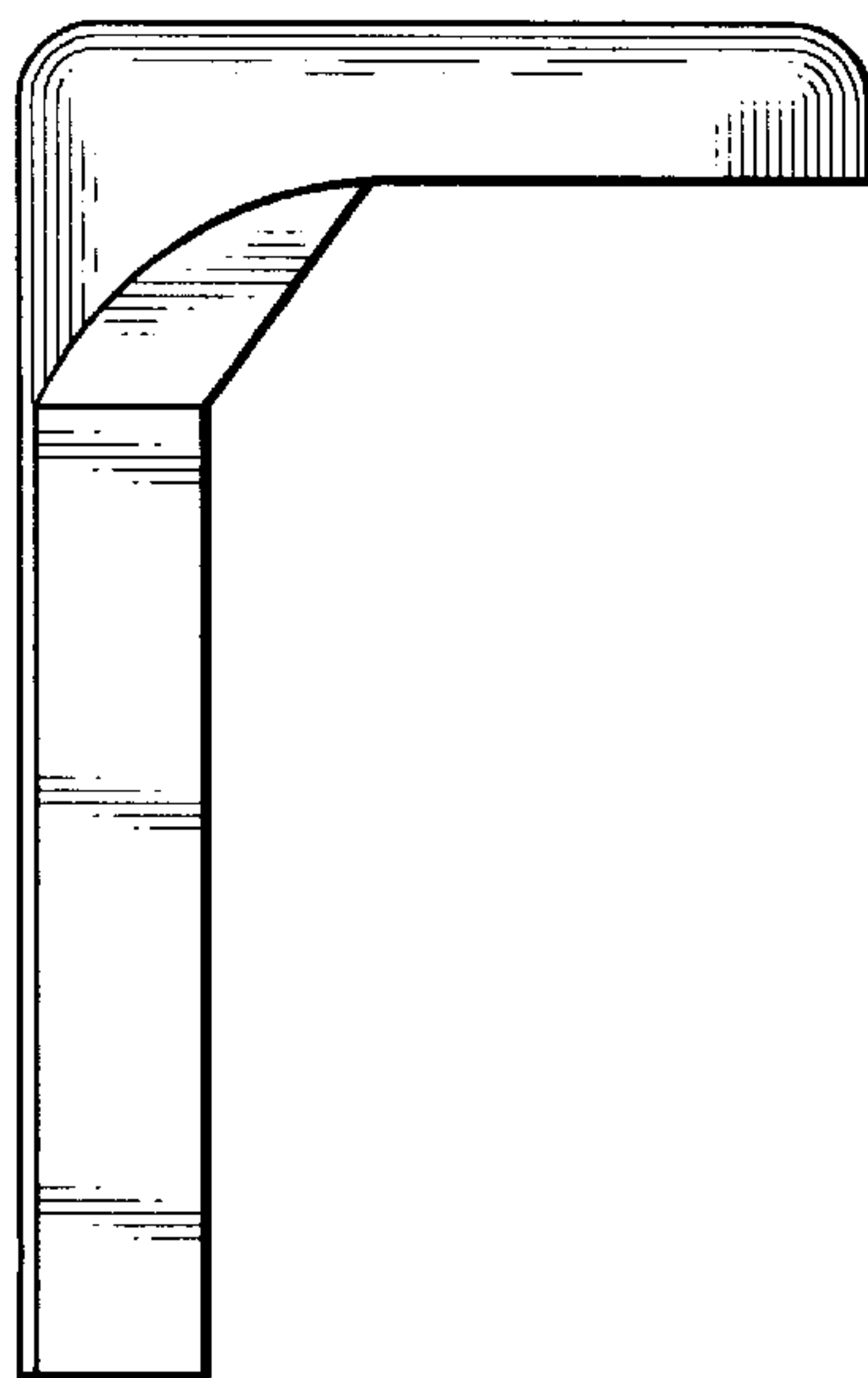


Fig. 5

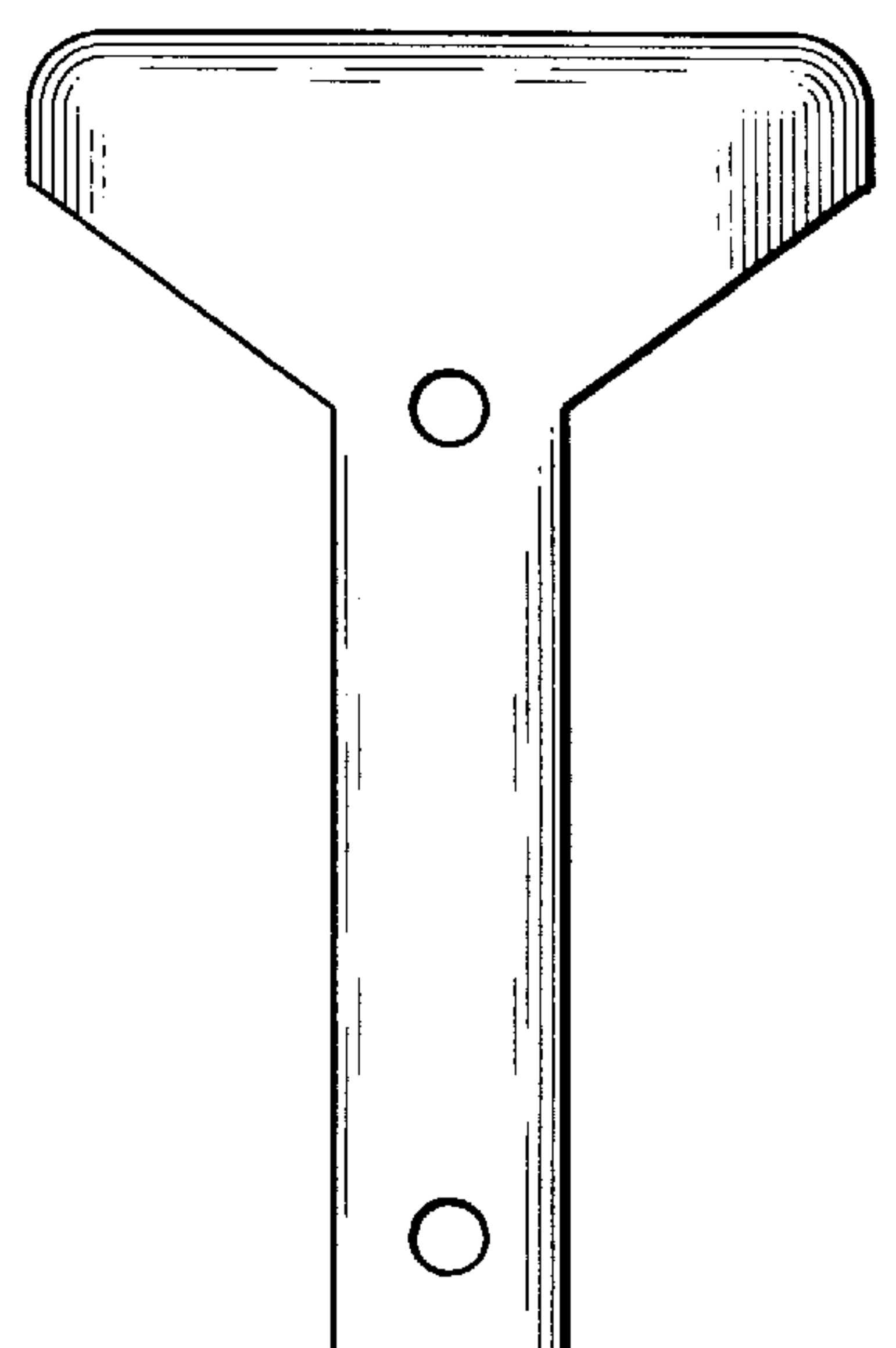


Fig. 6