



US00D420275S

**United States Patent** [19]  
**Hampshire**

[11] **Patent Number: Des. 420,275**

[45] **Date of Patent: \*\* Feb. 8, 2000**

[54] **MOUNTING BAR**

[76] Inventor: **James F. Hampshire**, 8252 Darrow Rd., Suite F, Twinsburg, Ohio 44087

[\*\*] Term: **14 Years**

[21] Appl. No.: **29/097,339**

[22] Filed: **Dec. 3, 1998**

[51] **LOC (7) Cl.** ..... **08-05**

[52] **U.S. Cl.** ..... **D8/354**

[58] **Field of Search** ..... D8/354; 248/205.5, 248/205.4, 205.6, 206.2, 206.3, 206.4

[56] **References Cited**

**U.S. PATENT DOCUMENTS**

D. 273,558 4/1984 Crew ..... D8/354  
5,386,960 2/1995 O'Brien ..... 248/205.5

*Primary Examiner*—Holly Baynham

*Attorney, Agent, or Firm*—Oldham & Oldham Co., LPA

[57] **CLAIM**

The ornamental design for the “mounting bar,” as shown and described.

**DESCRIPTION**

FIG. 1 is a top view of a new design of a first embodiment of a mounting bar, the bottom view being a mirror image thereof;

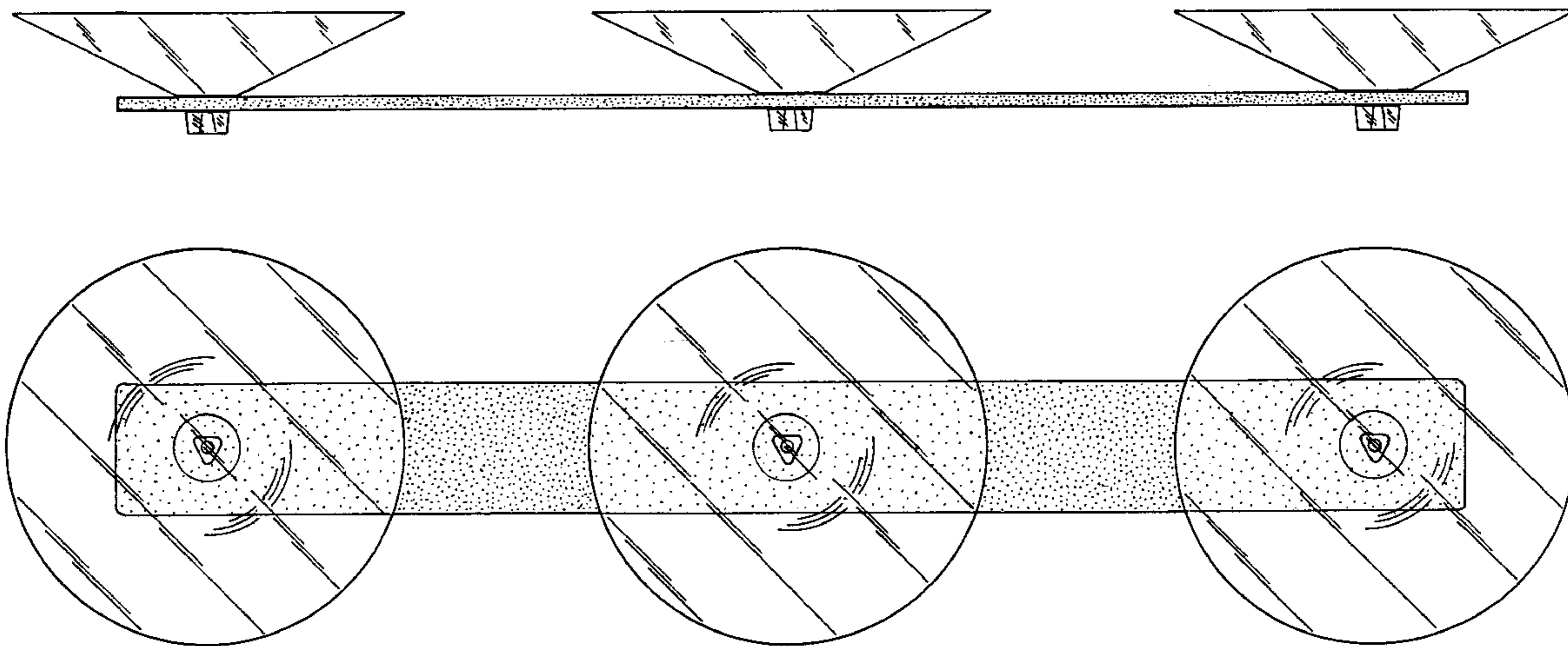
FIG. 2 is a front elevational view with reference to FIG. 1; FIG. 3 is a rear elevational view;

FIG. 4 is a top view of a second embodiment of a mounting bar, the bottom view being a mirror image thereof;

FIG. 5 is a front elevational view with reference to FIG. 4; FIG. 6 is a rear elevational view; and,

FIG. 7 is a side elevational view of either the first or the second embodiment, the opposite side view being a mirror image thereof.

**1 Claim, 2 Drawing Sheets**



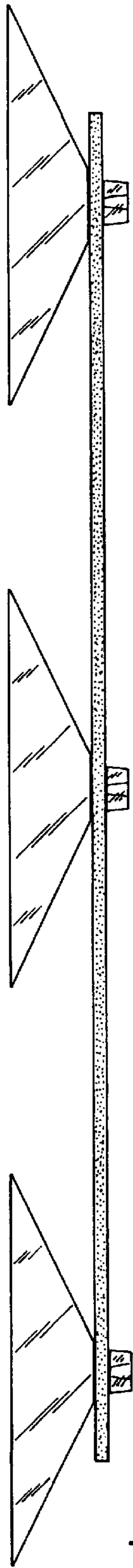


FIG. -1

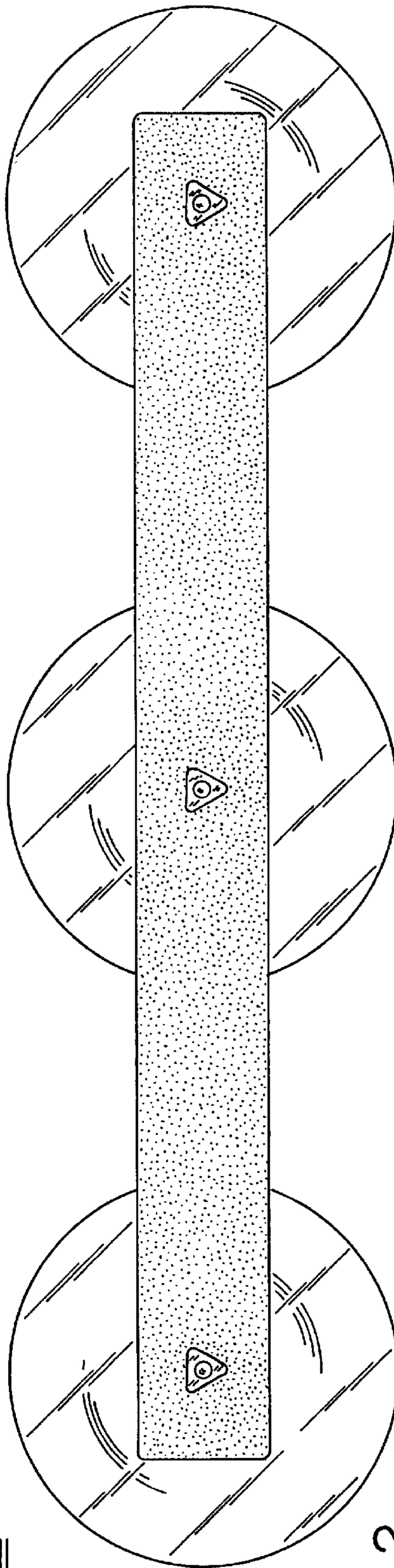


FIG. -2

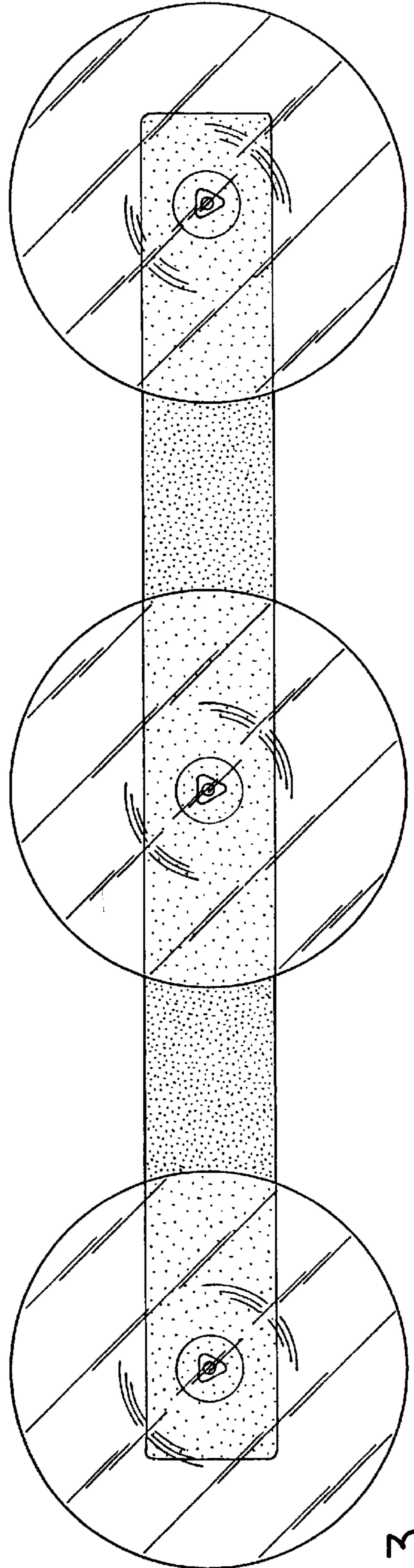


FIG. -3

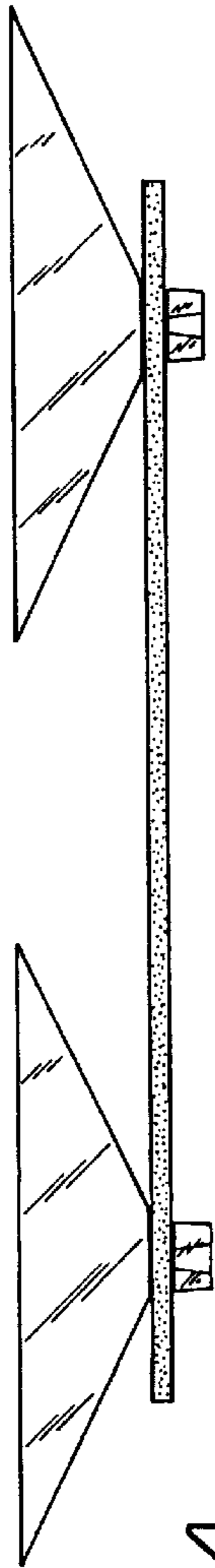


FIG.-4

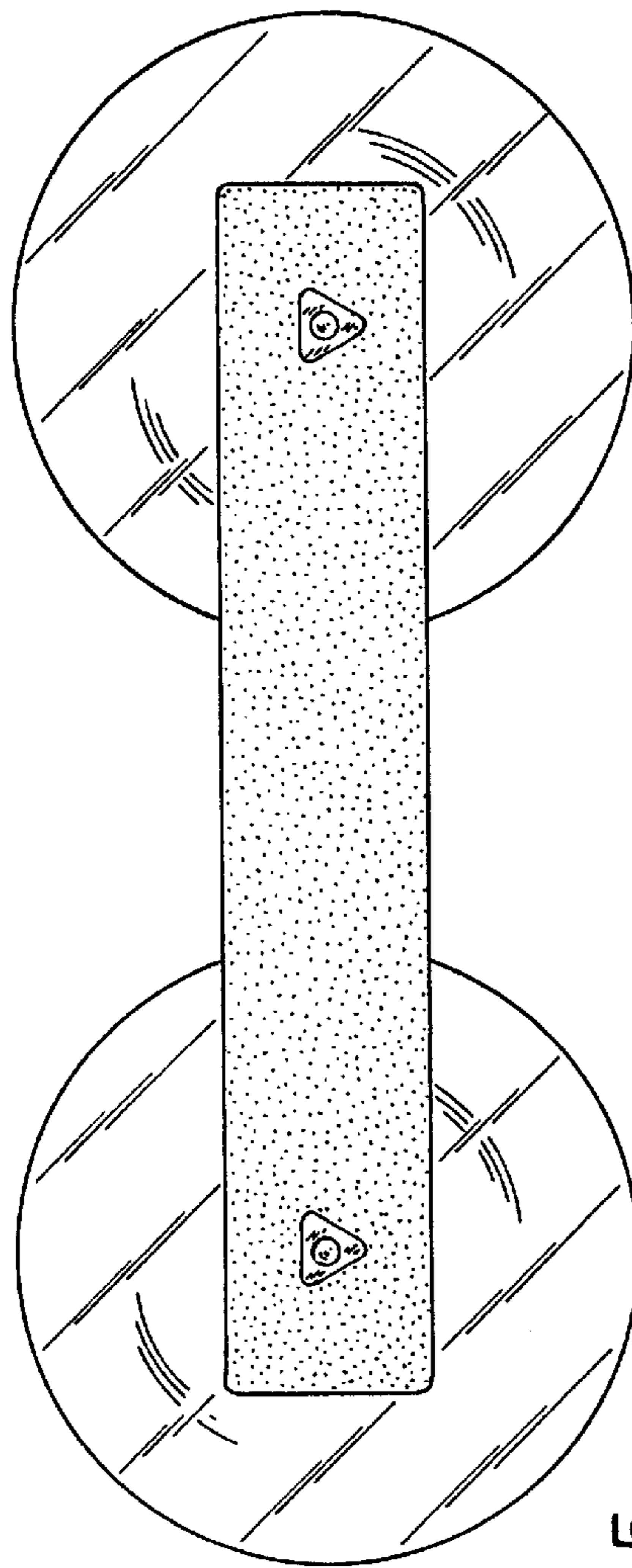


FIG.-5

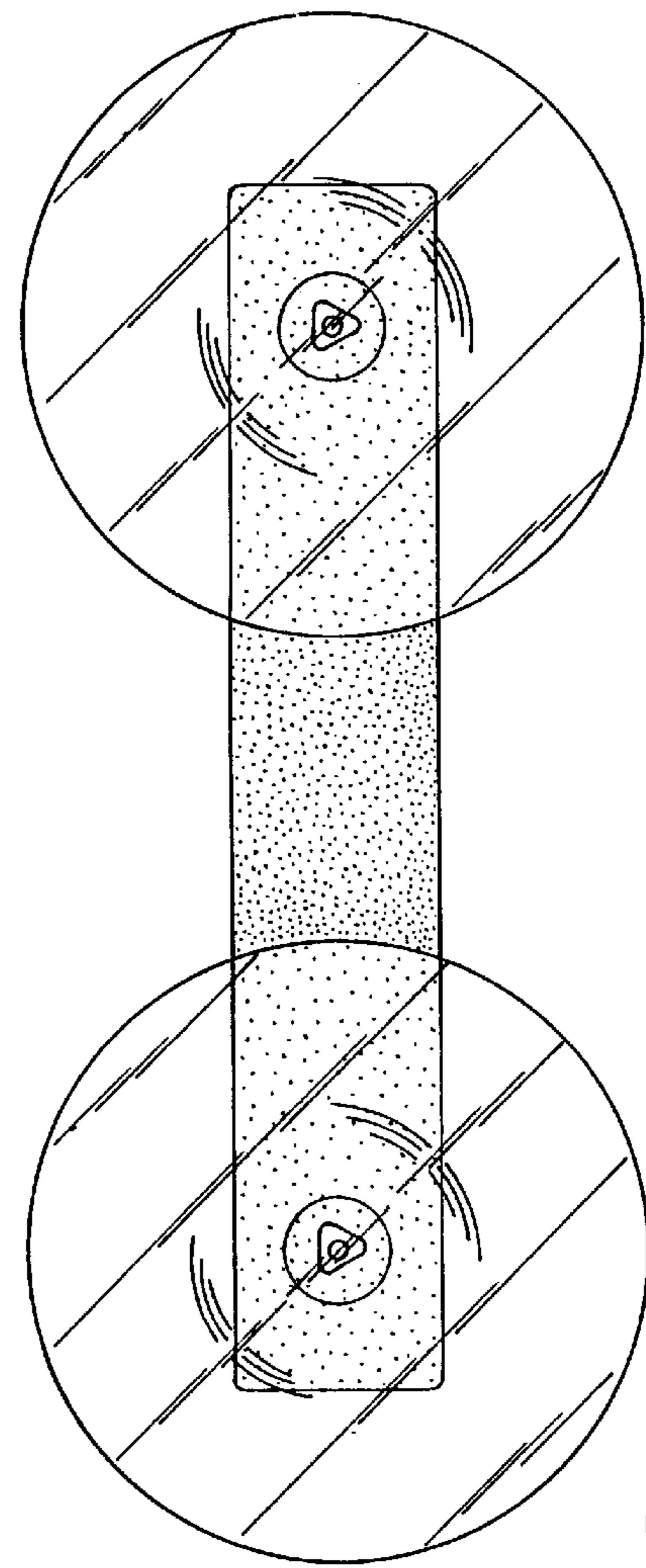


FIG.-6

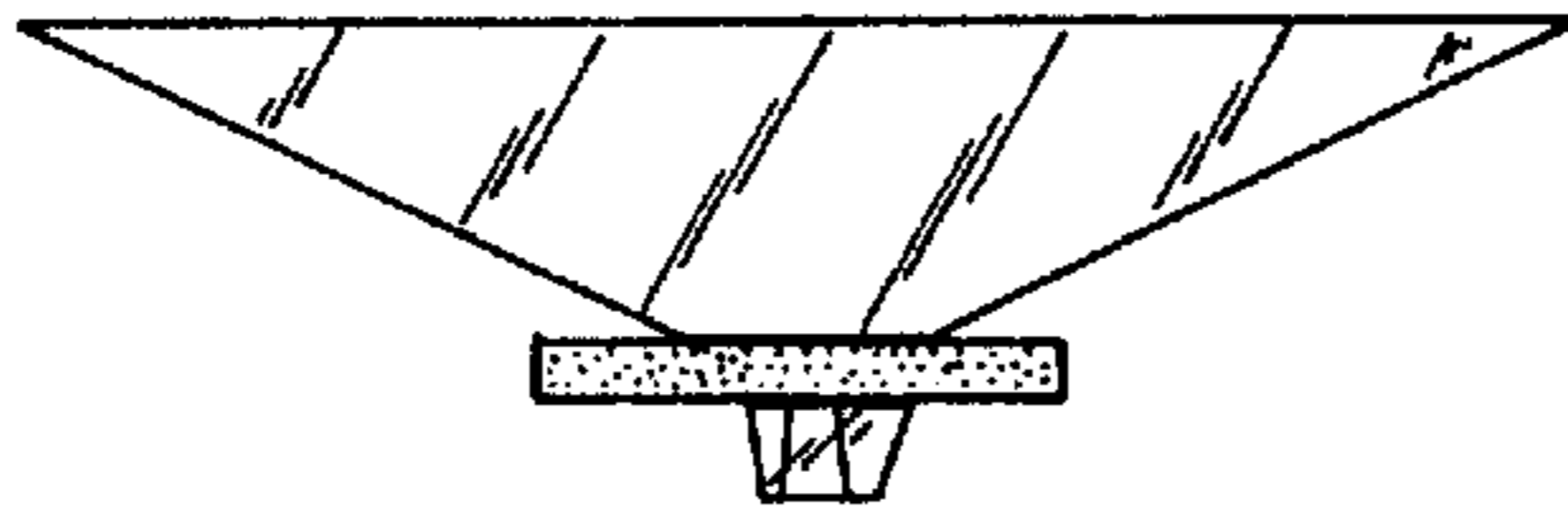


FIG.-7