



US00D420265S

# United States Patent [19] Pierce

[11] **Patent Number: Des. 420,265**

[45] **Date of Patent: \*\* Feb. 8, 2000**

[54] **BOTTLE OPENER**

[76] Inventor: **Michael Bernard Pierce**, 7105  
Medicine Lake Rd., Minneapolis, Minn.  
55427

[\*\*] Term: **14 Years**

[21] Appl. No.: **29/106,741**

[22] Filed: **Jun. 21, 1999**

[51] **LOC (7) Cl.** ..... **07-99**

[52] **U.S. Cl.** ..... **D8/40; D8/18**

[58] **Field of Search** ..... D8/33-43, 18,  
D8/19, 17, 16, 21, 28, 88, 89; 30/400-443;  
81/3.07-3.49; 7/151-156

[56] **References Cited**

**U.S. PATENT DOCUMENTS**

D. 42,070	12/1911	Vaughan	.....	D8/18
D. 51,962	4/1918	Januchowsky	.....	D8/18
D. 164,448	9/1951	Ransom	.....	D8/18
D. 196,249	9/1963	Kominik	.....	D8/40
D. 205,370	7/1966	Roeschlaub	.....	D8/18
D. 353,755	12/1994	Lane	.....	D8/17
959,220	5/1910	Hoelt	.....	81/3.57 X

2,430,651	11/1947	Shanahan	.....	81/3.55 X
5,806,380	9/1998	Wilsey	.....	81/3.09
5,946,753	9/1999	Roberts et al.	.....	7/156

**OTHER PUBLICATIONS**

The Game Room Catalog, p. 5, Magnum Bottle Opener, Mar. 1950.

*Primary Examiner*—Jeffrey Asch

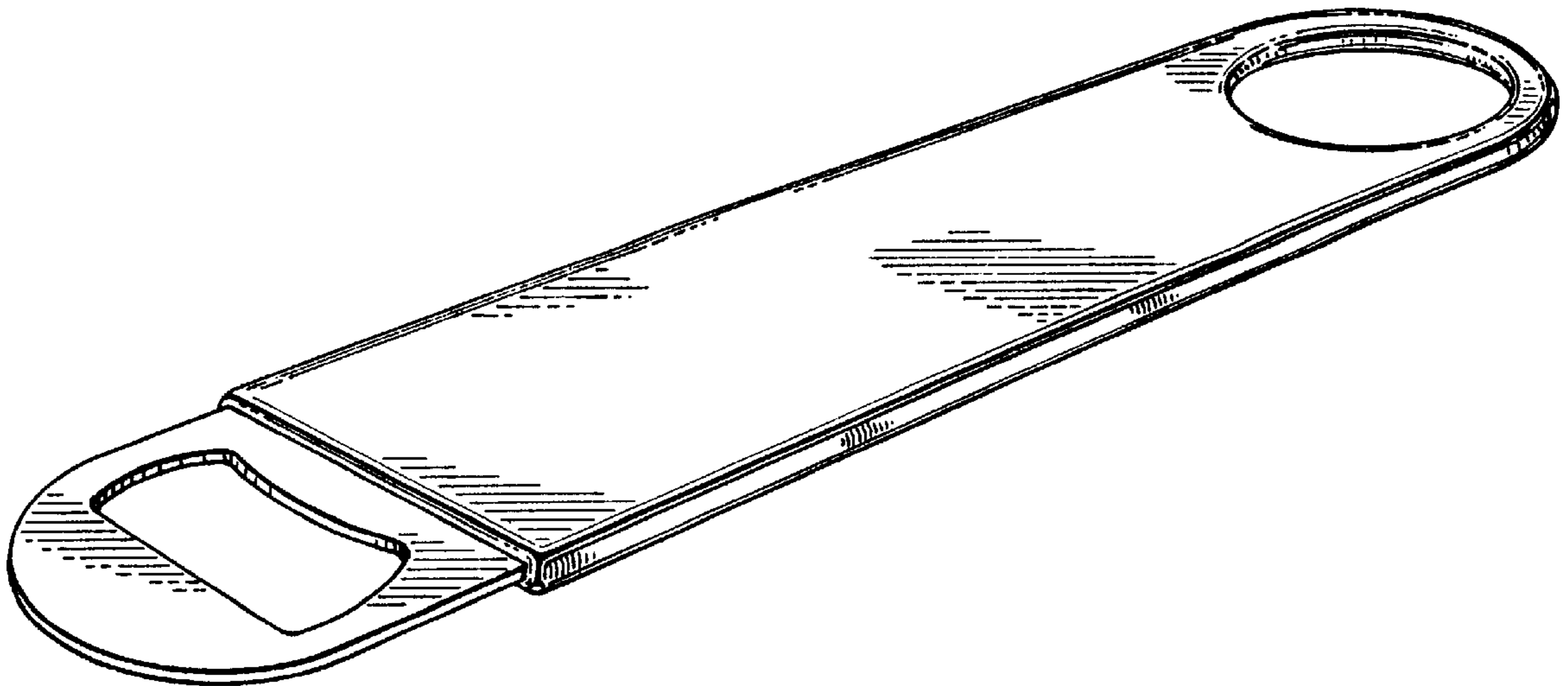
[57] **CLAIM**

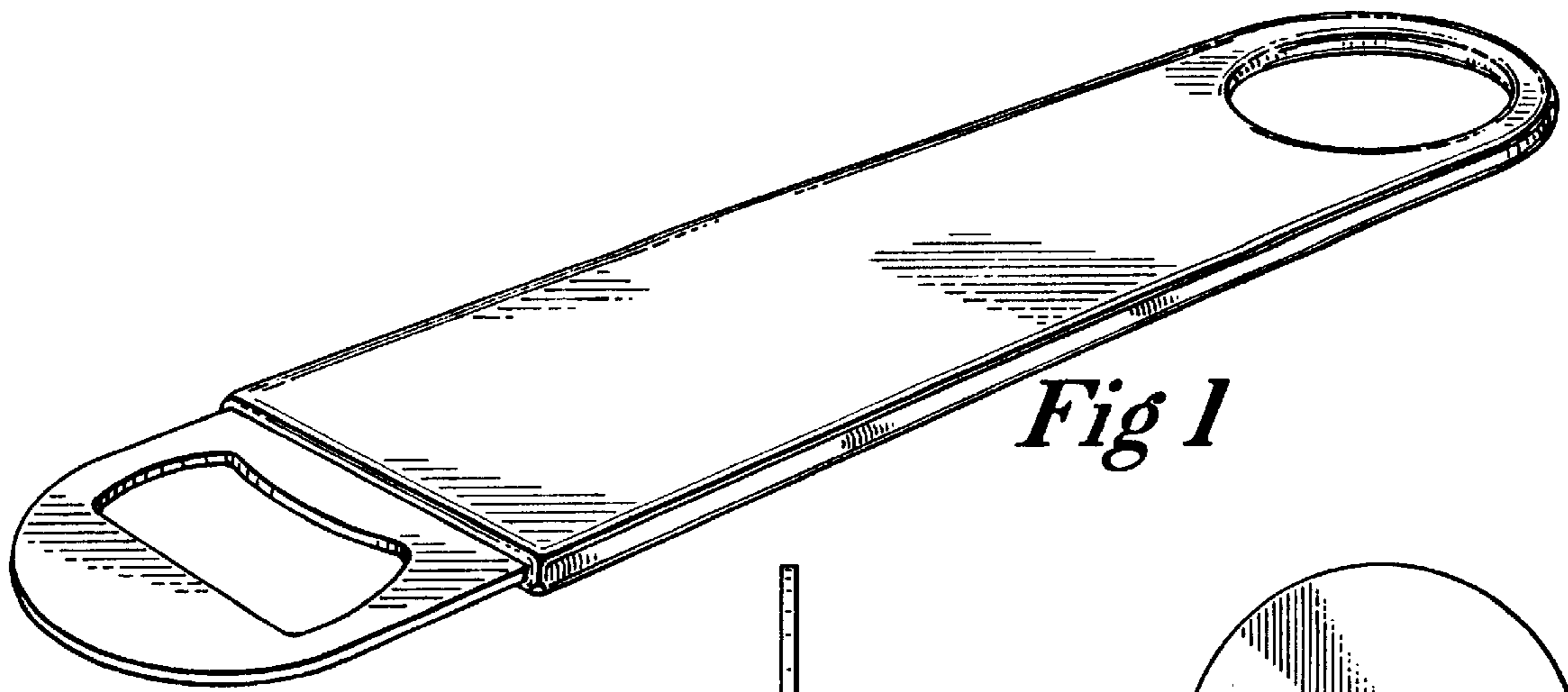
The ornamental design for a bottle opener, as shown and described.

**DESCRIPTION**

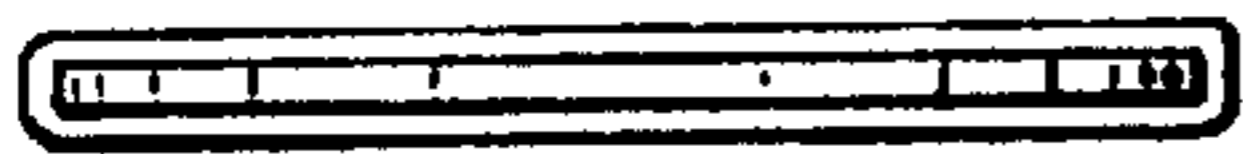
FIG. 1 is a perspective view of a bottle opener embodying my novel design;  
FIG. 2 is a top plan view thereof, the bottom plan view being identical to the top plan view;  
FIG. 3 is one side elevational view thereof, the other side elevational view being identical to the side elevational view shown;  
FIG. 4 is one end view thereof; and,  
FIG. 5 is the other end view thereof.

**1 Claim, 1 Drawing Sheet**

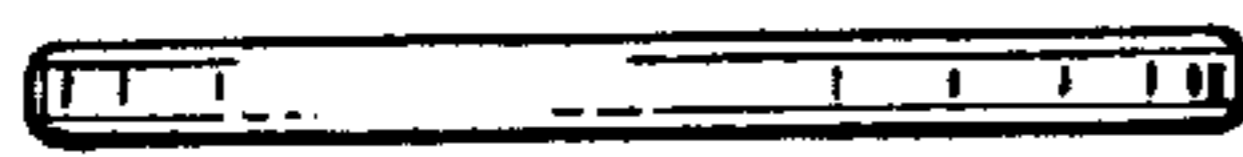




*Fig 1*



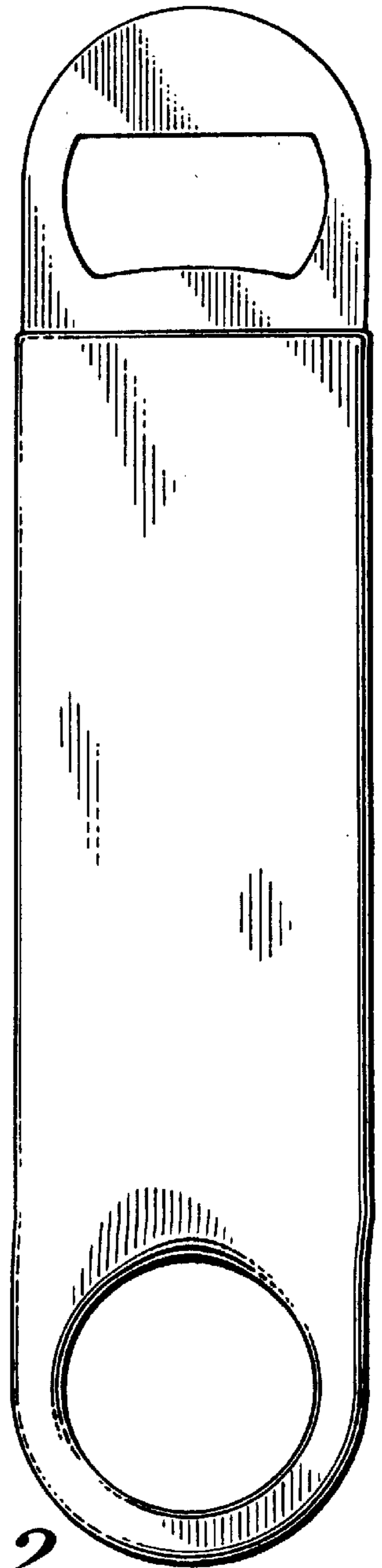
*Fig 5*



*Fig 4*



*Fig 3*



*Fig 2*