



US00D420264S

United States Patent [19]
Chen

[11] **Patent Number: Des. 420,264**
[45] **Date of Patent: ** Feb. 8, 2000**

[54] **WRENCH**

3,921,475 11/1975 Evans 81/119
5,148,726 9/1992 Huebschen et al. 81/119

[76] Inventor: **Ching Chen**, No. 1, Alley 2, Lane 741,
Dong Ping Road, Tai Ping City,
Taichung Hsien, Taiwan

Primary Examiner—Ted Shooman
Assistant Examiner—Richelle Shelton
Attorney, Agent, or Firm—Charles E Baxley, Esq.

[**] Term: **14 Years**

[57] **CLAIM**

[21] Appl. No.: **29/095,414**

The ornamental design for a wrench, as shown and described.

[22] Filed: **Oct. 22, 1998**

[51] **LOC (7) Cl.** **08-05**

[52] **U.S. Cl.** **D8/28**

[58] **Field of Search** D8/17, 21-29;
81/119, 125.1, 186

DESCRIPTION

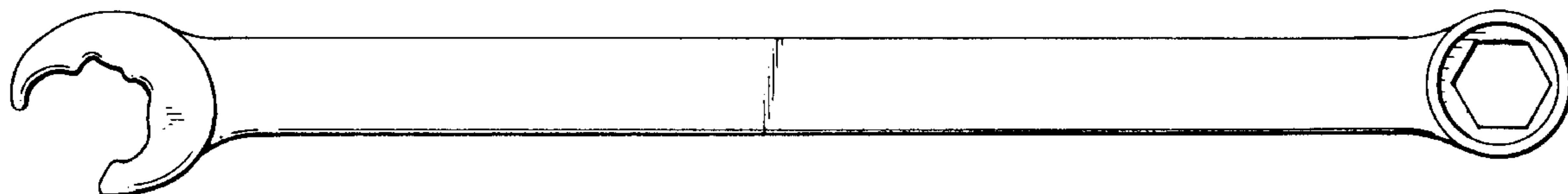
FIG. 1 is a front elevational view of a wrench showing my new design;
FIG. 2 is a rear elevational view thereof;
FIG. 3 is a top plan view thereof, the bottom plan view being a mirror image;
FIG. 4 is a left side elevational view thereof;
FIG. 5 is a right side elevational view thereof; and,
FIG. 6 is a perspective view thereof.

[56] **References Cited**

U.S. PATENT DOCUMENTS

1,413,243 4/1922 Thompson 81/125.1 X
2,652,735 9/1953 Wilder 81/119
3,762,244 10/1973 Evans 81/119
3,858,467 1/1975 Evans 81/119 X

1 Claim, 4 Drawing Sheets



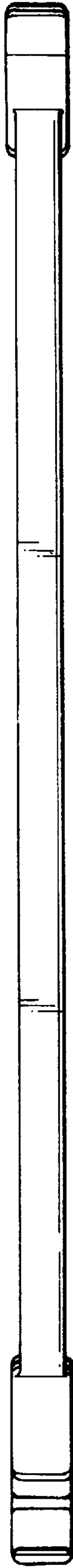


FIG. 1



FIG. 2

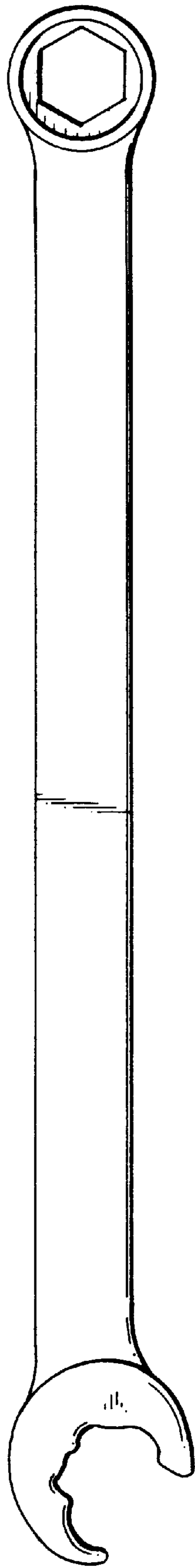


FIG. 3



FIG. 4



FIG. 5

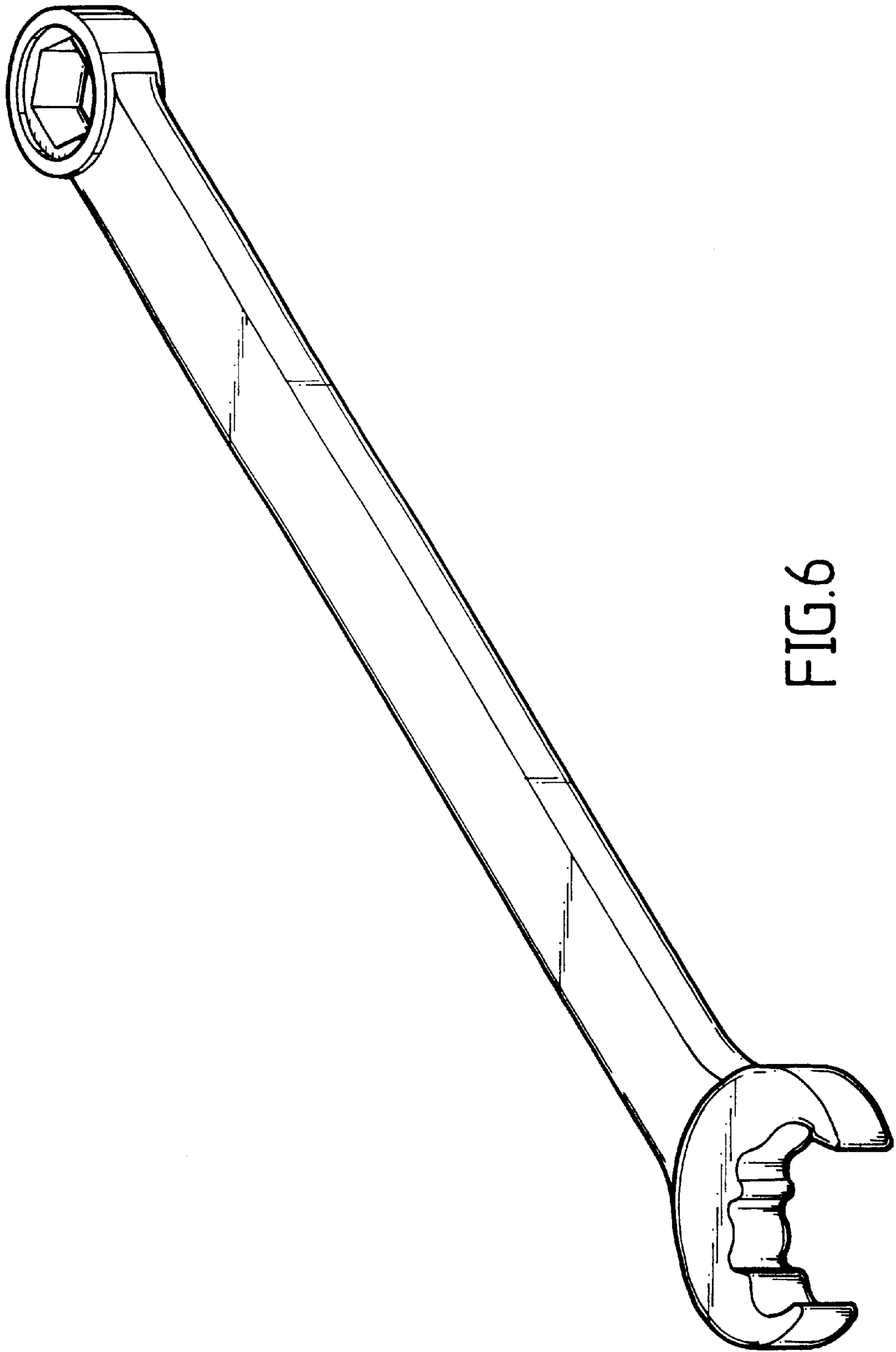


FIG.6