



US00D420251S

United States Patent [19]

[11] Patent Number: **Des. 420,251**

Brady

[45] Date of Patent: **** Feb. 8, 2000**

[54] **TIERED LID FOR KITCHENWARE ITEM,
SUCH AS COFFEE MAKER**

1,174,828 3/1916 Copeland D7/300.1

OTHER PUBLICATIONS

[76] Inventor: **Frank A. Brady**, 3166 Blackhawk
Meadows Dr., Danville, Calif. 94506

King insulated pitchers sell sheet, Yn-Hwang Taiwan.
French Press Coffee Maker, Bon Jour.

[**] Term: **14 Years**

Primary Examiner—M. N. Pandozzi
Attorney, Agent, or Firm—Limbach & Limbach L.L.P.

[21] Appl. No.: **29/081,648**

[22] Filed: **Jan. 7, 1998**

[57] CLAIM

[51] **LOC (7) Cl.** **07-99**

The ornamental design for a tiered lid for kitchenware item,
such as coffee maker, as shown and described.

[52] **U.S. Cl.** **D7/392.1; D7/392**

[58] **Field of Search** D7/391, 392, 392.1,
D7/319, 317, 312, 318, 300, 321, 300.1,
570; 222/465.1; 220/711, 713, 254

DESCRIPTION

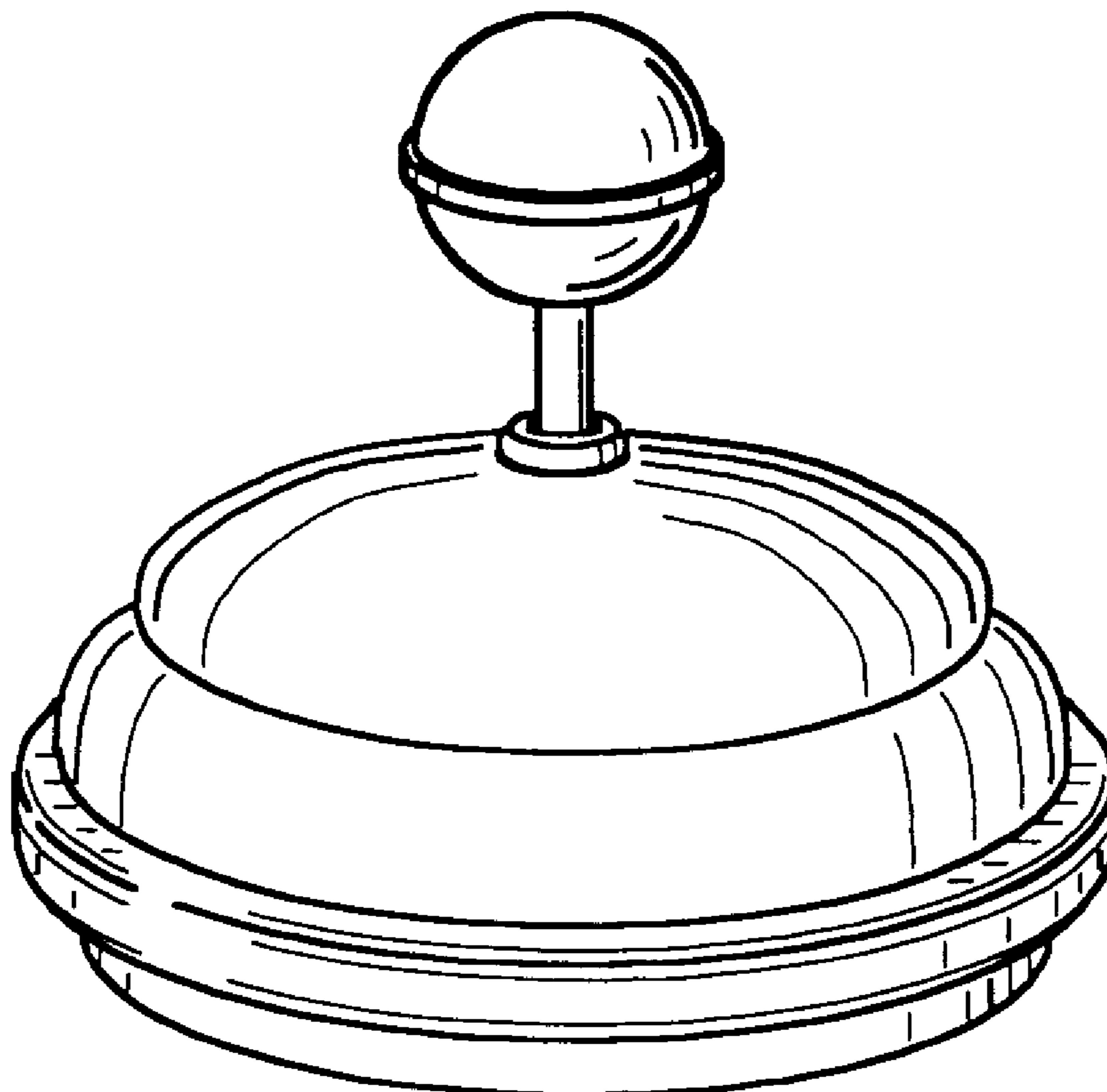
[56] References Cited

U.S. PATENT DOCUMENTS

D. 276,118	10/1984	Conti et al.	D7/392
D. 297,900	10/1988	Huang	D7/319 X
D. 342,414	12/1993	Joergensen	D7/317
D. 343,333	1/1994	Joergensen	D7/316 X
D. 352,212	11/1994	Burton	D7/319 X
D. 372,627	8/1996	Ireland	D7/319
D. 377,132	1/1997	Joergensen	D7/319 X
D. 382,764	8/1997	Brady	D7/316 X
D. 384,540	10/1997	Joergensen	D7/317 X
D. 386,040	11/1997	Joergensen	D7/317
D. 388,275	12/1997	Joergensen	D7/317 X

FIG. 1 is a perspective view of a tiered lid for kitchenware item, such as coffee maker showing my new design;
FIG. 2 is a perspective view thereof, with the knob of the lid in a down position;
FIG. 3 is the perspective view thereof of FIG. 2, with the knob of the lid in a raised position;
FIG. 4 is a side elevational view thereof, all sides being the same;
FIG. 5 is a top plan view thereof; and,
FIG. 6 is a bottom plan view thereof.
The broken line showing of a coffeemaker base is for illustrative purposes only and forms no part of the claimed design.

1 Claim, 2 Drawing Sheets



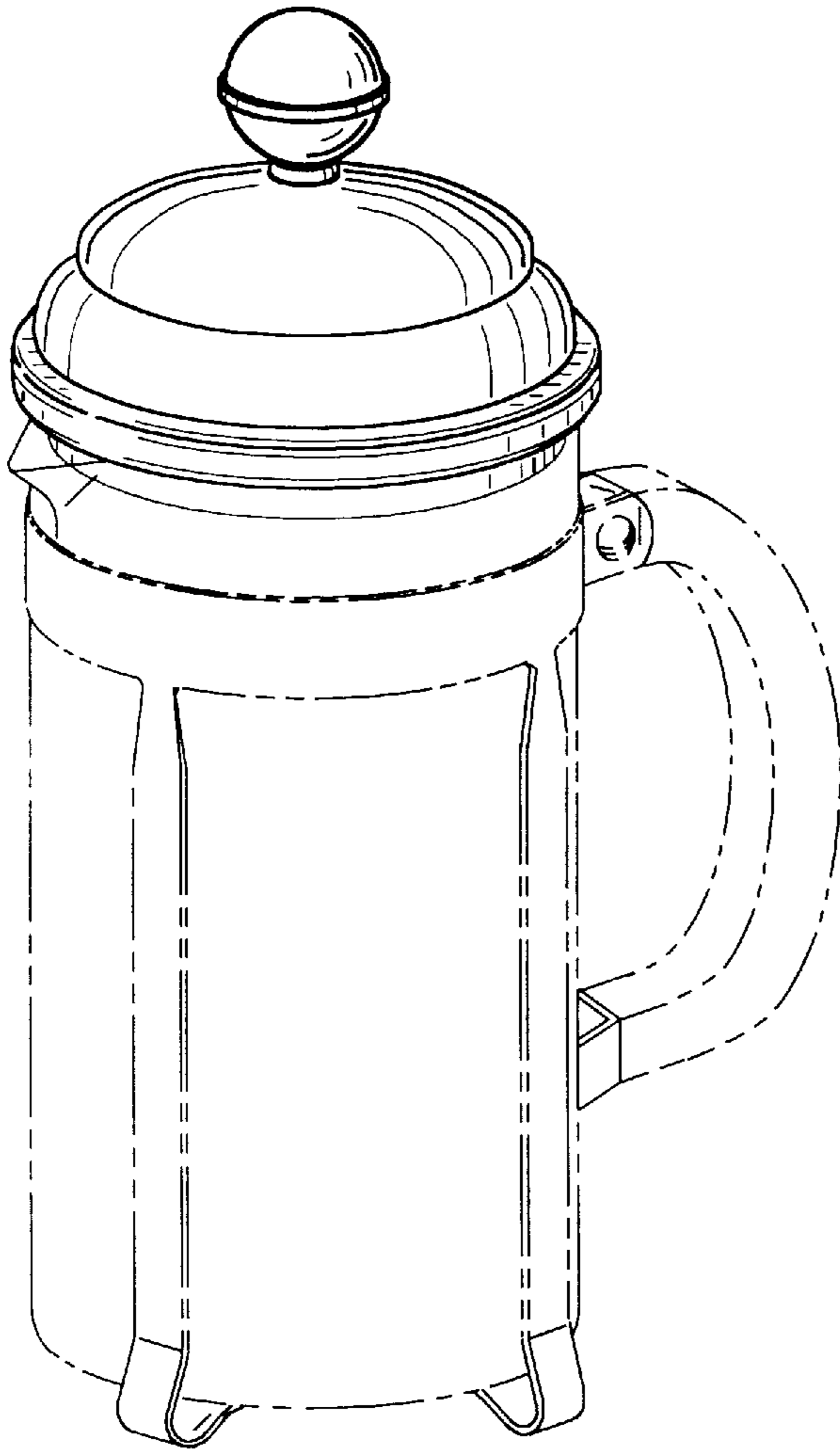


FIG. 1

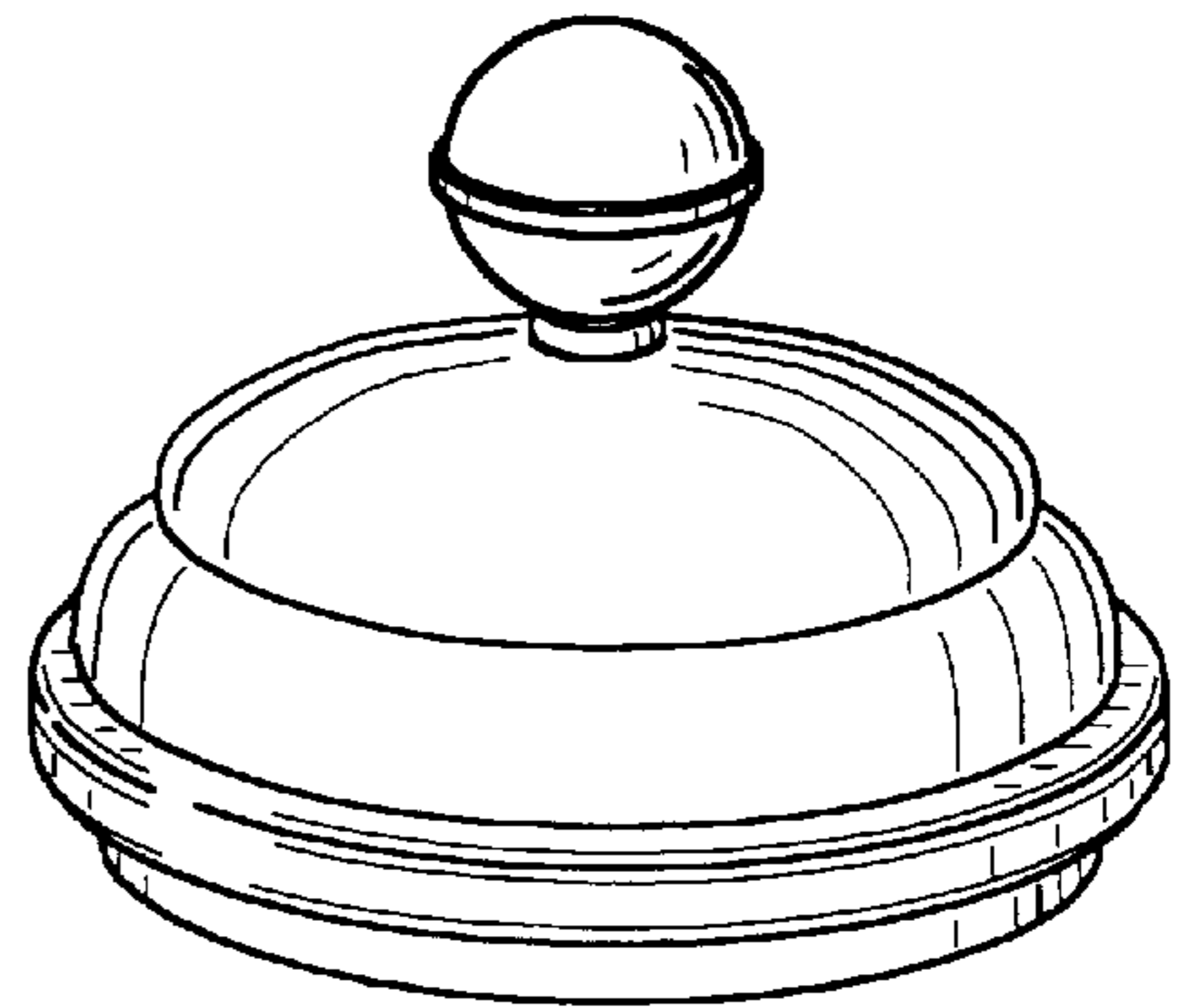


FIG. 2

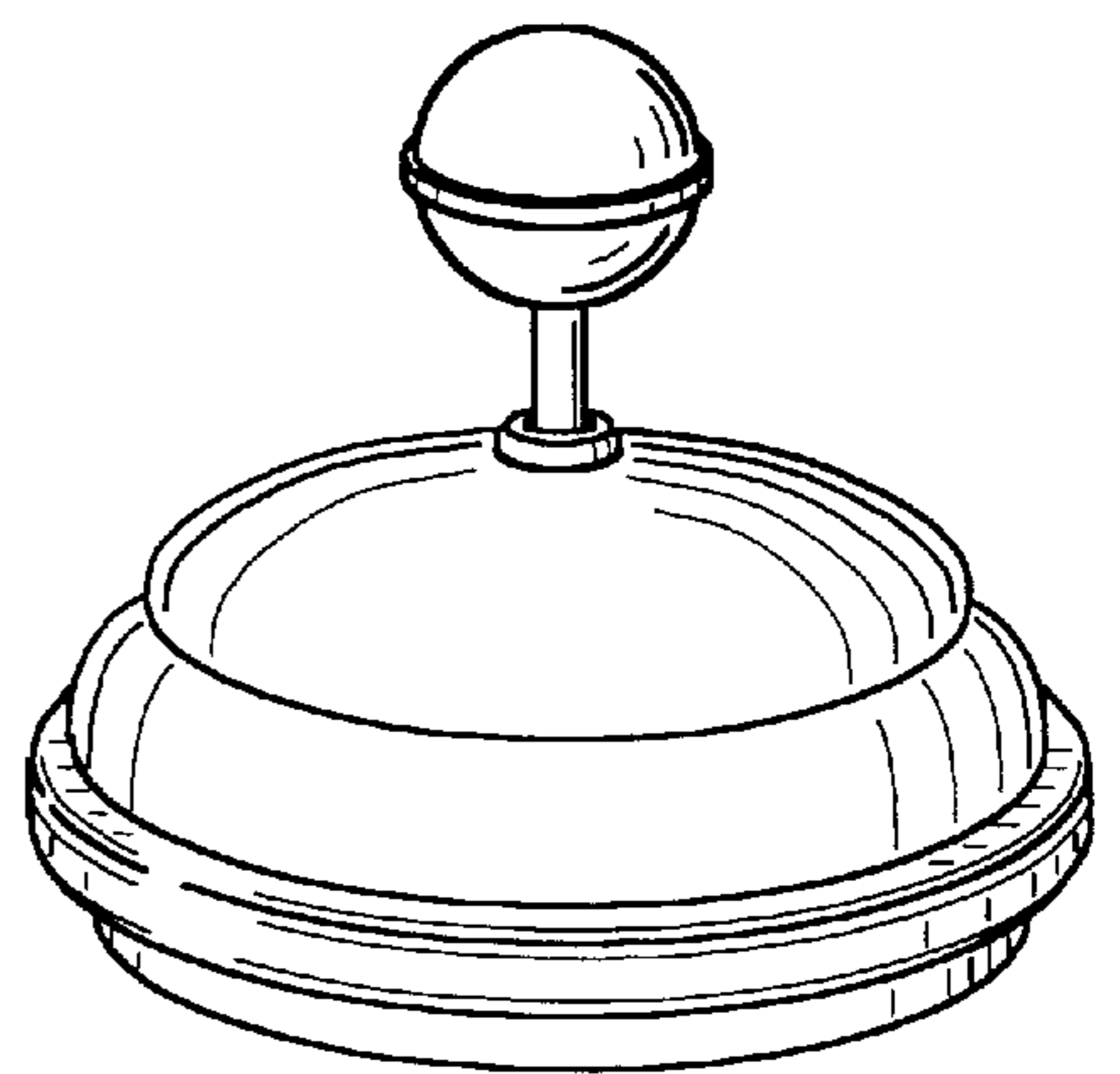


FIG. 3

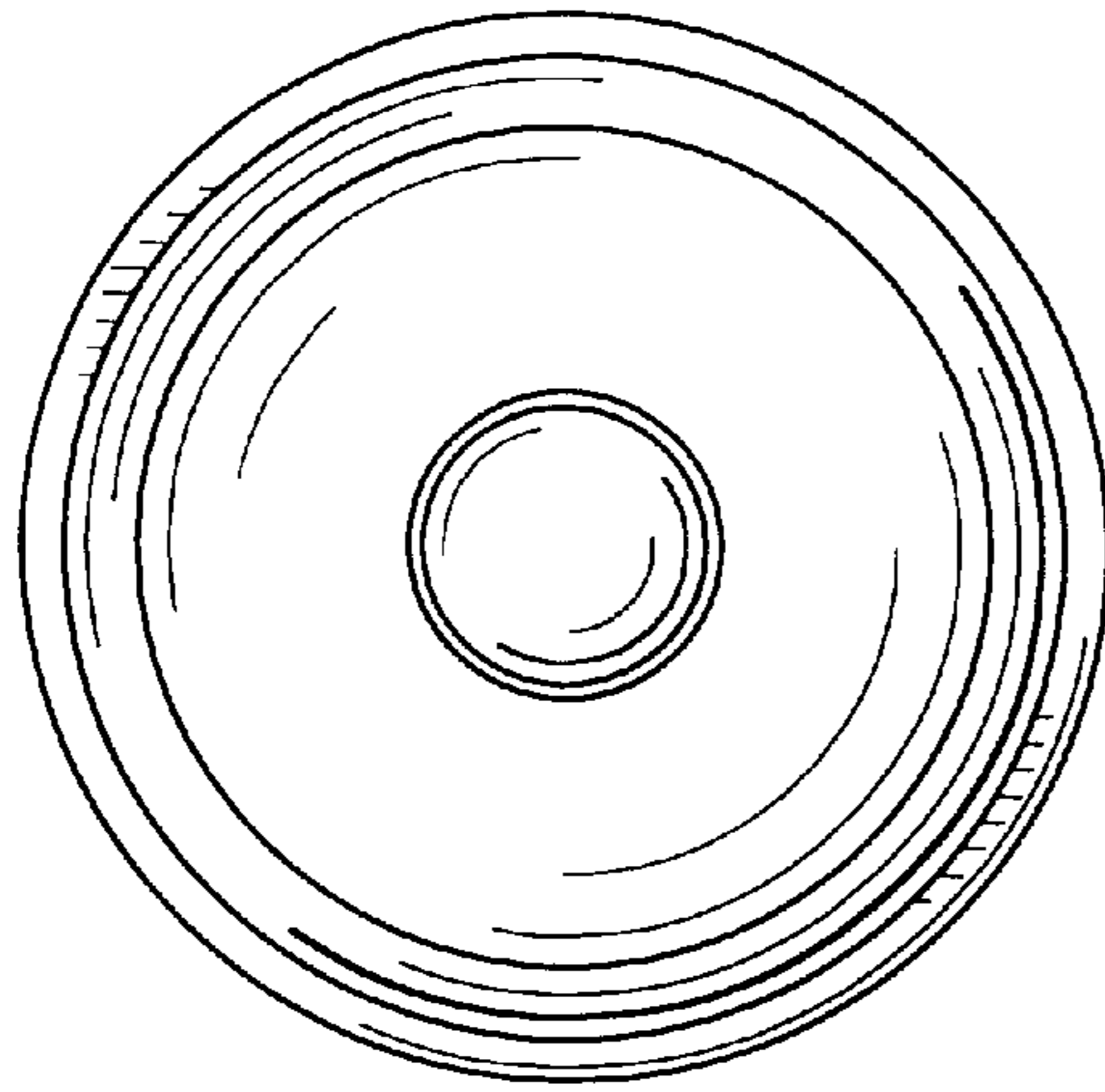


FIG. 5

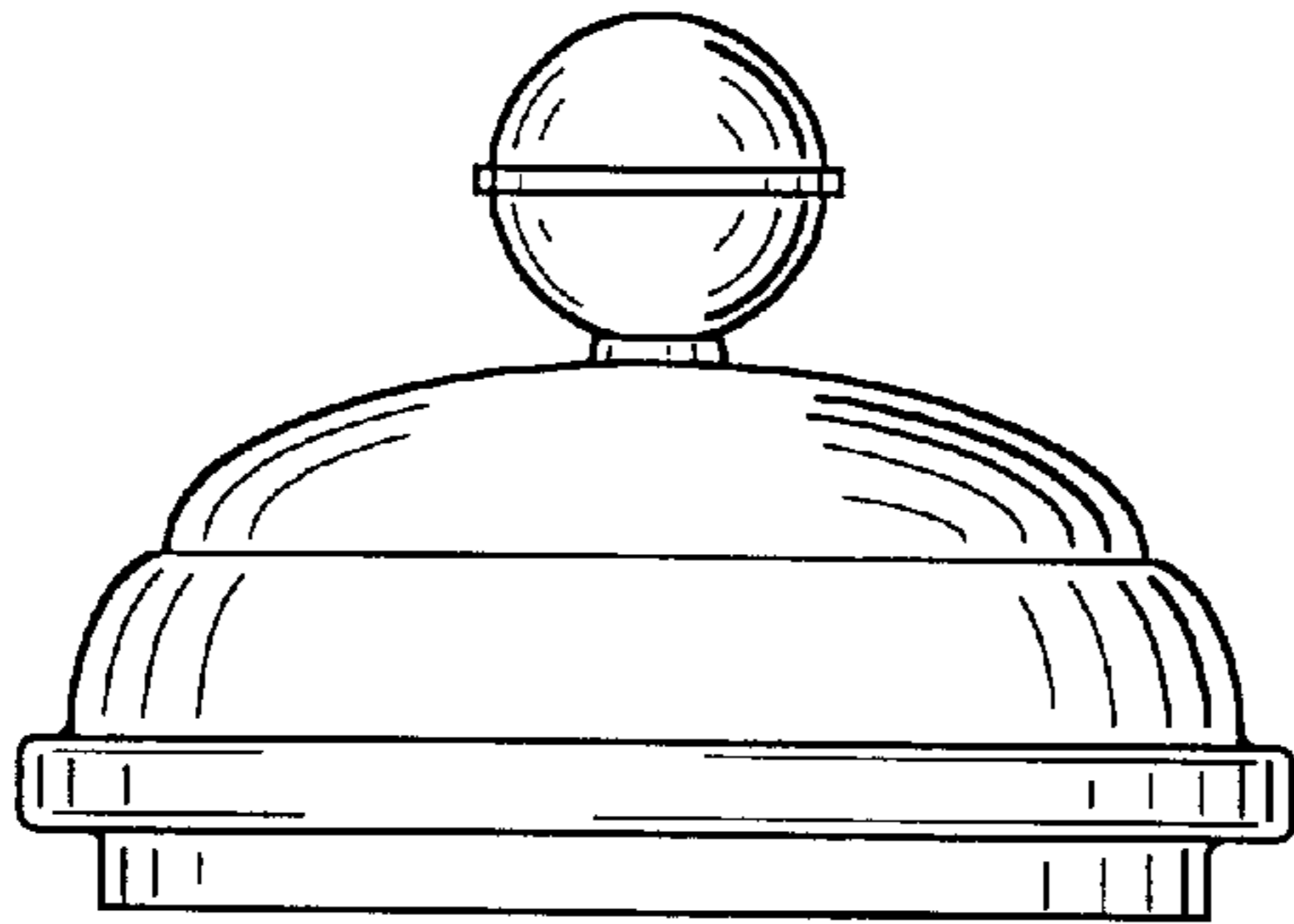


FIG. 4

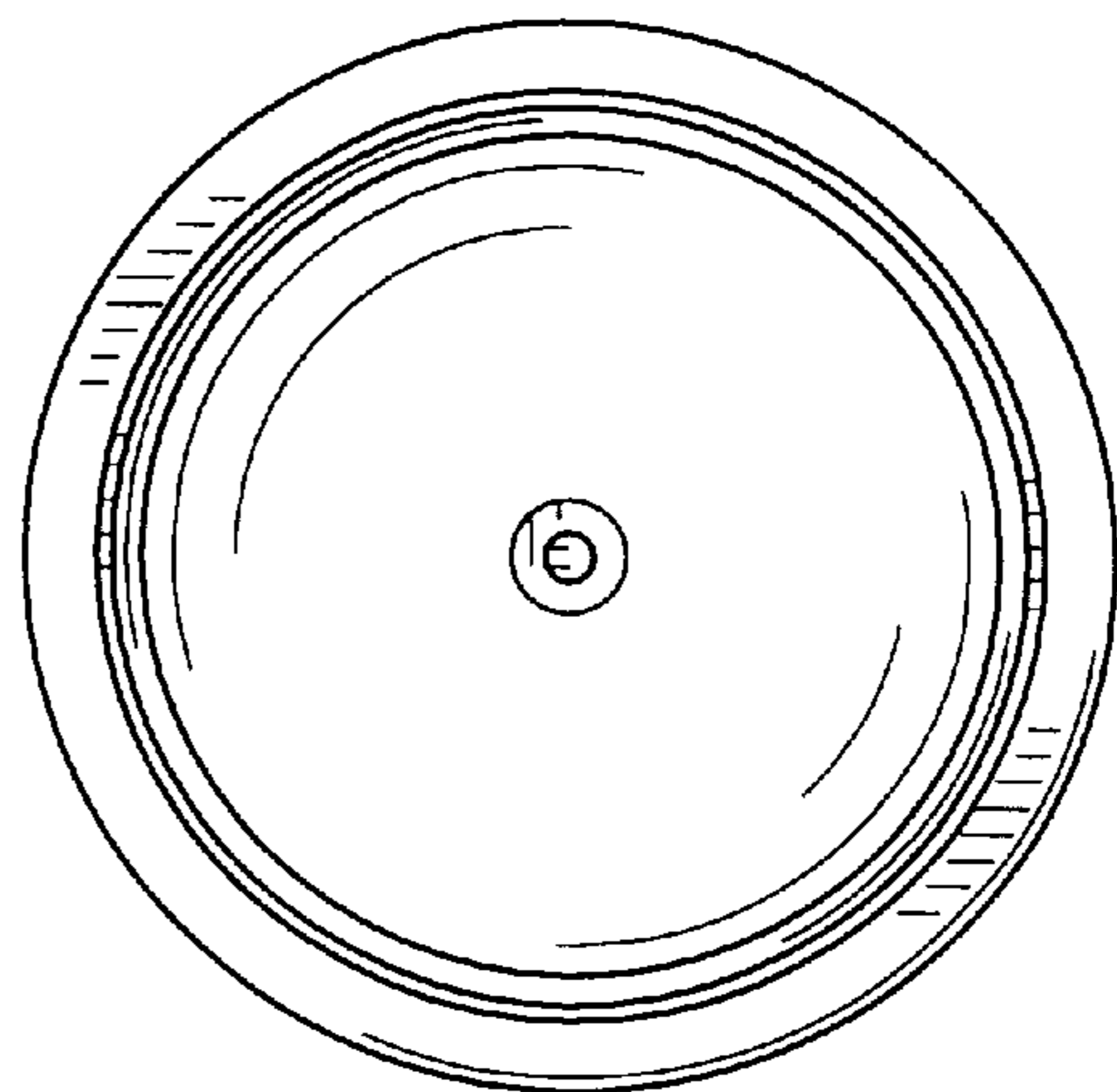


FIG. 6