



US00D420248S

United States Patent [19]

[11] Patent Number: **Des. 420,248**

Uemura et al.

[45] Date of Patent: **** Feb. 8, 2000**

[54] **COFFEE MILL**

[75] Inventors: **Shigehiro Uemura**, Kyoto; **Toyomi Arita**, Osaka; **Kazuo Takada**, Nara, all of Japan

[73] Assignee: **Sanyo Electric Co., Ltd**, Osaka, Japan

[**] Term: **14 Years**

[21] Appl. No.: **29/090,009**

[22] Filed: **Jun. 26, 1998**

[30] **Foreign Application Priority Data**

Dec. 26, 1997 [JP] Japan 9-79870

[51] **LOC (7) Cl.** **07-02**

[52] **U.S. Cl.** **D7/373**

[58] **Field of Search** D7/372, 373, 374, D7/384, 309-310; 241/100, 249; 99/304, 306, 286, 586; 248/312.1

[56] **References Cited**

U.S. PATENT DOCUMENTS

- D. 196,323 9/1963 Allen et al. D7/372
- D. 242,892 1/1977 Brown et al. D7/372
- D. 253,157 10/1979 Dziekonski D7/372
- D. 295,360 4/1988 Pandolfi D7/373

- D. 296,181 6/1988 Schaaf et al. D7/373
- D. 296,859 7/1988 Pandolfi D7/373
- D. 318,595 7/1991 Retzlaff et al. D7/373
- D. 336,213 6/1993 Stutzer D7/373
- D. 353,075 12/1994 Littmann et al. D7/373
- D. 363,411 10/1995 Mock et al. D7/372
- D. 389,010 1/1998 Joergensen D7/373
- D. 404,246 1/1999 Arita et al. D7/372

Primary Examiner—Ruth McInroy
Attorney, Agent, or Firm—Loeb & Loeb, LLP

[57] **CLAIM**

The design for coffee mill, as shown and described.

DESCRIPTION

FIG. 1 is a perspective view of a coffee mill showing our new design;
 FIG. 2 is a front elevational view thereof;
 FIG. 3 is a rear elevational view thereof;
 FIG. 4 is a top plan view thereof;
 FIG. 5 is a bottom plan view thereof;
 FIG. 6 is a left side elevational view thereof; and,
 FIG. 7 is a right side elevational view thereof.
 The broken line showing in FIG. 1 is included for the purpose of illustrating environmental structure only and forms no part of the claimed design.

1 Claim, 4 Drawing Sheets

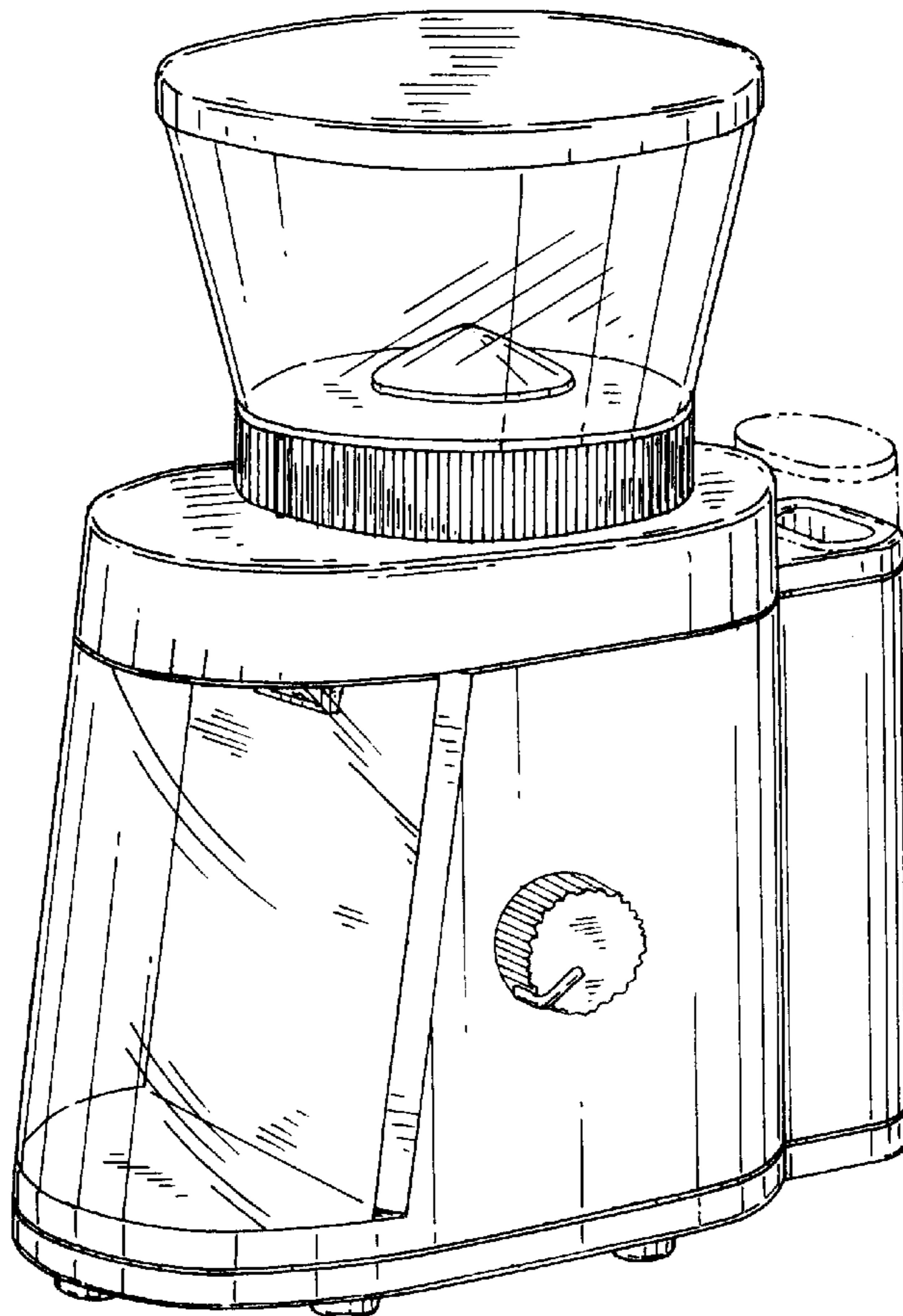


FIG. 1

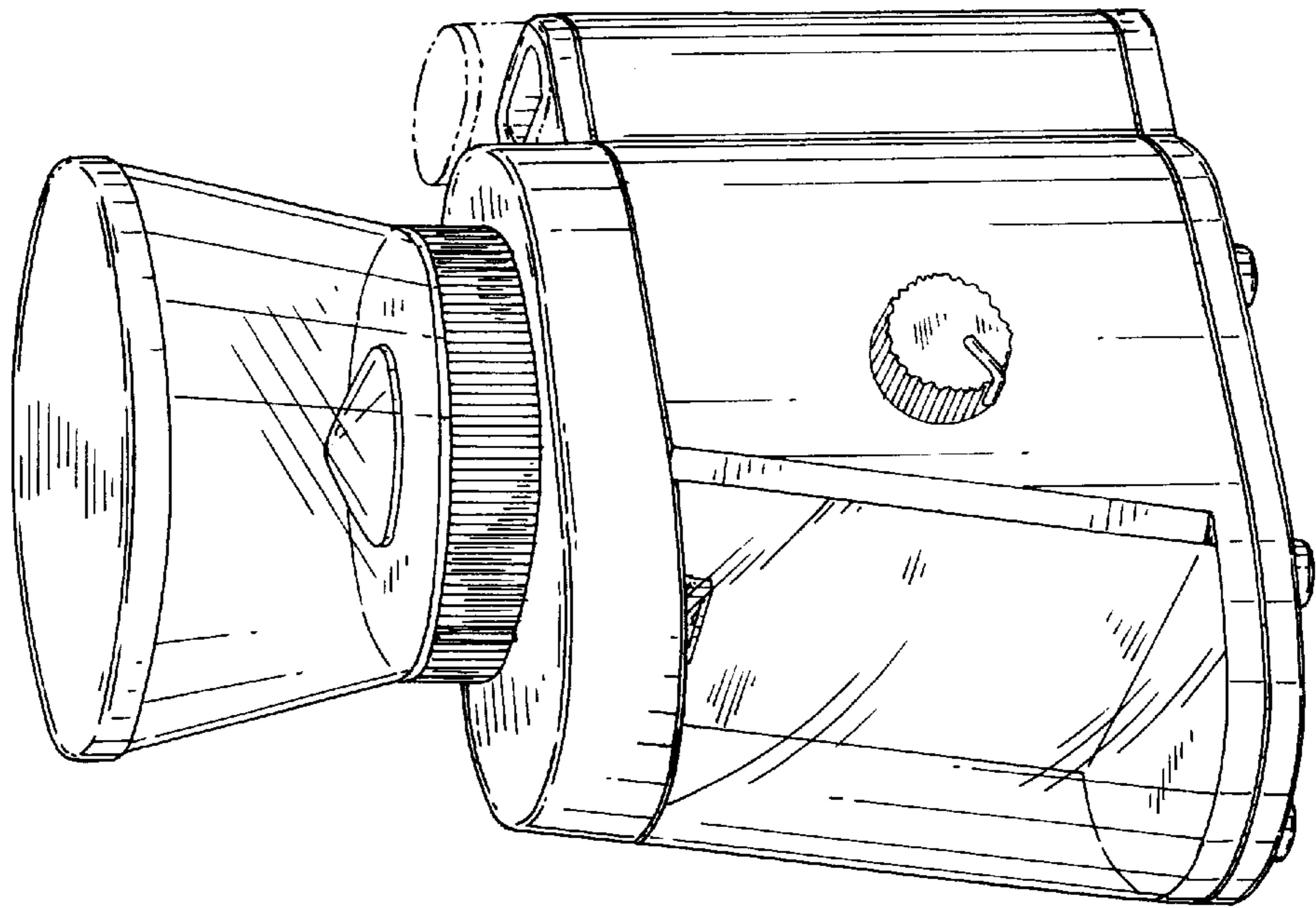


FIG. 3

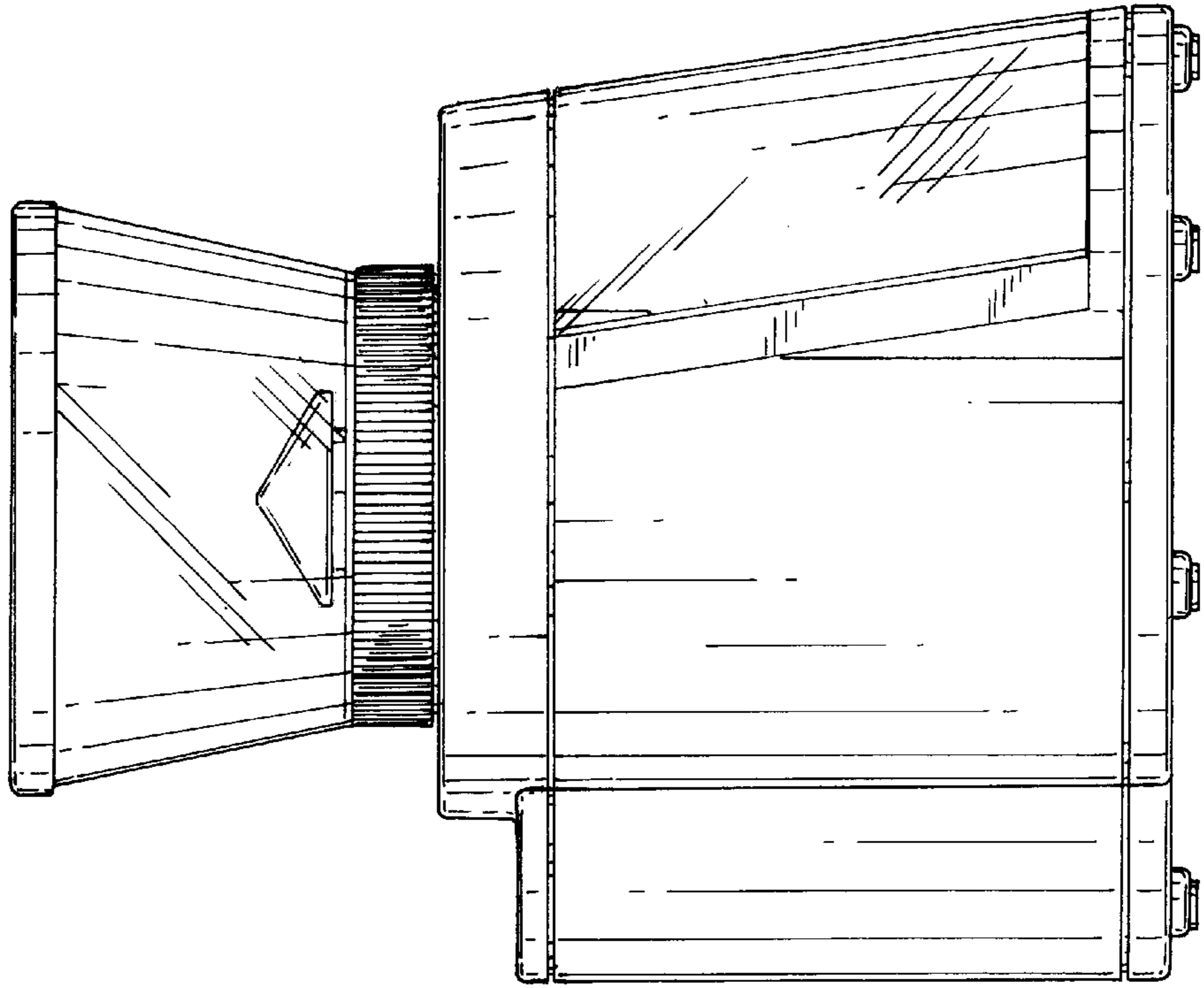


FIG. 2

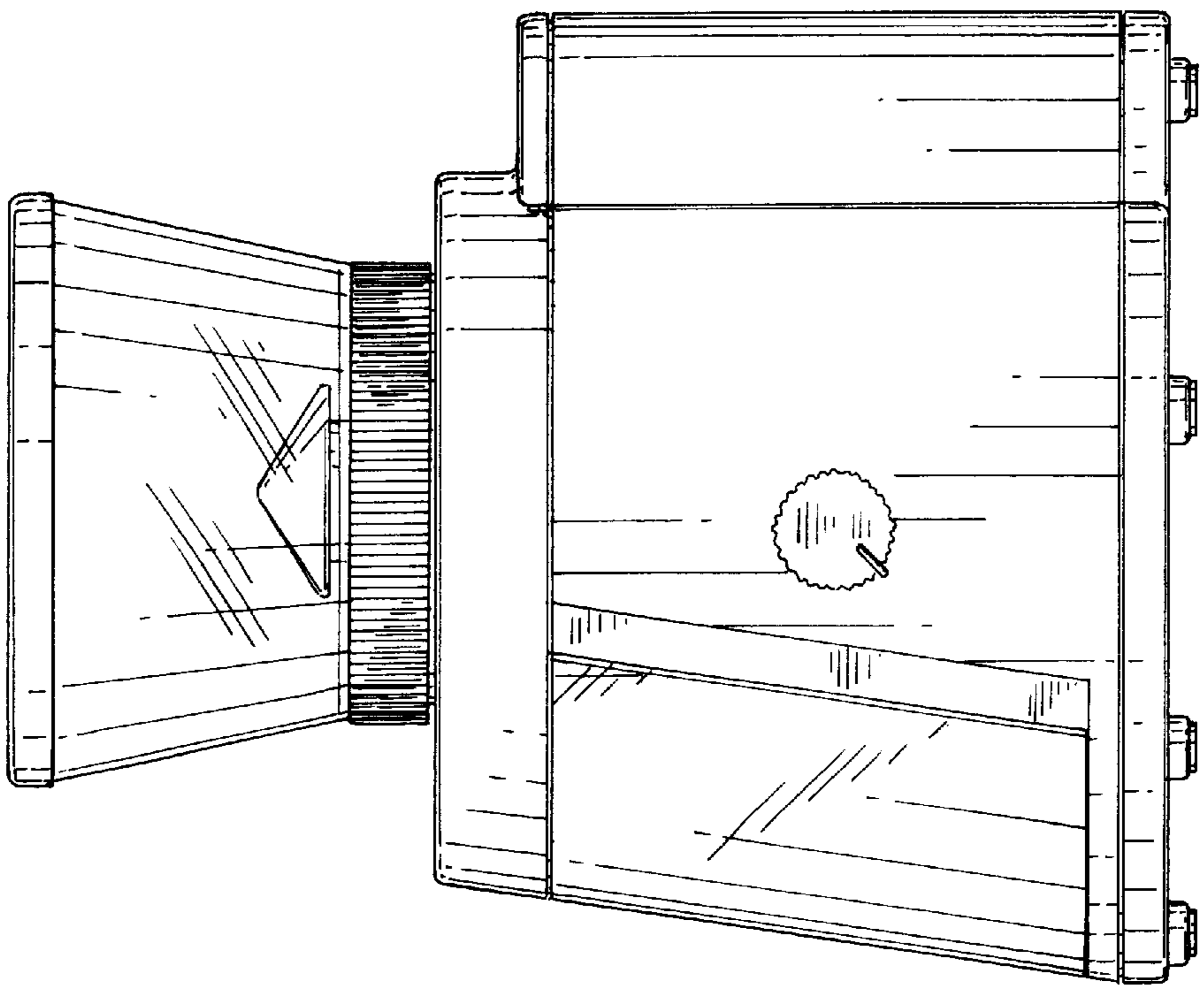


FIG. 5

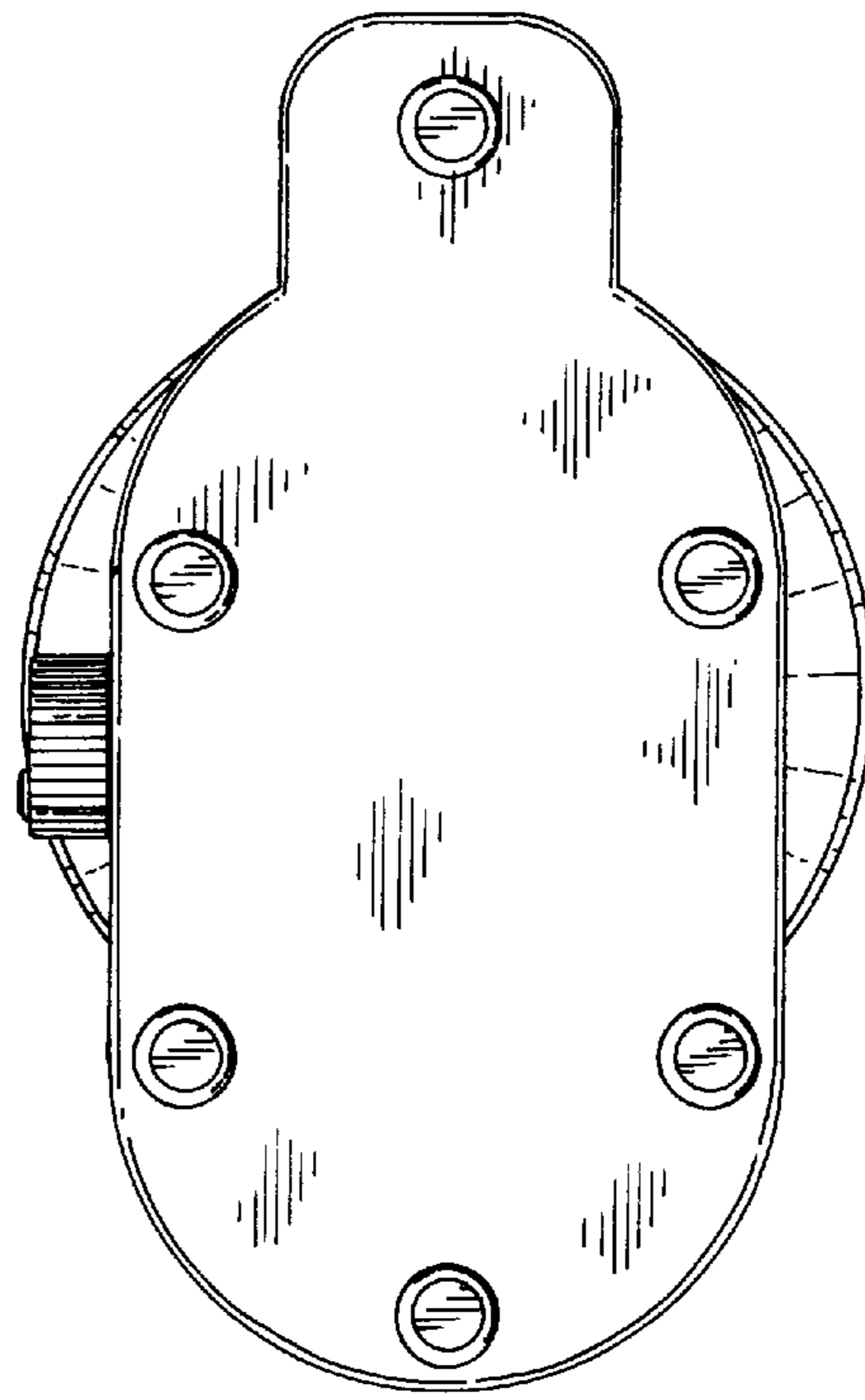


FIG. 4

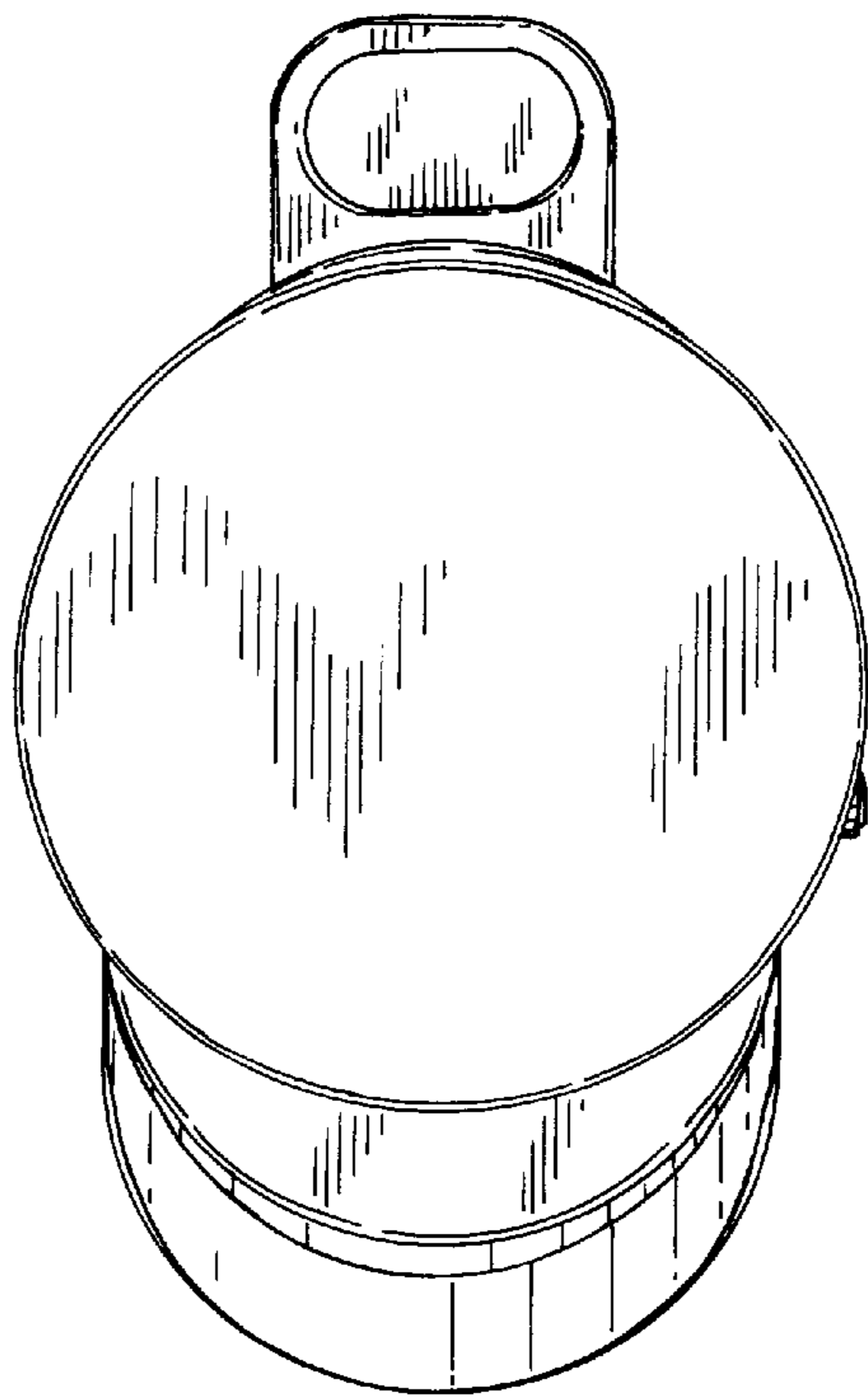


FIG. 7

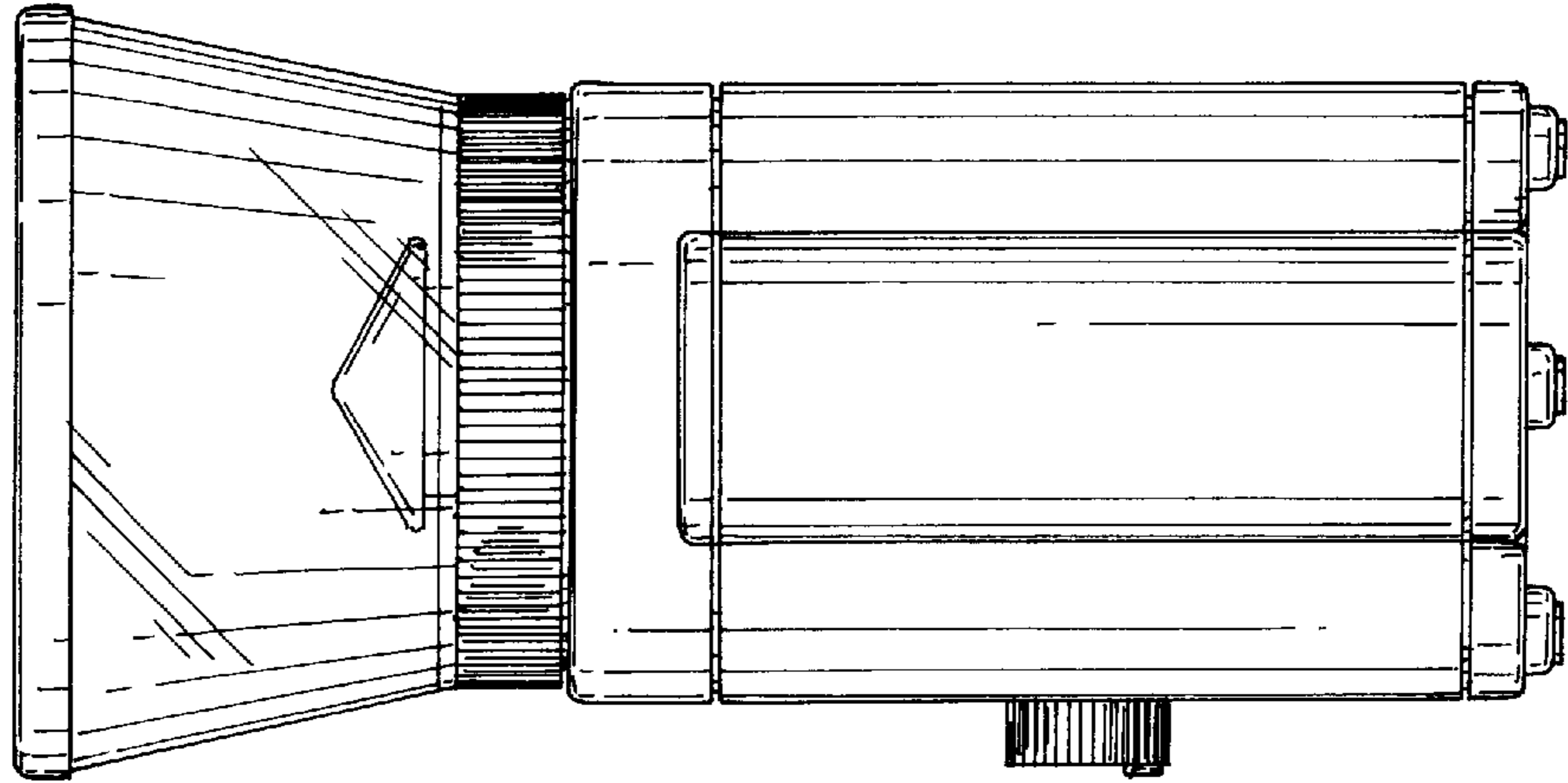


FIG. 6

