



US00D420246S

United States Patent [19]

Alonge et al.

[11] Patent Number: **Des. 420,246**

[45] Date of Patent: **** Feb. 8, 2000**

[54] **SLOW COOKER**

[76] Inventors: **Barbara Alonge**, 1512 Maeder Ave., North Merrick, N.Y. 11566; **David Sabin**, 210 N. Mayflower, Lake Forest, Ill. 60045

[**] Term: **14 Years**

[21] Appl. No.: **29/093,339**

[22] Filed: **Sep. 9, 1998**

[51] **LOC (7) Cl.** **07-02**

[52] **U.S. Cl.** **D7/360**

[58] **Field of Search** D7/323, 354-361; 220/573.1, 573.4; 99/324, 325, 403

[56] **References Cited**

U.S. PATENT DOCUMENTS

- D. 170,575 10/1953 Jepson D7/360
- D. 280,064 8/1985 Obata et al. D7/360

- D. 284,257 6/1986 Greb et al. D7/355
- D. 300,598 4/1989 Ueda et al. D7/360
- D. 335,063 4/1993 Napolitano D7/360
- D. 376,724 12/1996 Mendelson et al. D7/360

Primary Examiner—Caron D. Veynar
Attorney, Agent, or Firm—Jerry A. Schulman

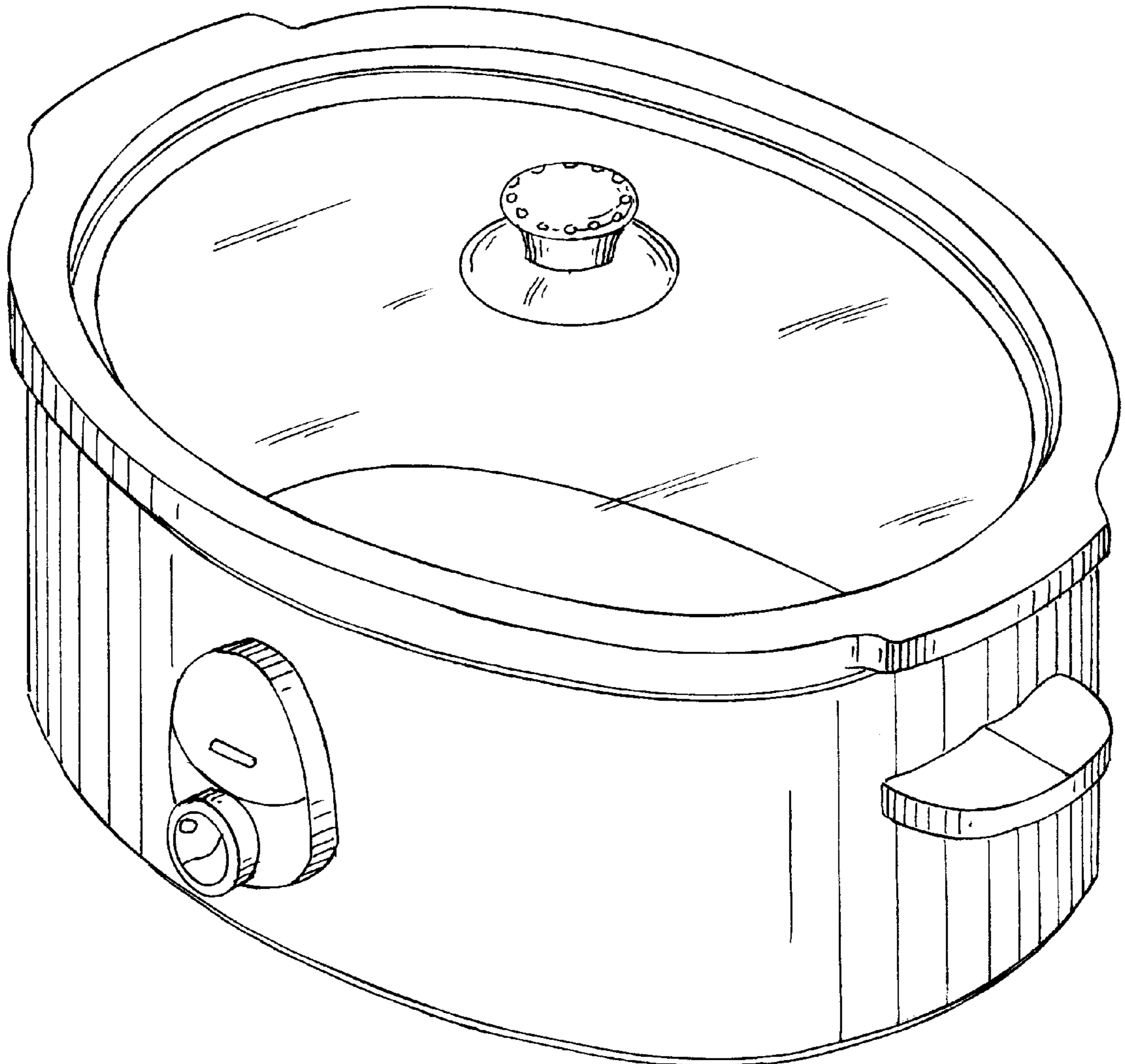
[57] **CLAIM**

The ornamental design for a slow cooker, as shown and described.

DESCRIPTION

FIG. 1 is a front elevational view of the present invention; FIG. 2 is a right lateral elevational view thereof; FIG. 3 is a left lateral elevational view thereof; FIG. 4 is a top plan view thereof; FIG. 5 is a bottom plan view thereof; FIG. 6 is a rear elevational view thereof; and, FIG. 7 is a perspective view thereof.

1 Claim, 4 Drawing Sheets



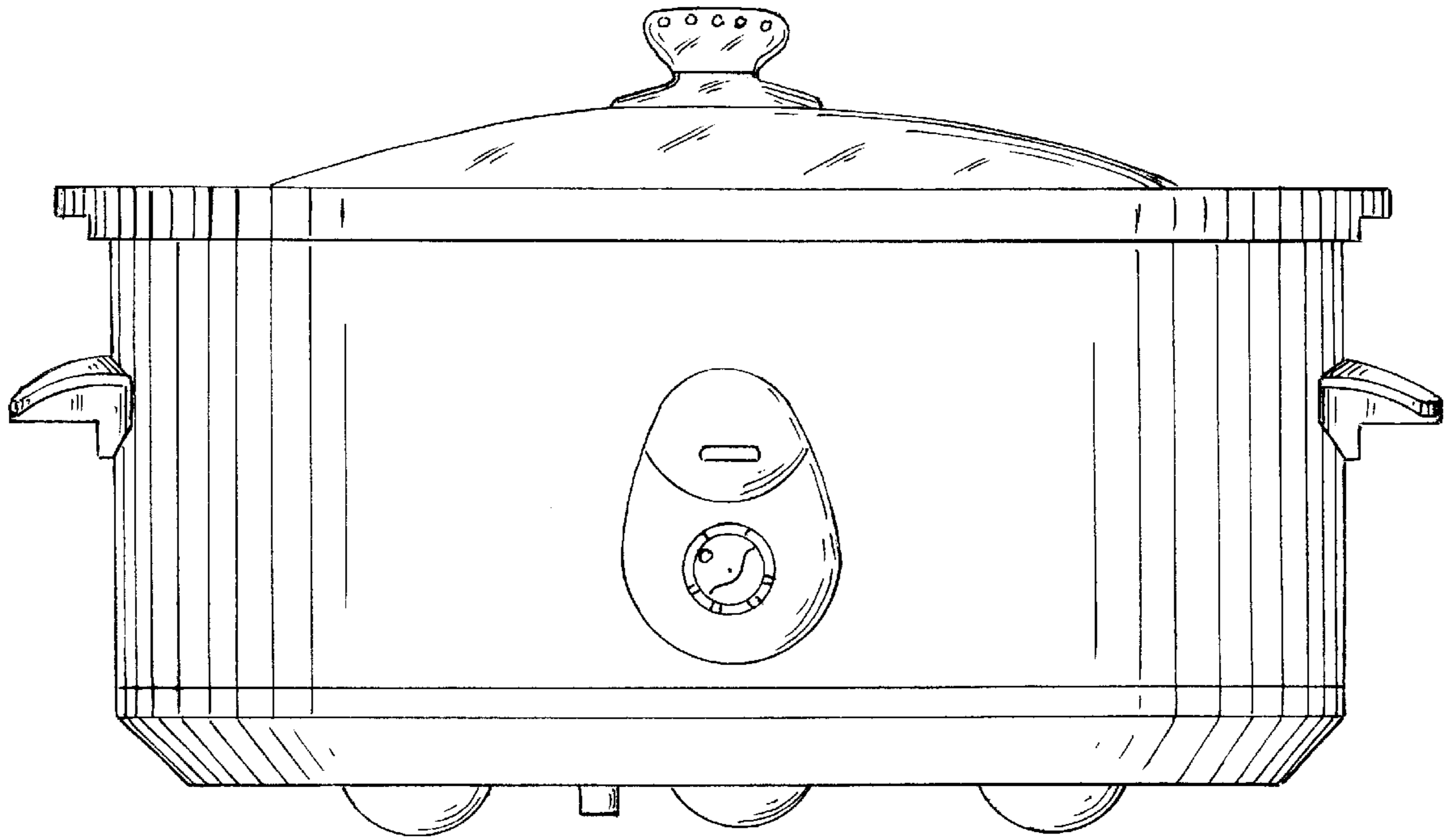


FIG. 1

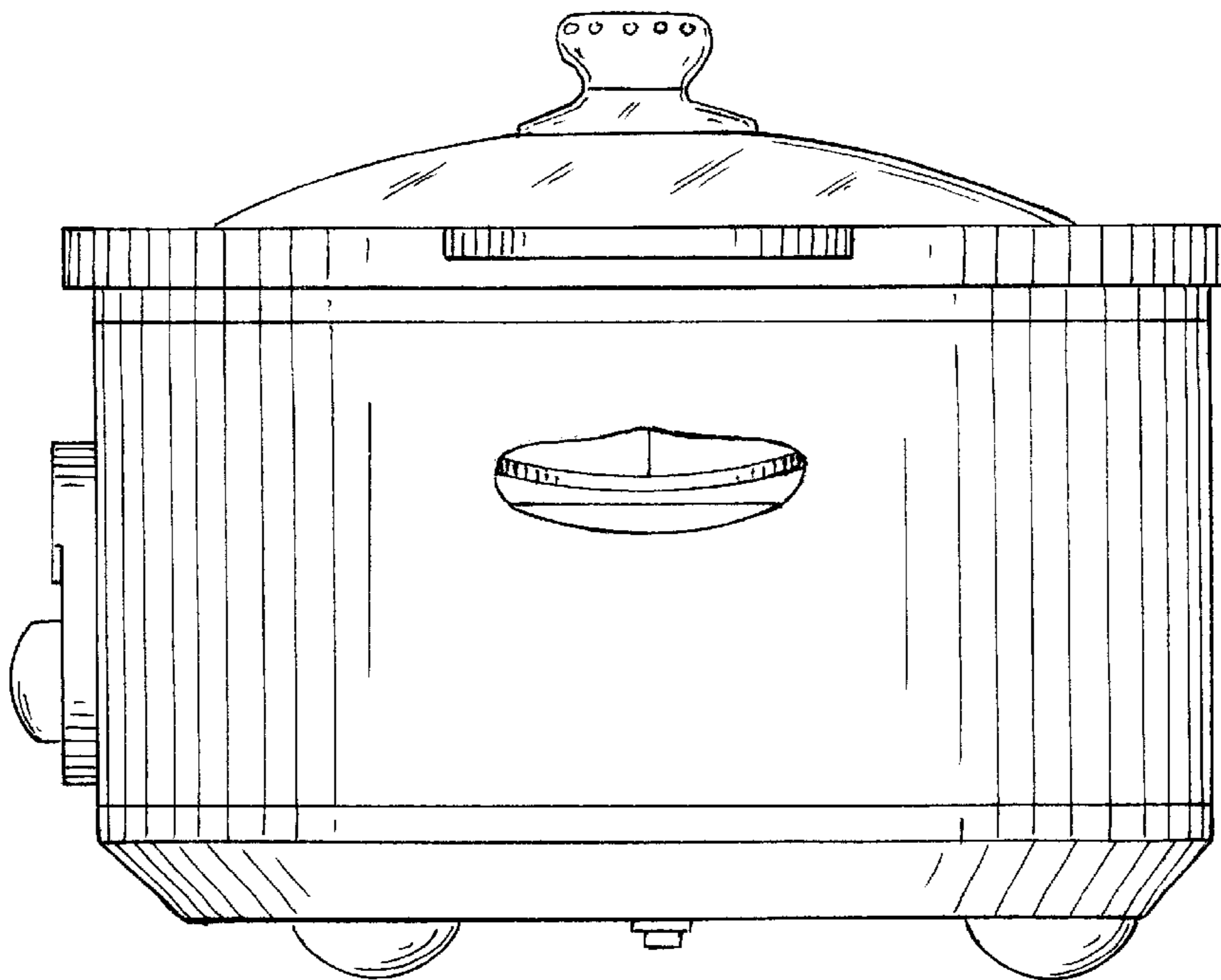


FIG. 2

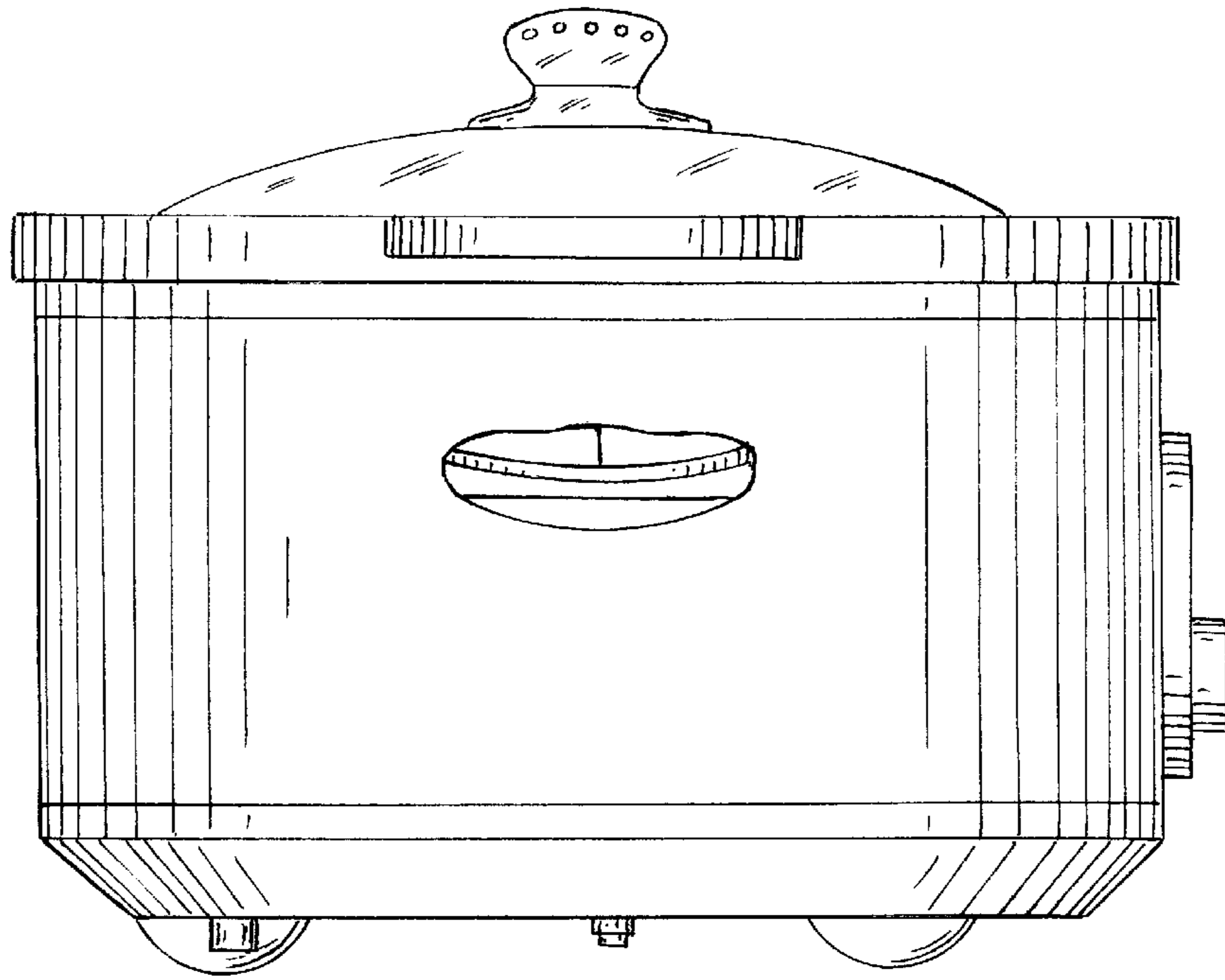


FIG. 3

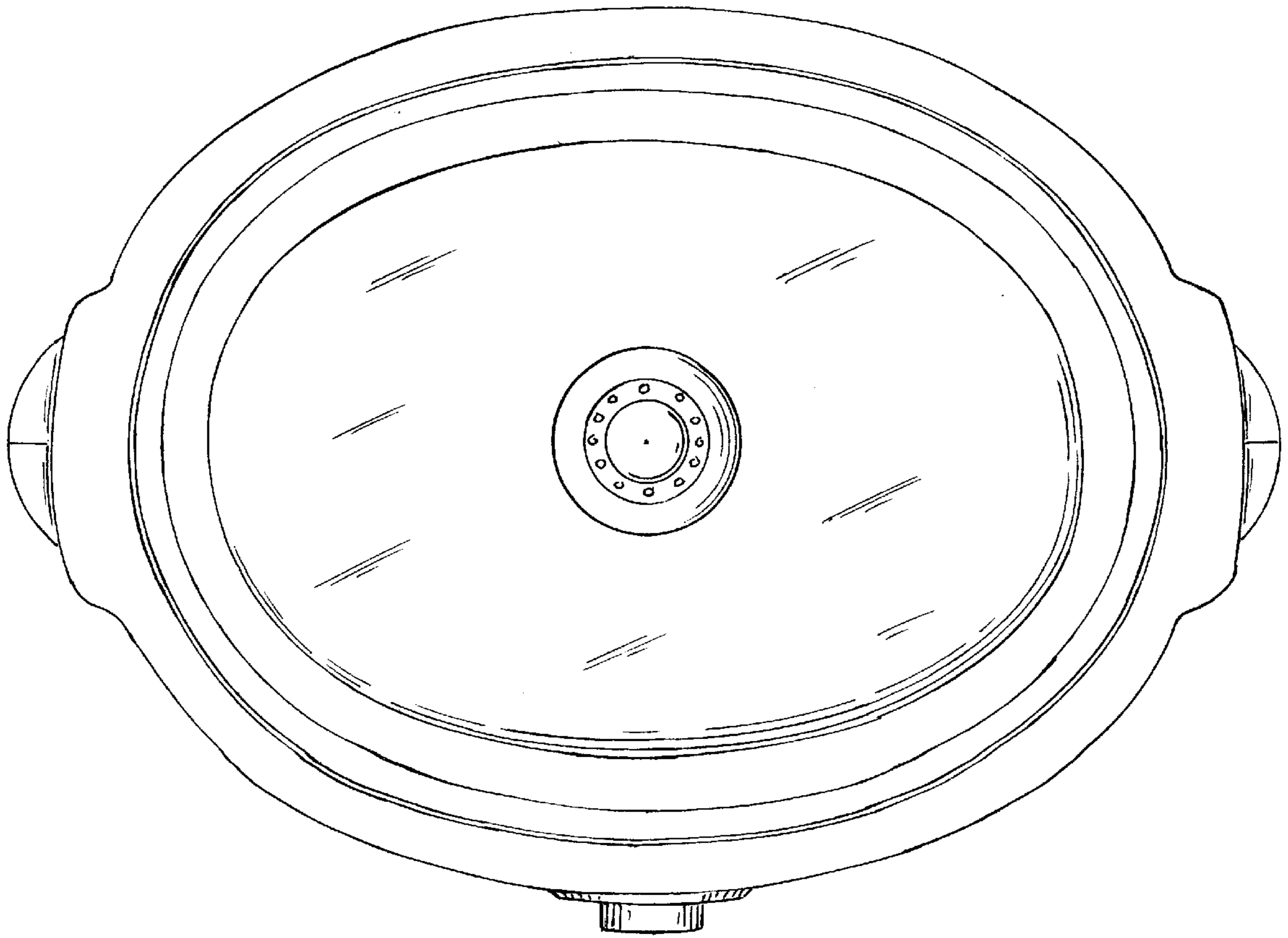


FIG. 4

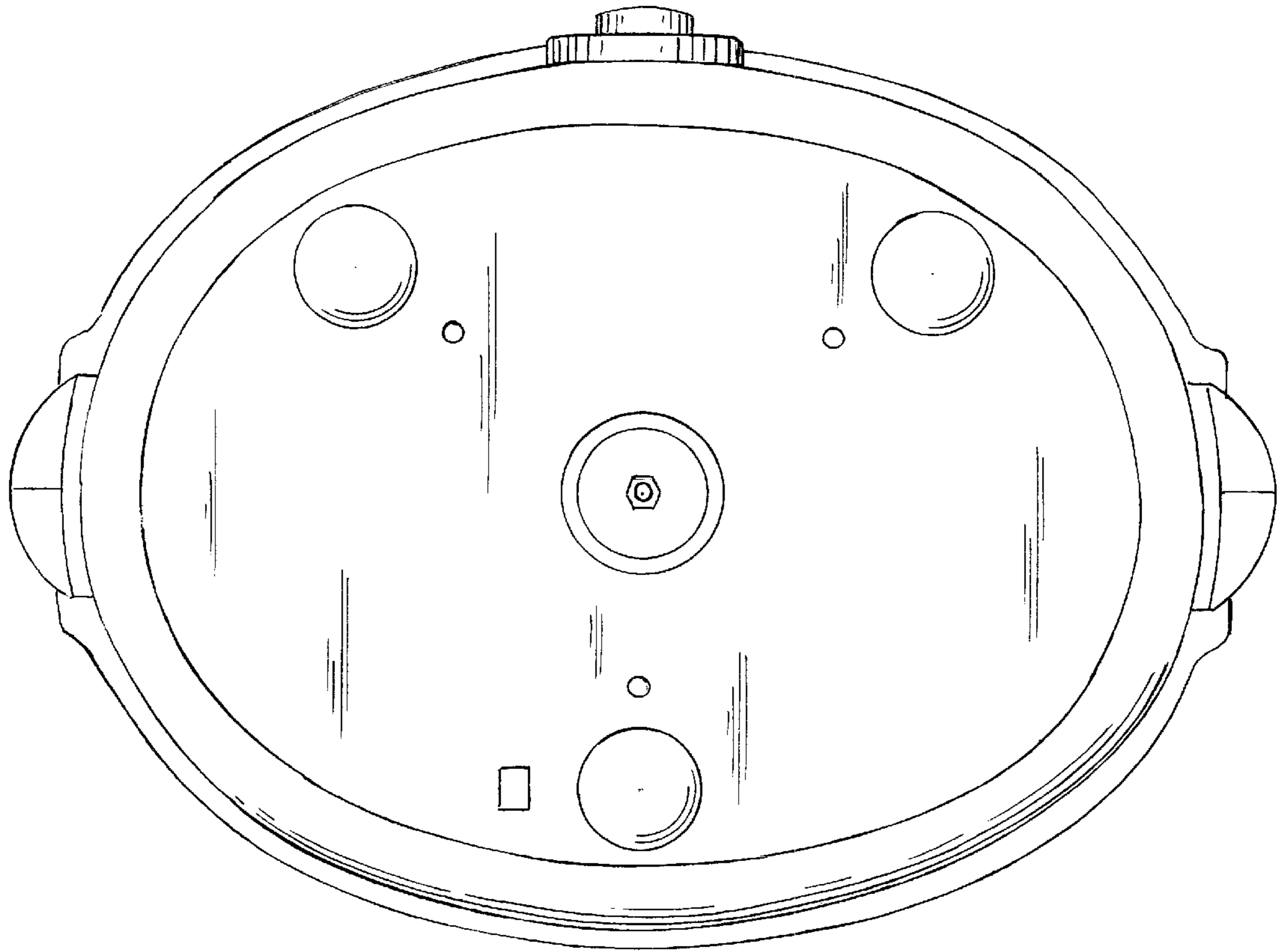


FIG. 5

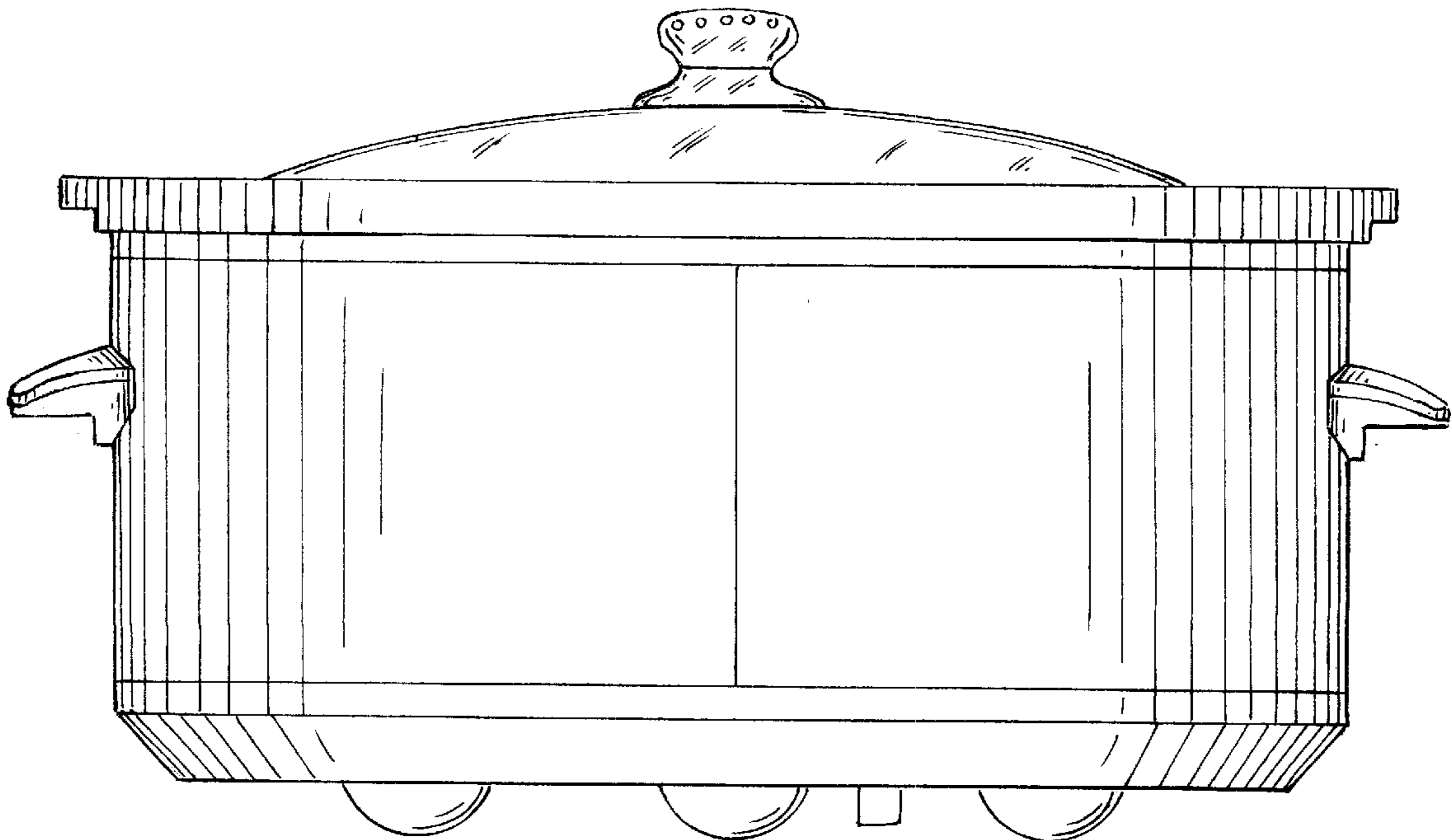


FIG. 6

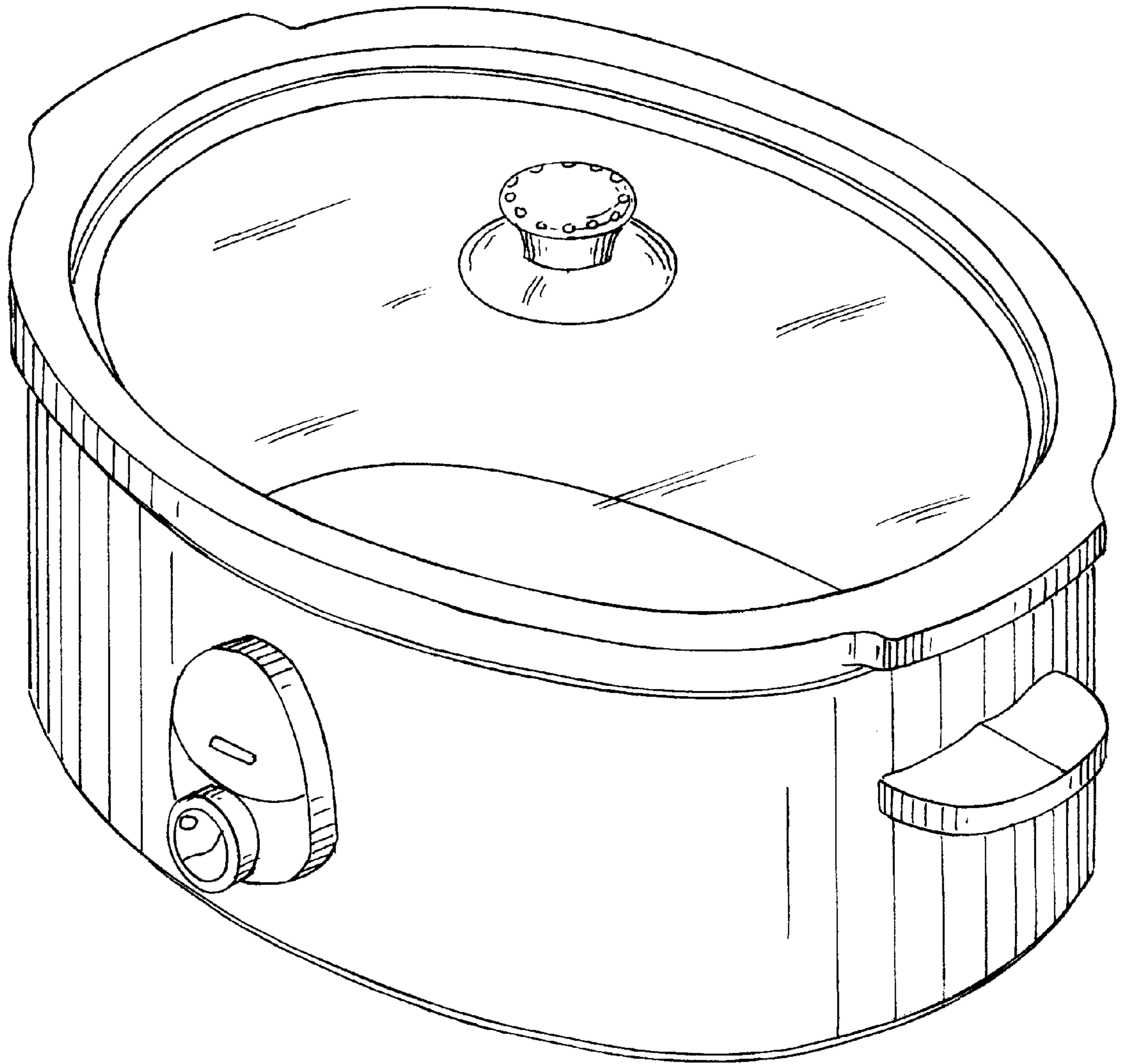


FIG. 7