



US00D420244S

# United States Patent [19] Pai

[11] Patent Number: **Des. 420,244**

[45] Date of Patent: **\*\* Feb. 8, 2000**

[54] **BARBECUE GRILL**

[76] Inventor: **Lucas Pai**, 9 Fl.-1, No. 160, Sec. 1,  
Chung-Kang Rd., Taichung, Taiwan

[\*\*] Term: **14 Years**

[21] Appl. No.: **29/097,204**

[22] Filed: **Dec. 1, 1998**

[51] **LOC (7) Cl.** ..... **07-02**

[52] **U.S. Cl.** ..... **D7/332; D7/337**

[58] **Field of Search** ..... D7/332-338, 402-404;  
126/275 R, 275 E, 19 M, 19 R, 21 A, 25 R,  
25 A, 25 AA, 29-30, 9 R, 9 A, 9 B, 39 R,  
41 R, 40; 219/10.55 R, 10.55 A, 10.55 B,  
10.55 C, 403, 386; 99/340-341, 419, 421 R,  
421 H, 446, 450

[56] **References Cited**

**U.S. PATENT DOCUMENTS**

D. 221,668 8/1971 Schendel ..... D7/332  
D. 254,119 2/1980 Mark ..... D7/337

D. 270,988 10/1983 Anderson ..... D7/337  
D. 282,619 2/1986 Fitzgerald et al. .... D7/332  
D. 301,106 5/1989 Oliphant ..... D7/332  
D. 302,641 8/1989 Elmburg ..... D7/332  
D. 381,552 7/1997 Pizzey et al. .... D7/332

*Primary Examiner*—Ruth McInroy  
*Attorney, Agent, or Firm*—Rosenberg, Klein & Lee

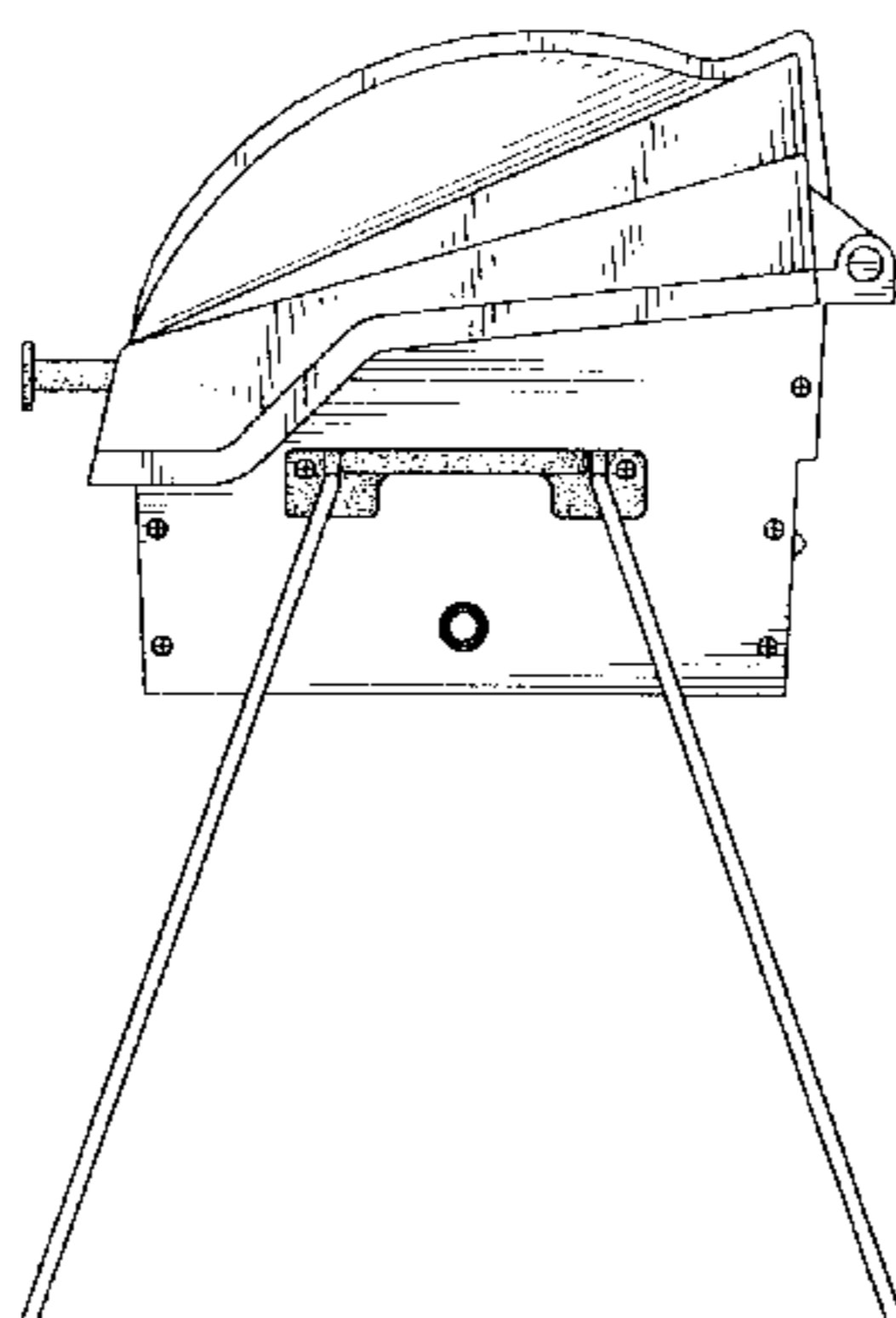
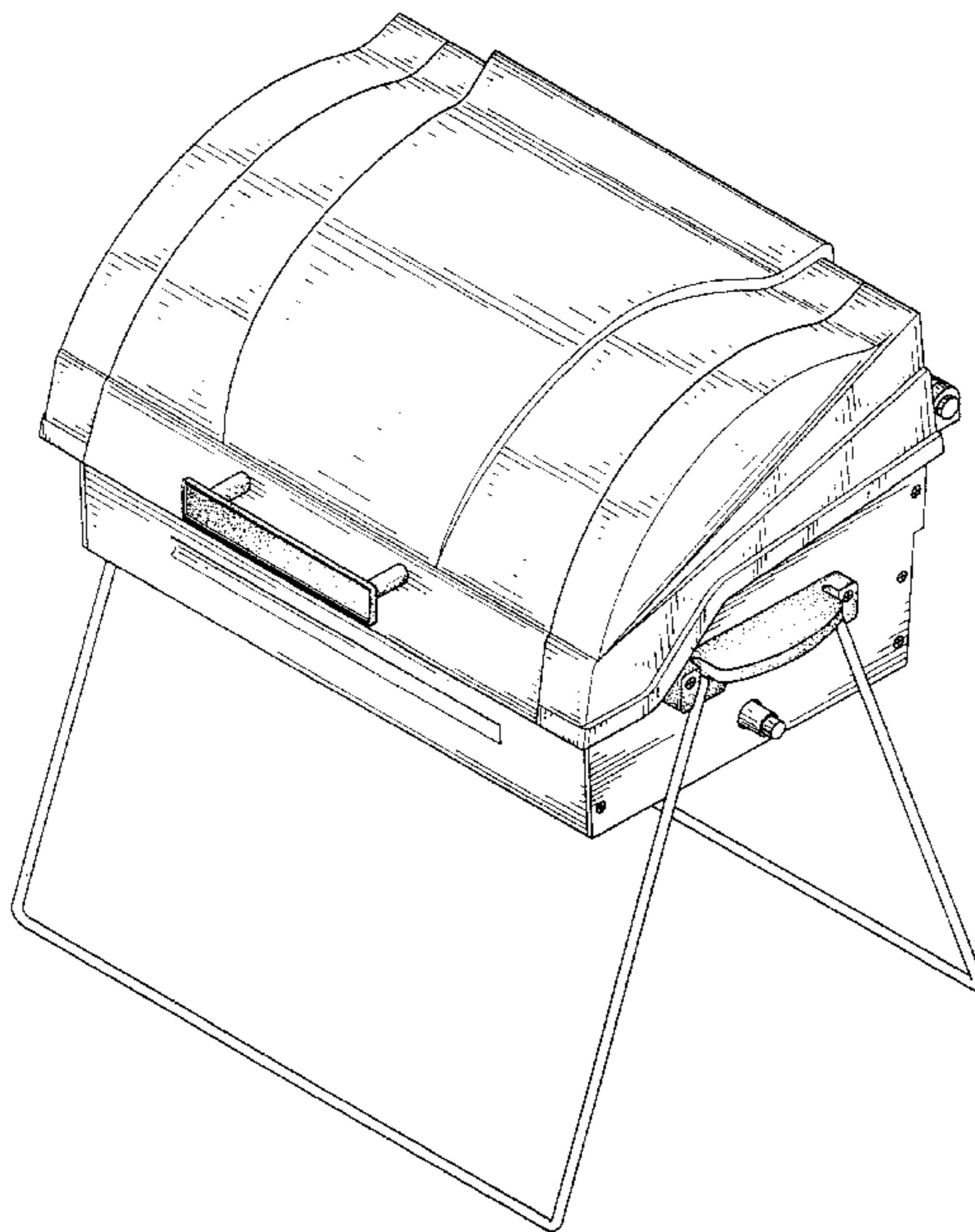
[57] **CLAIM**

The ornamental design for a barbecue grill, as shown and described.

**DESCRIPTION**

FIG. 1 is a front-left-top perspective view of a barbecue grill, showing my new design;  
FIG. 2 is a front elevational view thereof;  
FIG. 3 is a rear elevational view thereof;  
FIG. 4 is a left side view thereof;  
FIG. 5 is a right side view thereof;  
FIG. 6 is a top plan view thereof, and,  
FIG. 7 is a bottom plan view thereof.

**1 Claim, 4 Drawing Sheets**



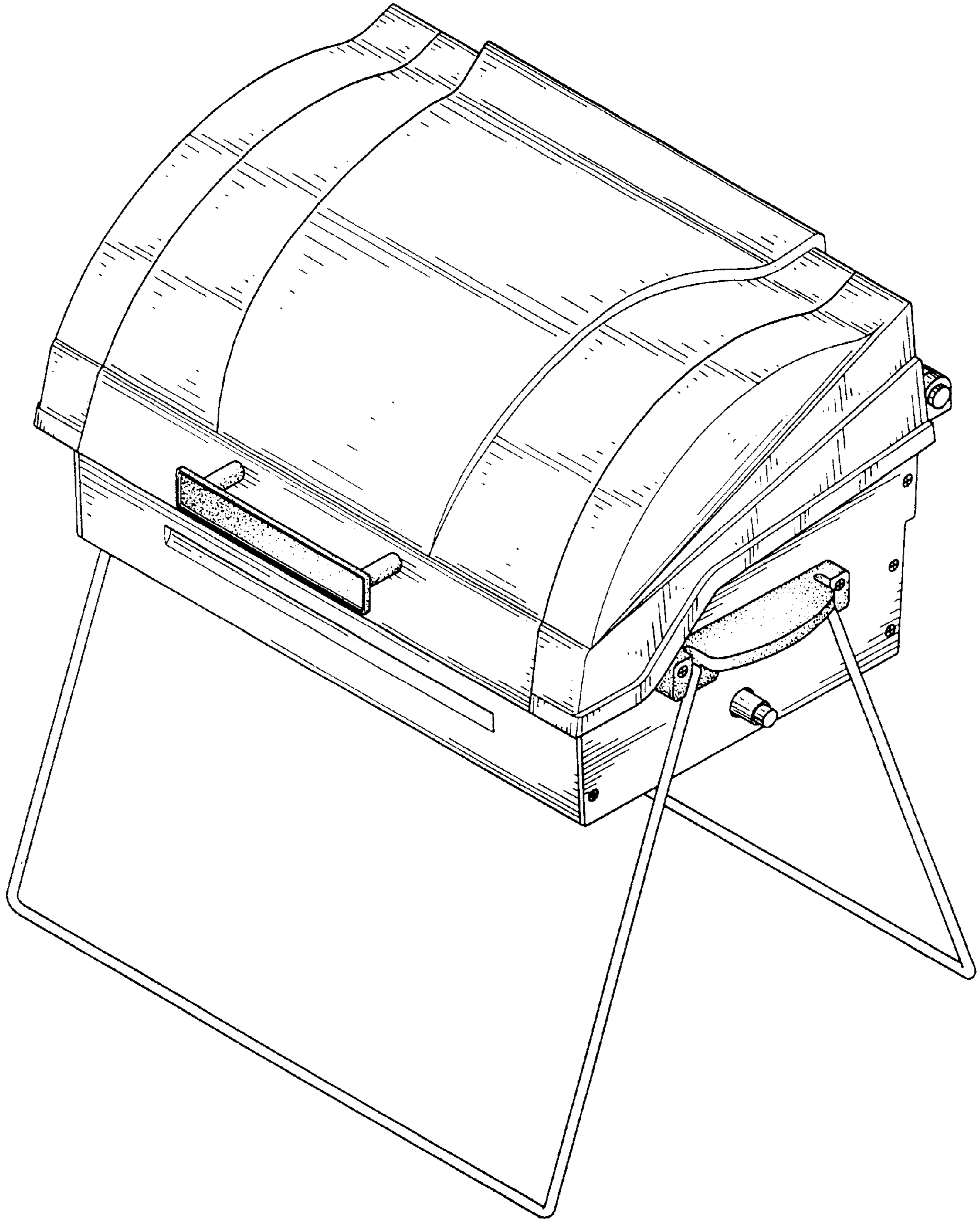


FIG. 1

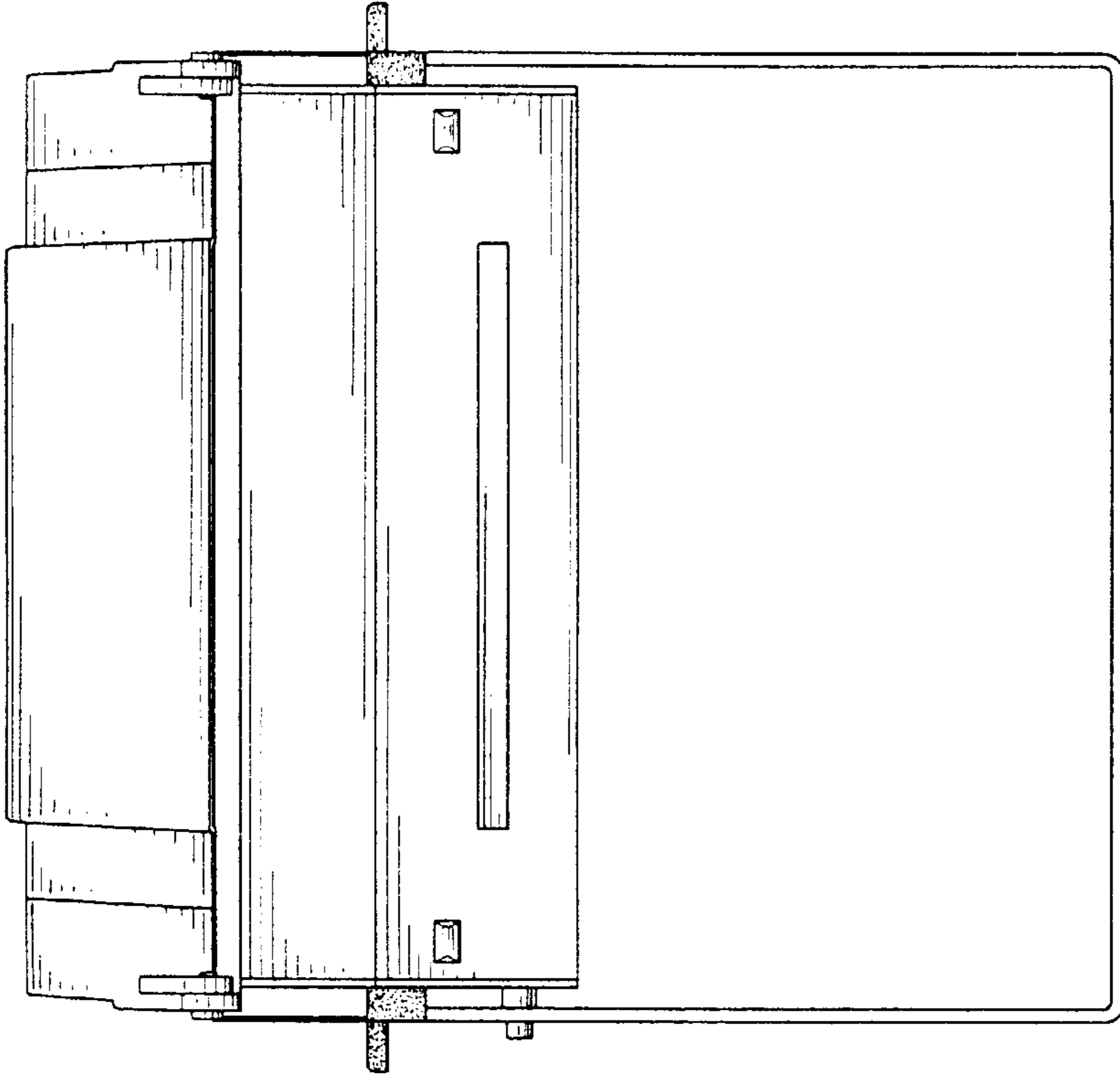


FIG. 2

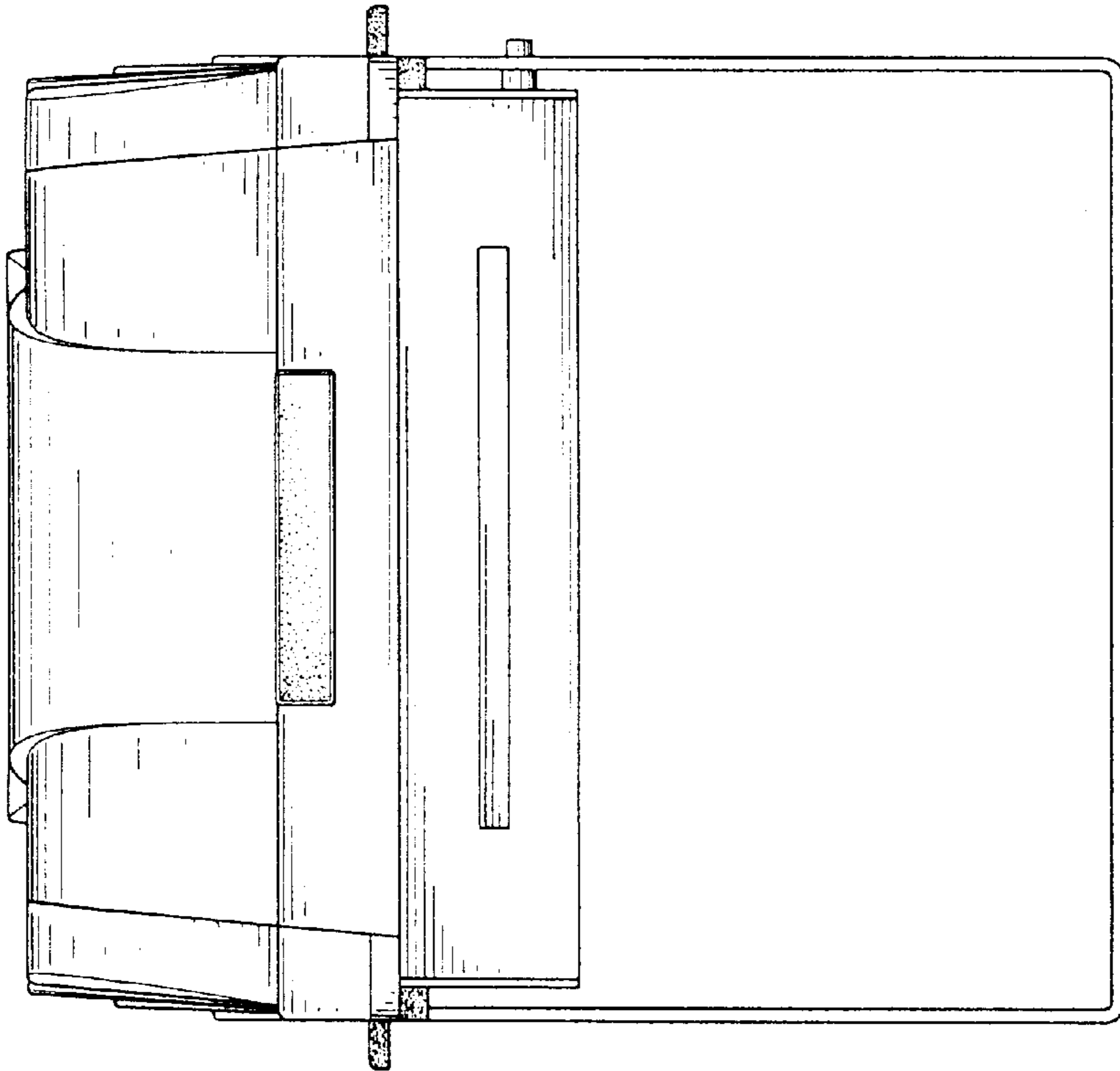


FIG. 3

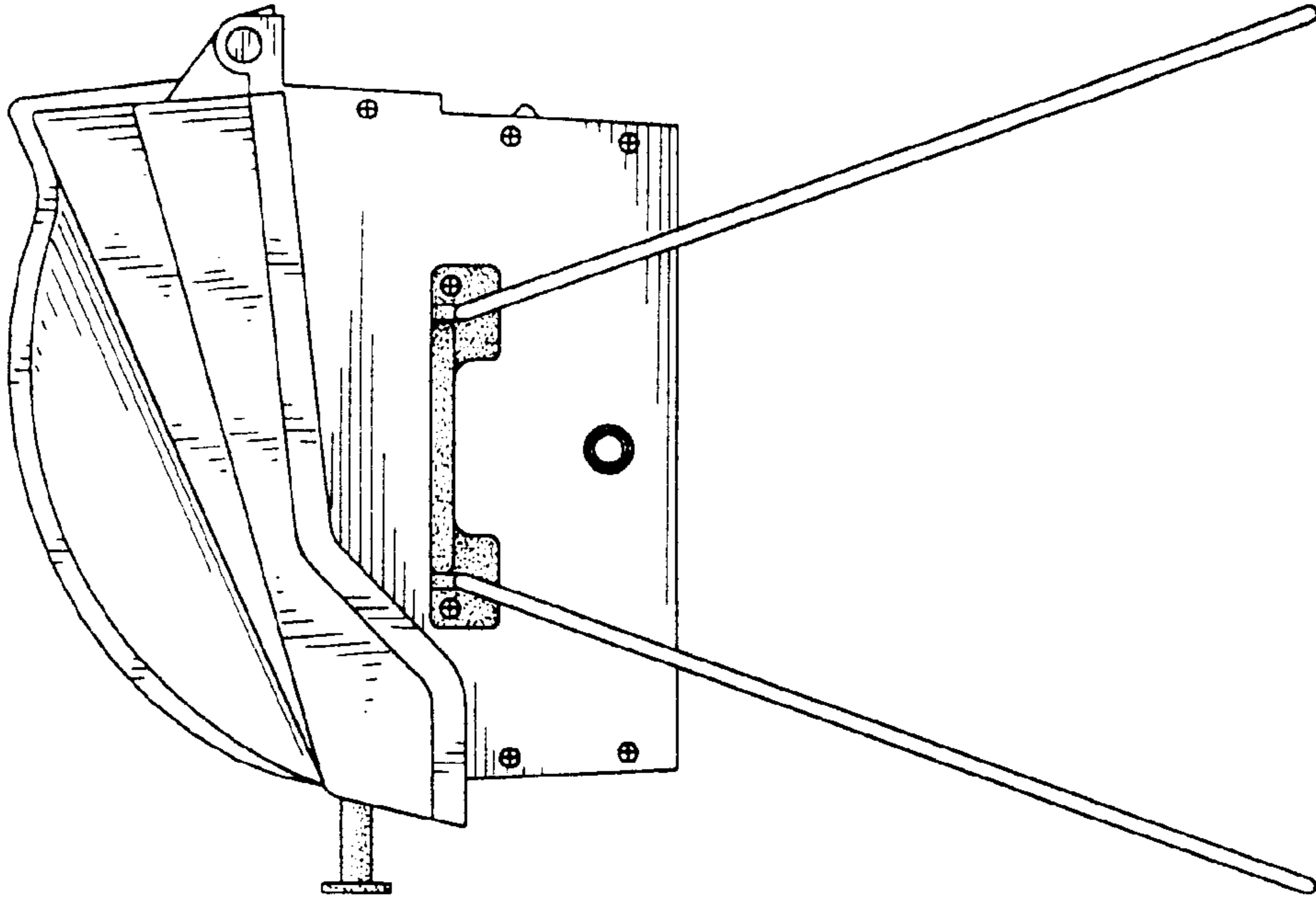


FIG. 4

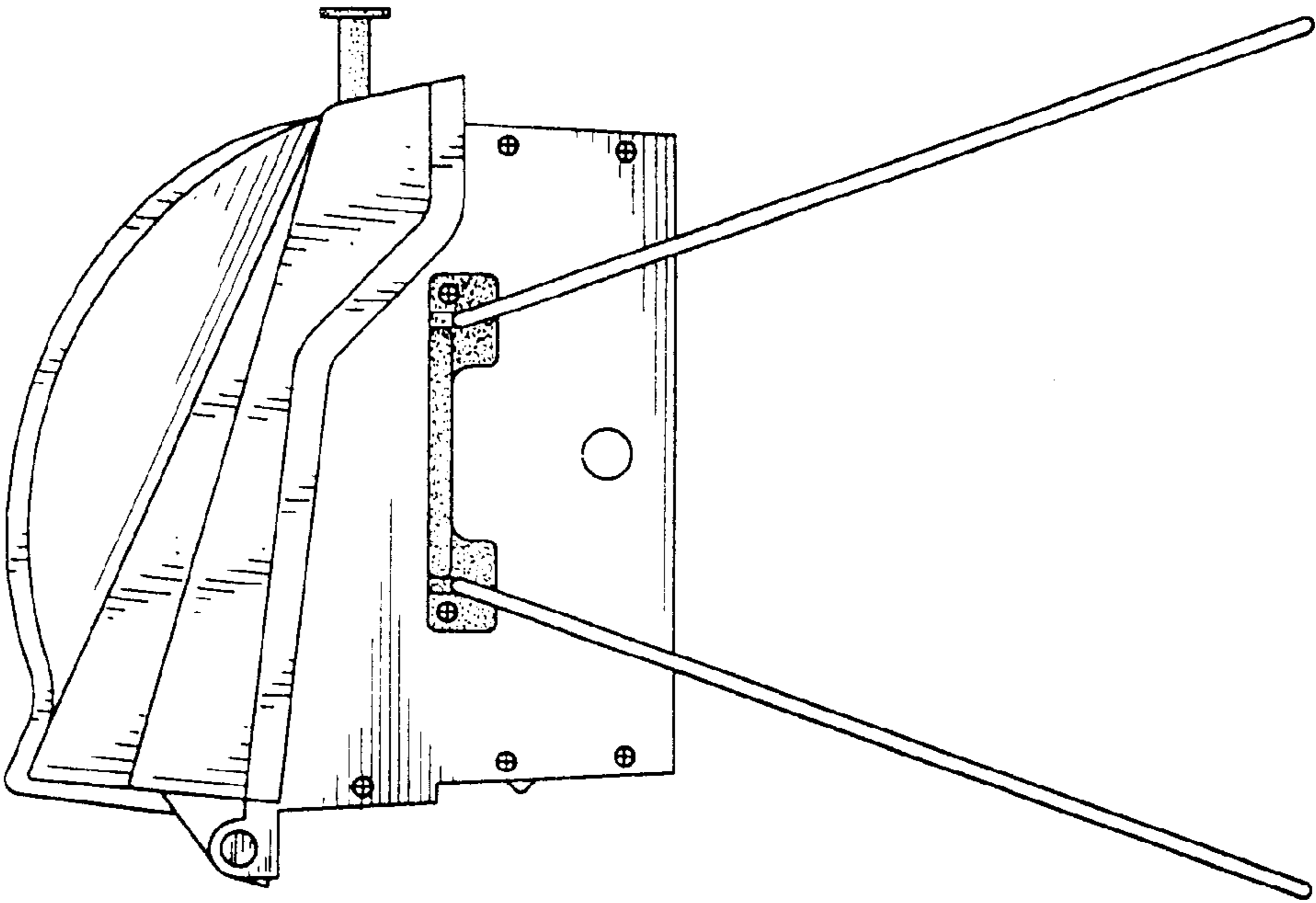


FIG. 5

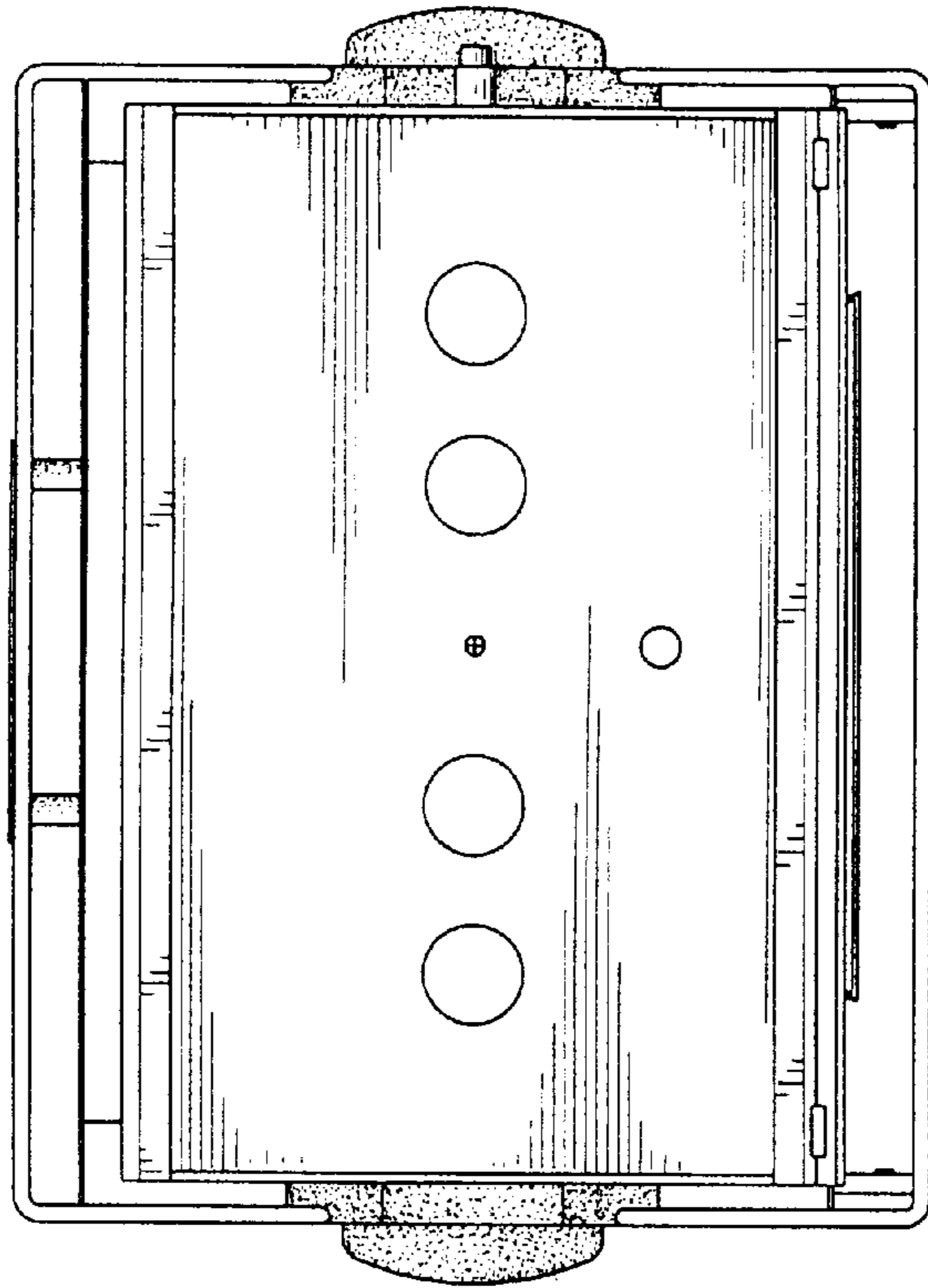


FIG. 6

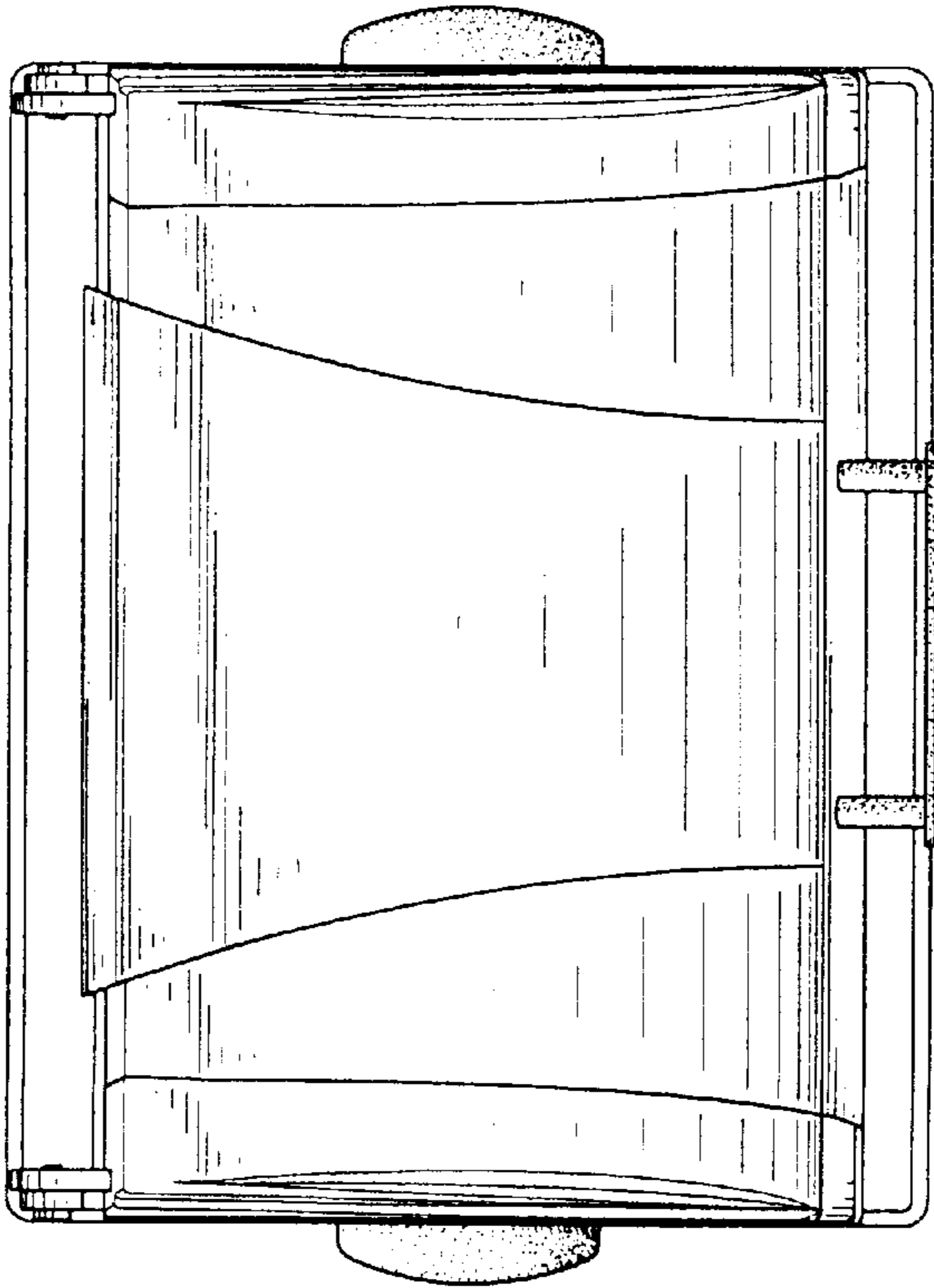


FIG. 7