



US00D420242S

United States Patent [19] Chiang

[11] Patent Number: **Des. 420,242**

[45] Date of Patent: **** Feb. 8, 2000**

[54] **BARBEQUE GRILL**

[76] Inventor: **Chih-Ming Chiang**, 7th Fl., No. 25,
Lane 33, Sec. 2, Hsingan Rd., Taichung,
Taiwan

[**] Term: **14 Years**

[21] Appl. No.: **29/077,715**

[22] Filed: **Oct. 9, 1997**

[51] **LOC (7) Cl.** **07-02**

[52] **U.S. Cl.** **D7/332**

[58] **Field of Search** D7/332-338, 402-404,
D7/409; 126/25 R, 25 A, 25 AA, 26-27,
29-30, 9 R, 41 R, 40, 50, 245, 38, 39 B;
99/482; D6/458, 462, 487, 499; 248/175,
188.7

[56] **References Cited**

U.S. PATENT DOCUMENTS

- D. 109,502 5/1938 Salomon .
- D. 147,820 11/1947 Smith .
- D. 157,791 3/1950 Ritts .
- D. 225,199 11/1972 Ginat .

- D. 284,929 8/1986 Schlosser et al. D7/332
- D. 315,079 3/1991 Jui-Yen D7/334
- D. 352,865 11/1994 Pai D7/337
- D. 376,510 12/1996 Ting D7/332
- D. 381,860 8/1997 Chiang D7/334
- D. 395,785 7/1998 Lin D7/332
- 5,159,917 11/1992 Archer et al. 126/25 R

Primary Examiner—Ruth McInroy
Attorney, Agent, or Firm—Patterson & Keough, P.A.

[57] **CLAIM**

The ornamental design for a barbeque grill, as shown and described.

DESCRIPTION

FIG. 1 is a front-left-top perspective view of a barbeque grill, showing my new design;
FIG. 2 is a front elevational view thereof;
FIG. 3 is a rear elevational view thereof;
FIG. 4 is a left side elevational view thereof;
FIG. 5 is a right side elevational view thereof;
FIG. 6 is a top plan view thereof; and,
FIG. 7 is a bottom plan view thereof.

1 Claim, 6 Drawing Sheets

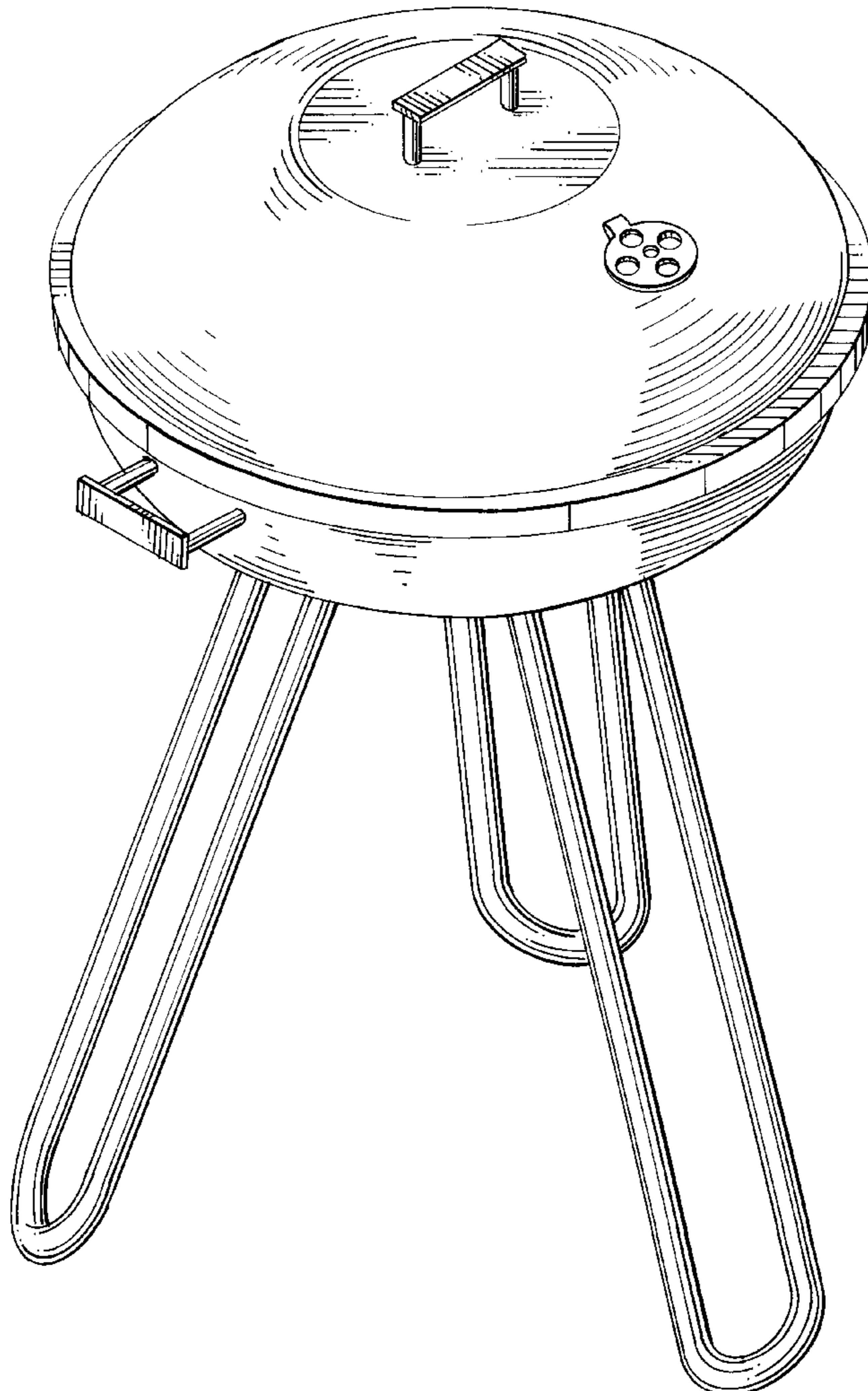


Fig. 1

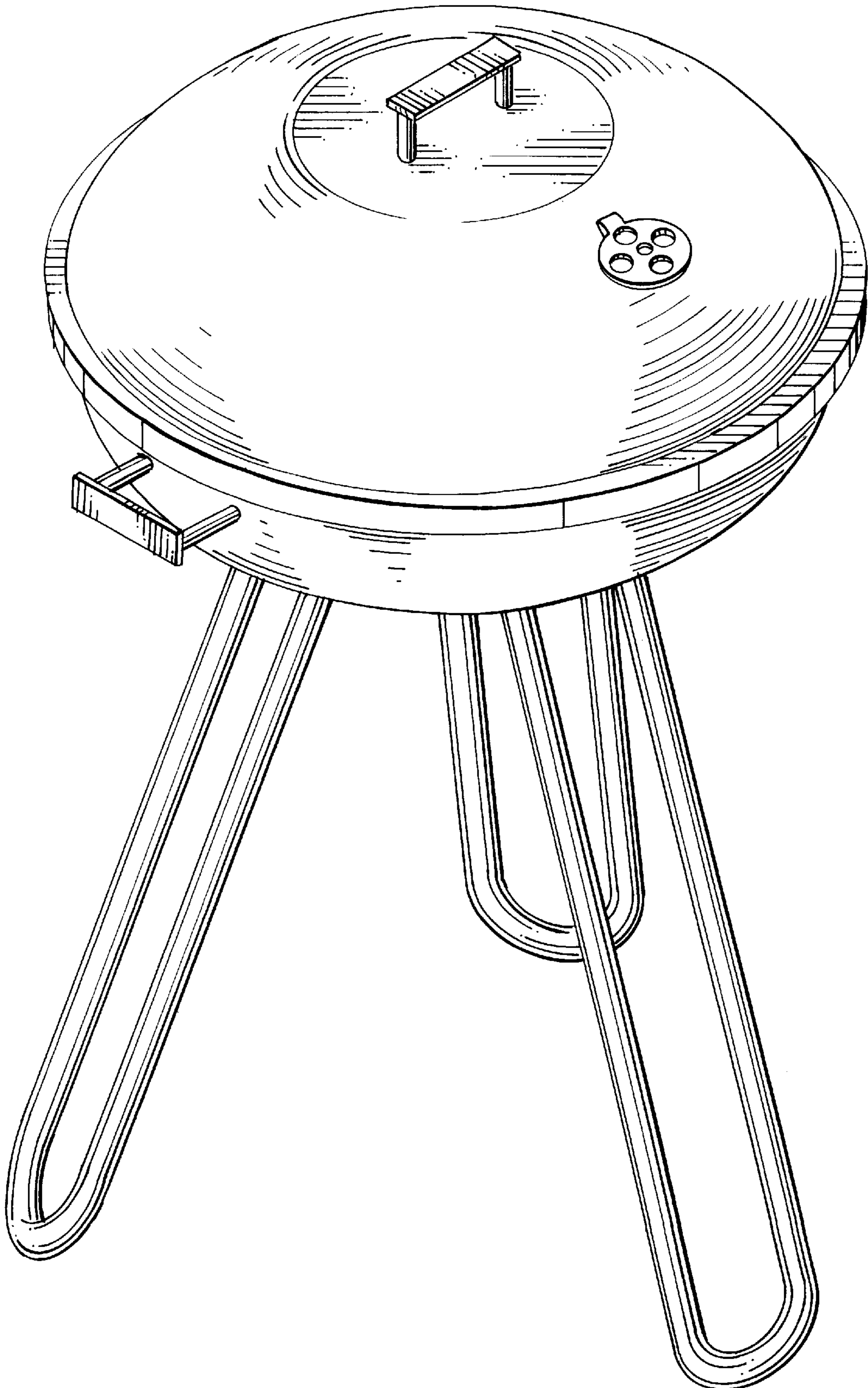


Fig. 2

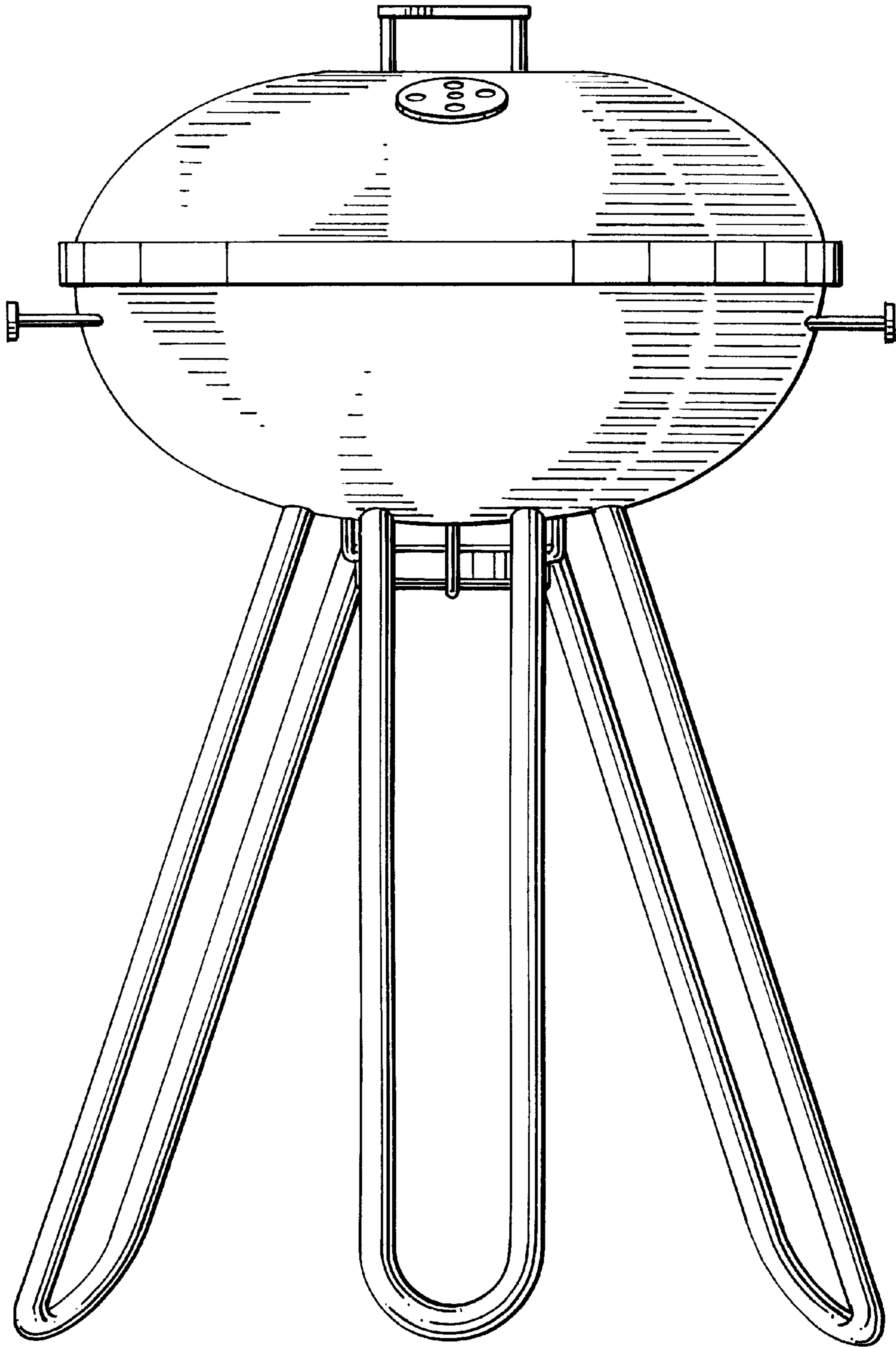


Fig. 3

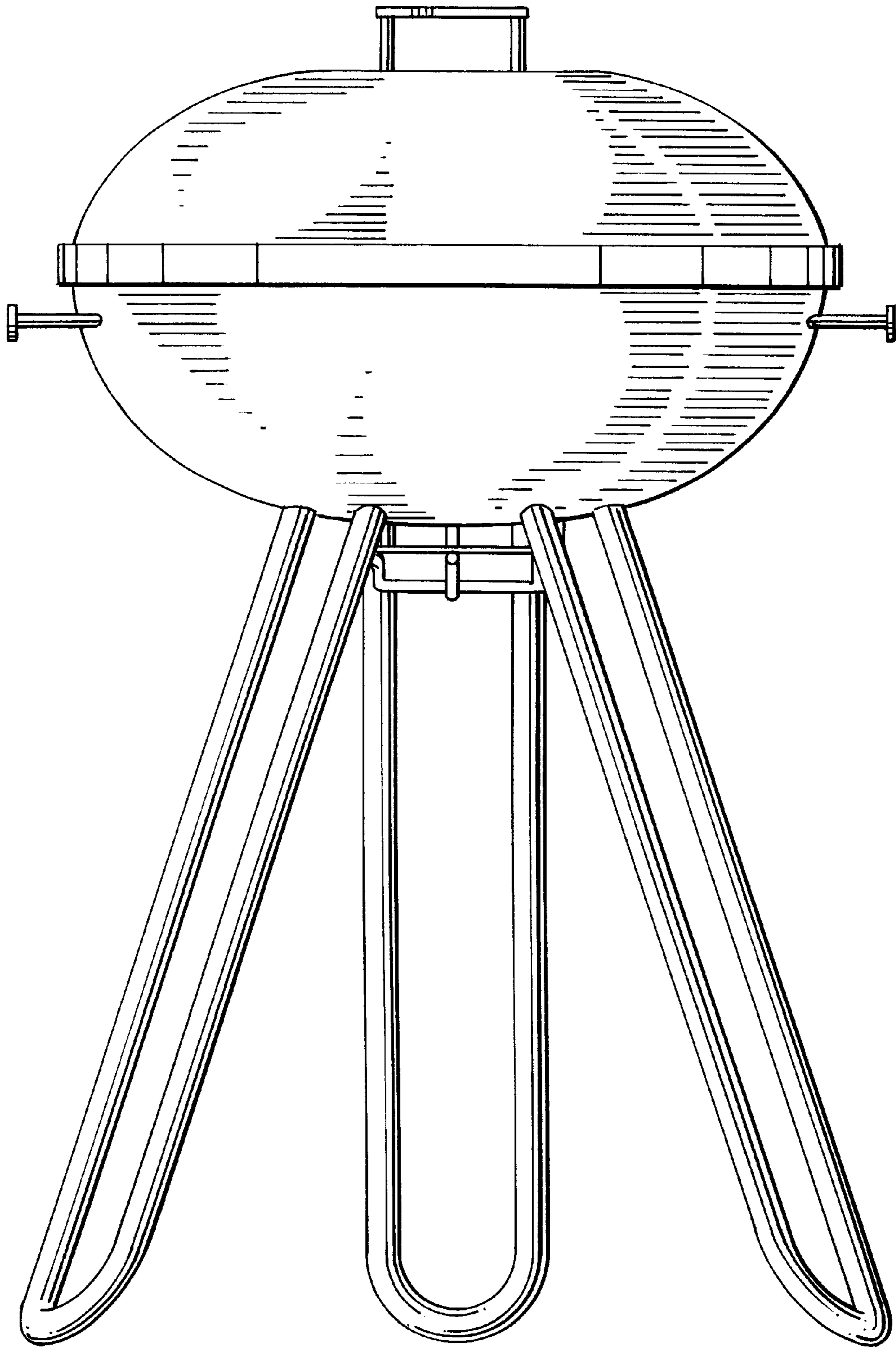


Fig. 4

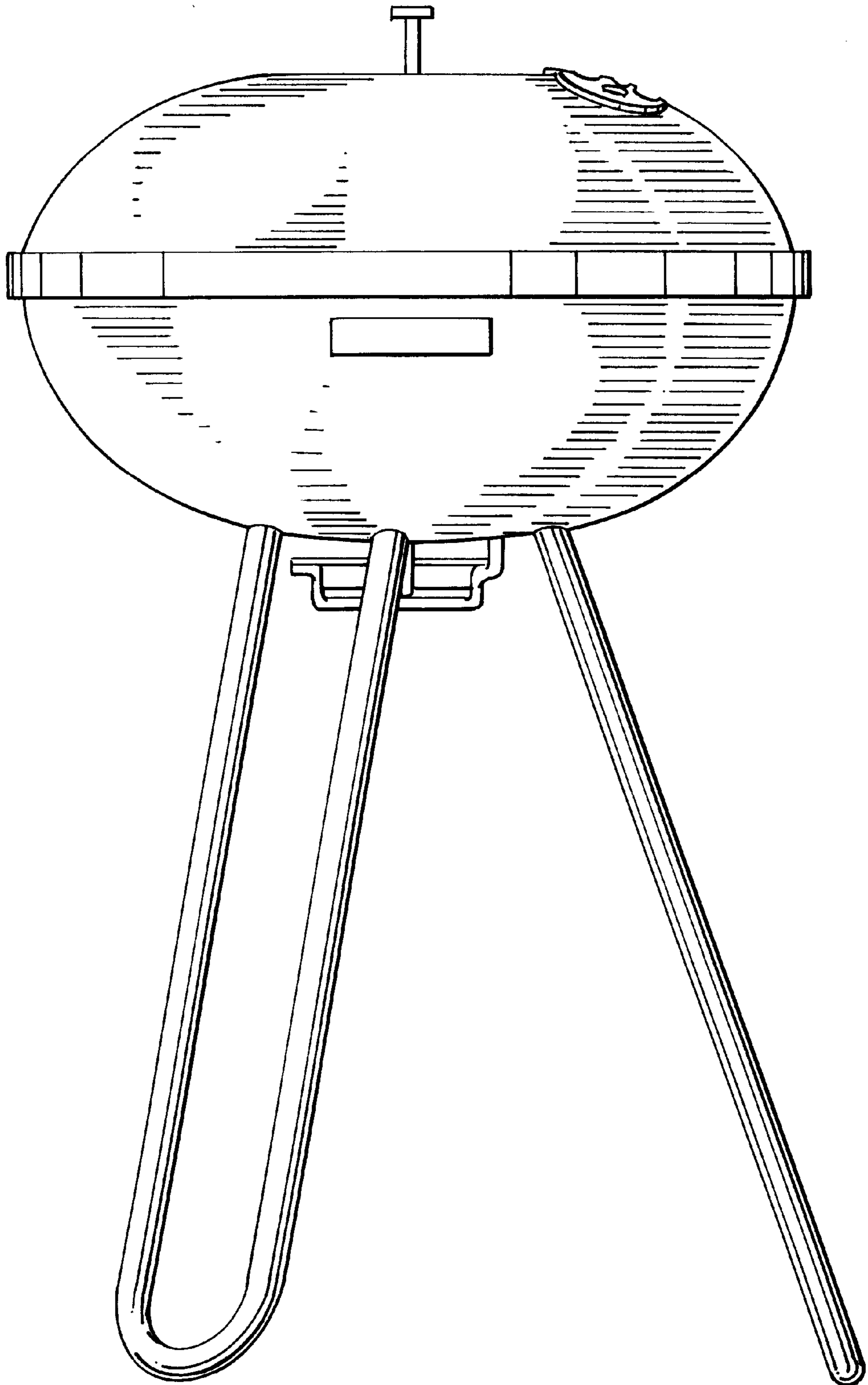


Fig. 5

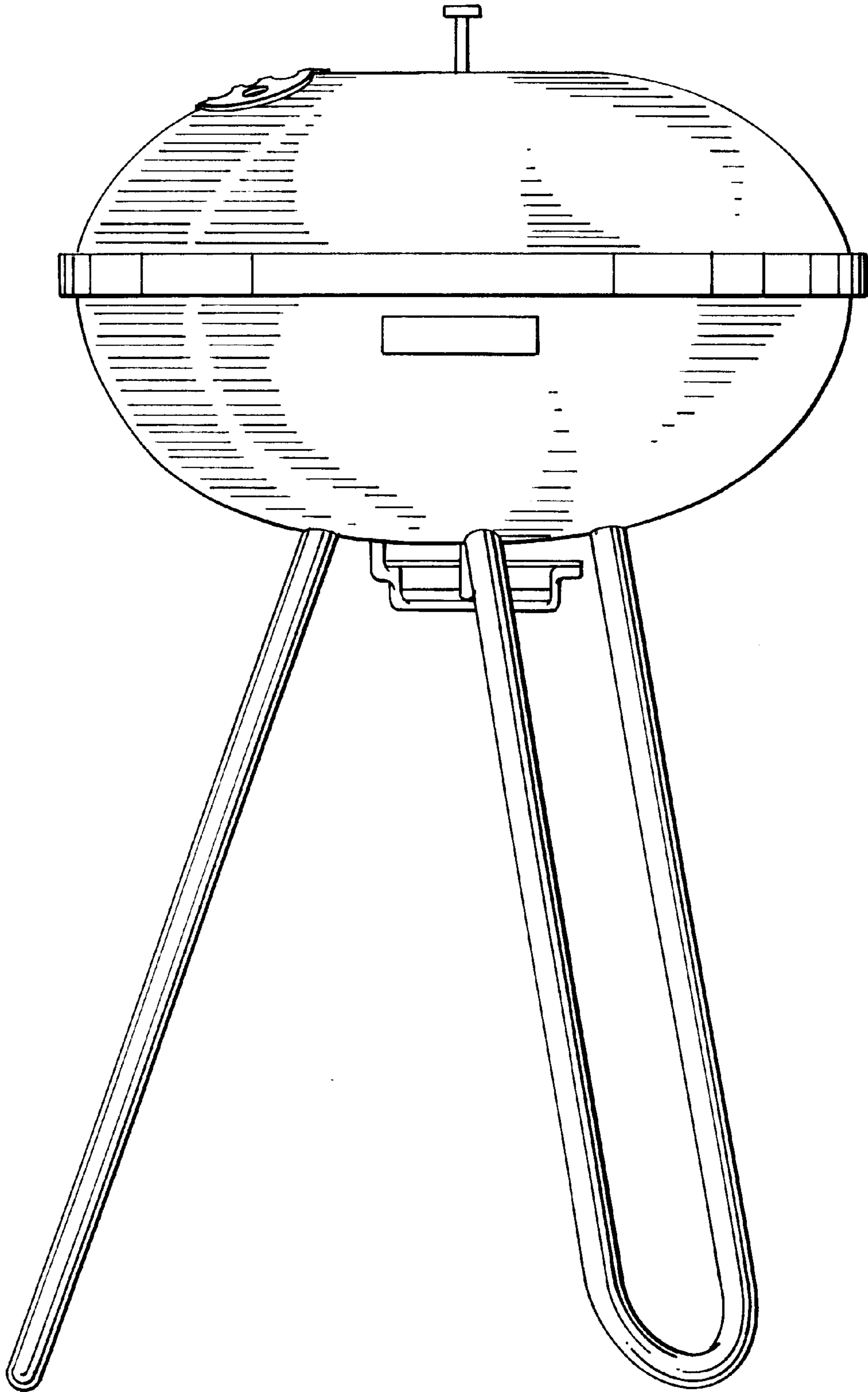


Fig. 6

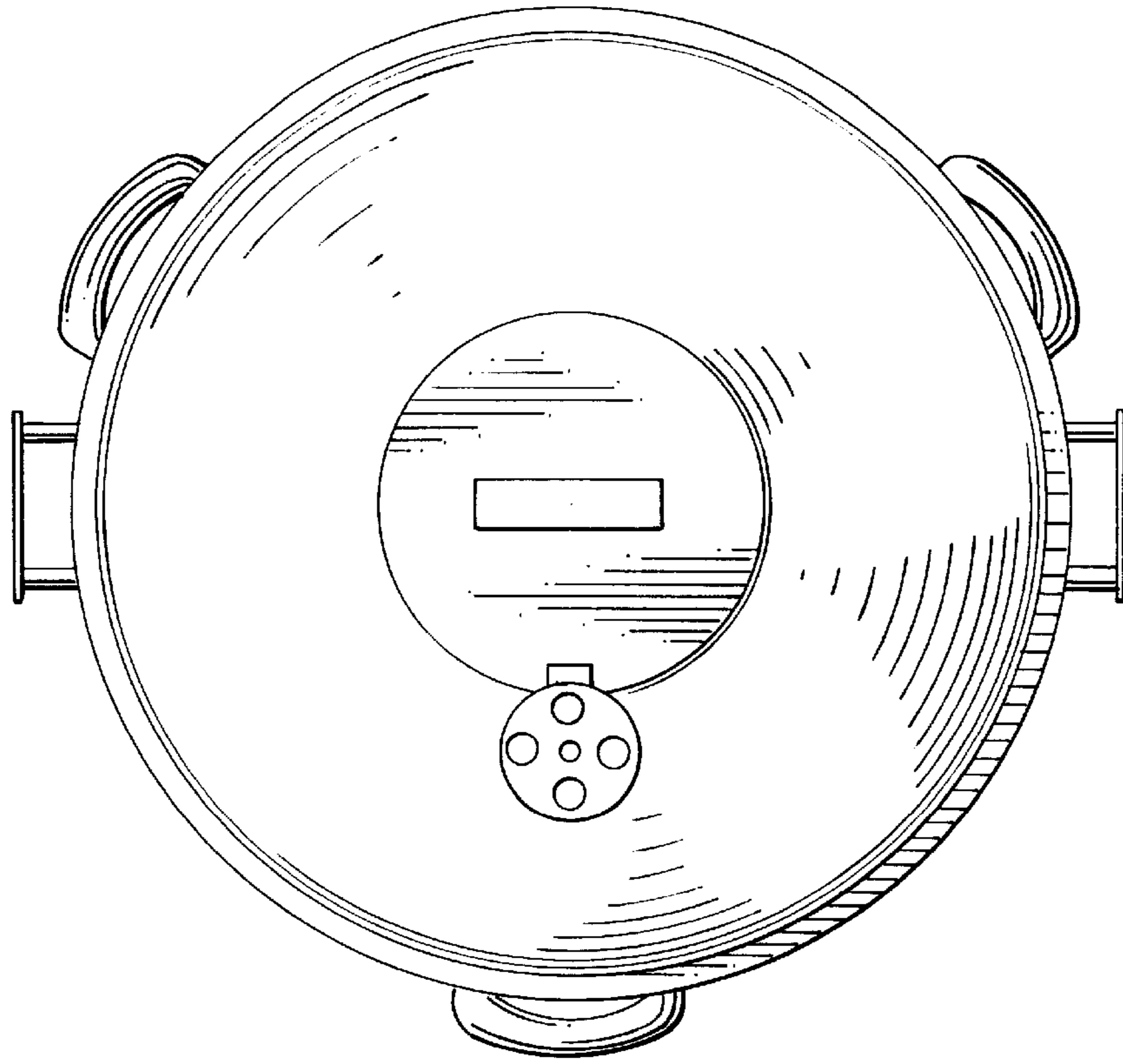


Fig. 7

