



US00D420241S

United States Patent [19] Huang

[11] **Patent Number: Des. 420,241**
[45] **Date of Patent: ** Feb. 8, 2000**

[54] **VACUUM FLASK**
[76] **Inventor: Frank Teh-Hsiung Huang**, Suite 804,
8 Fl., No. 128, Sec. 3, Ming-Sheng E.
Rd., Taipei, Taiwan
[**] **Term: 14 Years**
[21] **Appl. No.: 29/087,592**
[22] **Filed: May 6, 1998**
[51] **LOC (7) Cl. 07-01**
[52] **U.S. Cl. D7/319; D7/318; D7/317**
[58] **Field of Search D7/598, 600, 590,**
D7/312, 316, 317, 318, 319, 321, 322;
99/289 R, 295, 279; 210/474; 222/454,
465.1, 469

D. 386,934 12/1997 Huang D7/319
D. 394,981 6/1998 Huang D7/319
D. 394,982 6/1998 Huang D7/319
D. 395,576 6/1998 Huang D7/319
D. 396,377 7/1998 Tamura D7/319
D. 405,640 2/1999 Saltet D7/319

Primary Examiner—M. N. Pandozzi
Attorney, Agent, or Firm—Bacon & Thomas

[57] CLAIM

The ornamental design for vacuum flask, as shown and described.

DESCRIPTION

FIG. 1 is a perspective view of vacuum flask showing my new design thereof;
FIG. 2 is a front elevational view and the rear elevational view being a mirror image thereof;
FIG. 3 is a left side elevational view thereof;
FIG. 4 is a right elevational view thereof;
FIG. 5 is a top plan view thereof; and,
FIG. 6 is a bottom plan view thereof.

[56] **References Cited**
U.S. PATENT DOCUMENTS
D. 281,570 12/1985 Zimmermann D7/321
D. 337,235 7/1993 Huang D7/317
D. 363,409 10/1995 Huang D7/317
D. 369,714 5/1996 Huang D7/319

1 Claim, 4 Drawing Sheets

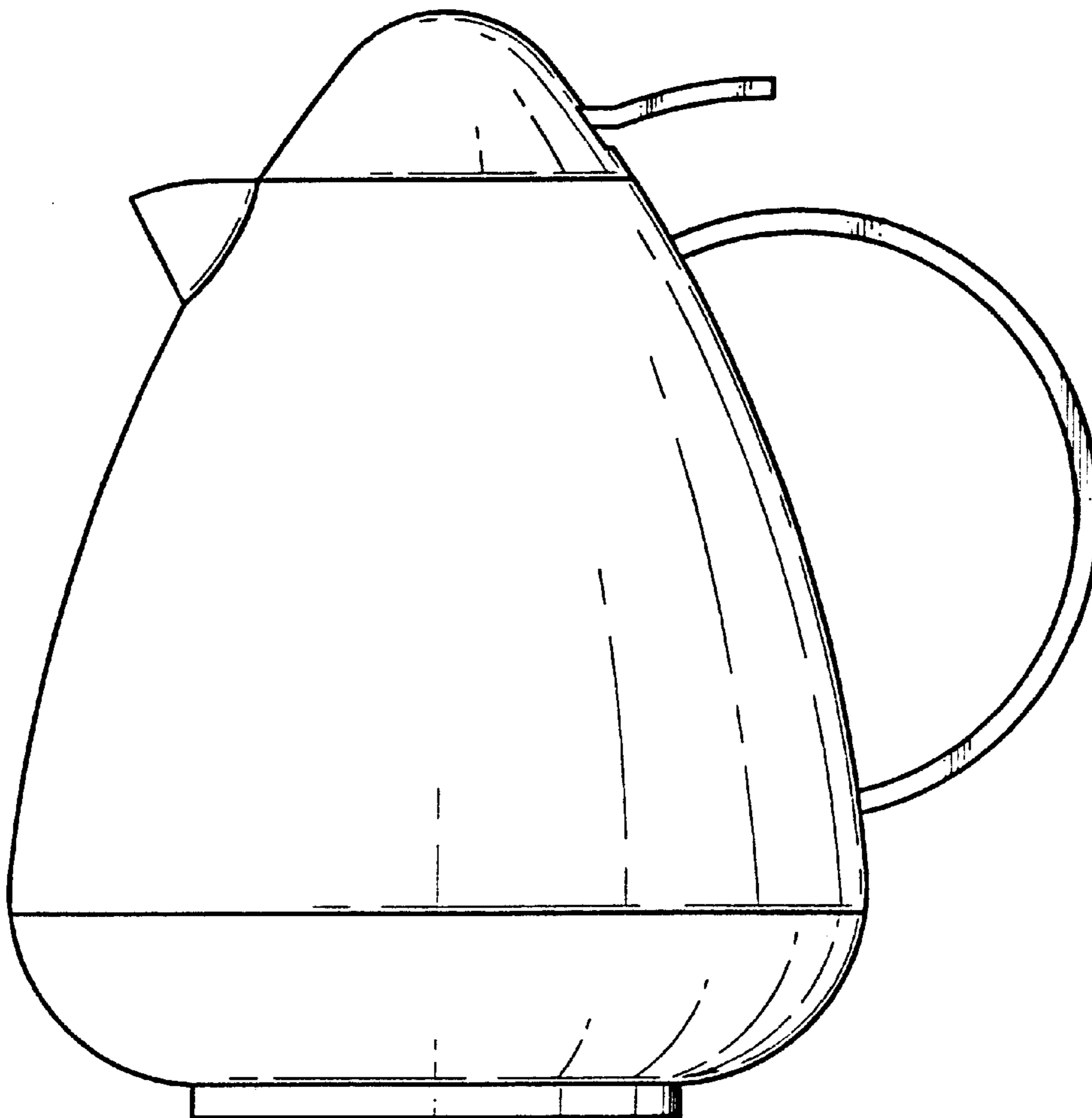




Fig. 1

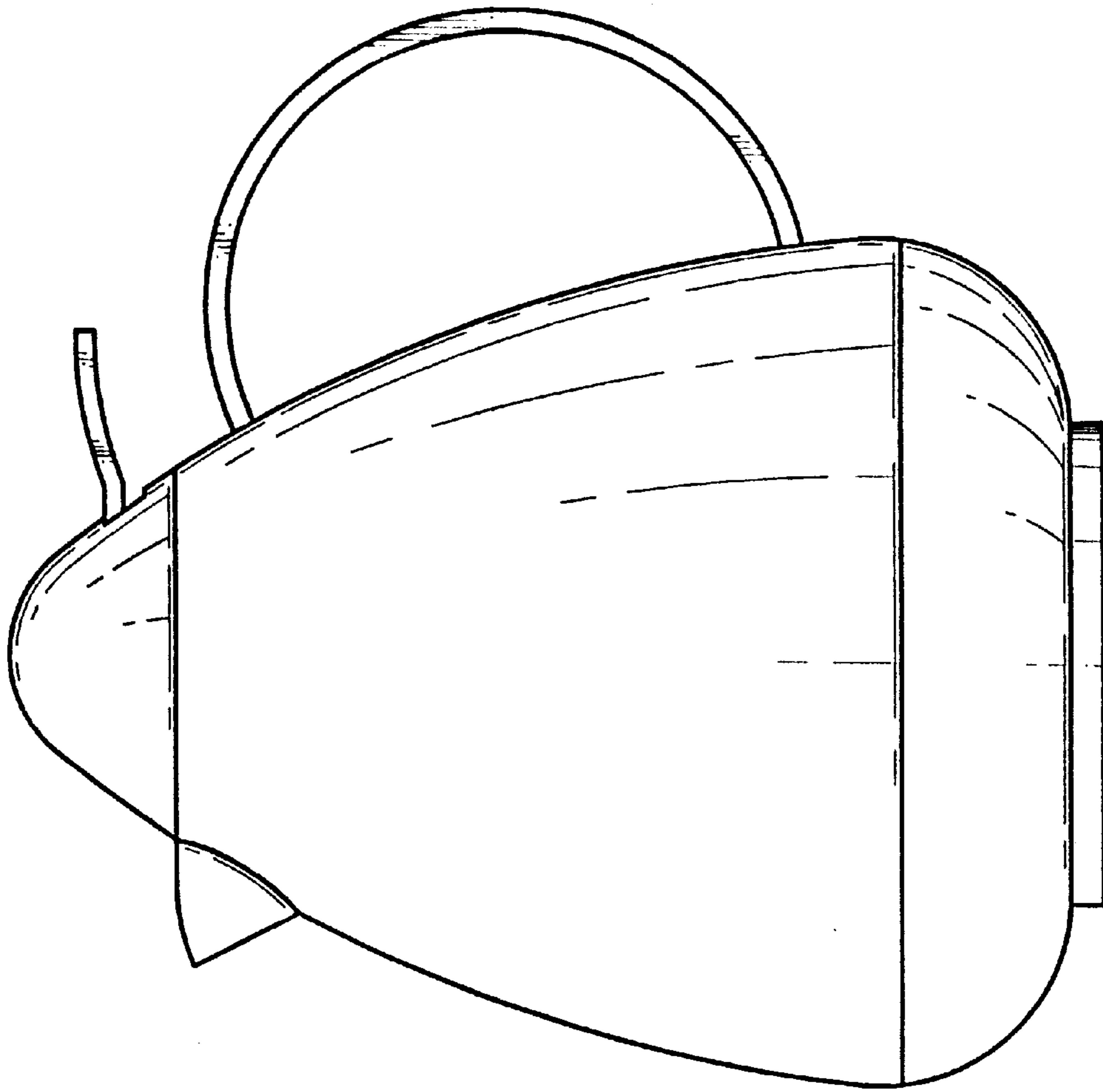


Fig. 2

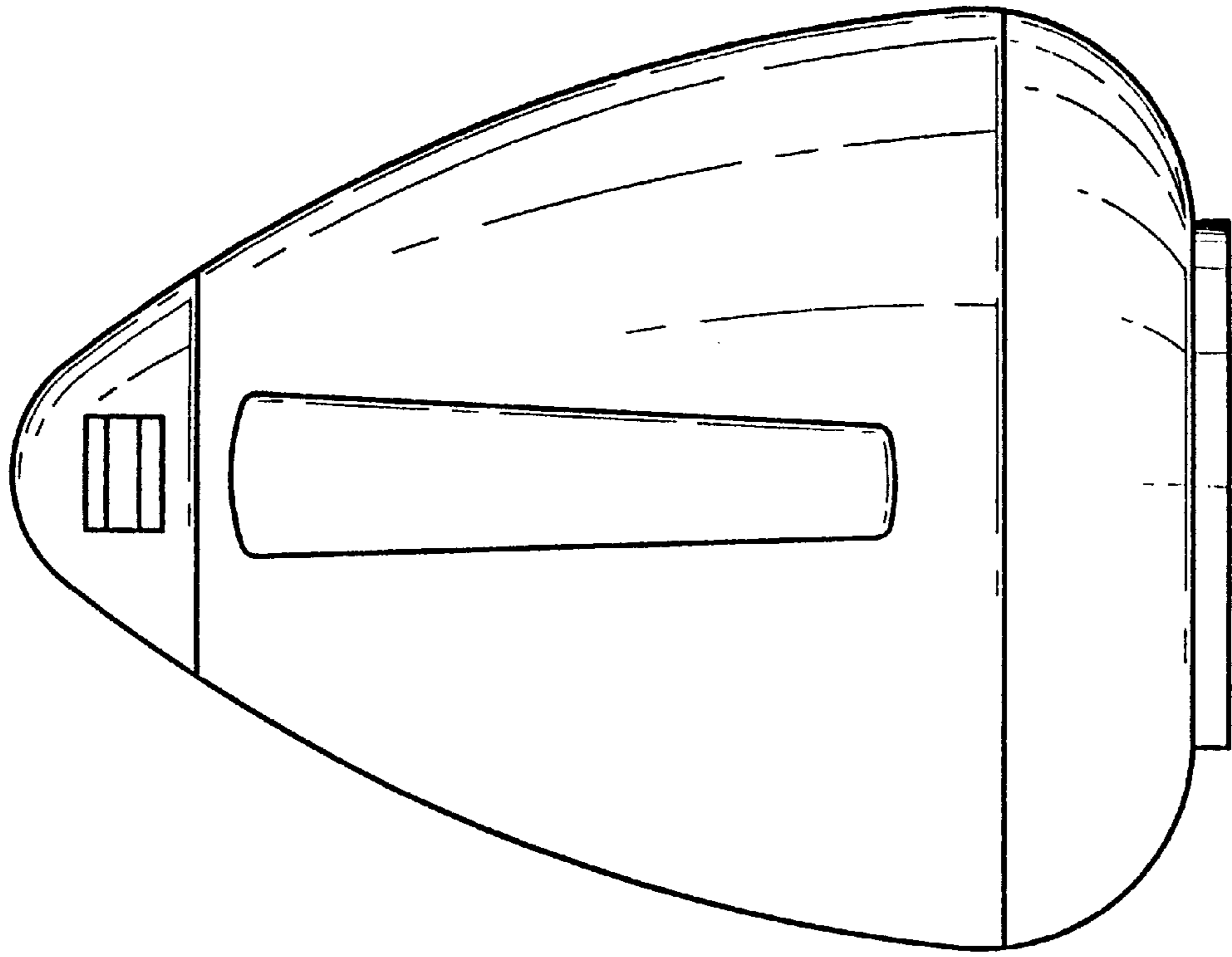


Fig. 4

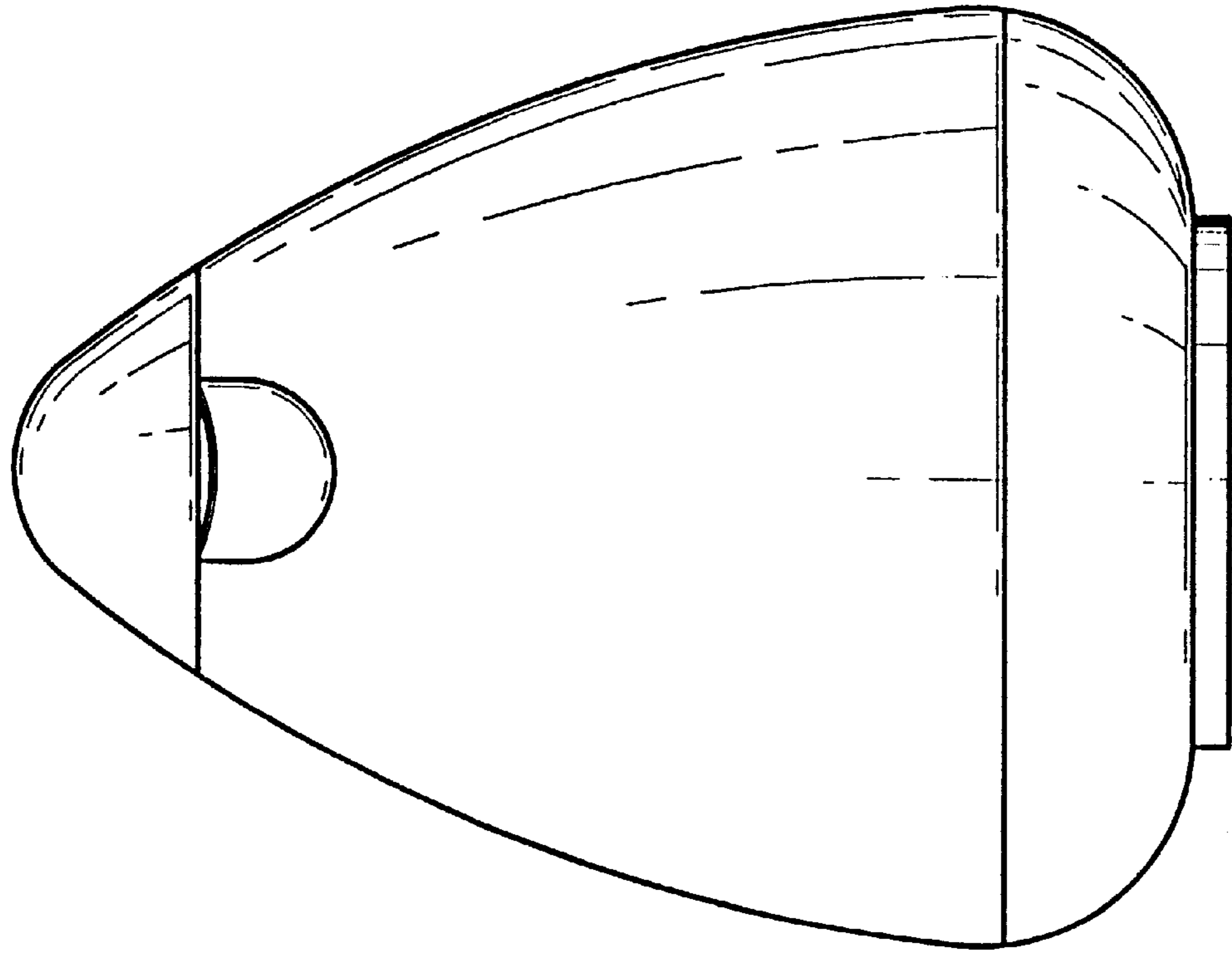


Fig. 3

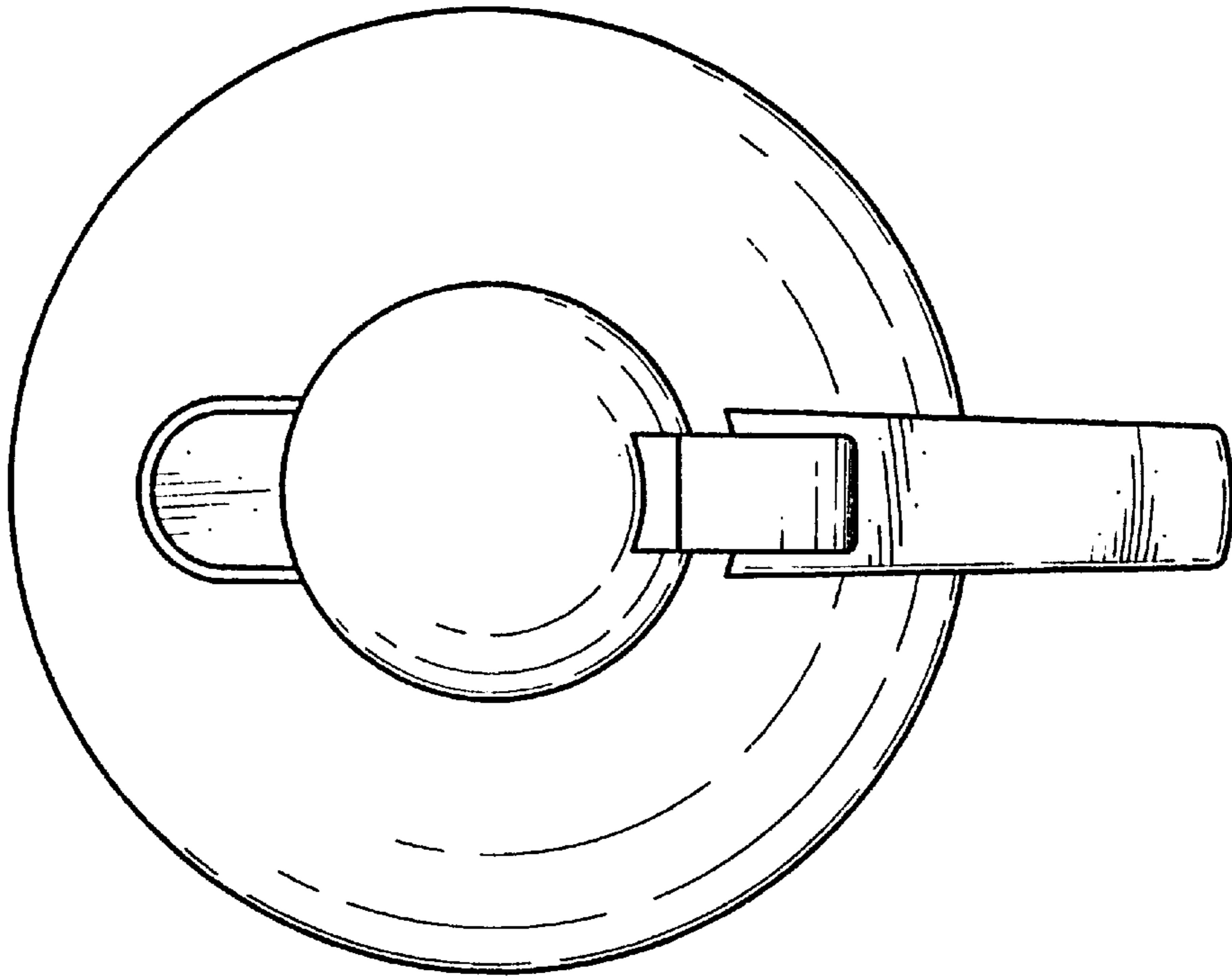


Fig. 5

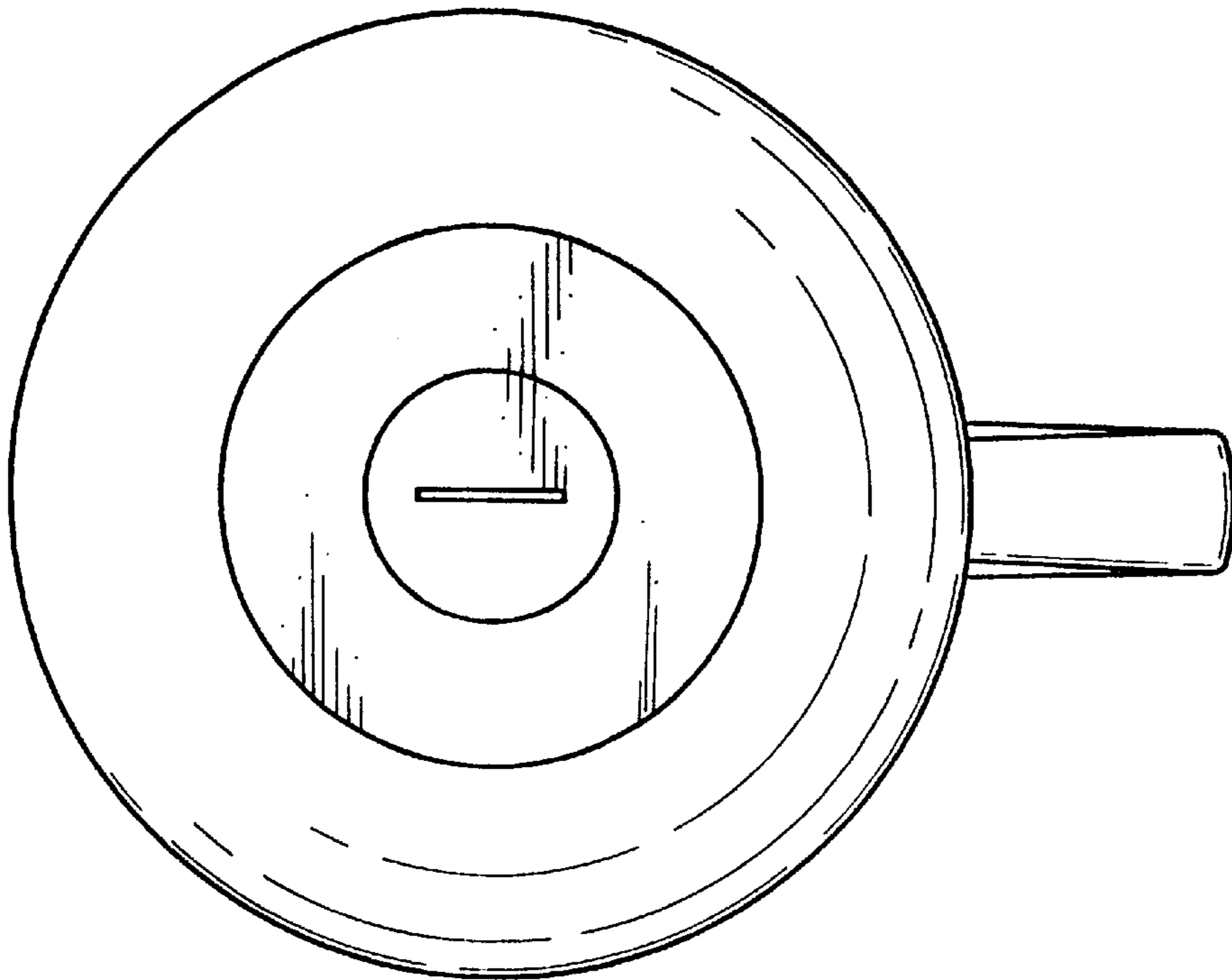


Fig. 6