



US00D420240S

United States Patent [19]

Sorenson et al.

[11] Patent Number: Des. 420,240

[45] Date of Patent: ** Feb. 8, 2000

[54] DVD HOLDER

[76] Inventors: **Kim Sorenson**, P.O. Box 64153, 5512-4th St. NW, Calgary, Alberta, Canada, T2K 6J1; **Tino Solling**, Billedvej #2, DK-2100, Copenhagen O, Denmark

[**] Term: 14 Years

[21] Appl. No.: 29/097,112

[22] Filed: Nov. 27, 1998

[51] LOC (7) Cl. 06-04

[52] U.S. Cl. D6/632; D6/407; D3/201

[58] Field of Search D3/201; D6/407, D6/408, 626-635; 206/232, 307, 308.1, 308.2, 308.3, 309, 310

[56] References Cited

U.S. PATENT DOCUMENTS

D. 187,720	4/1960	ketcham	D6/632
D. 257,080	9/1980	Schmidt	D6/632
D. 260,122	8/1981	Turner	D6/634
D. 318,368	7/1991	Evans	D6/634
D. 347,320	5/1994	Corday	D6/634
D. 347,727	6/1994	Corday	D6/634
D. 347,728	6/1994	Taniyama	D6/634
D. 356,922	4/1995	Corday	D6/632
D. 358,055	5/1995	Long et al.	D6/632
D. 367,579	3/1996	Nilson	D6/632
D. 375,015	10/1996	Kobayashi et al.	D6/632
D. 391,437	3/1998	Moore et al.	D6/634
D. 406,719	3/1999	Clausen	D6/634
D. 407,592	4/1999	Burdett et al.	D6/632
5,297,672	3/1994	MacTavish	206/308.2

5,366,073	11/1994	Turrentine et al.	206/309
5,377,825	1/1995	sykes et al.	206/232
5,462,158	10/1995	Kramer	206/307
5,653,335	8/1997	Bauer et al.	206/307.1
5,697,498	12/1997	Weisburn et al.	206/308.1
5,769,217	6/1998	Derraugh et al.	206/308.1
5,772,018	6/1998	Walch	206/308.1

FOREIGN PATENT DOCUMENTS

WO 96/14636 5/1996 WIPO .

Primary Examiner—Celia Murphy
Attorney, Agent, or Firm—A. Battison; M. Thrift

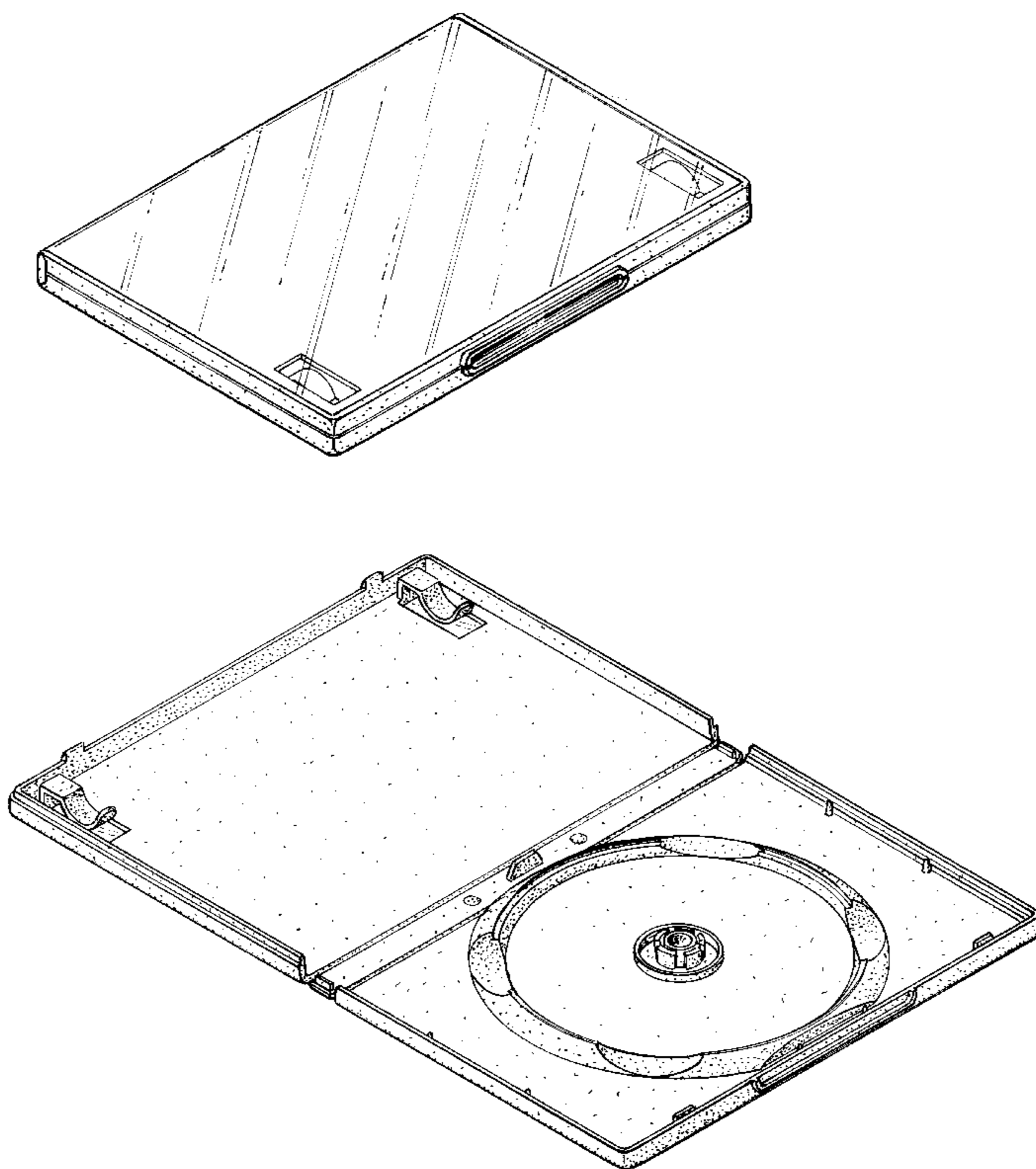
[57] CLAIM

The ornamental design for a digital video disk holder, as shown.

DESCRIPTION

FIG. 1 is a perspective view of a digital video disk holder showing my new design;
 FIG. 2 is a left side elevational view thereof;
 FIG. 3 is a front elevational view thereof;
 FIG. 4 is a rear elevational view thereof;
 FIG. 5 is a top plan view thereof;
 FIG. 6 is a bottom plan view thereof;
 FIG. 7 is a perspective view thereof shown in an open position;
 FIG. 8 is a top plan view of FIG. 7;
 FIG. 9 is a front elevational view of FIG. 7;
 FIG. 10 is a rear elevational view of FIG. 7;
 FIG. 11 is a right side elevational view of FIG. 7;
 FIG. 12 is a left side elevational view of FIG. 7; and,
 FIG. 13 is a bottom plan view of FIG. 7.

1 Claim, 6 Drawing Sheets



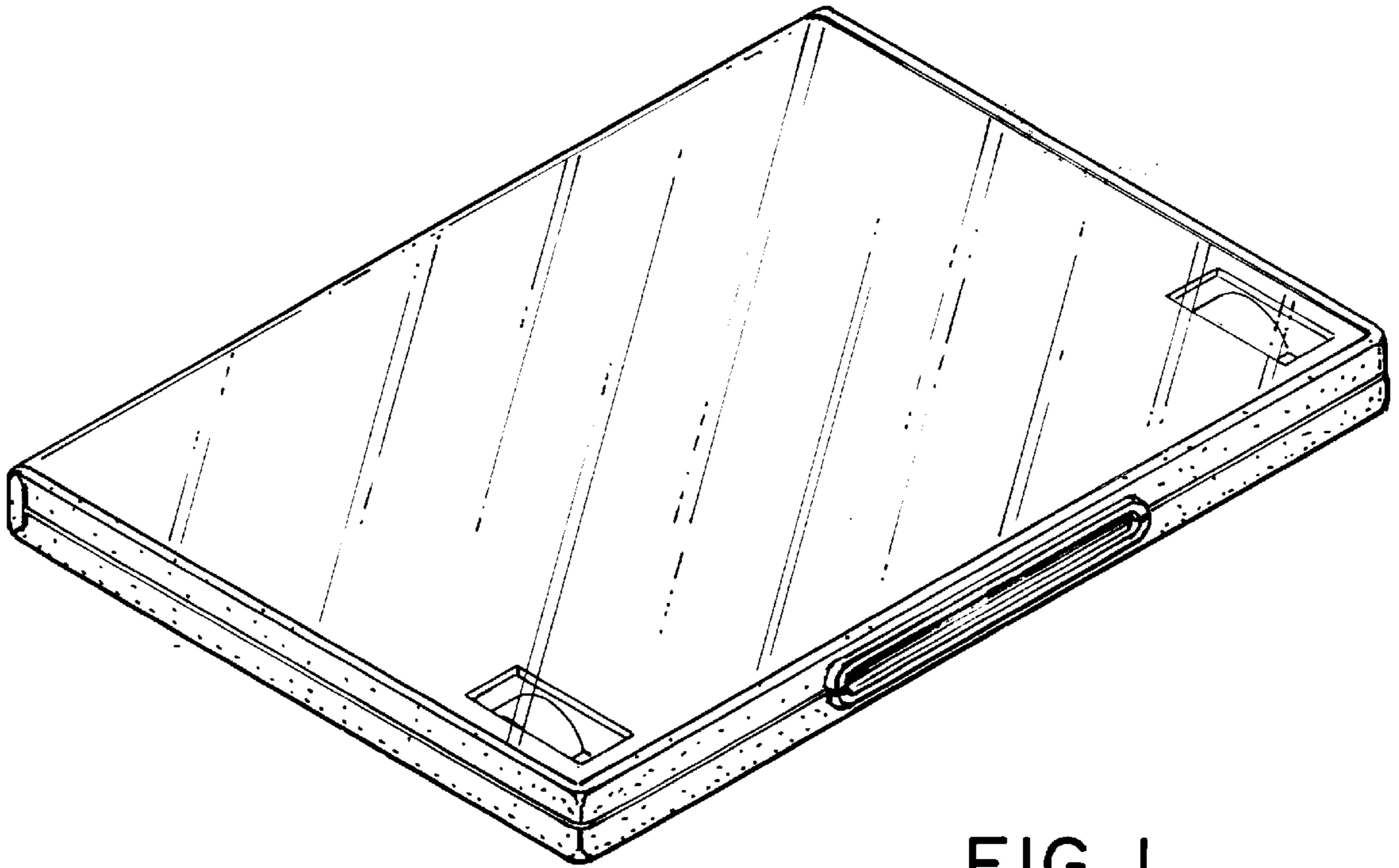


FIG. 1

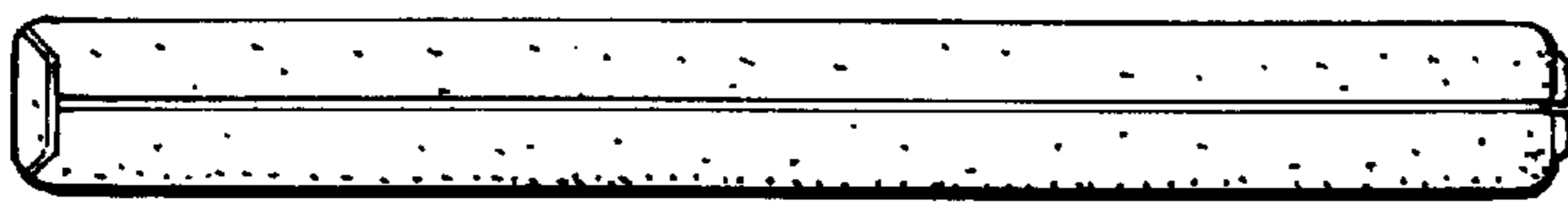


FIG. 2

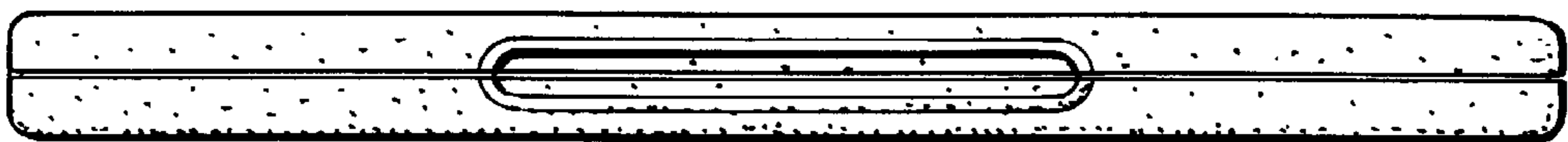


FIG. 3

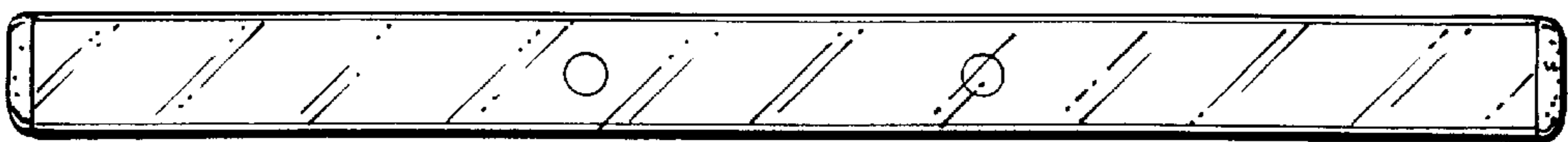


FIG. 4

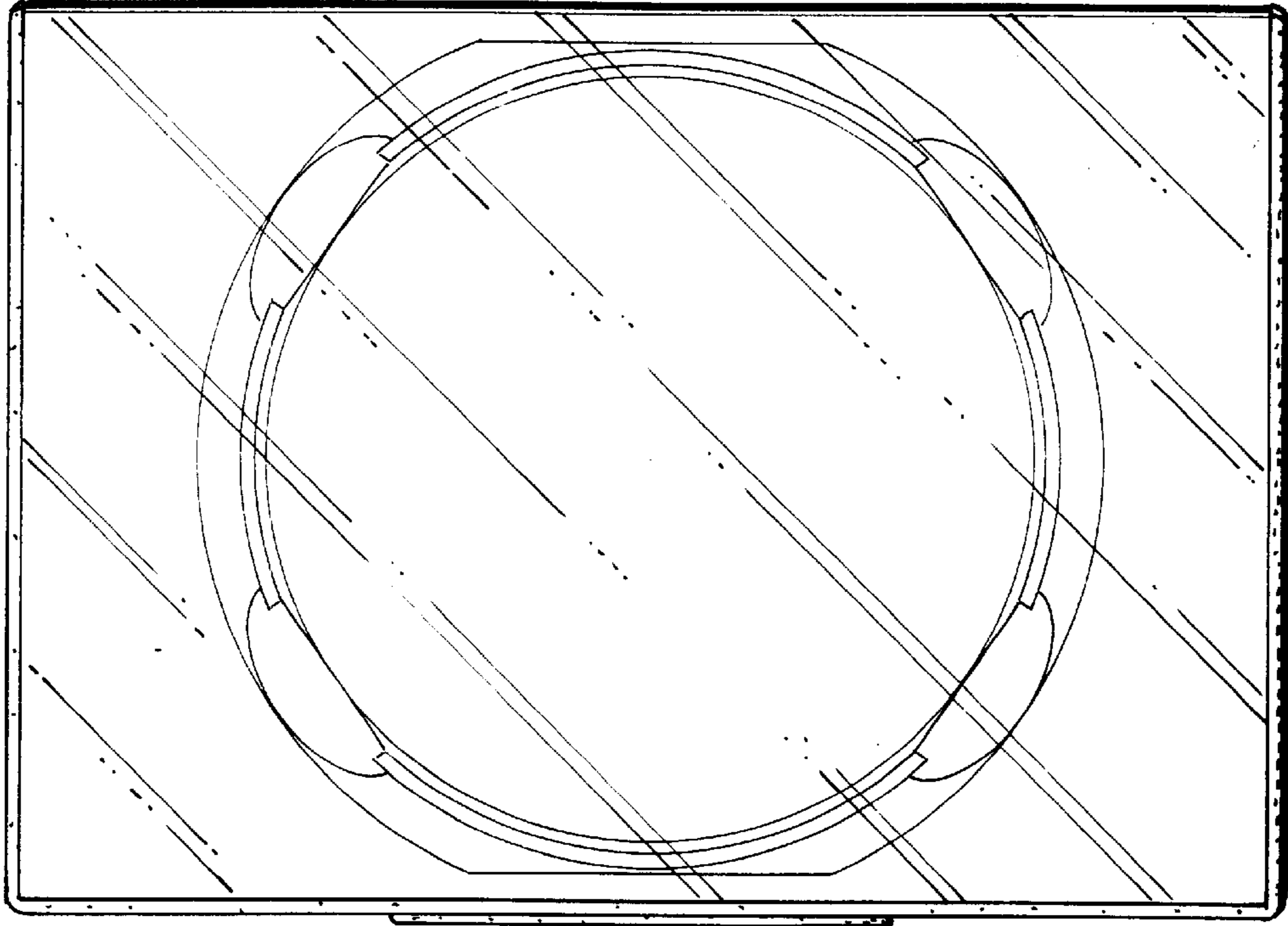


FIG. 5

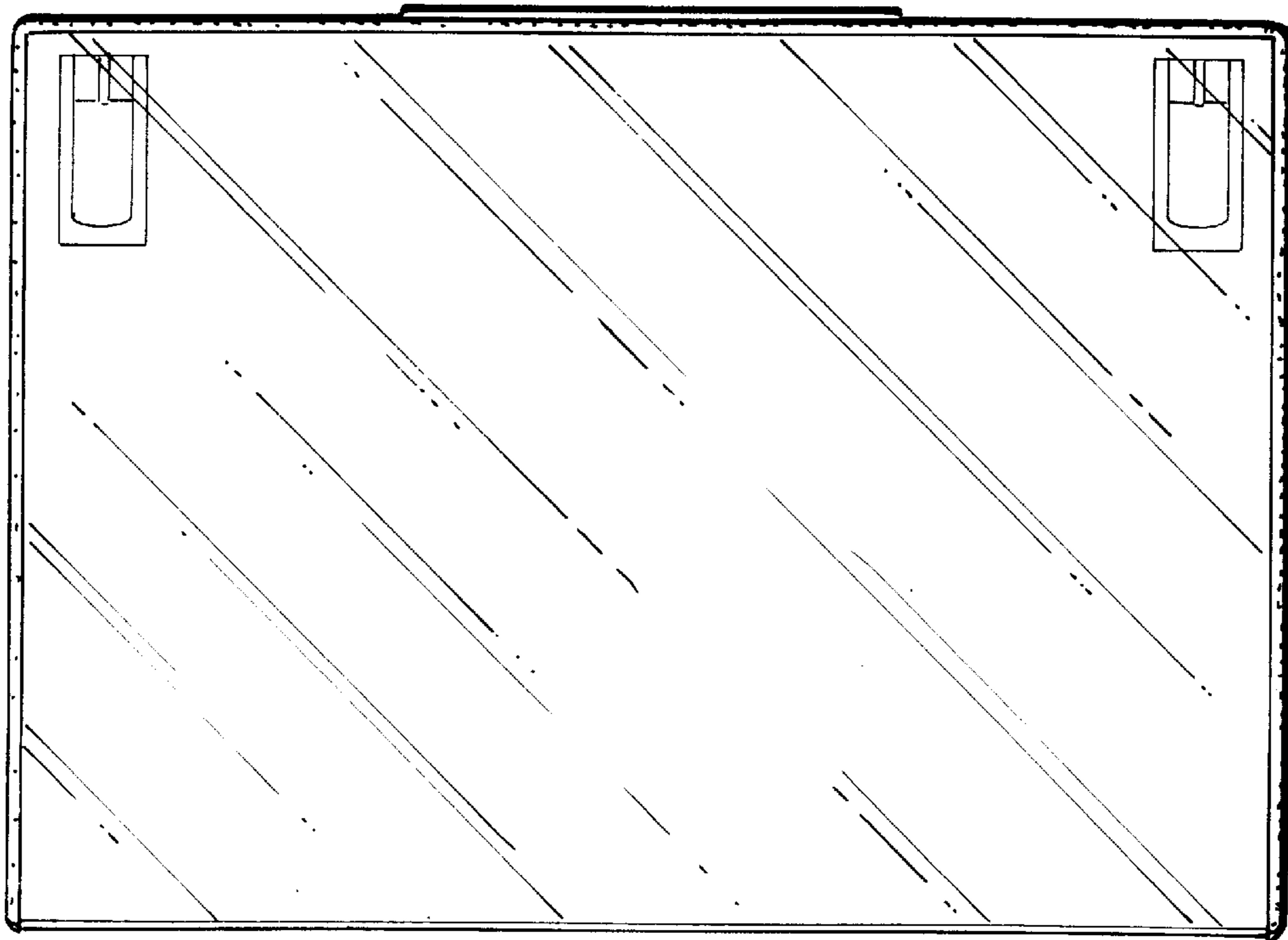


FIG. 6

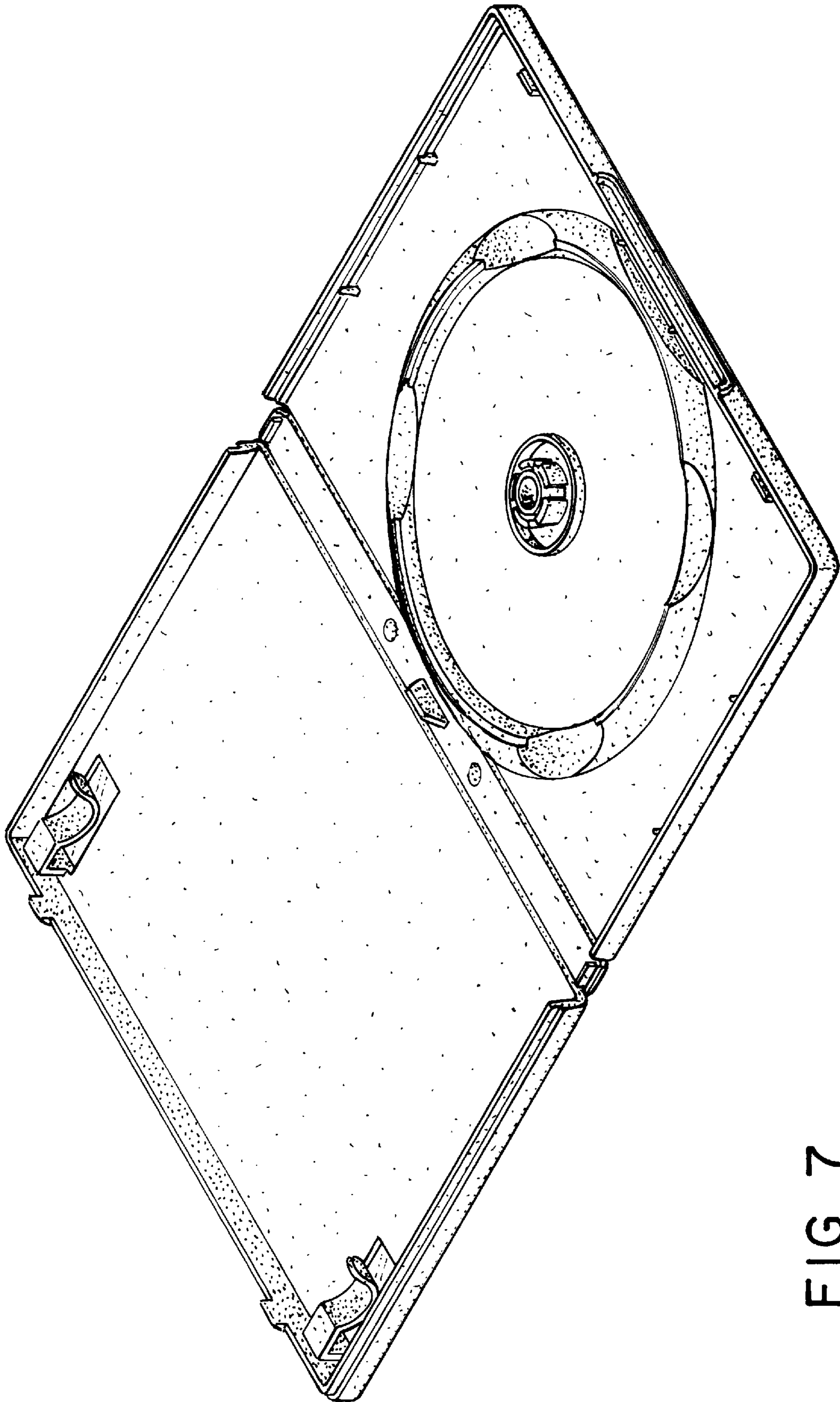


FIG. 7

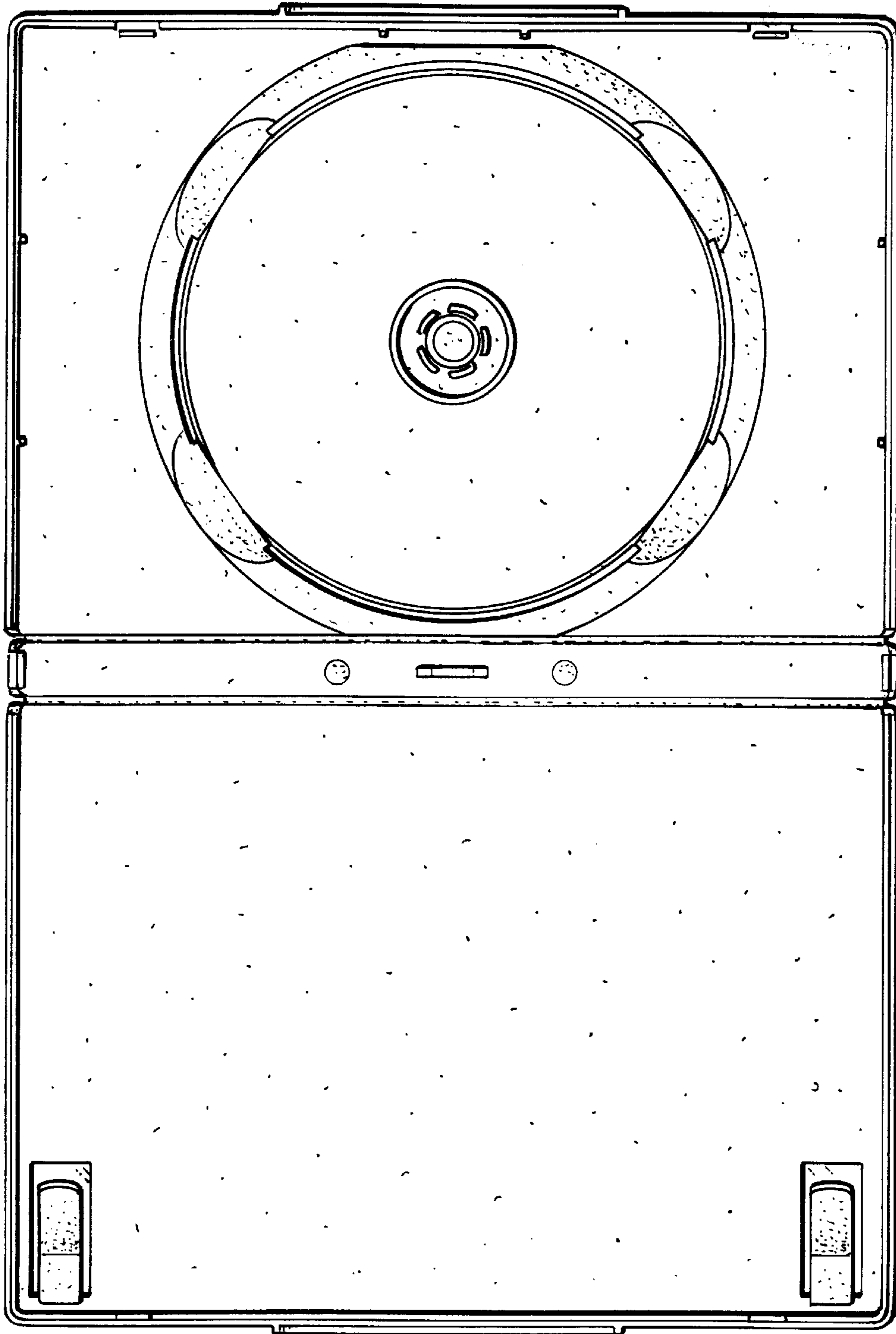


FIG. 8



FIG. 9

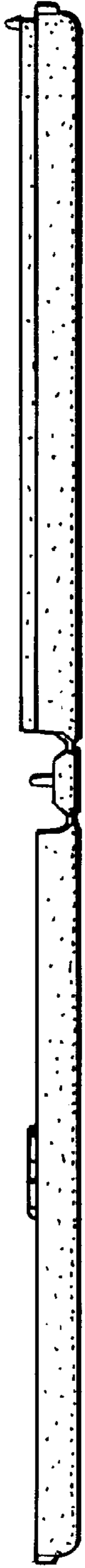


FIG. 10



FIG. 11

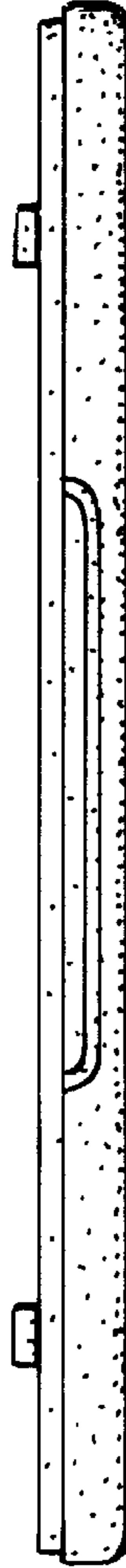


FIG. 12

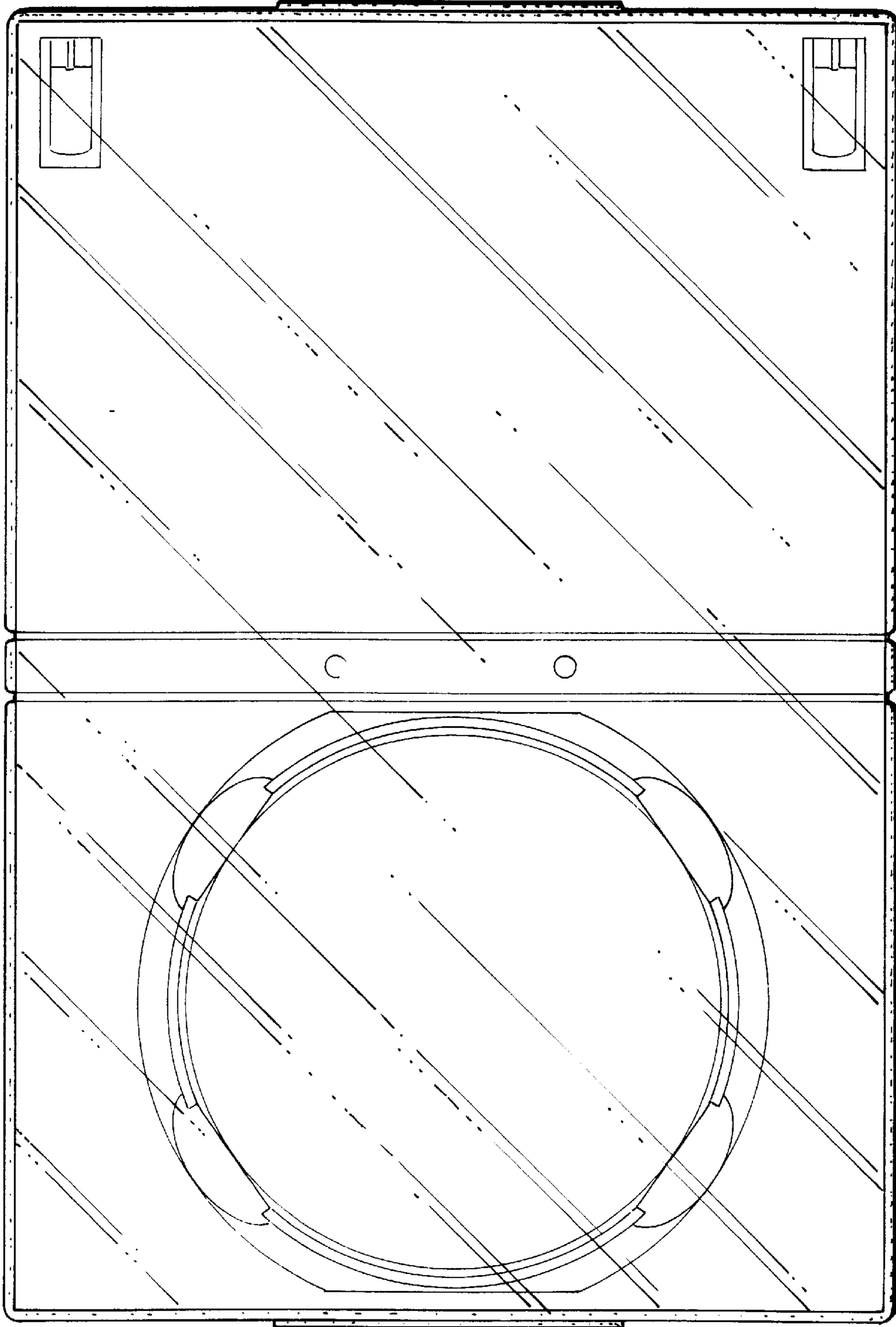


FIG. 13