



US00D420236S

# United States Patent [19]

Parkes et al.

[11] **Patent Number: Des. 420,236**

[45] **Date of Patent: \*\* Feb. 8, 2000**

[54] **TISSUE DISPENSER FOR AN AUTOMOBILE CUP HOLDER**

[75] Inventors: **Timothy H. Parkes**, Ooltewah, Tenn.;  
**Arnold King**, Spring Valley, N.Y.

[73] Assignee: **Remington Industries, Inc.**, Benton, Tenn.

[\*\*] Term: **14 Years**

[21] Appl. No.: **29/089,698**

[22] Filed: **Jun. 18, 1998**

[51] **LOC (7) Cl.** ..... **06-02**

[52] **U.S. Cl.** ..... **D6/515**

[58] **Field of Search** ..... D6/518-523; 312/34.1,  
312/34.8; 242/570, 600, 601; 206/228,  
389

## [56] **References Cited**

### U.S. PATENT DOCUMENTS

D. 389,683 1/1998 Herrera ..... D6/522

*Primary Examiner*—Marcus A. Jackson  
*Attorney, Agent, or Firm*—Kent R. Moore

## [57] **CLAIM**

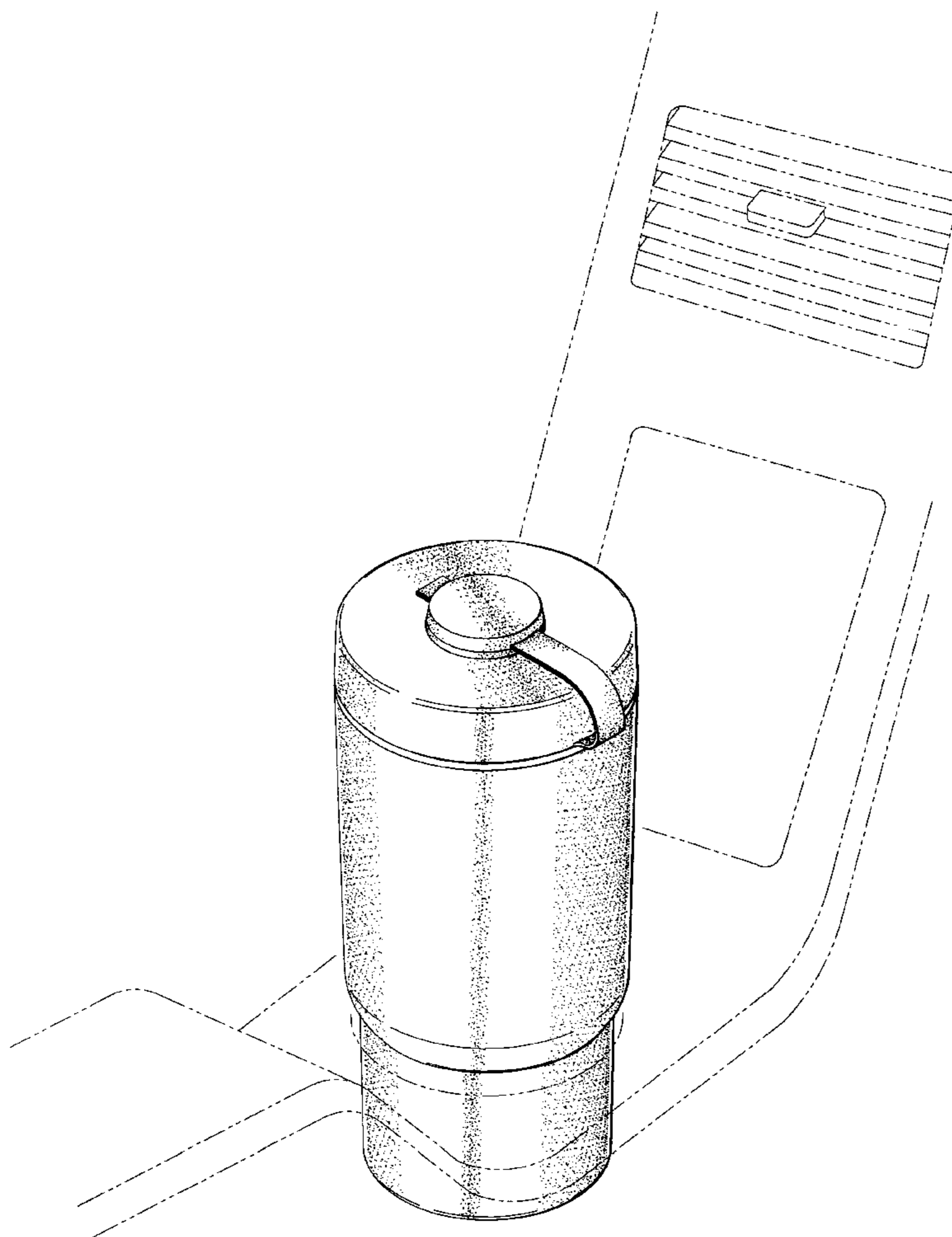
The ornamental design for a tissue dispenser for an automobile cup holder, as shown and described.

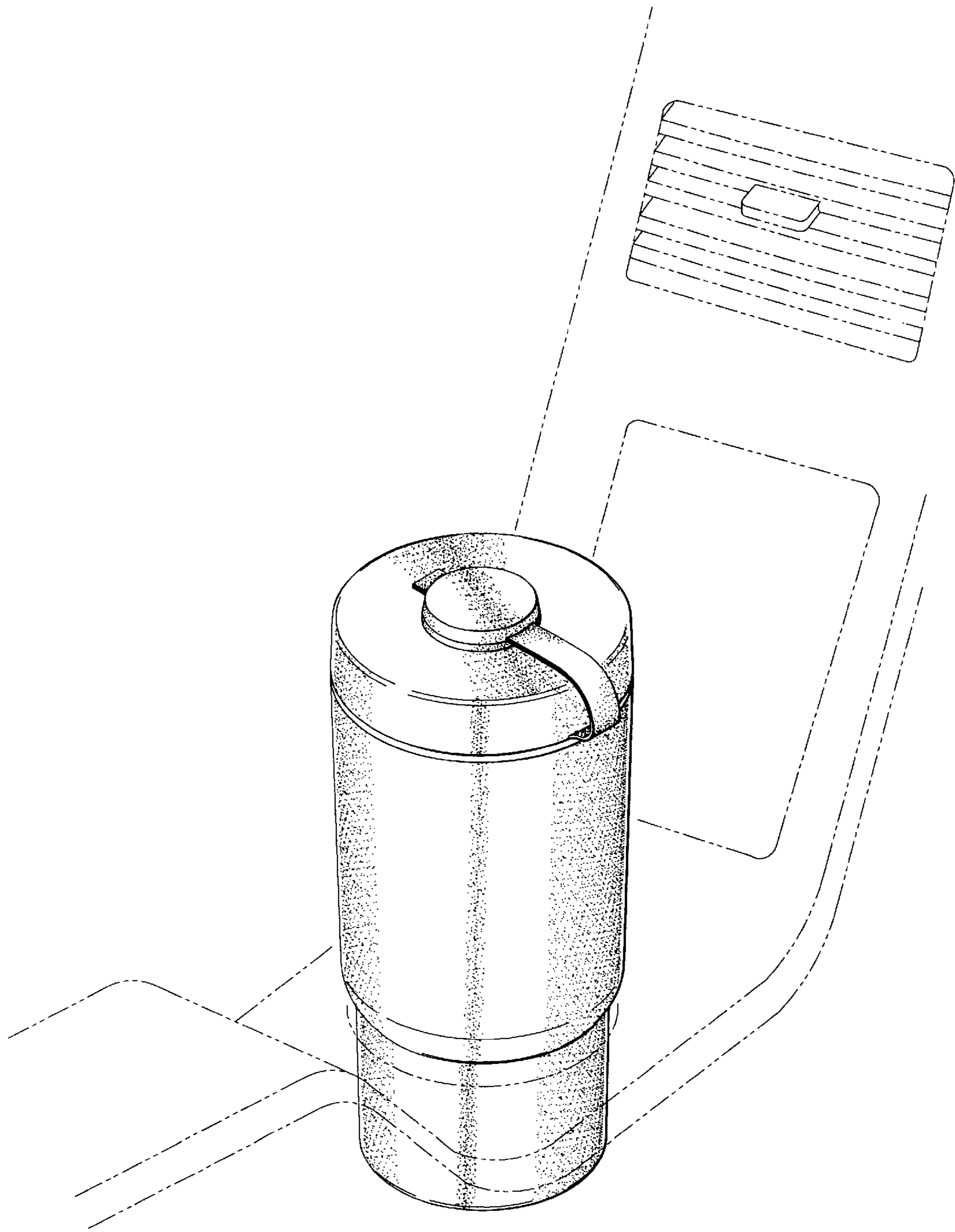
## **DESCRIPTION**

FIG. 1 is a perspective view of a tissue dispenser for an automobile cup holder showing our new design; FIG. 2 is an additional perspective view of the tissue dispenser for an automobile cup holder shown in FIG. 1 with the environmental structure removed therefrom; FIG. 3 is a front view of the tissue dispenser for an automobile cup holder shown in FIG. 2, the rear view being a mirror image thereof; FIG. 4 is a right-side view thereof; FIG. 5 is a left-side view thereof; FIG. 6 is a top view thereof; and, FIG. 7 is a bottom view thereof.

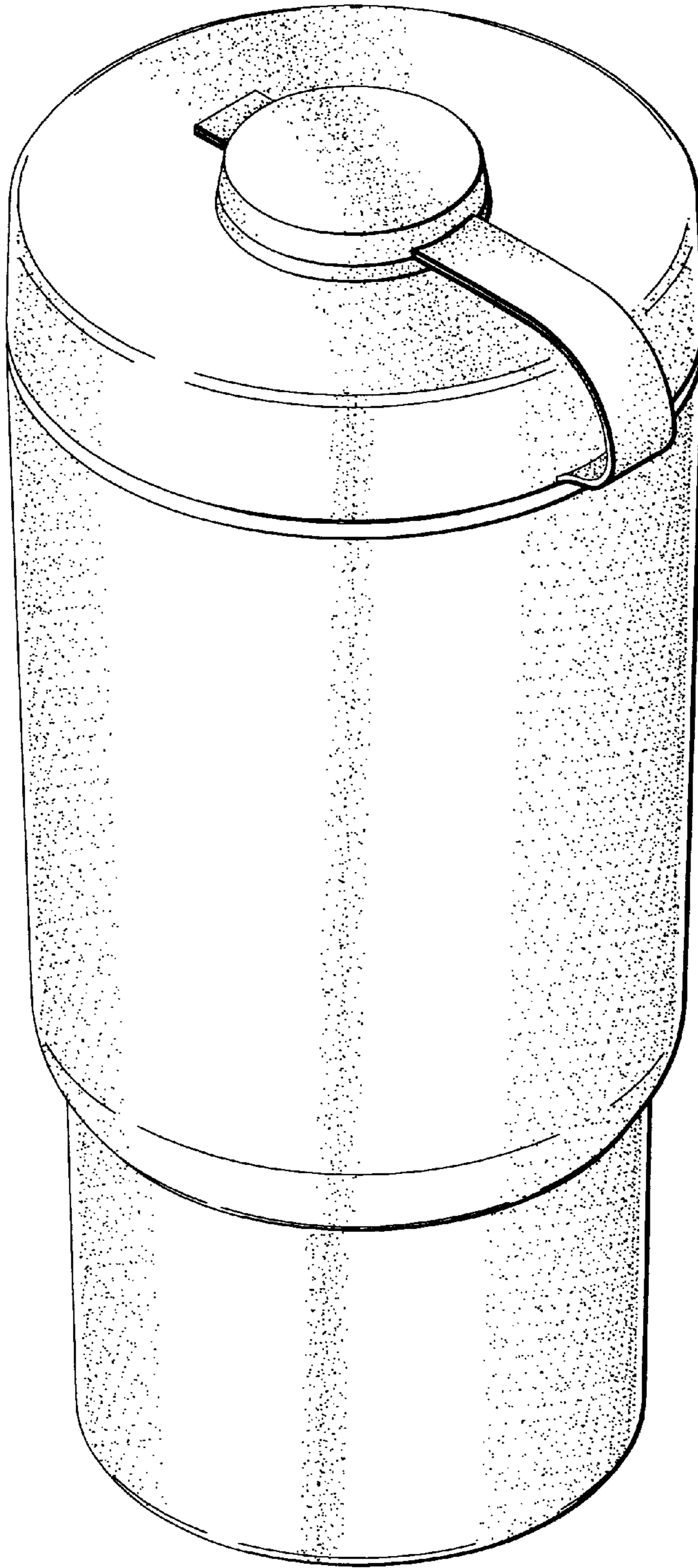
The broken lines in FIG. 1 are illustrative of environmental structure only and form no part of the claimed design.

**1 Claim, 6 Drawing Sheets**

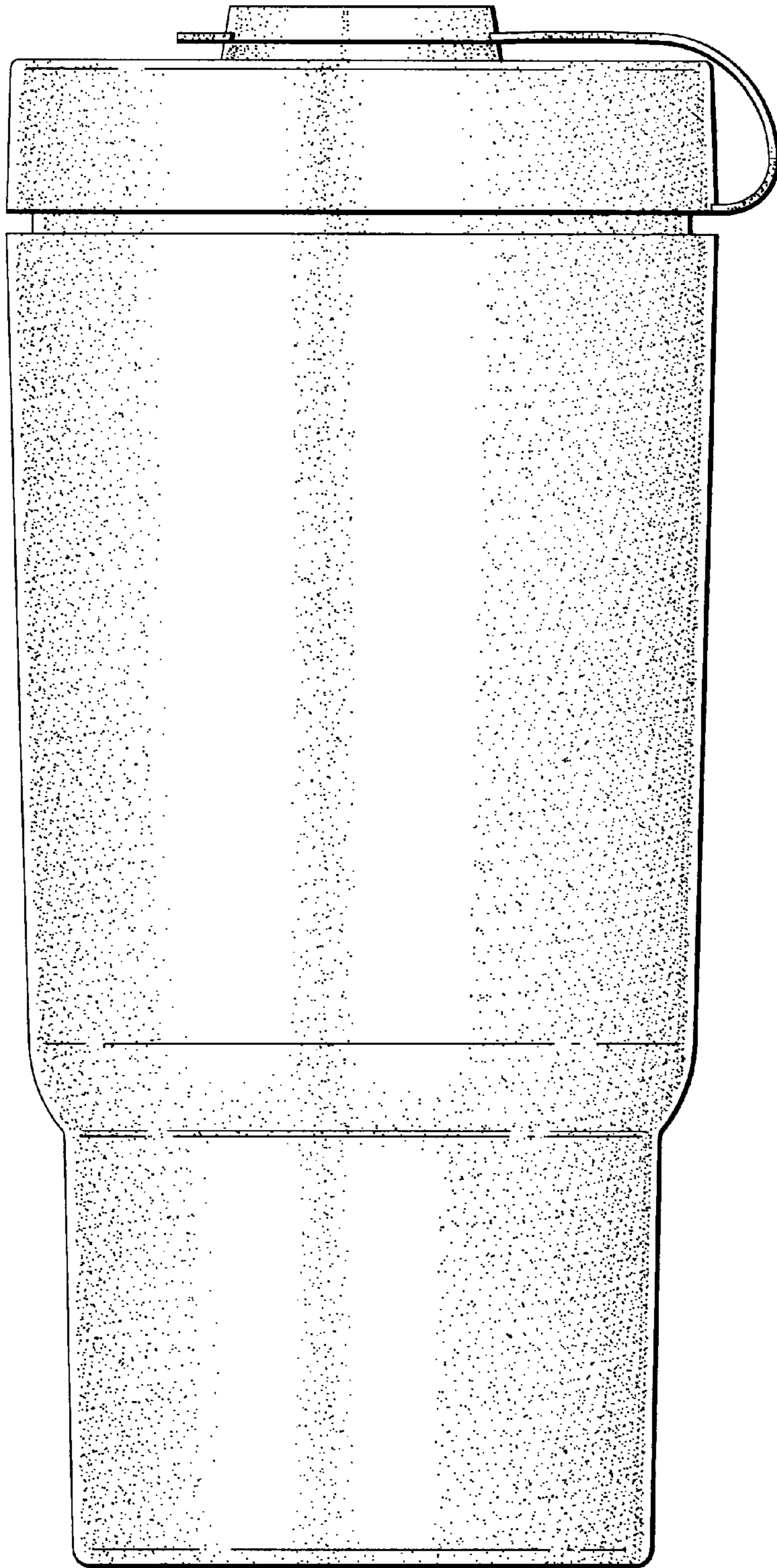




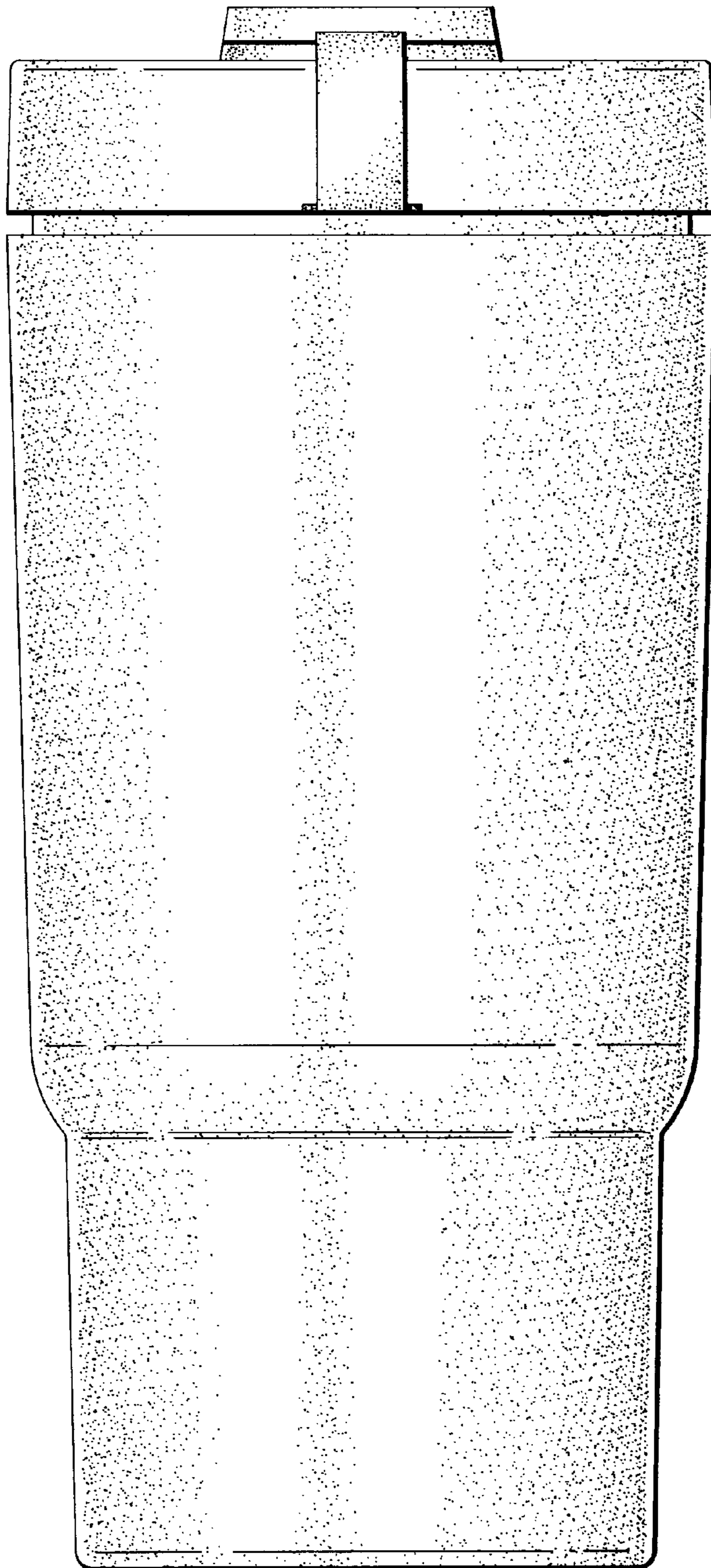
**FIG 1**



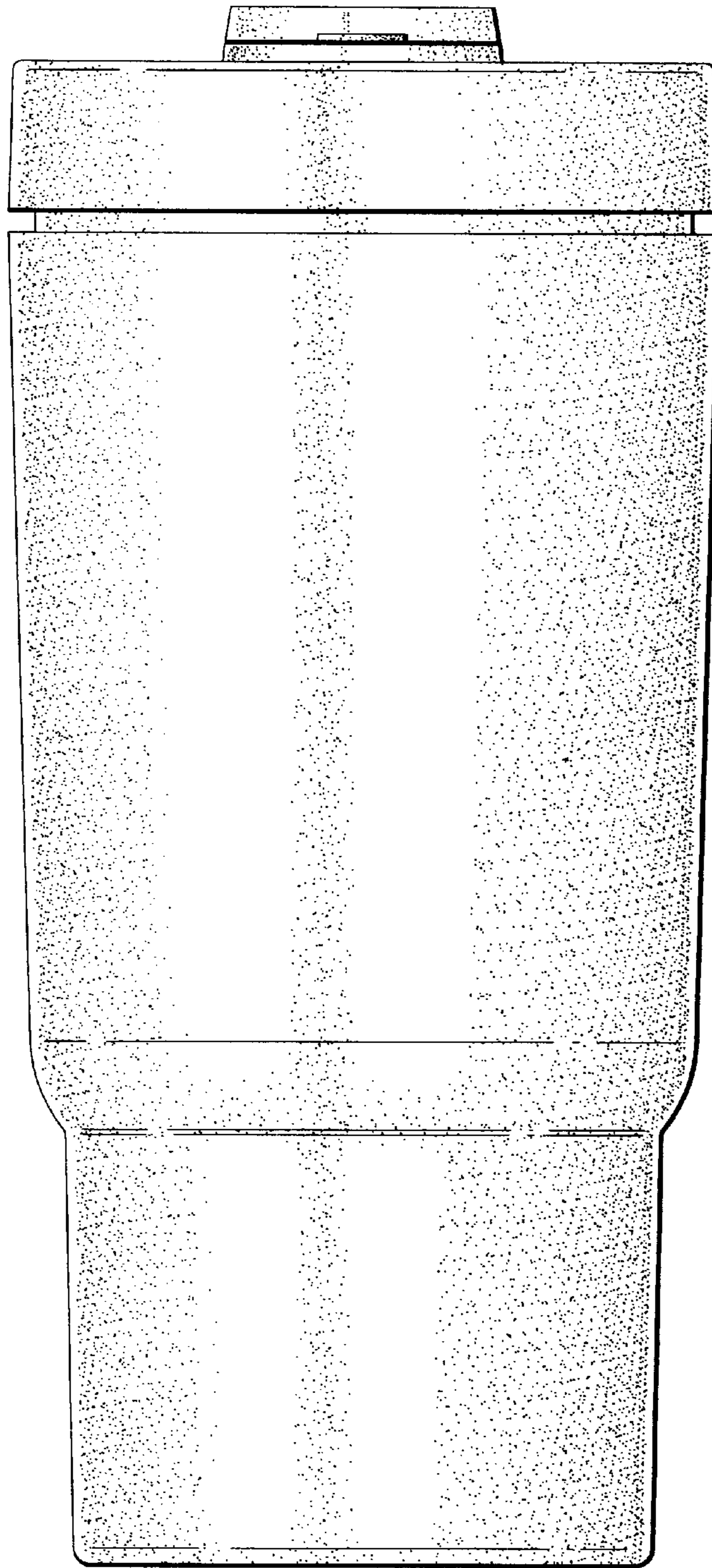
**FIG 2**



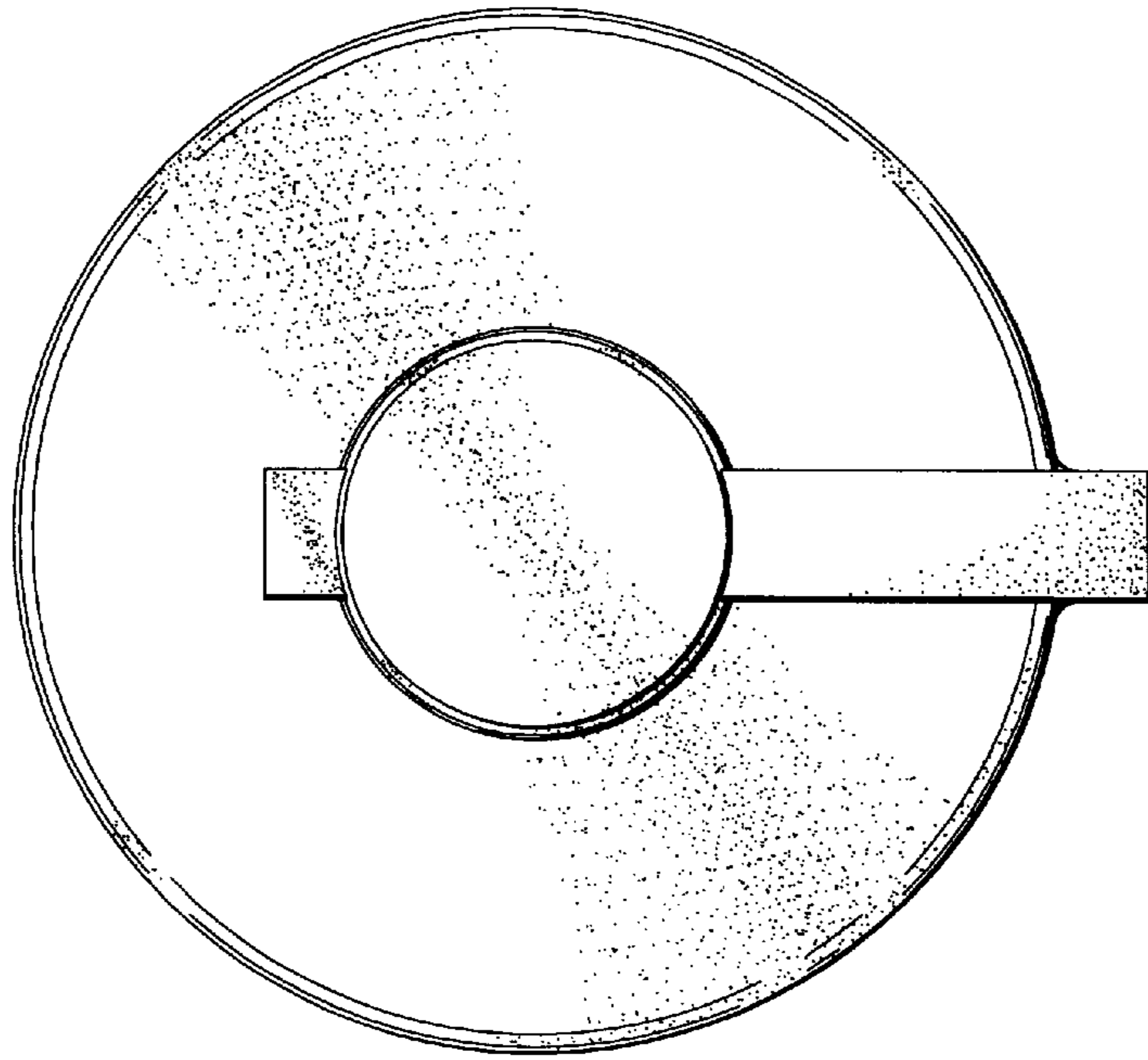
**FIG 3**



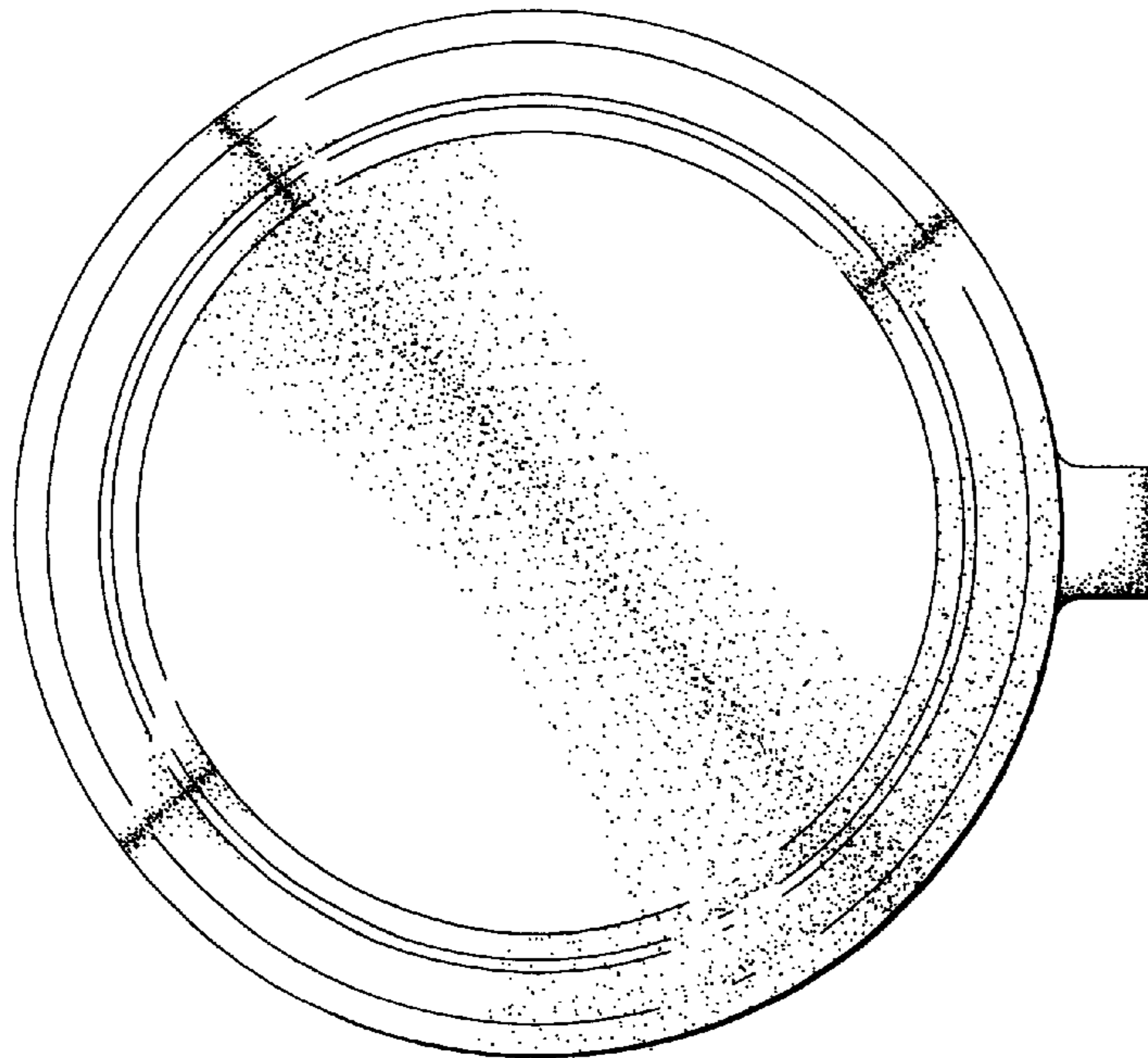
**FIG 4**



**FIG 5**



**FIG 6**



**FIG 7**