



US00D420235S

United States Patent [19]
Cordero

[11] **Patent Number: Des. 420,235**
[45] **Date of Patent: ** Feb. 8, 2000**

[54] **PLASTIC BAG HOLDER**

4,881,706 11/1989 Sedlik 248/99
5,005,791 4/1991 Lanzen 248/99

[76] Inventor: **Ramon Cordero**, 544 Greenbrier Dr.
#13, Oceanside, Calif. 92054

Primary Examiner—Kay H. Chin

[**] Term: **14 Years**

[57] **CLAIM**

[21] Appl. No.: **29/086,969**

The ornamental design for a plastic bag holder, as shown.

[22] Filed: **Apr. 23, 1998**

DESCRIPTION

[51] **LOC (7) Cl.** **08-08**

FIG. 1 is a front elevational view of a plastic bag holder showing my new design;

[52] **U.S. Cl.** **D6/512; D34/6; D8/373**

FIG. 2 is a back elevational view thereof;

[58] **Field of Search** D6/512, 567, 572,
D6/574, 555, 553; D34/1, 5, 6; 248/95-101;
D8/373, 380, 381

FIG. 3 is a left side elevational view thereof;

FIG. 4 is a right side elevational view thereof;

FIG. 5 is a top plan view thereof; and,

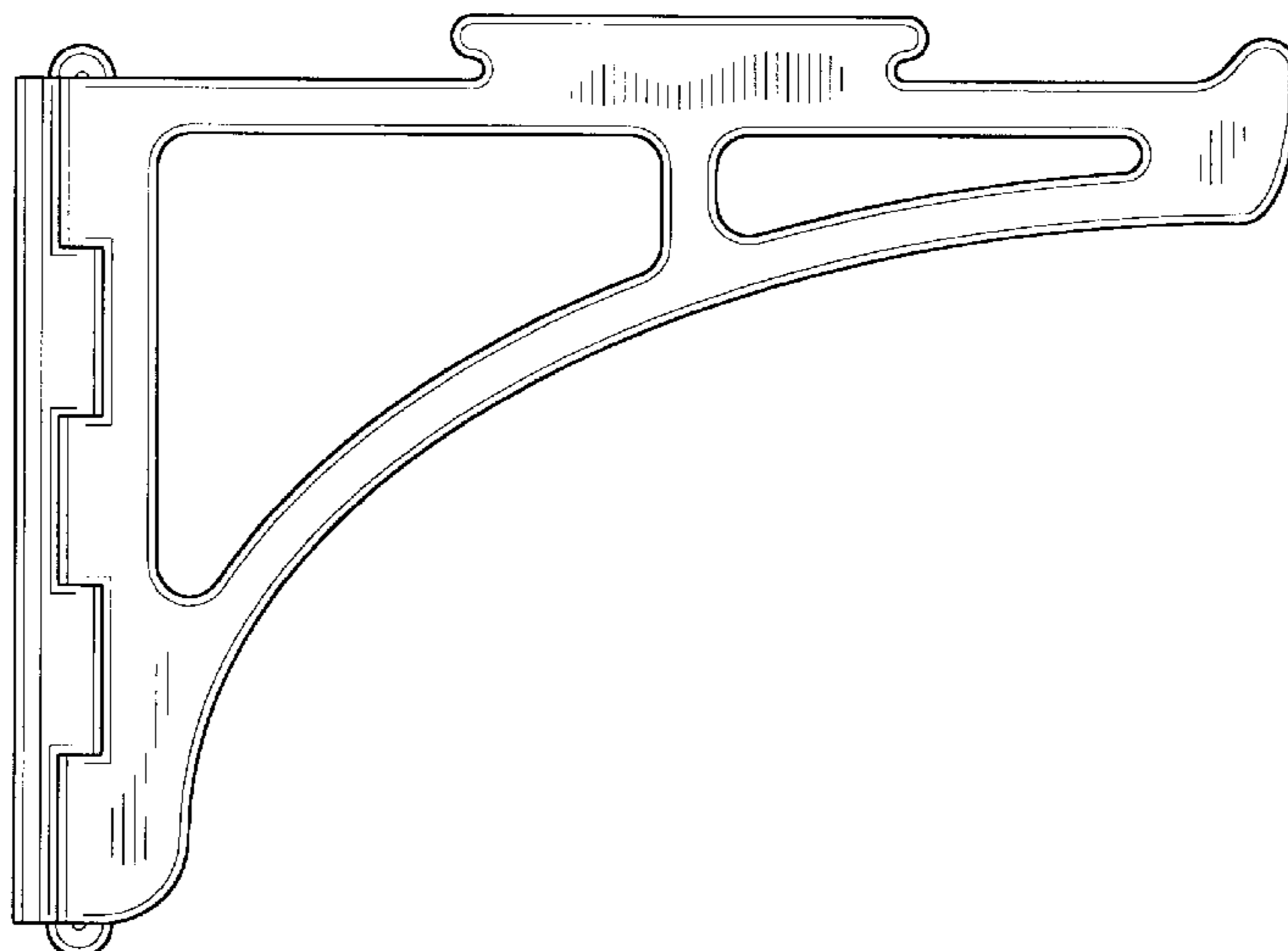
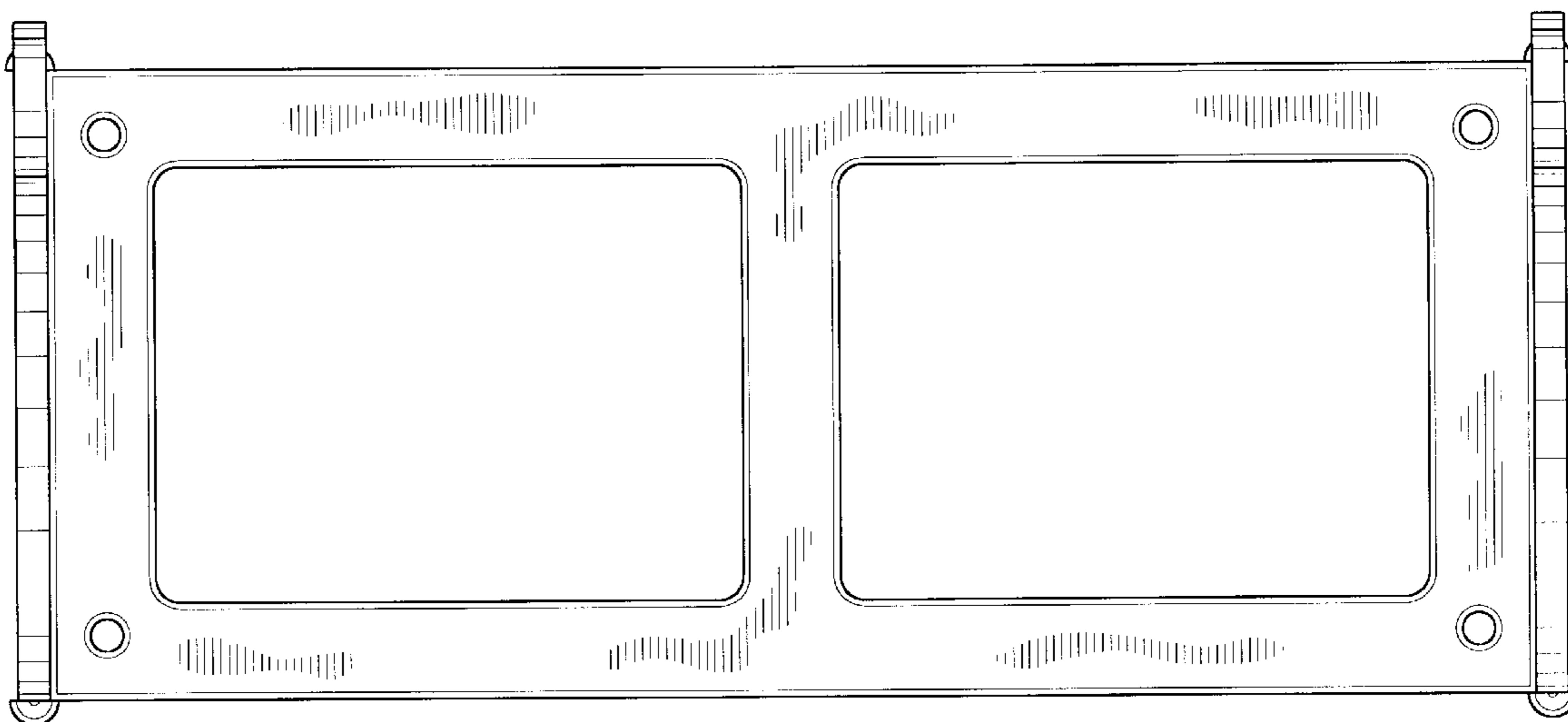
FIG. 6 is a bottom plan view thereof.

[56] **References Cited**

U.S. PATENT DOCUMENTS

4,858,862 8/1989 Prader 248/99

1 Claim, 3 Drawing Sheets



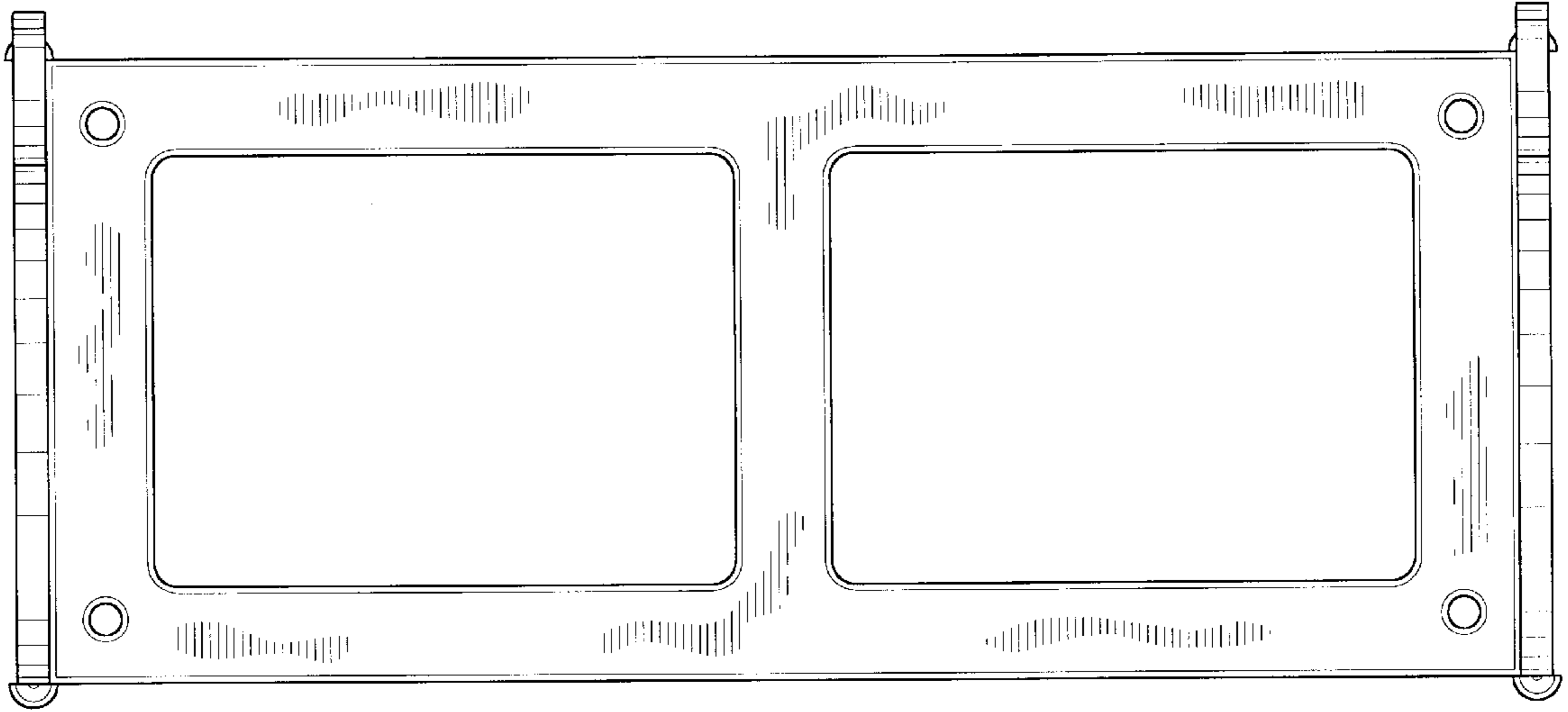


Fig. 1

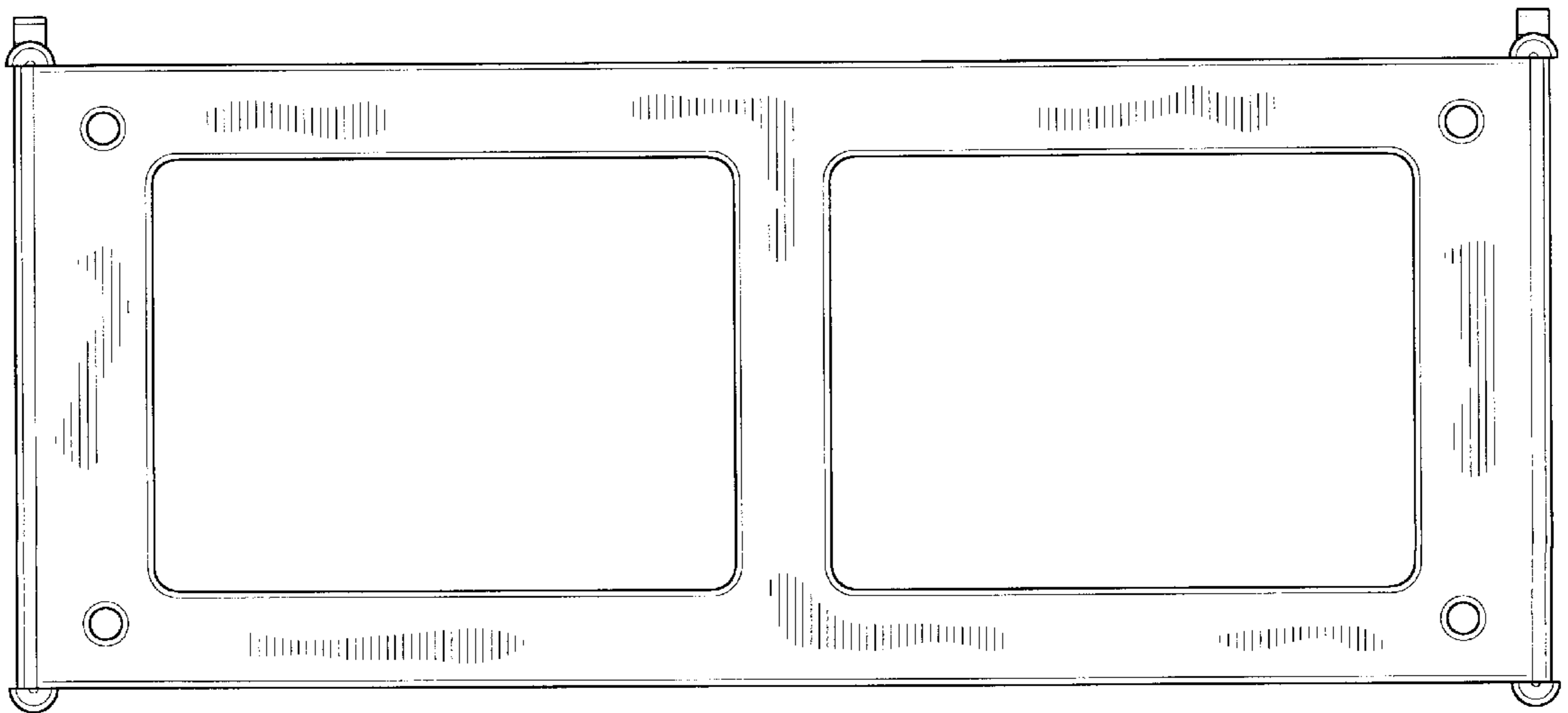


Fig. 2

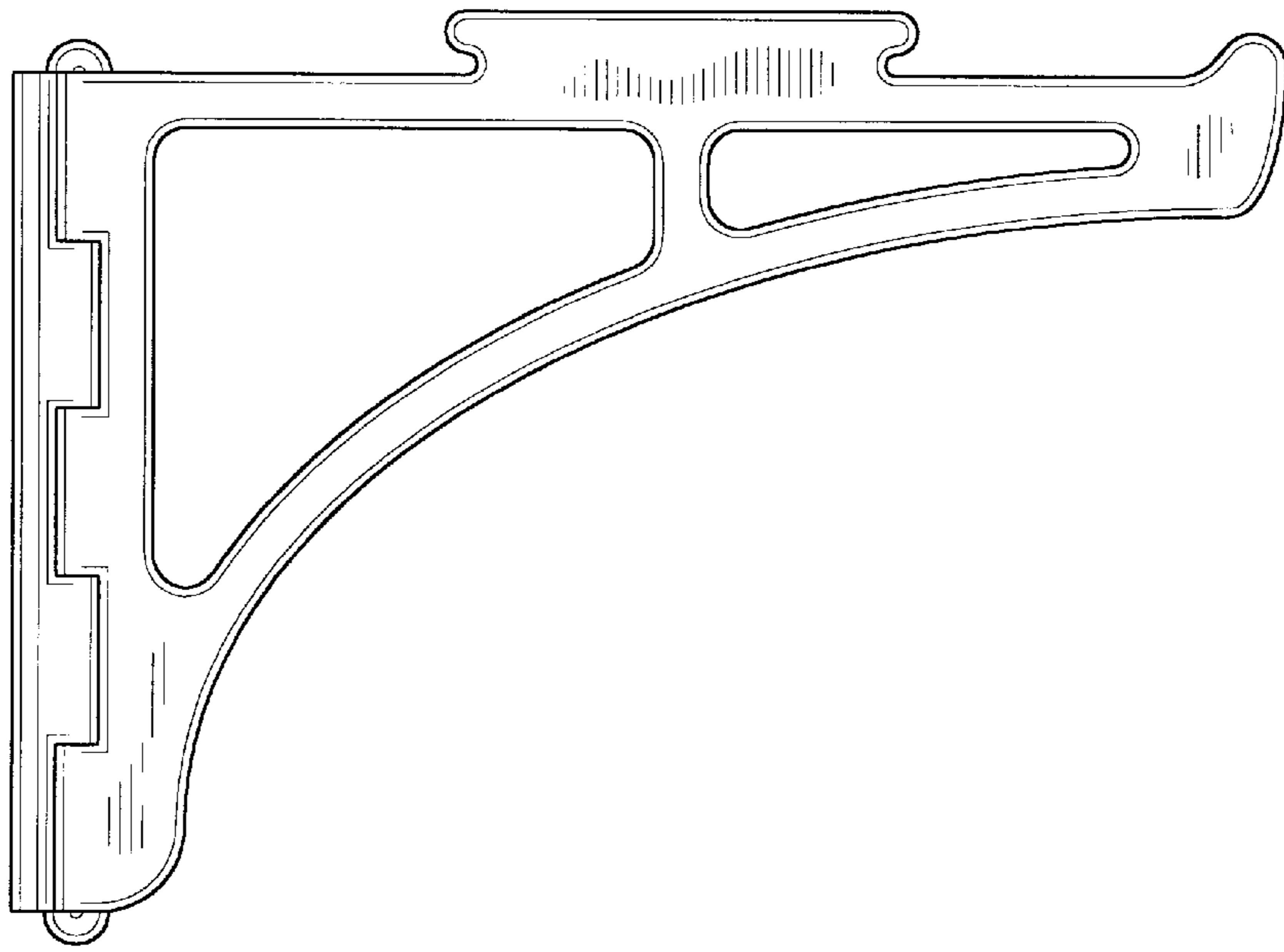


Fig. 3

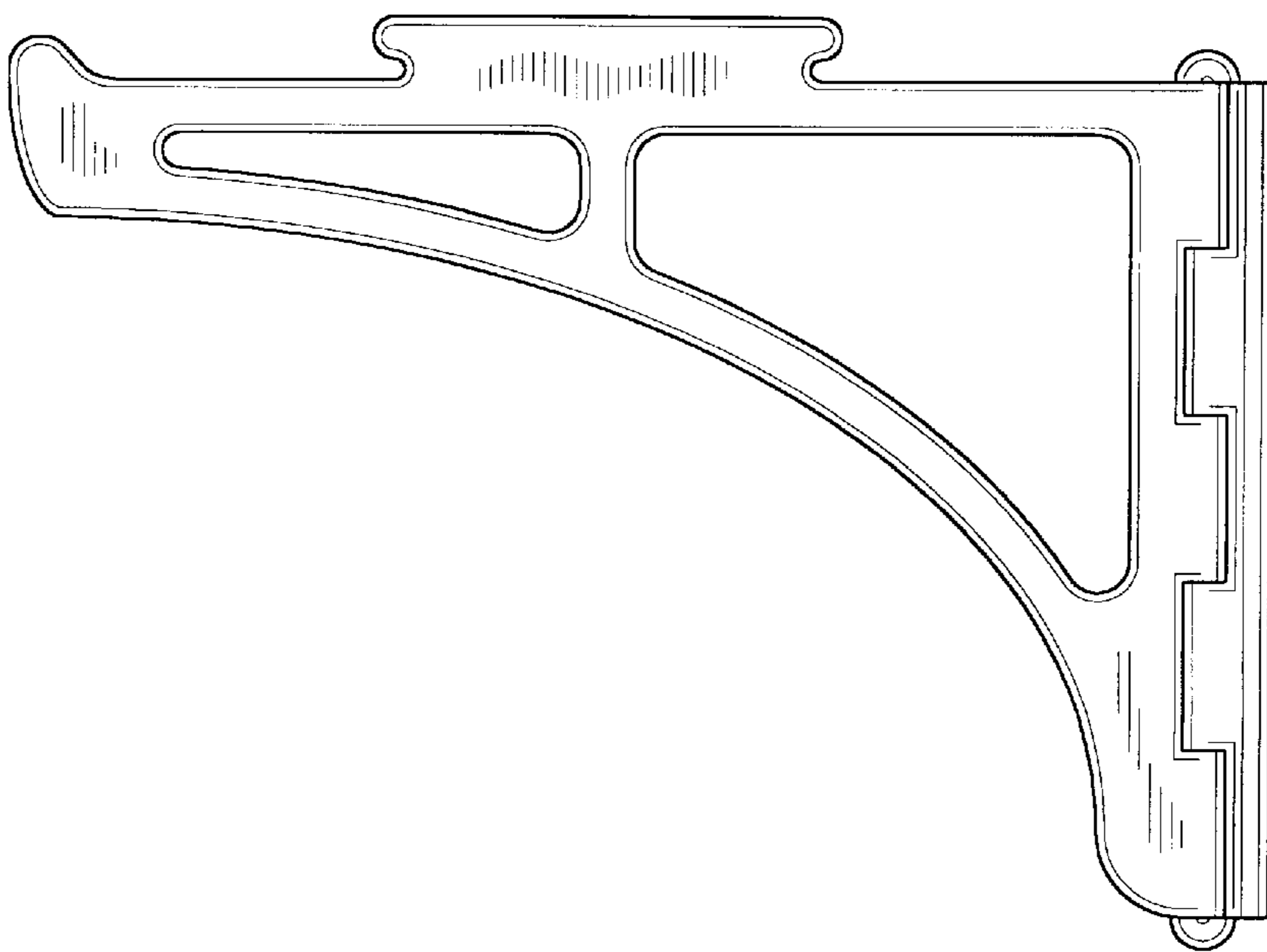


Fig. 4

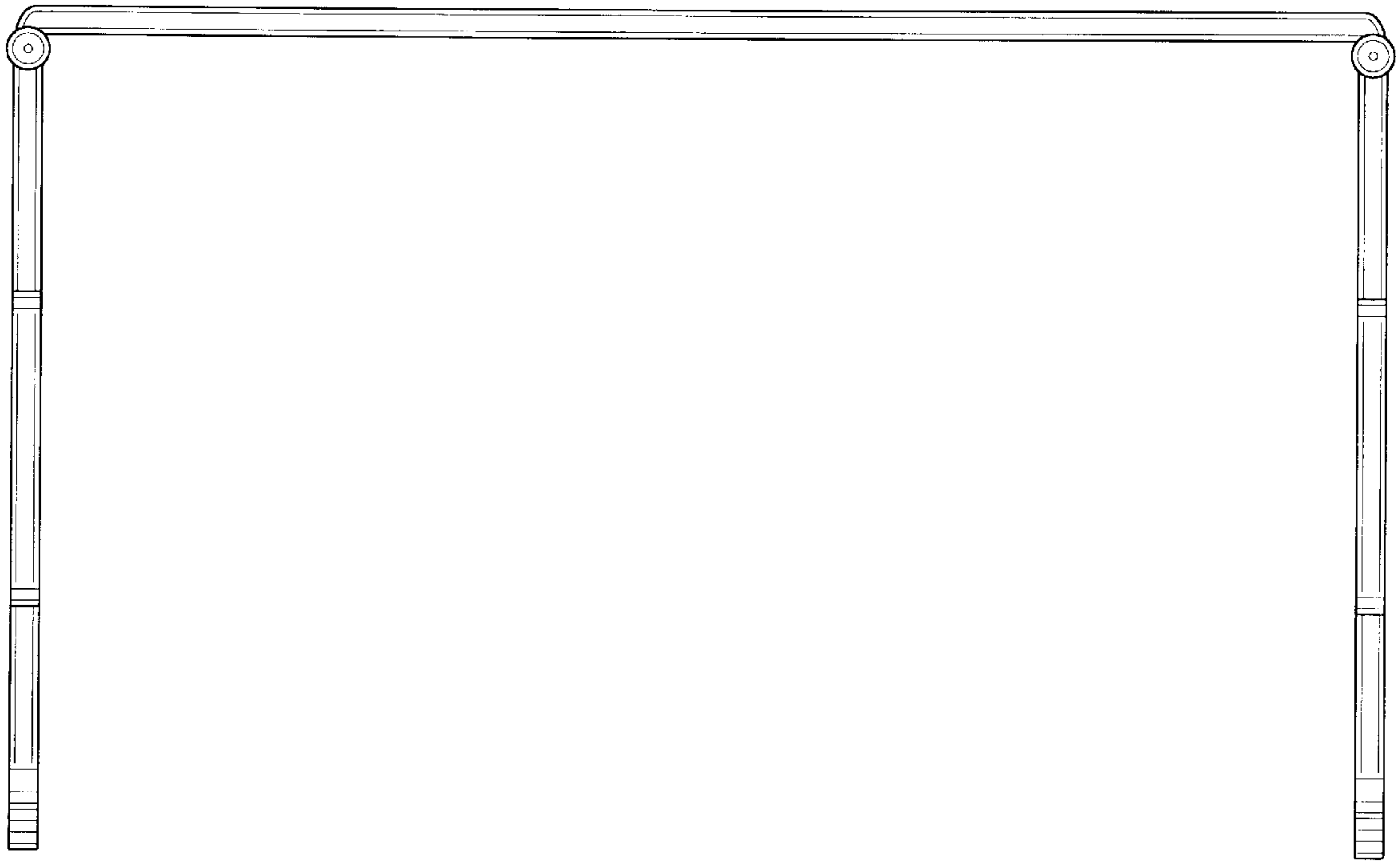


Fig. 5

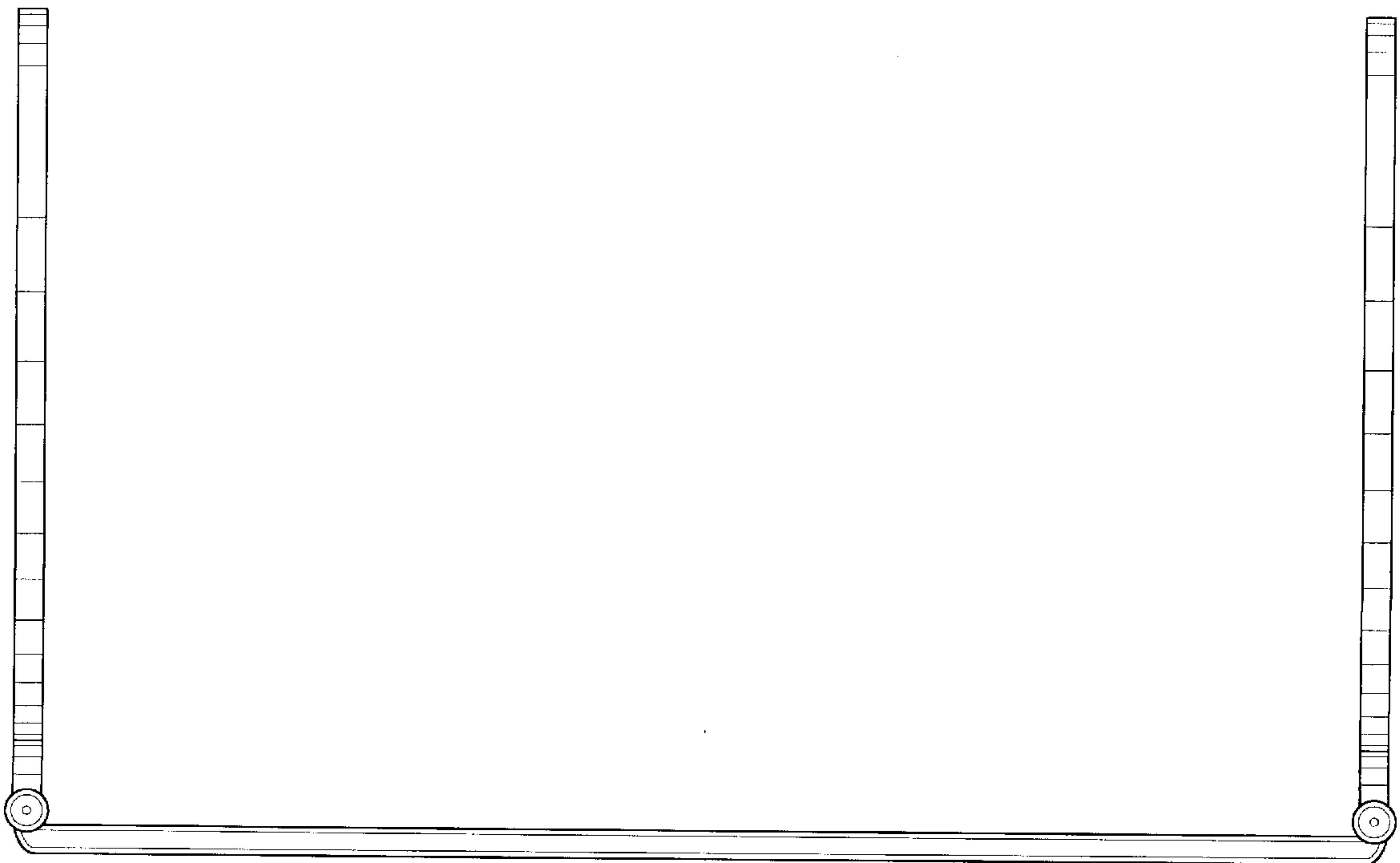


Fig. 6