



US00D420234S

United States Patent [19]
Zaidman

[11] **Patent Number: Des. 420,234**

[45] **Date of Patent: ** Feb. 8, 2000**

[54] **CENTER STRUCTURE FOR A BEDBOARD**

[75] Inventor: **S. Paul Zaidman**, Winnipeg, Canada

[73] Assignee: **Palliser Furniture Ltd.**, Canada

[**] Term: **14 Years**

[21] Appl. No.: **29/099,908**

[22] Filed: **Jan. 29, 1999**

[51] **LOC (7) Cl.** **06-01**

[52] **U.S. Cl.** **D6/505**

[58] **Field of Search** D6/382, 388-395,
D6/505-508; 5/53.1, 279.1, 280, 281, 907,
121

[56] **References Cited**

U.S. PATENT DOCUMENTS

- D. 361,231 8/1995 Yeh D6/508
- D. 390,390 2/1998 Walters, III et al. D6/507
- D. 392,480 3/1998 Cain D6/505

OTHER PUBLICATIONS

J.C. Penney, Fall/Winter 1996, p. 967, bed.
Spiegel, Spring/Summer 1996, p. 481, bed.

Primary Examiner—Janice E. Seeger
Attorney, Agent, or Firm—Barnes & Thornburg

[57] **CLAIM**

The ornamental design for a center structure for a bedboard, as shown and described.

DESCRIPTION

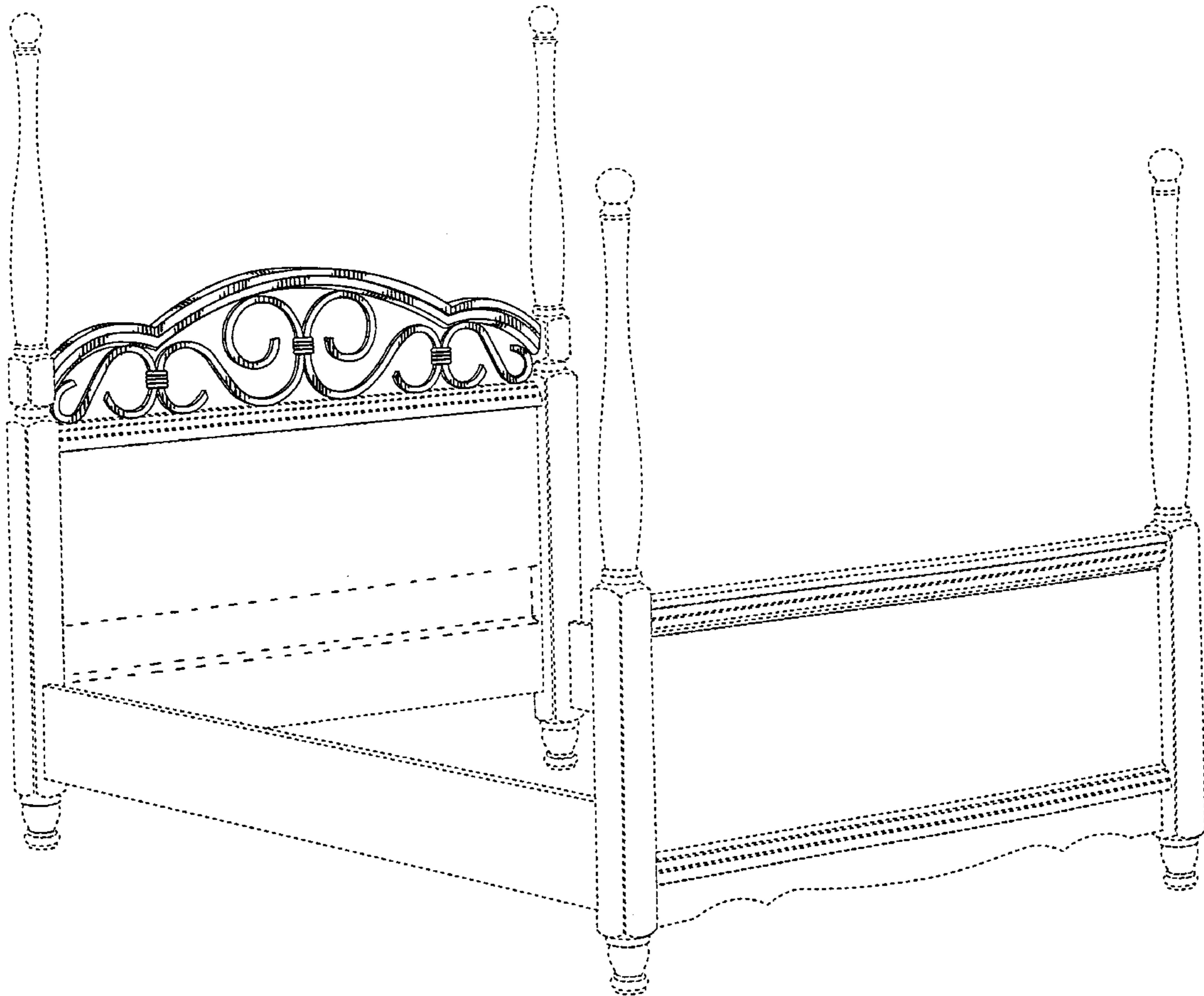
FIG. 1 is a right hand perspective view of a first embodiment of a center structure for a bedboard embodying the design, FIG. 2 is a front view of the center structure for a bedboard embodying the design,

FIG. 3 is a cross-sectional view along the lines 3 of FIG. 2, FIG. 4 is a cross-sectional view along the lines 4 of FIG. 2, FIG. 5 is a cross-sectional view along the lines 5 of FIG. 2; and,

FIG. 6 is a top view of FIG. 2.

The broken lines are for environmental purposes only and form no part of the claimed design.

1 Claim, 6 Drawing Sheets



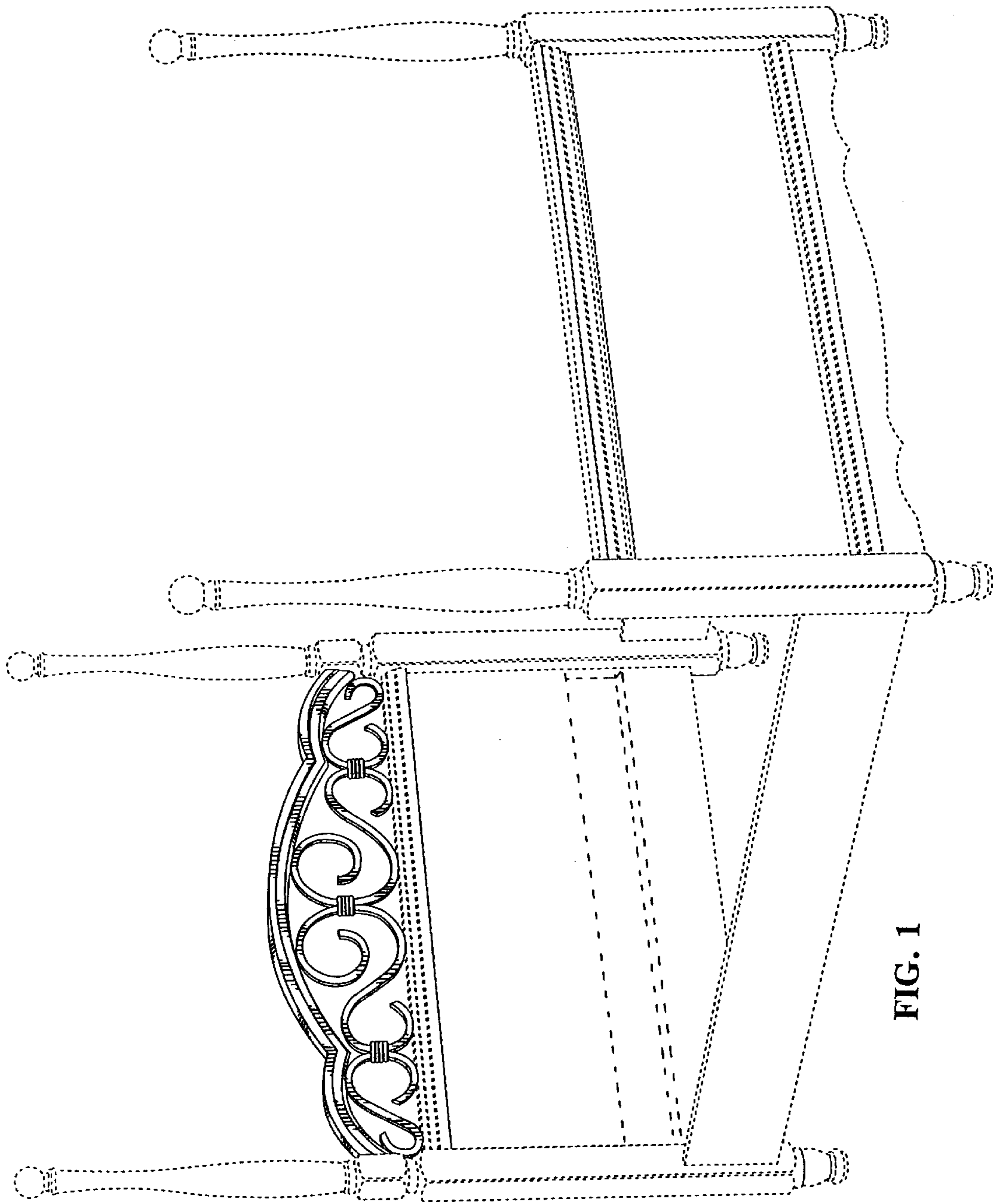


FIG. 1

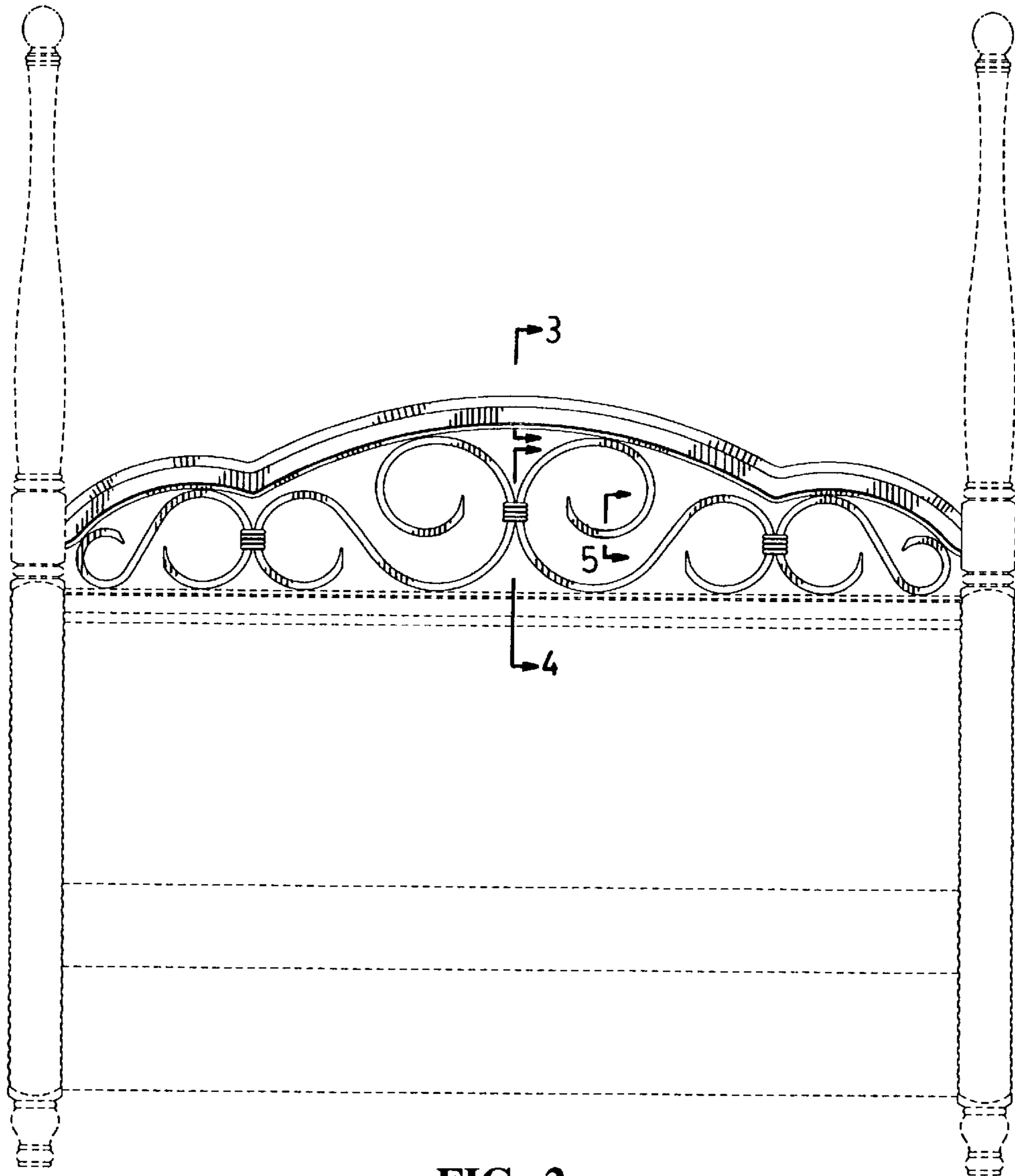


FIG. 2

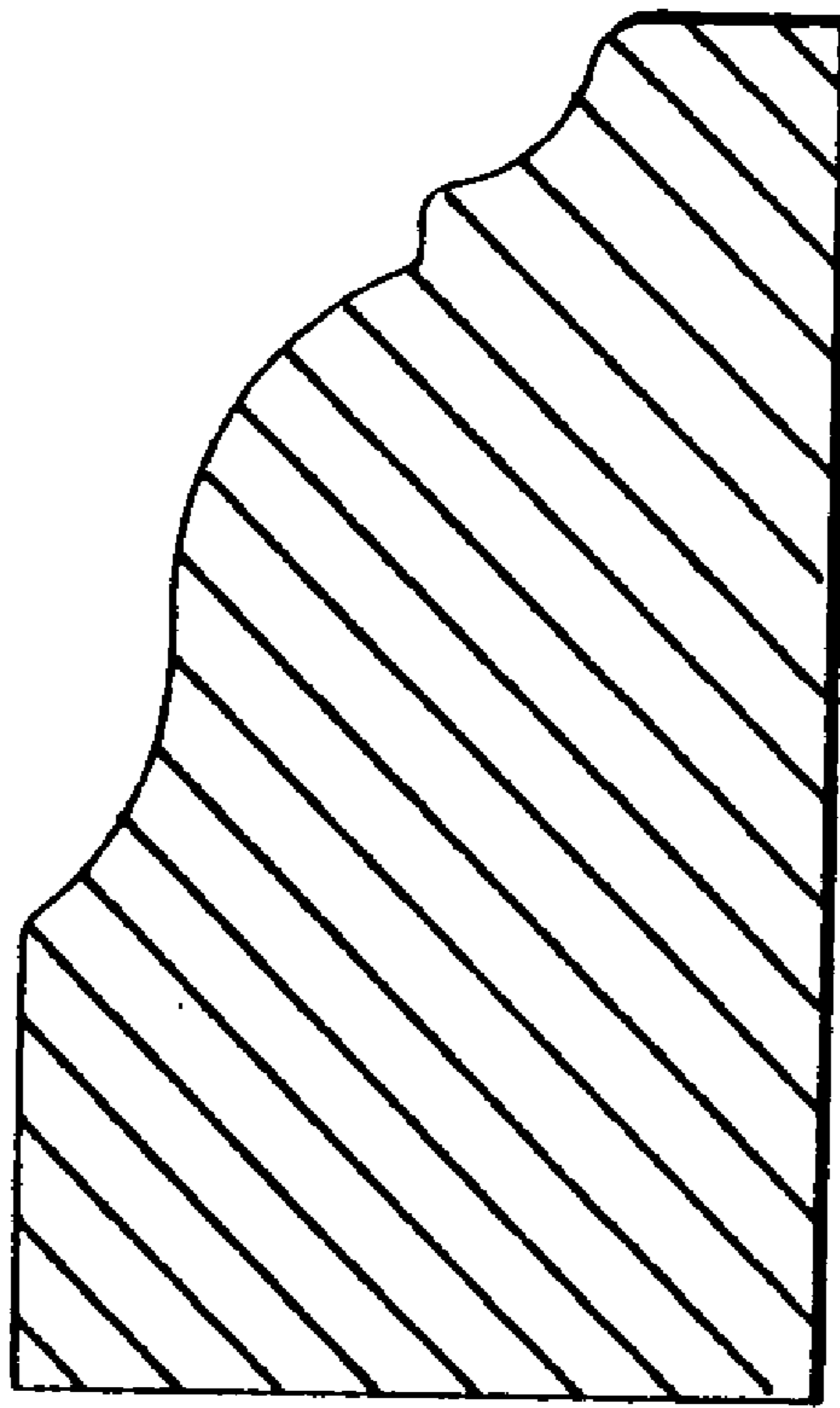


FIG. 3

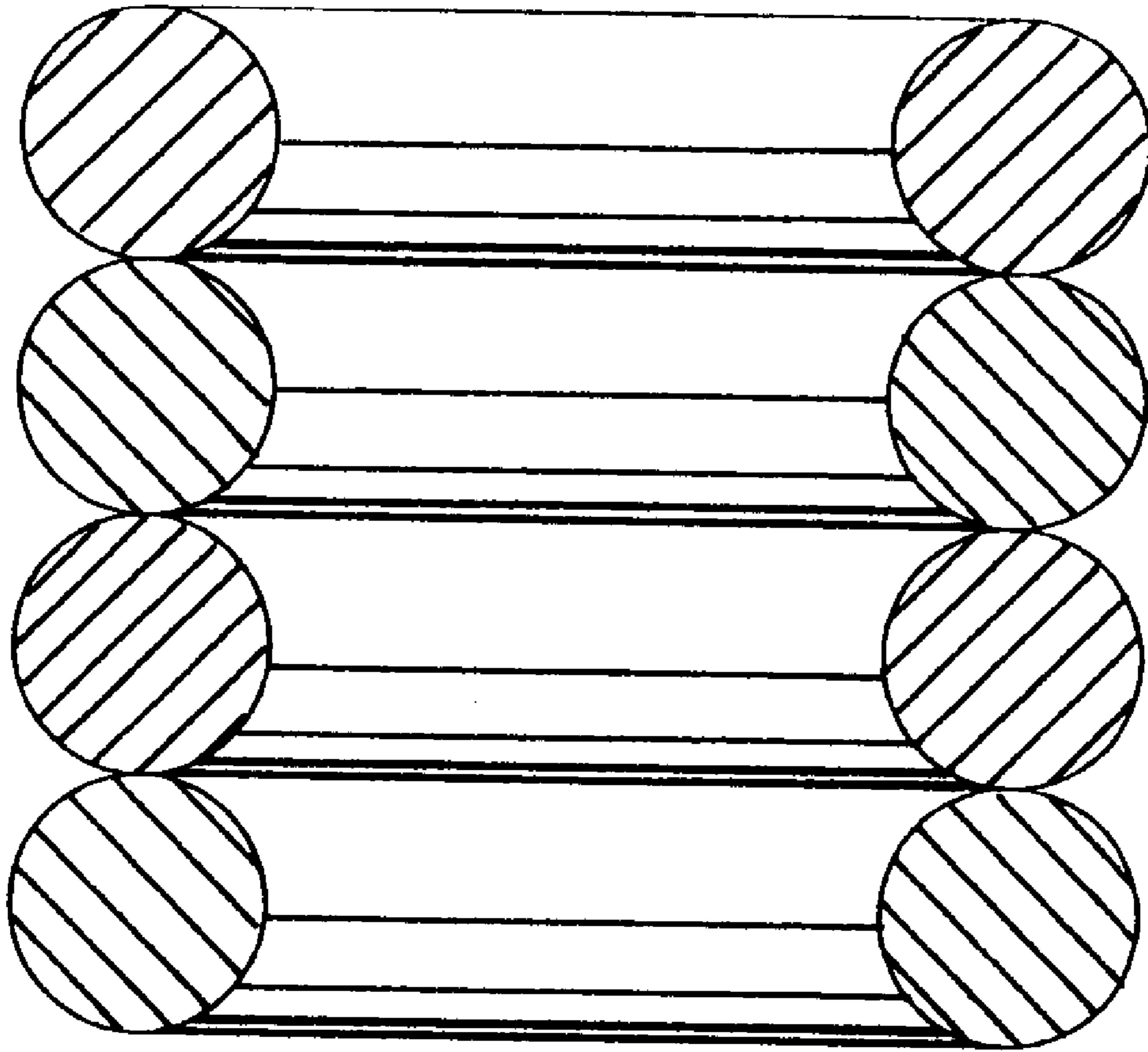


FIG. 4

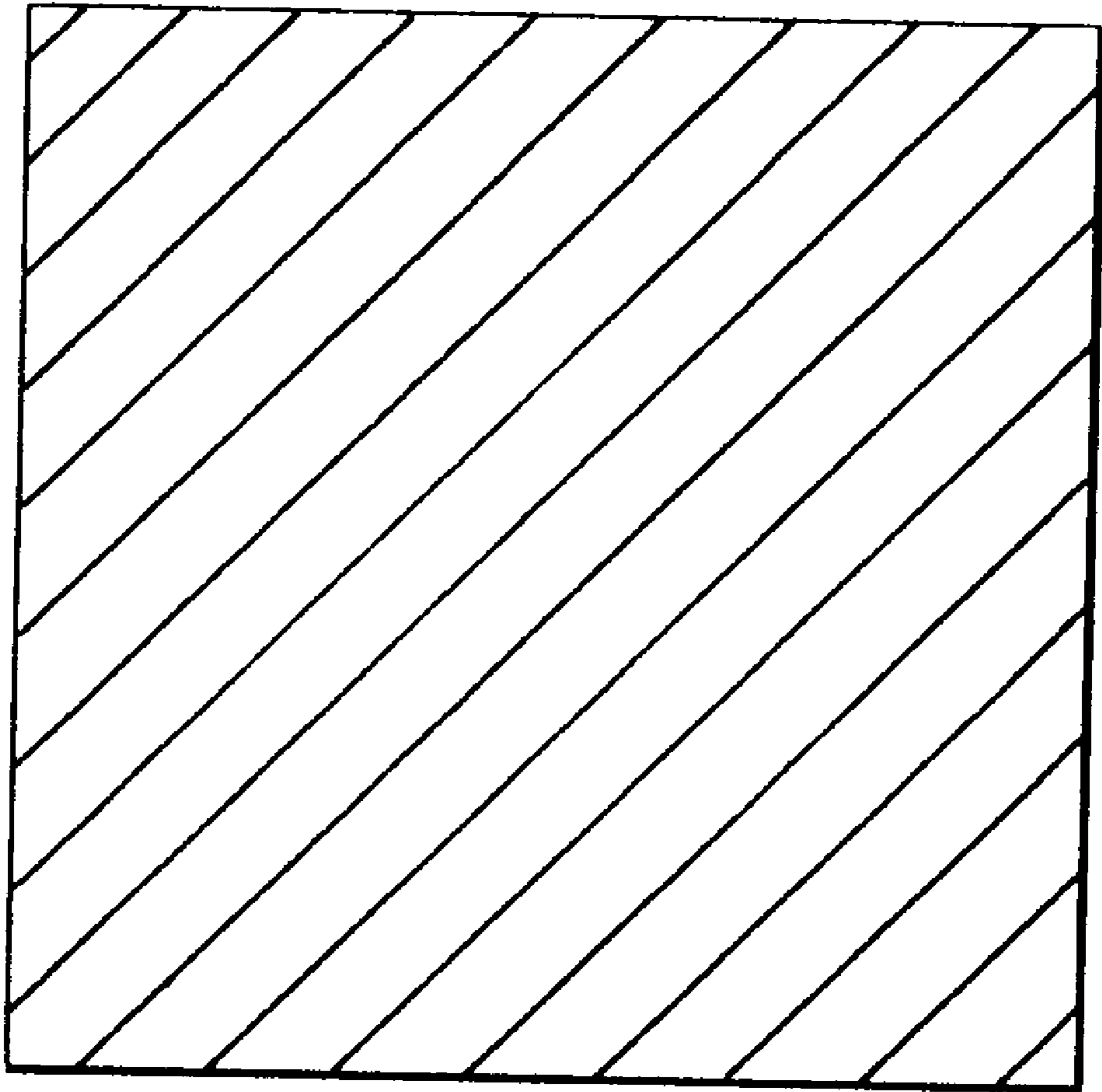


FIG. 5

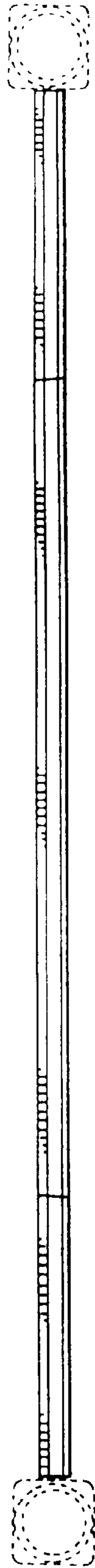


FIG. 6