



US00D420228S

United States Patent [19] Gesing

[11] Patent Number: **Des. 420,228**

[45] Date of Patent: **** Feb. 8, 2000**

[54] **TABLE**

[76] Inventor: **Sahara A. Gesing**, 2510 Valencia Ter.,
Charlotte, N.C. 28226

[**] Term: **14 Years**

[21] Appl. No.: **29/105,068**

[22] Filed: **May 17, 1999**

Related U.S. Application Data

[62] Division of application No. 29/078,024, Oct. 15, 1997.

[51] **LOC (7) Cl.** **06-04**

[52] **U.S. Cl.** **D6/436; D6/480**

[58] **Field of Search** D6/480-489, 495,
D6/511, 477, 474, 432, 436; 108/153.1,
156, 157.1, 161; 248/188, 188.1

[56] References Cited

U.S. PATENT DOCUMENTS

D. 281,125 10/1985 Brown D6/477
D. 371,700 7/1996 Rosen D6/483

OTHER PUBLICATIONS

Ethan Allen c1992, p. 233, table at bottom and center.
Thomasville Replicas 1800, p. 25, Jan. 1984, table at top
right.

Pennsylvania House, Jun. 1994, p. 134, cocktail table at
lower left, #17-1201.

Lazarus, Aug. 1992, front cover, table.

Thomasville, Replicas 11800, p. 24, Jan. 1984, table at top
left.

Primary Examiner—Janice E. Seeger

Attorney, Agent, or Firm—Kilpatrick Stockton LLP;
Charles W. Calkins; James J. Bindseil

[57] CLAIM

The ornamental design for a table, as shown and described.

DESCRIPTION

FIG. 1 is a perspective view of a table of my new design;
FIG. 2 is a left side elevational view thereof, the opposite
side being identical;

FIG. 3 is a top plan view thereof;

FIG. 4 is a front elevational view thereof;

FIG. 5 is a perspective view of an alternate embodiment of
a table of my new design;

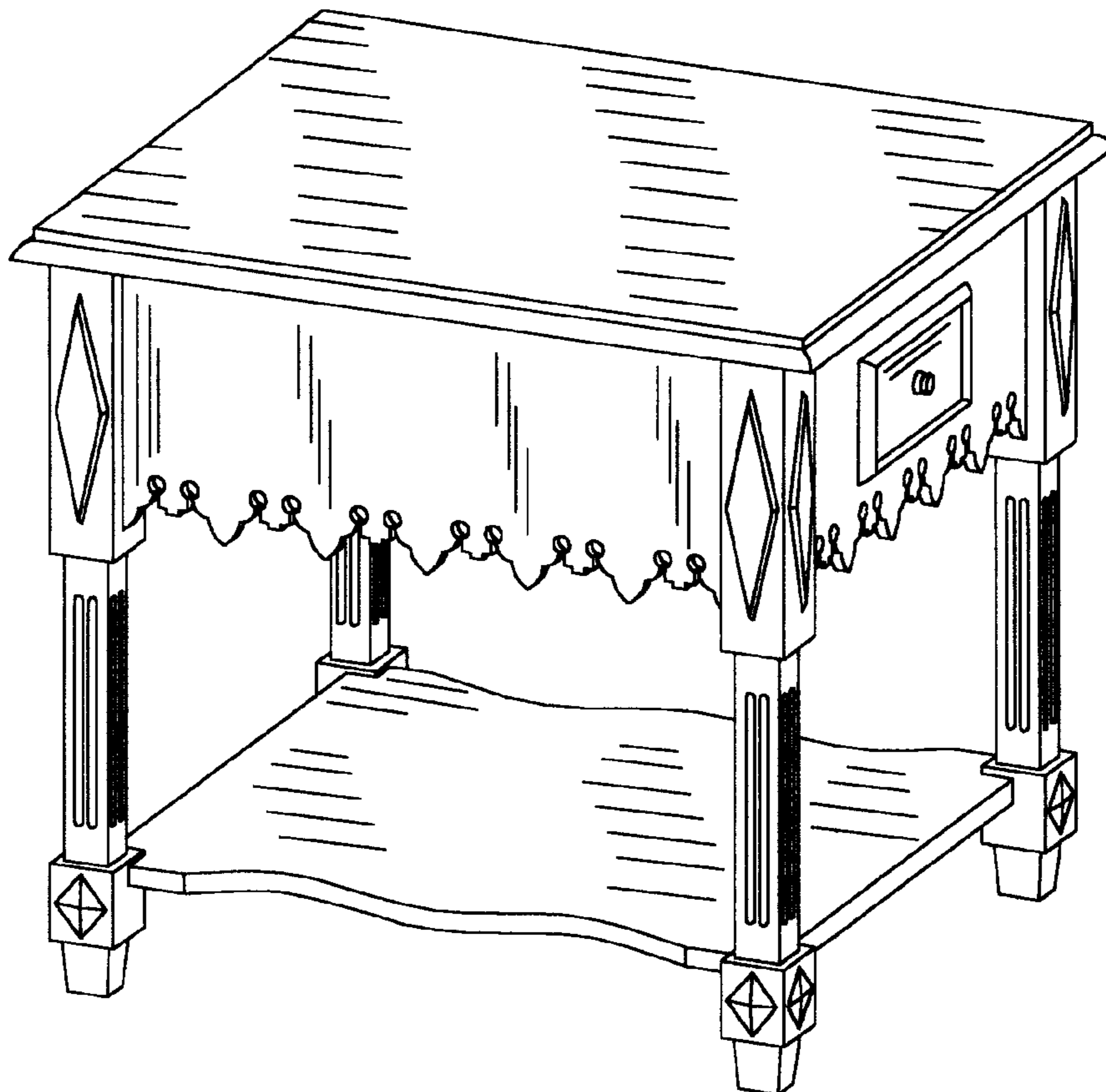
FIG. 6 is a top plan view thereof;

FIG. 7 is a front elevational view thereof; and,

FIG. 8 is a left side elevational view thereof, the opposite
side being identical.

The rear and bottom of the tables of FIGS. 1-4 and 5-8 form
no part of the claimed design.

1 Claim, 4 Drawing Sheets



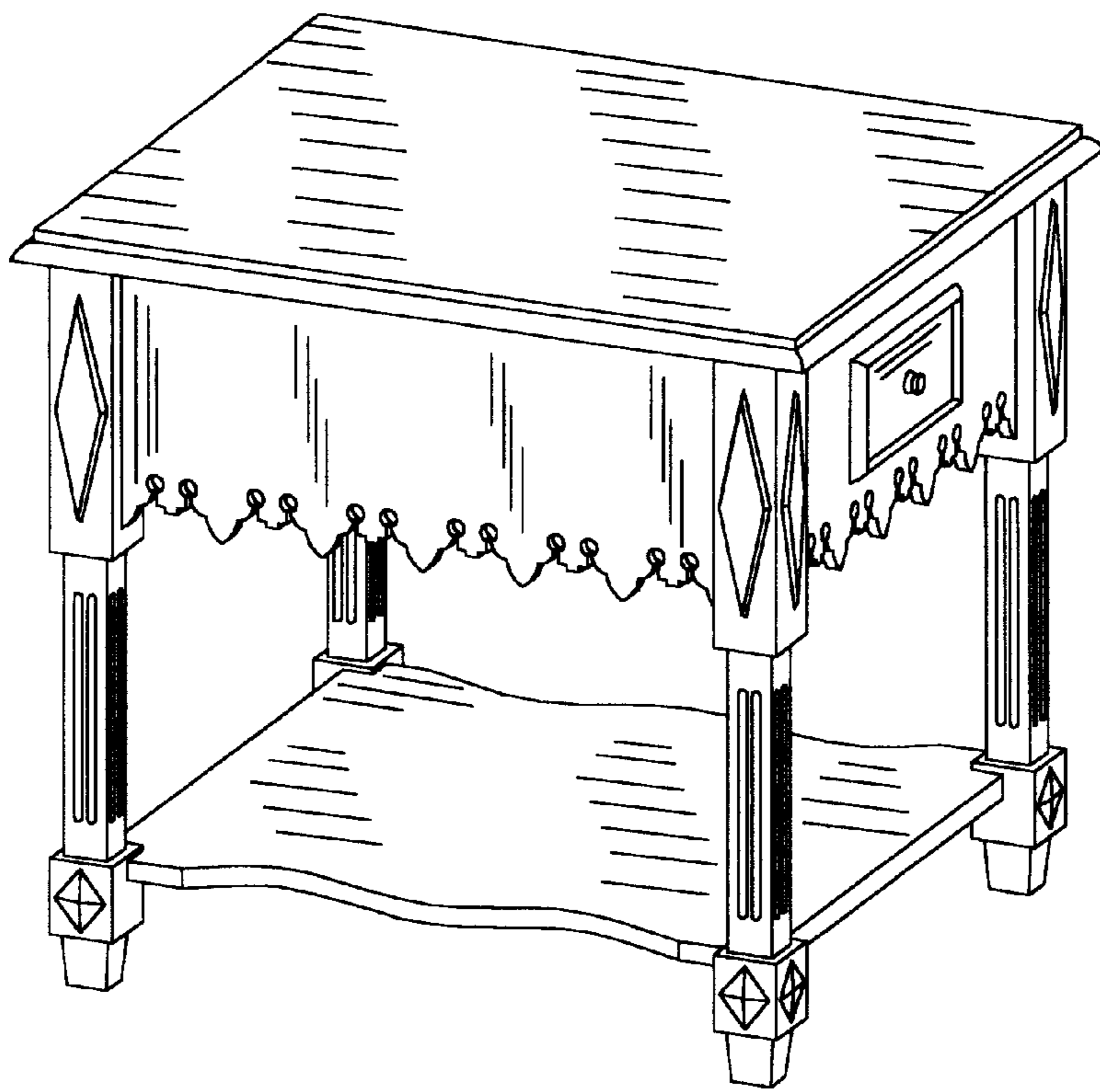


FIG. 1

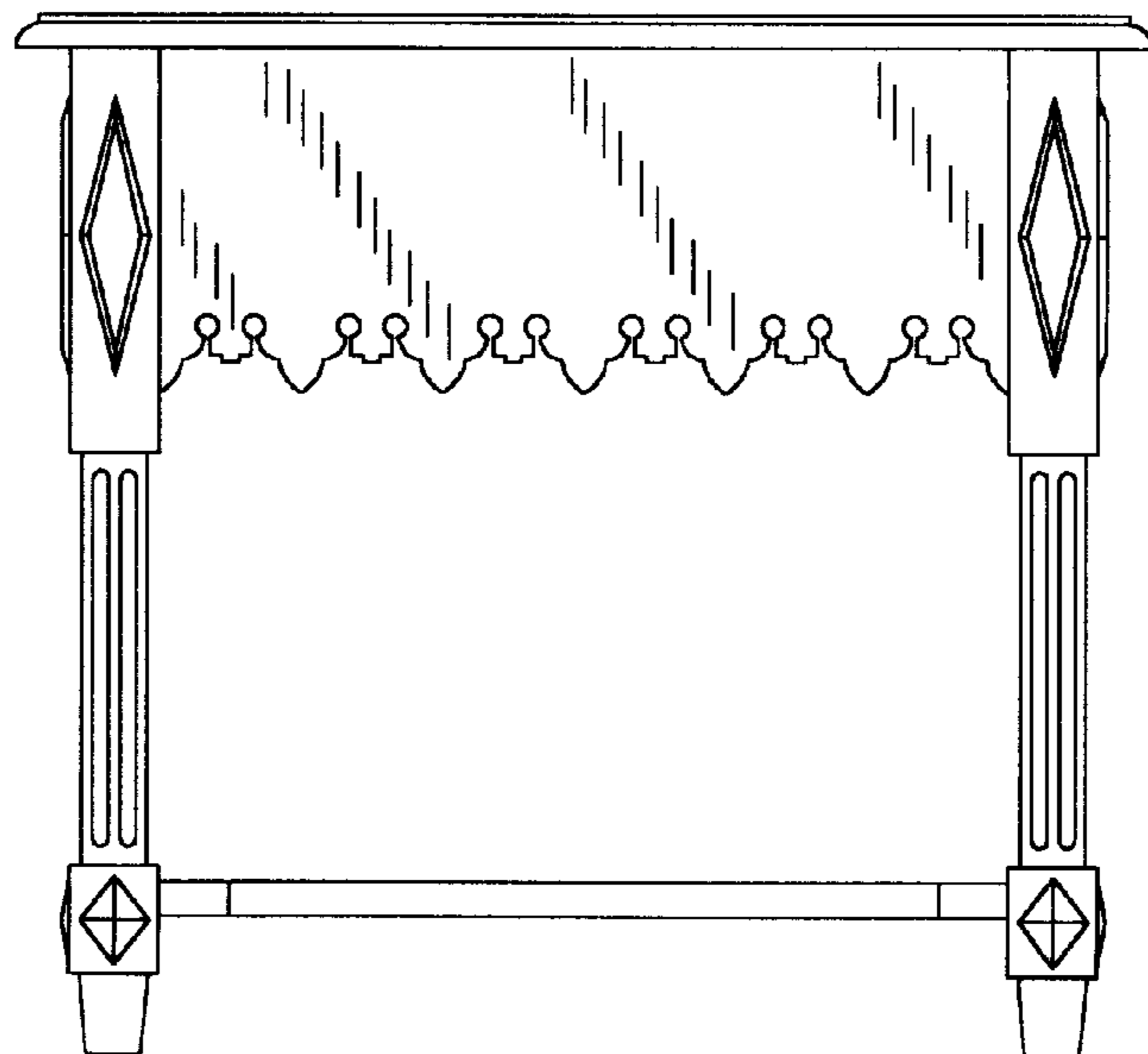


FIG. 2

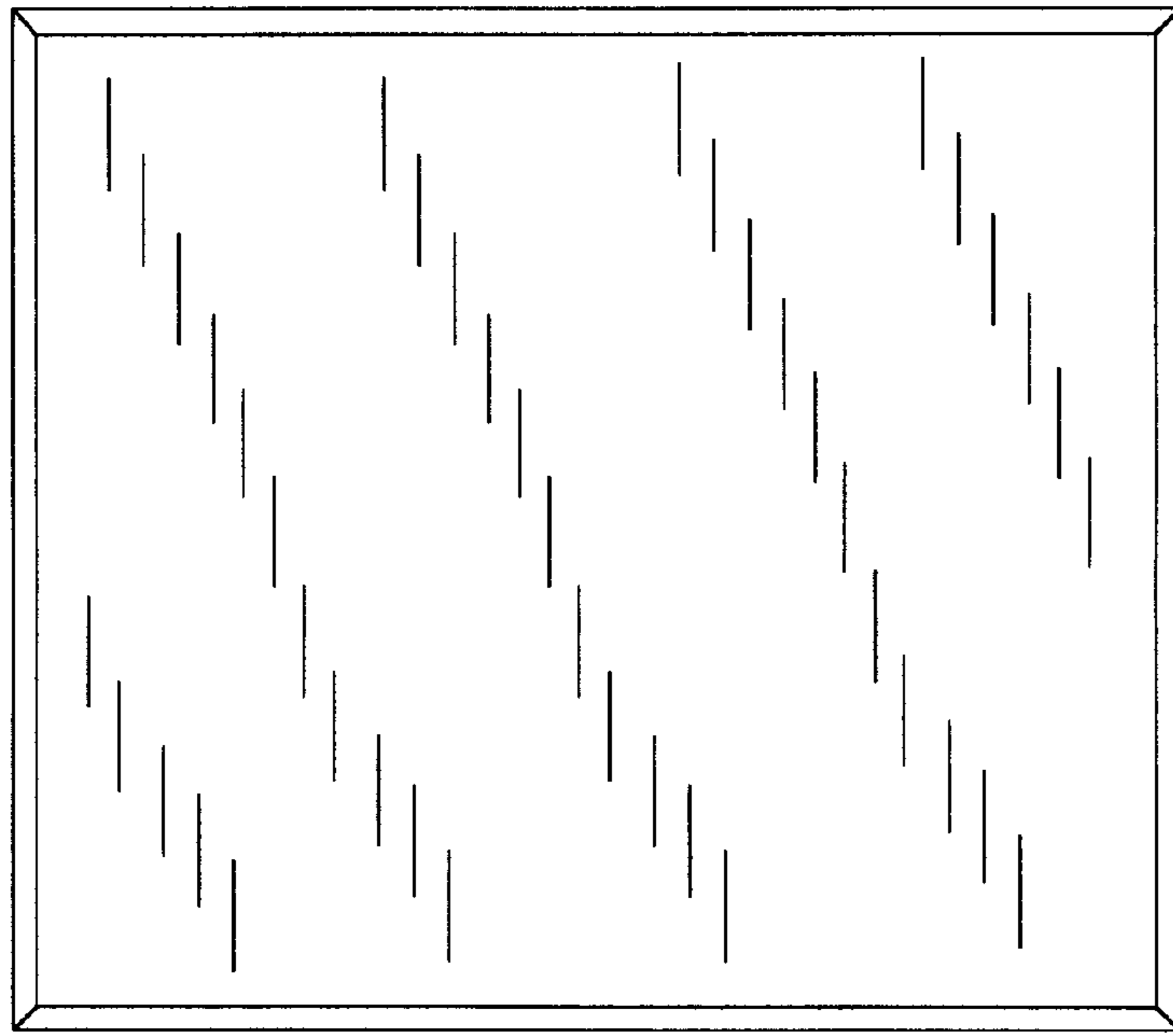


FIG. 3

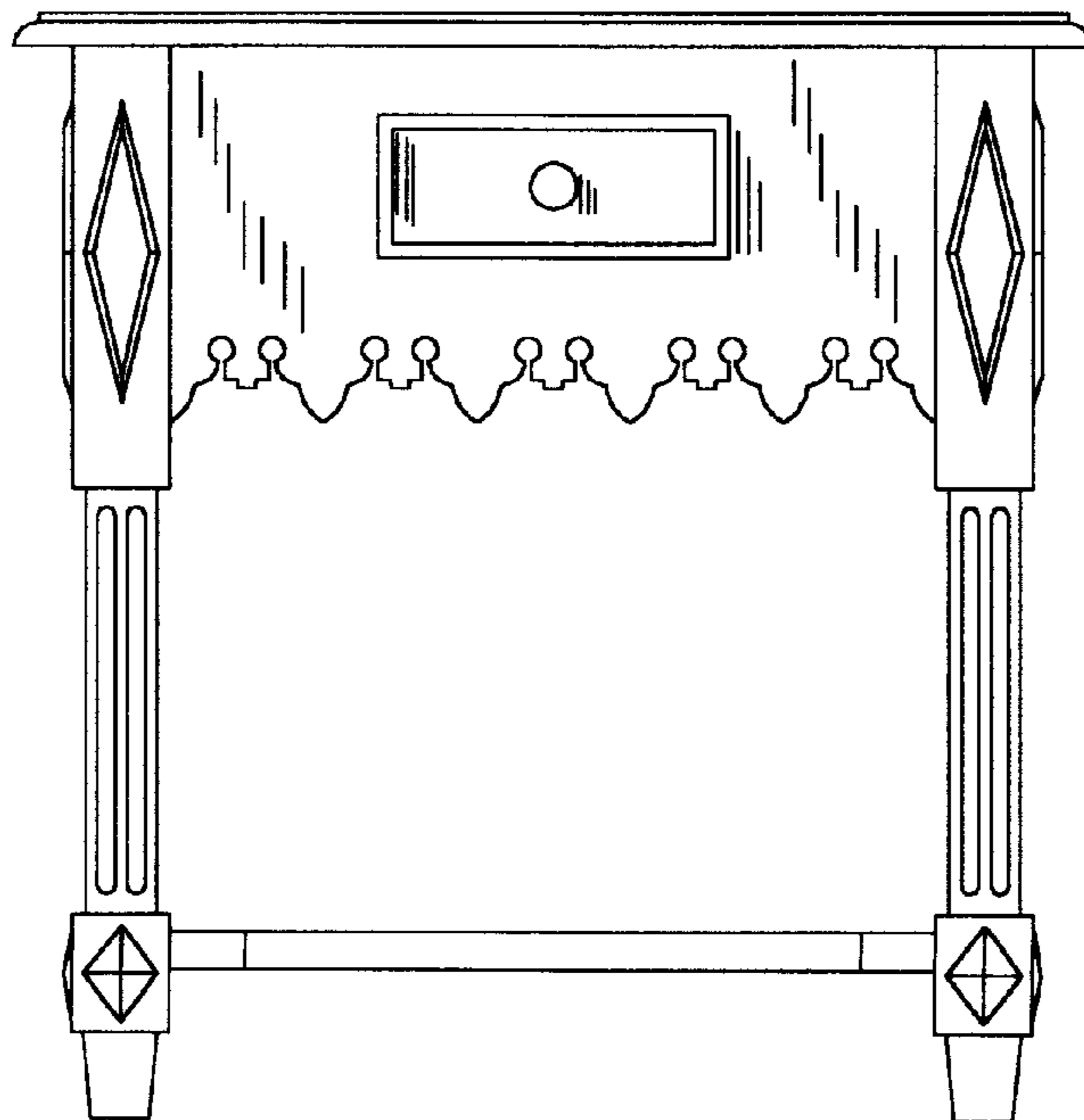


FIG. 4

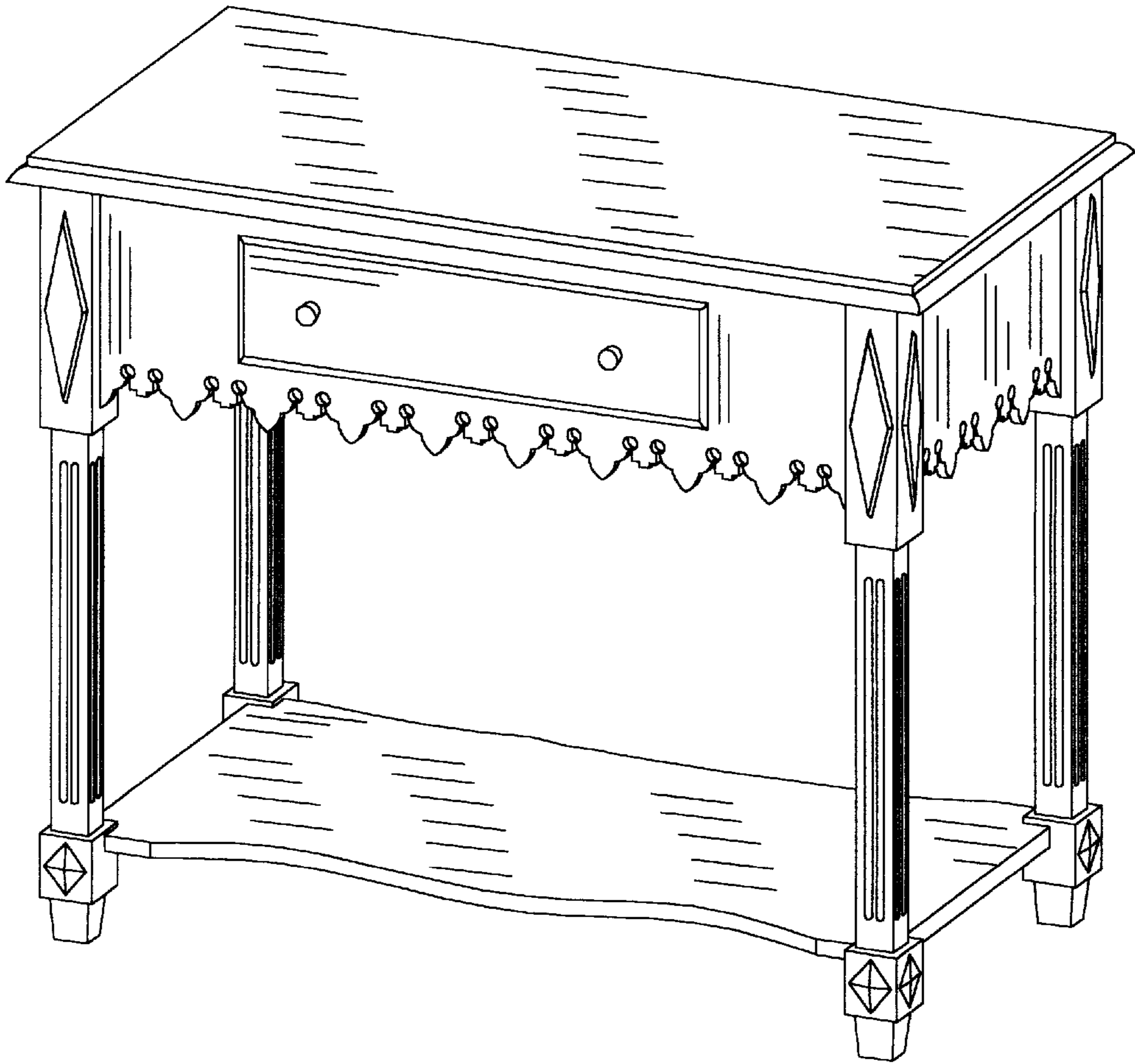


FIG. 5

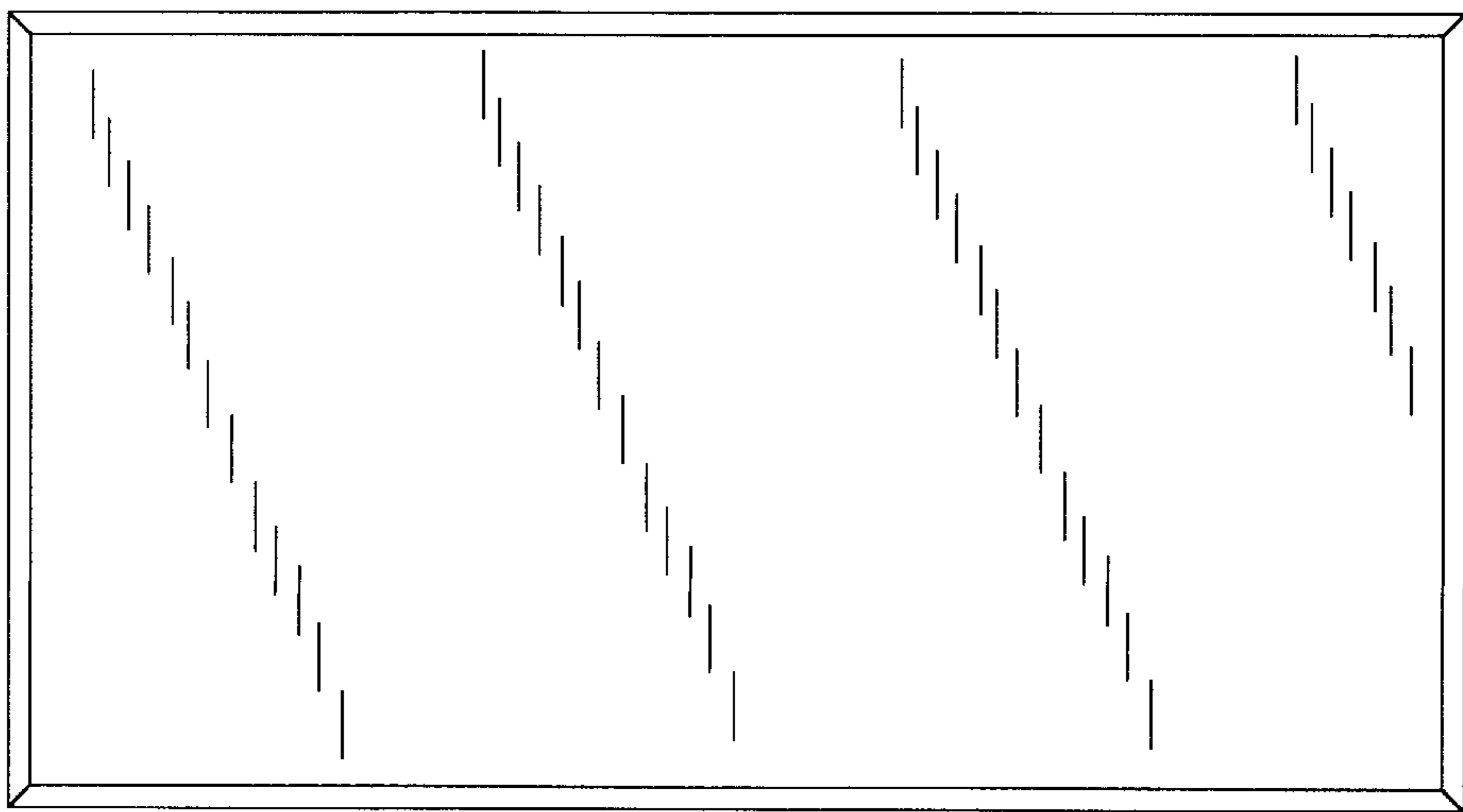


FIG. 6

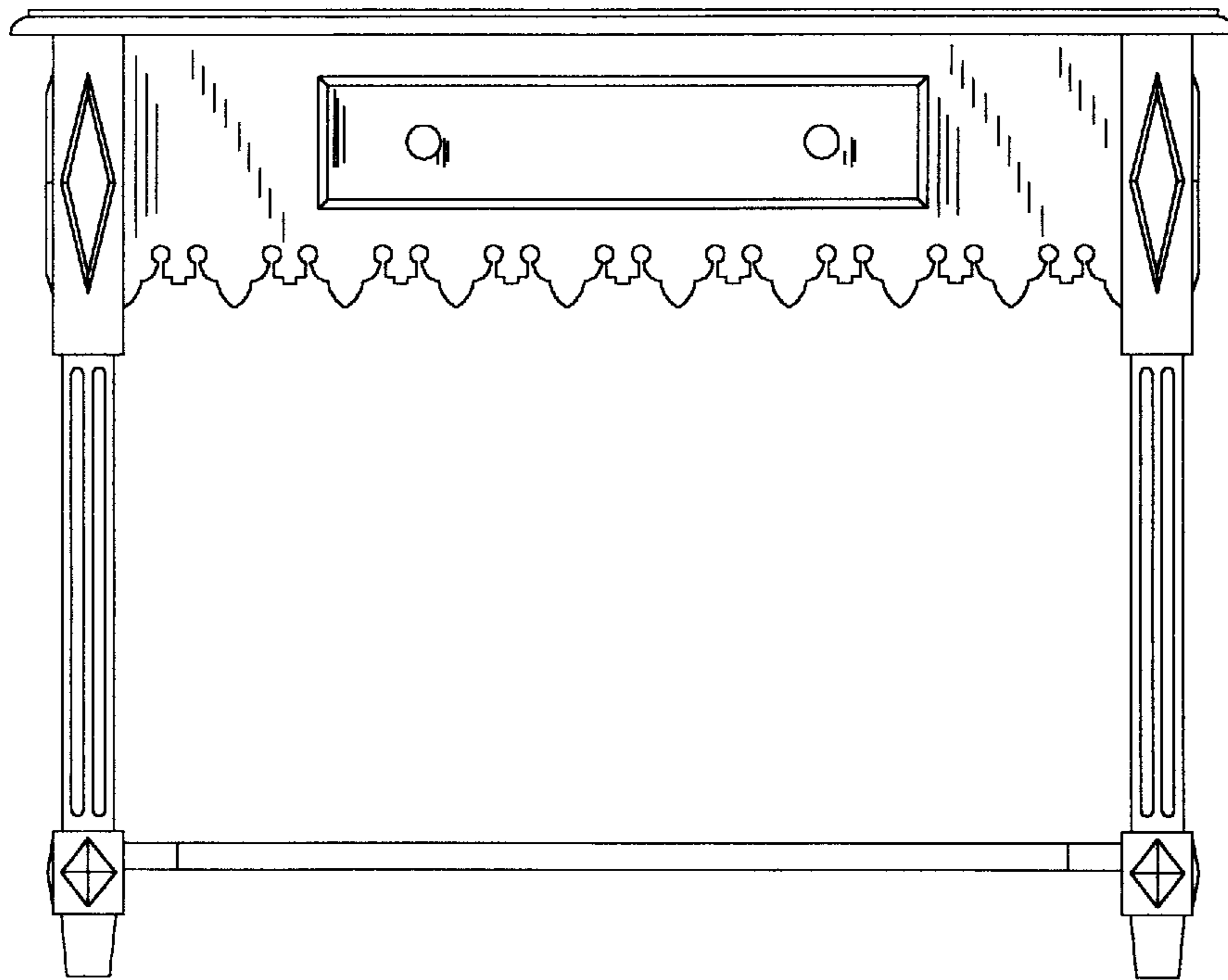


FIG. 7

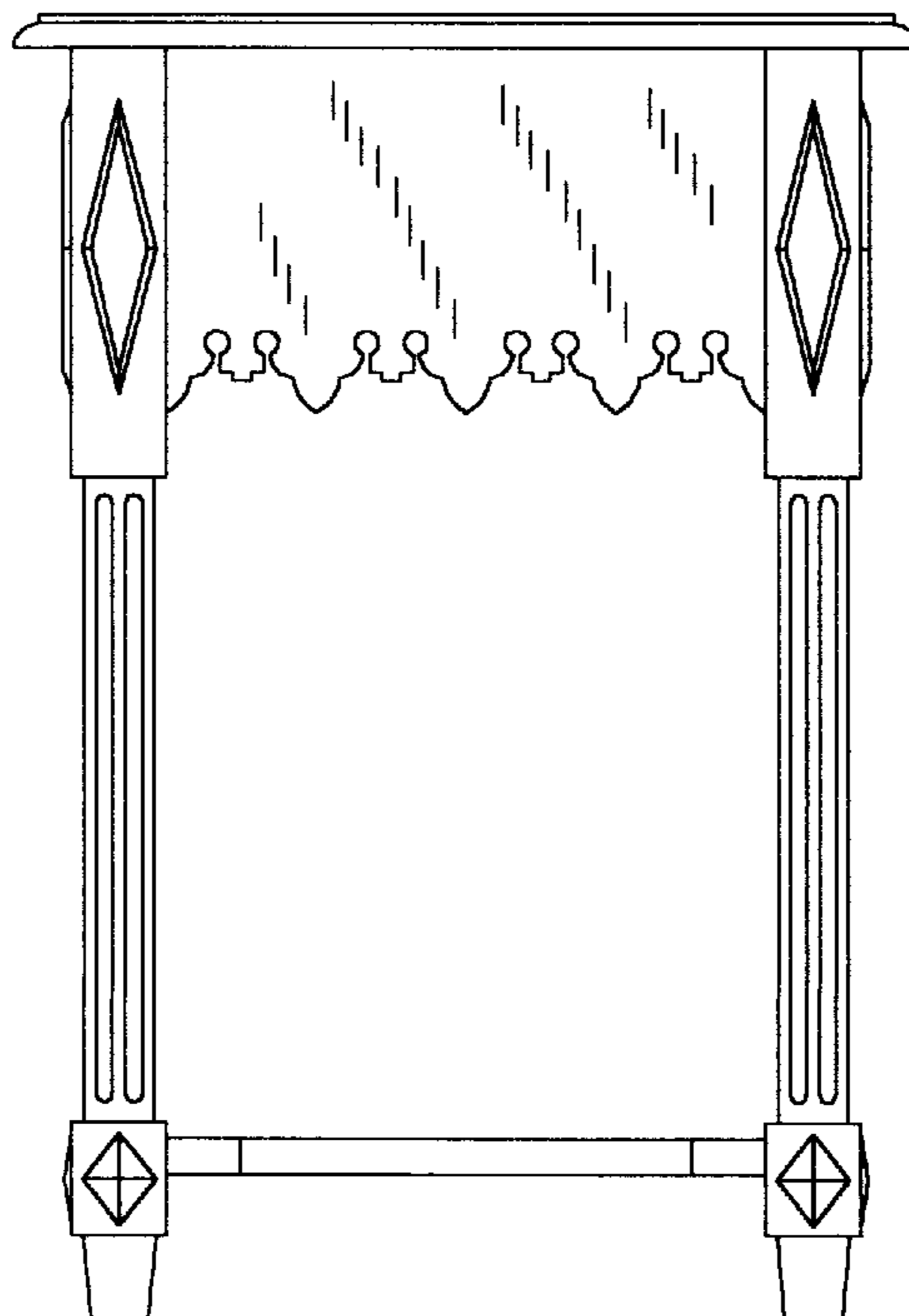


FIG. 8