



US00D420224S

United States Patent [19] Olson

[11] **Patent Number: Des. 420,224**

[45] **Date of Patent: ** Feb. 8, 2000**

[54] **CHAIR**

[75] Inventor: **Ogden R. Olson**, Muscatine, Iowa

[73] Assignee: **HON Technology Inc.**, Muscatine, Iowa

[**] Term: **14 Years**

[21] Appl. No.: **29/055,427**

[22] Filed: **Jun. 4, 1996**

[51] **LOC (7) Cl.** **06-01**

[52] **U.S. Cl.** **D6/366**

[58] **Field of Search** D6/334, 364, 365,
D6/366, 367, 500, 501, 502; 297/411.2,
411.24, 411.27

[56] **References Cited**

U.S. PATENT DOCUMENTS

D. 194,458	1/1963	Pearson	D6/366
D. 340,589	10/1993	Chu	D6/366
D. 362,973	10/1995	Schultz	D6/366
D. 368,380	4/1996	Olson et al.	D6/366
D. 372,595	8/1996	Schultz et al.	D6/366
D. 390,712	2/1998	Koepke et al.	D6/366

D. 397,557	9/1998	Feldberg	D6/366
D. 398,464	9/1998	Cronk	D6/500

OTHER PUBLICATIONS

Jacobs Gardner, p. 34, Chair "B" at bottom left, 1988.

Primary Examiner—Gary D. Watson

Attorney, Agent, or Firm—Jones, Day, Reavis & Pogue

[57] **CLAIM**

The ornamental design for a chair, as shown.

DESCRIPTION

FIG. 1 is a front left perspective view of a chair showing my new design;

FIG. 2 is a left rear perspective view thereof;

FIG. 3 is a front view thereof;

FIG. 4 is a rear view thereof;

FIG. 5 is a top plan view thereof;

FIG. 6 is a right side view thereof; and,

FIG. 7 is a bottom view thereof.

The fragmented cross-hatching, shown on the seat and backrest, is understood to represent fabric and would be continuous throughout the implied areas.

1 Claim, 3 Drawing Sheets

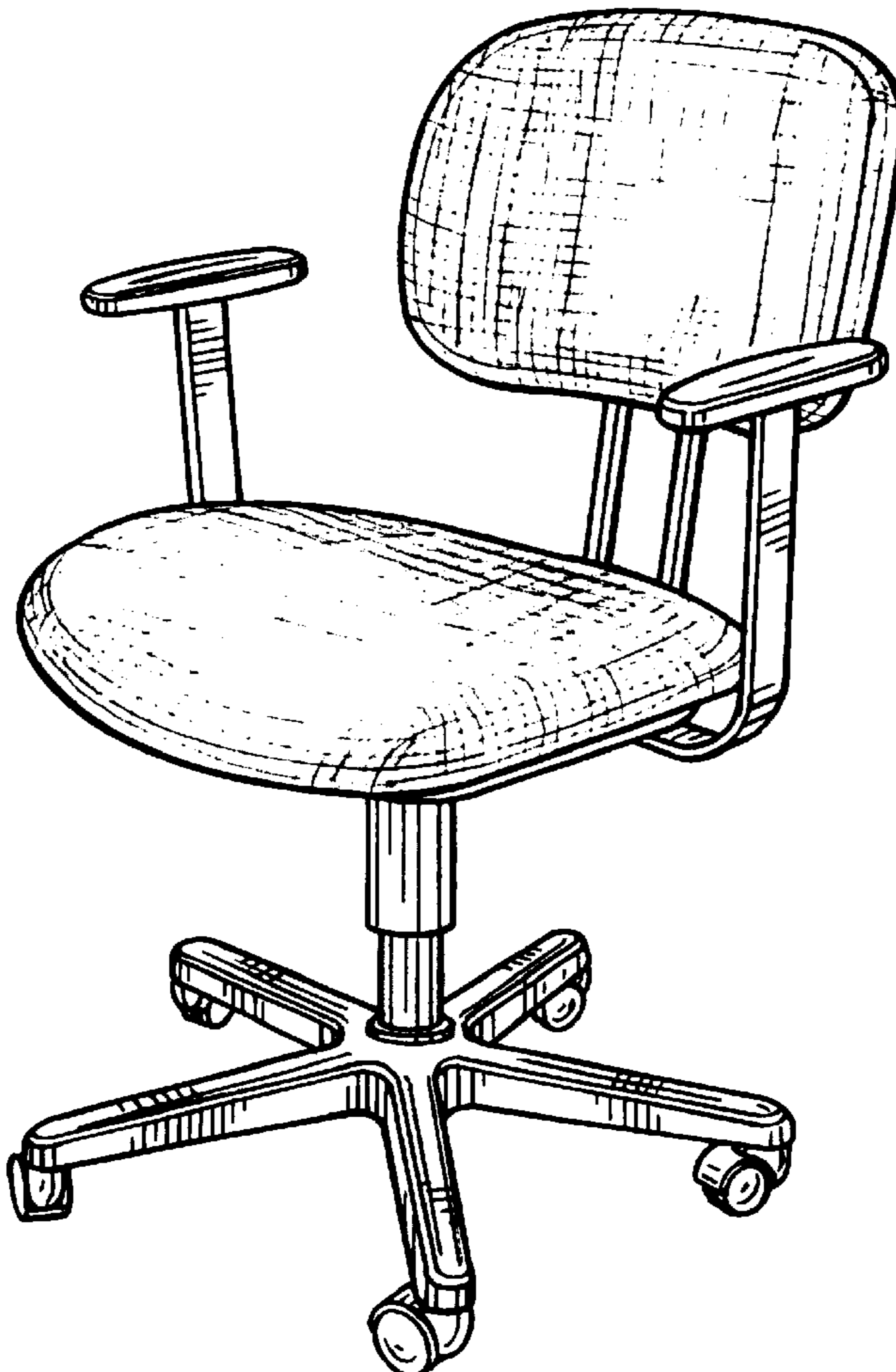




FIG. 1



FIG. 2

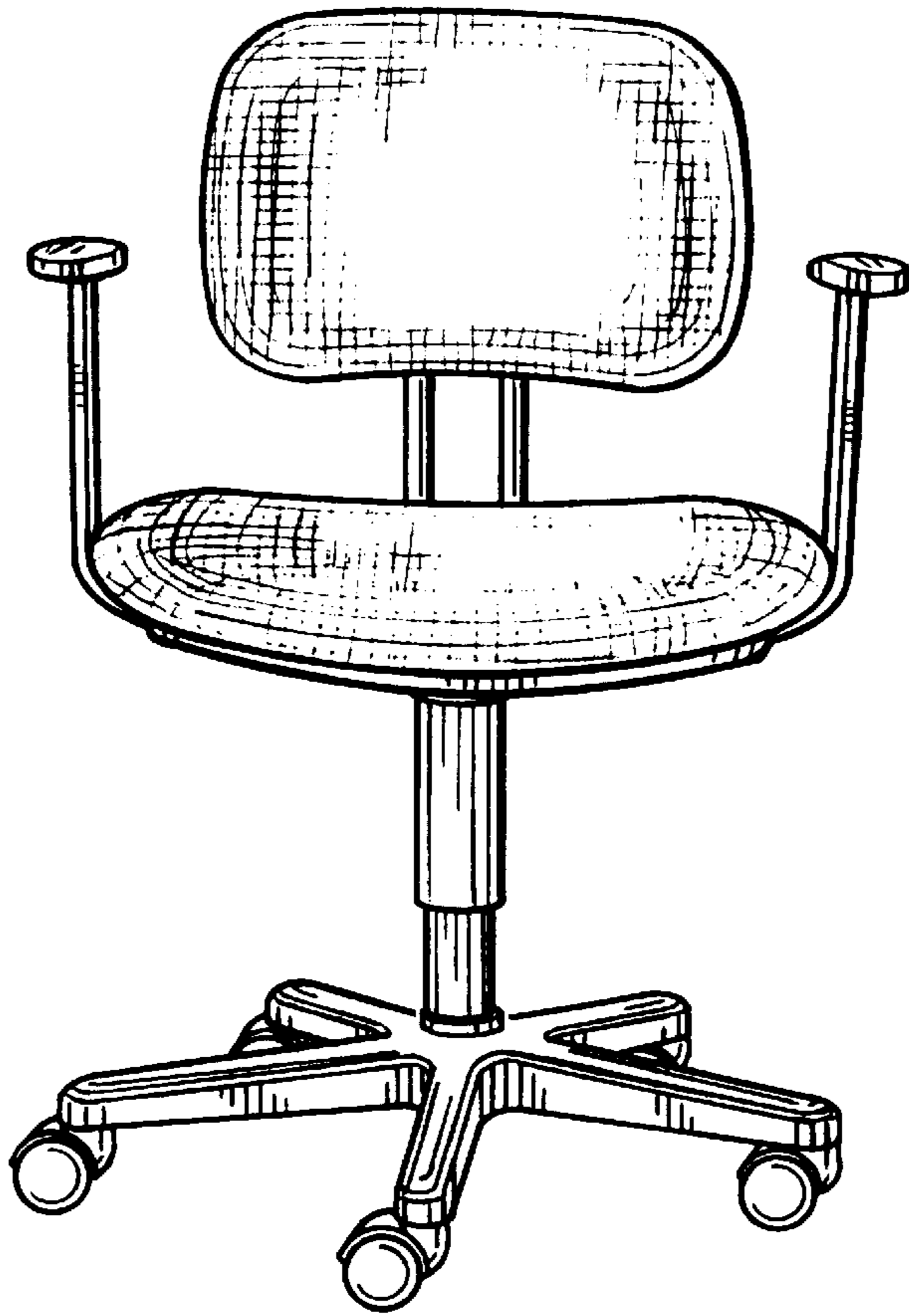


FIG. 3

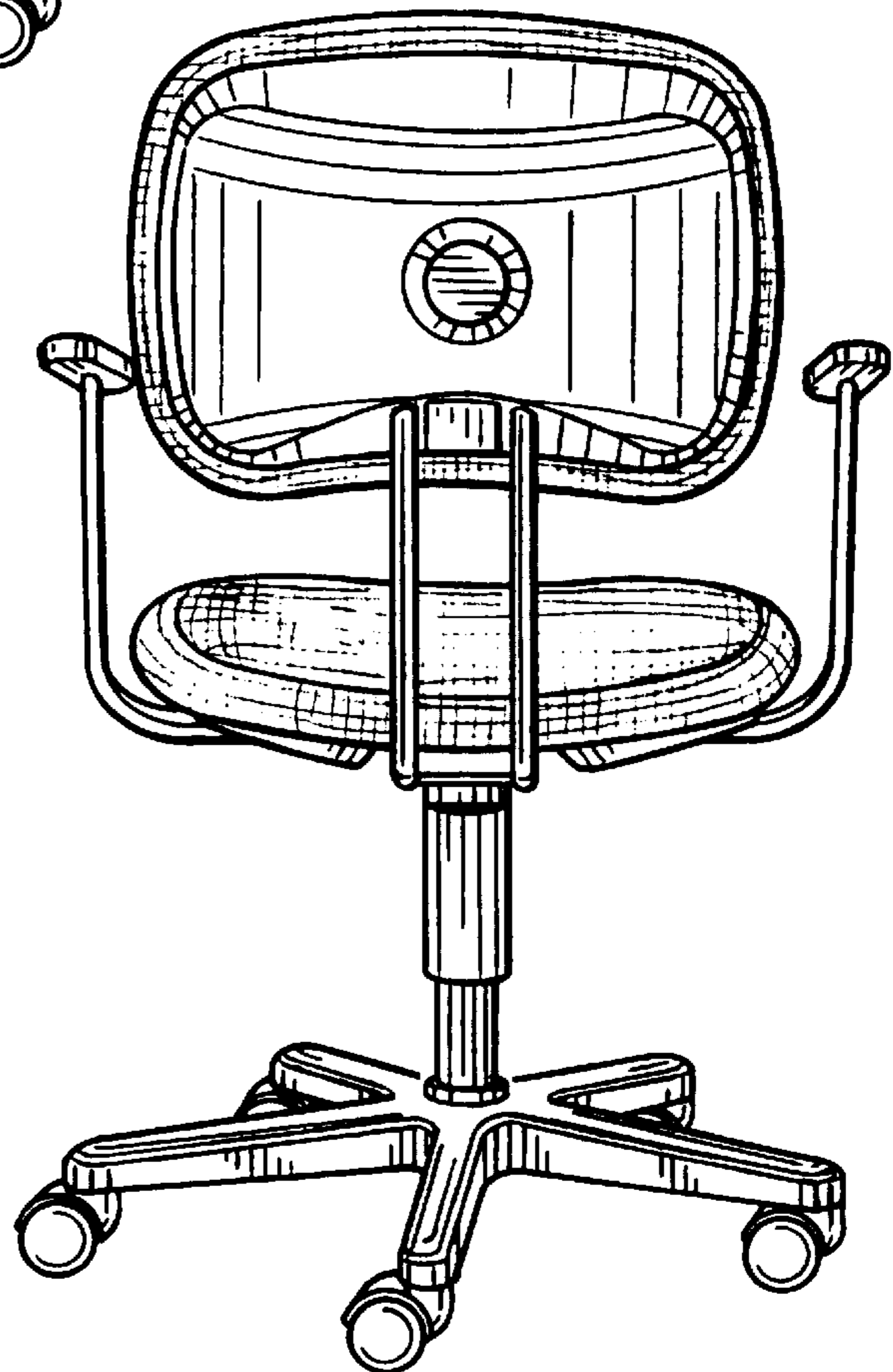


FIG. 4

FIG. 5

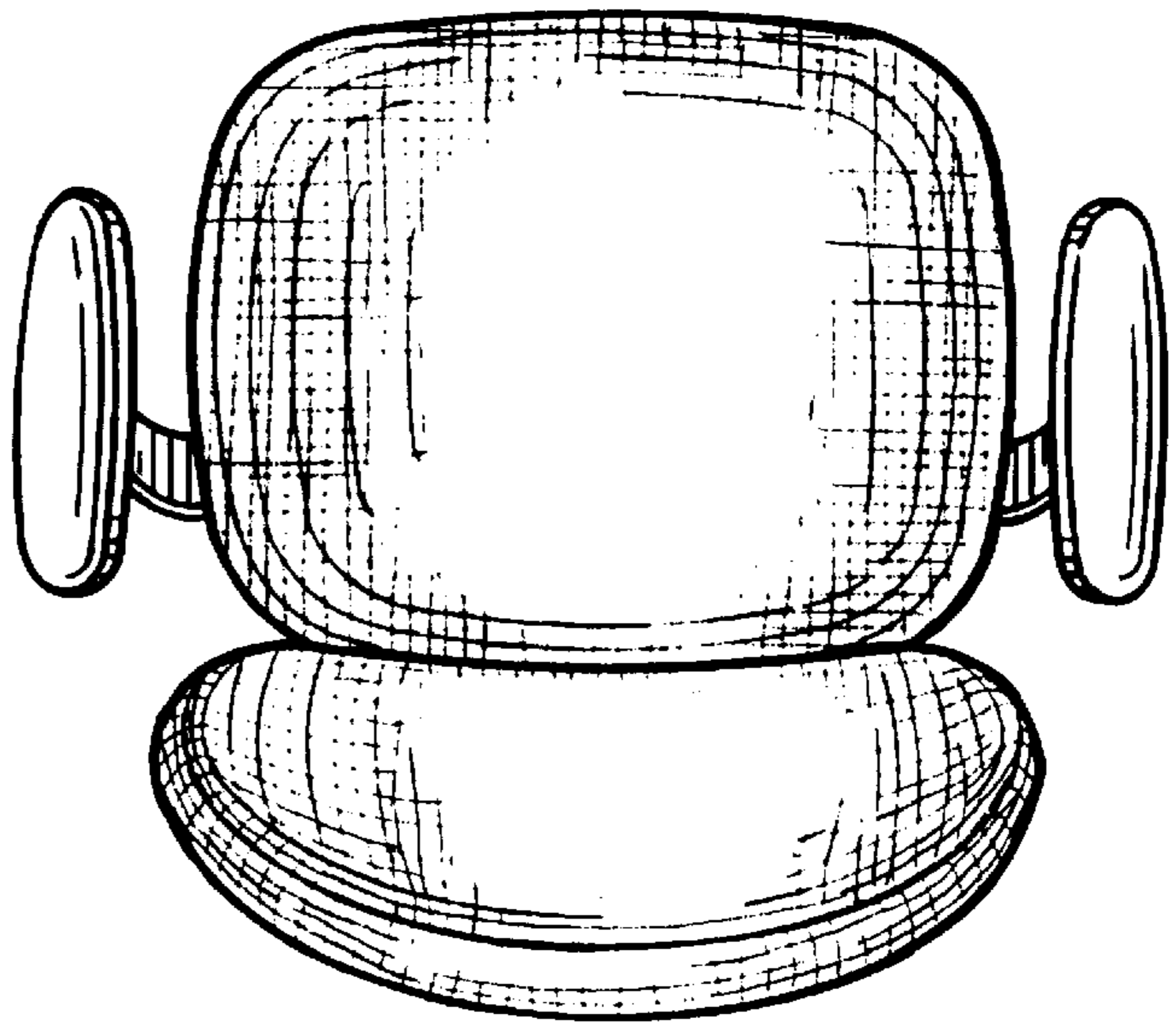


FIG. 6

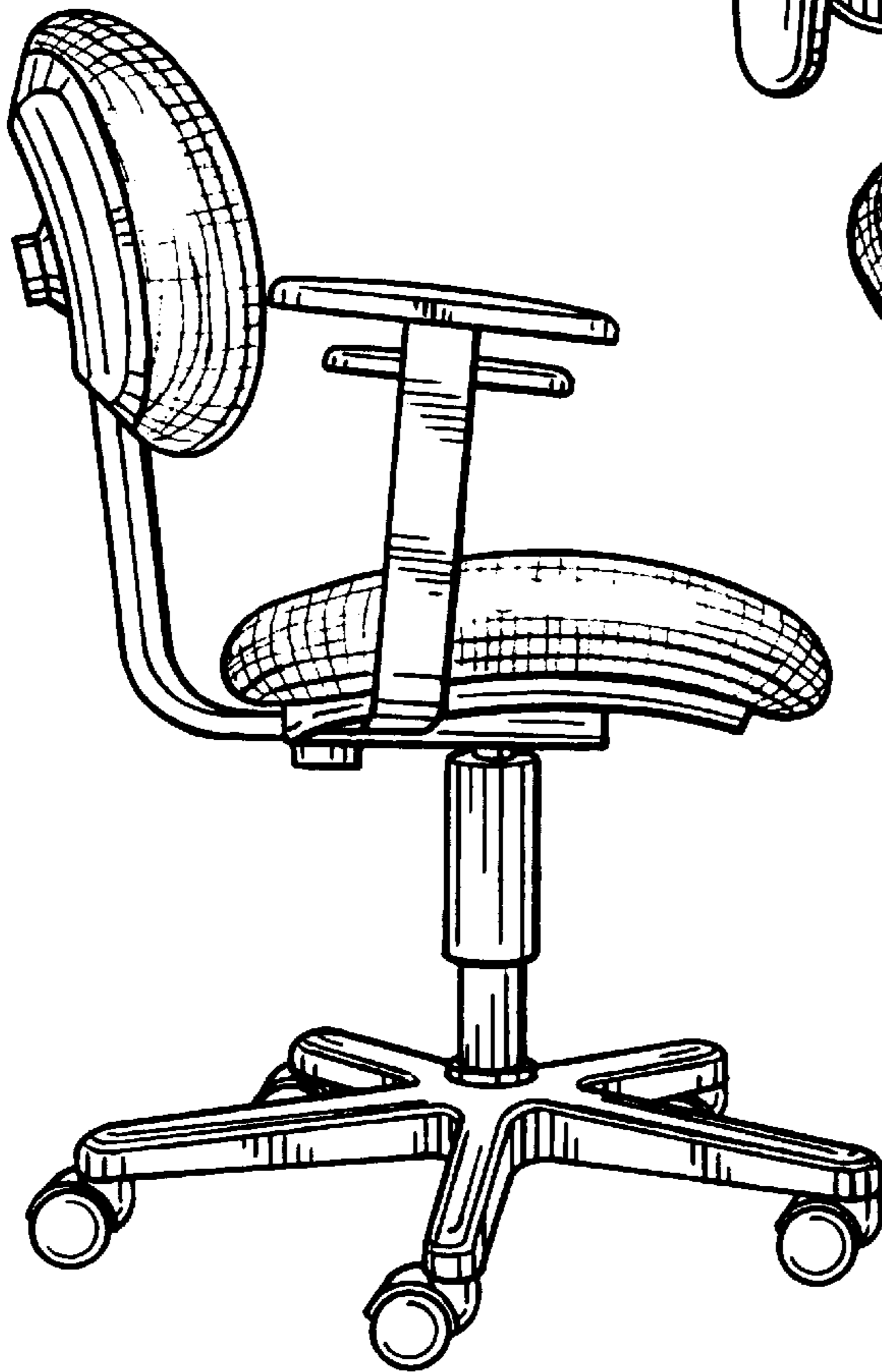


FIG. 7

