



US00D420223S

United States Patent [19]

[11] Patent Number: **Des. 420,223**

Chipman et al.

[45] Date of Patent: **** Feb. 8, 2000**

[54] **WALL STRUCTURE**

[75] Inventors: **Robert G. Chipman**, Austin, Tex.;
Brian J. Kane, San Francisco, Calif.;
Arno R. Yurk, Kalamazoo, Mich.

[73] Assignee: **Landscape Forms, Inc.**, Kalamazoo, Mich.

[**] Term: **14 Years**

[21] Appl. No.: **29/098,200**

[22] Filed: **Dec. 23, 1998**

[51] **LOC (7) Cl.** **06-06**

[52] **U.S. Cl.** **D6/332**

[58] **Field of Search** D6/332, 449, 396,
D6/397, 466-468, 300, 301; D25/58; 40/605,
606, 124-124.4; 160/135, 351-353; D20/41;
52/36.1, 239, 282.2

[56] **References Cited**

U.S. PATENT DOCUMENTS

D. 200,851	4/1965	Wise	D15/1
D. 256,138	7/1980	Tesar	D20/10
D. 260,059	8/1981	Vorwerck	D6/54
334,584	1/1886	Haynes	.	
D. 338,073	8/1993	Wall	D25/56
536,131	3/1895	Coldwell	.	
2,128,539	8/1938	Roach	108/1
3,195,274	7/1965	Utig	50/49

3,303,851	2/1967	Grunfeld	135/7.1
4,621,865	11/1986	Herrera	297/157
4,796,391	1/1989	Lu	52/73
5,185,972	2/1993	Markiewicz	52/63
5,200,240	4/1993	Baker	428/34.1
5,255,897	10/1993	Pepper	256/24
5,524,405	6/1996	Byrd	52/295
5,649,688	7/1997	Baker	256/21

FOREIGN PATENT DOCUMENTS

2589-184	4/1987	France	.
631566	11/1949	United Kingdom	.

Primary Examiner—Doris V. Coles
Assistant Examiner—Linda Brooks
Attorney, Agent, or Firm—Heslin & Rothenberg, P.C.

[57] **CLAIM**

The ornamental design for a wall structure, as shown and described.

DESCRIPTION

FIG. 1 is an isometric view of the wall structure of our new design;
FIG. 2 is a front elevational view thereof, the rear elevational view being identical thereto;
FIG. 3 is a right side elevational view thereof, the left side image being identical thereto; and
FIG. 4 is a top plan view thereof; and,
FIG. 5 is a bottom plan view thereof.

1 Claim, 4 Drawing Sheets

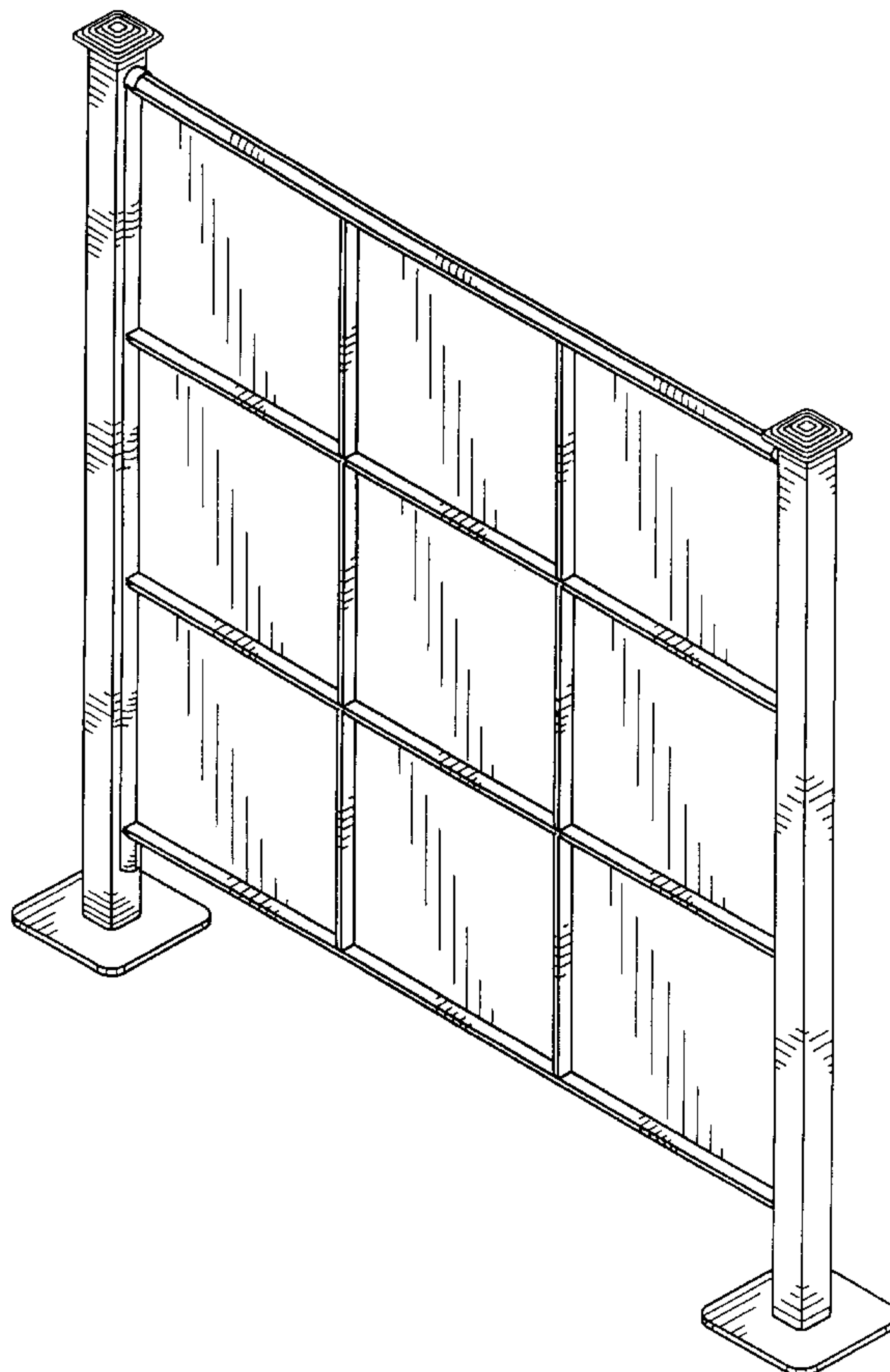


FIG. 1

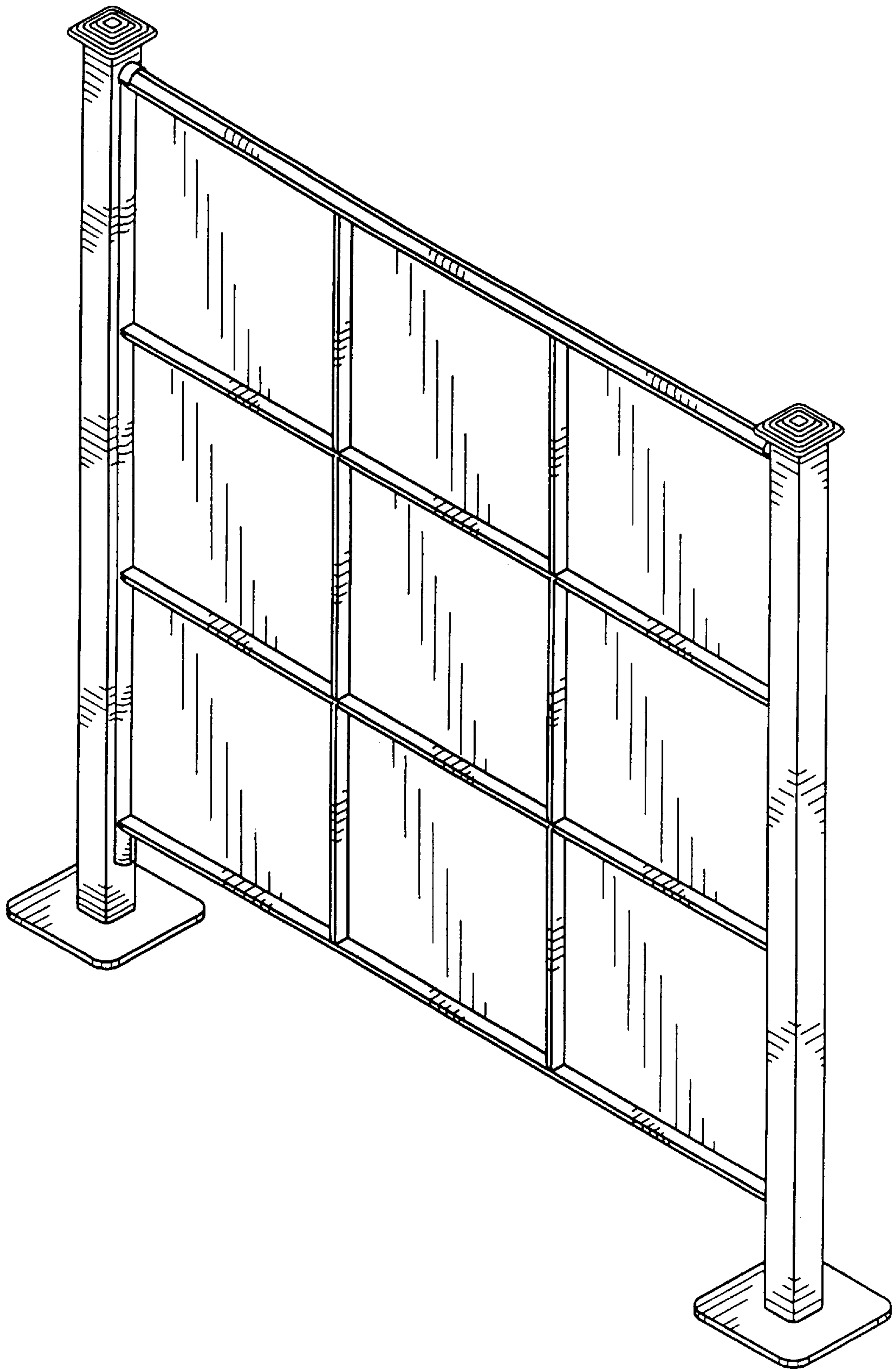


FIG. 2

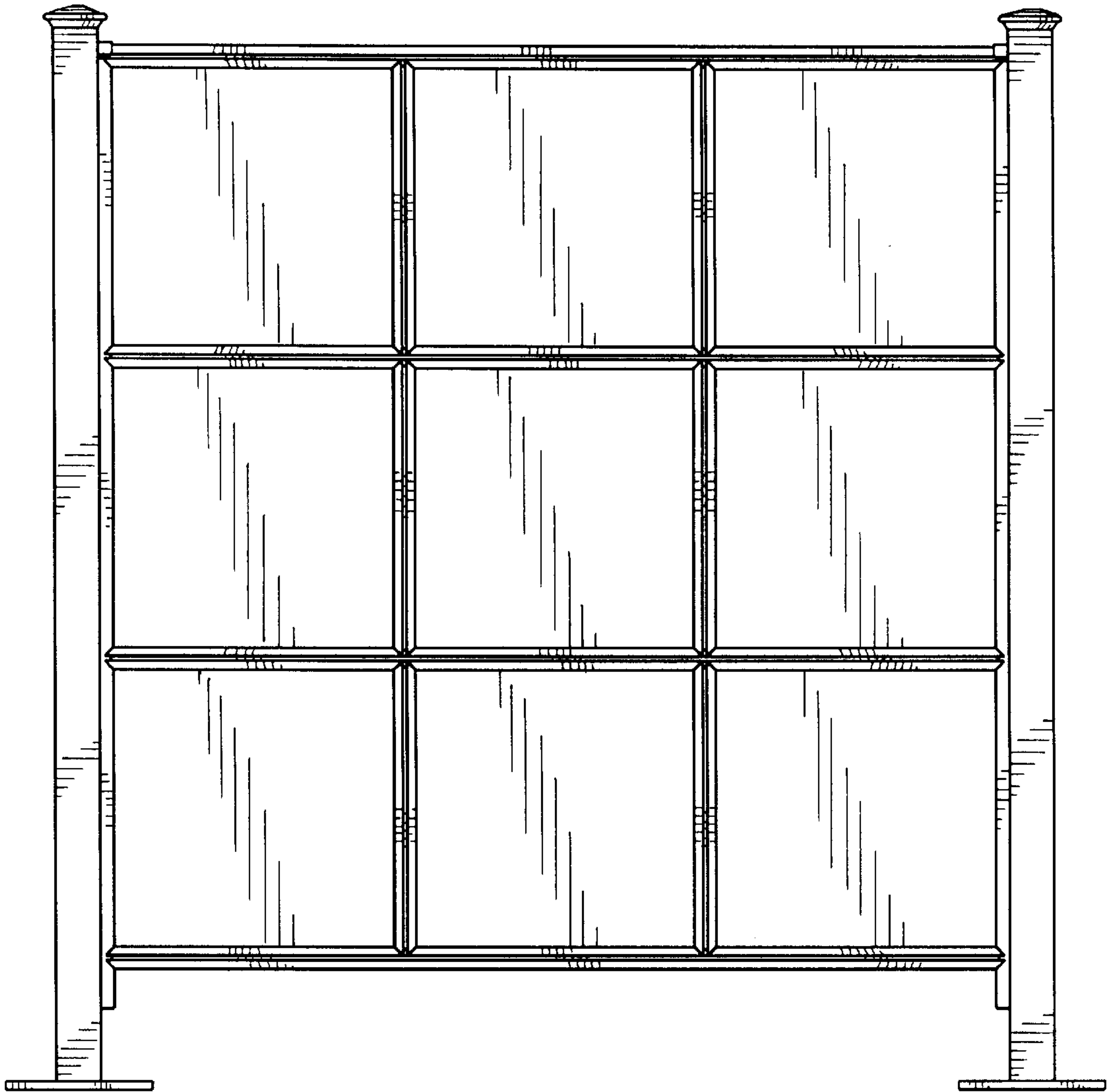
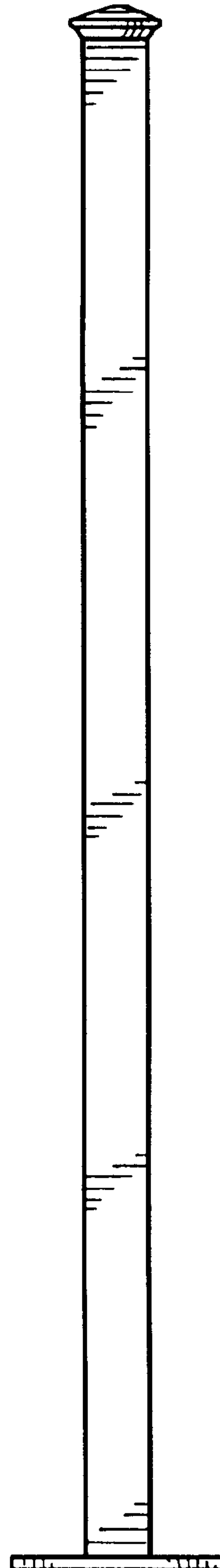


FIG. 3



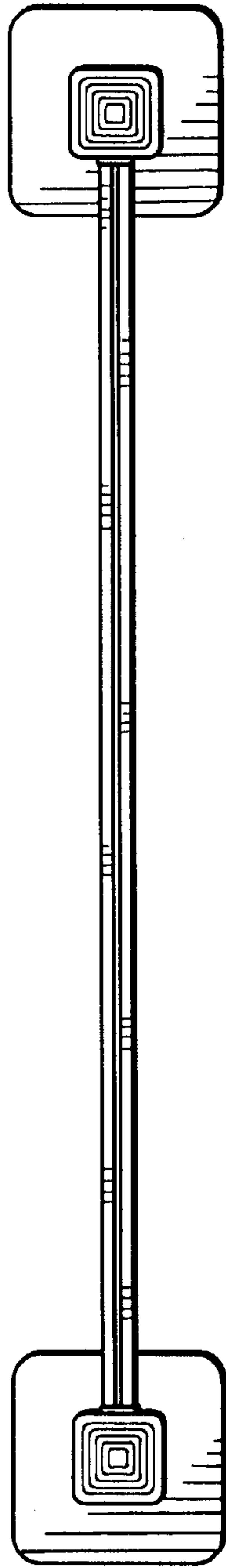


FIG. 4

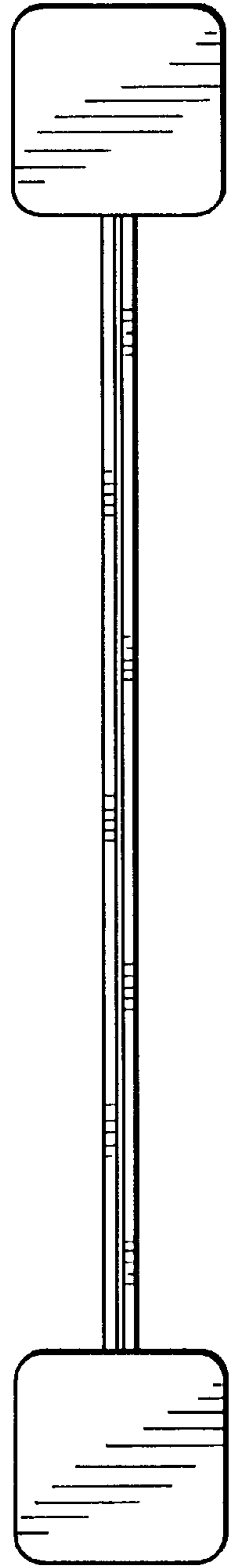


FIG. 5