



US00D420221S

# United States Patent [19]

[11] Patent Number: Des. 420,221

Williams et al.

[45] Date of Patent: \*\* Feb. 8, 2000

## [54] COMBINED CADDY FOR PERSONAL ACCESSORIES WITH BIN AND TRAY ELEMENTS

## DESCRIPTION

[75] Inventors: **Christopher R. Williams**, Grandville;  
**Ronald A. Williams**, Grand Rapids,  
both of Mich.

FIG. 1 is a perspective view of the combined caddy for personal accessories with bin and tray elements showing our new design;

[73] Assignee: **Denali Products, Inc.**, Jenison, Mich.

FIG. 2 is a front elevational view of the caddy of FIG. 1, the rear elevational view being a mirror image thereof;

[\*\*] Term: **14 Years**

FIG. 3 is a side elevational view of the caddy of FIGS. 1 and 2, the opposite side elevation being a mirror image thereof;

[21] Appl. No.: **29/085,919**

FIG. 4 is a top plan view of the caddy of FIGS. 1 to 3;

[22] Filed: **Apr. 1, 1998**

FIG. 5 is a bottom plan view of the caddy of FIGS. 1 to 4;

[51] LOC (7) Cl. .... **03-01**

FIG. 6 is a perspective view of a tray element of the caddy of FIGS. 1 to 5;

[52] U.S. Cl. .... **D3/315**

FIG. 7 is a front elevational view of the caddy tray element of FIG. 6, the rear elevational view being a mirror image thereof;

[58] Field of Search ..... D3/315, 304, 305,  
D3/308, 309, 310, 319, 200, 201, 901,  
905; 206/349, 372, 373, 378; 220/500,  
524; D6/512, 525, 542, 524

FIG. 8 is a side elevational view of the caddy tray element of FIGS. 6 and 7, the opposite side elevation being a mirror image thereof;

## [56] References Cited

FIG. 9 is a top plan view of the caddy tray element of FIGS. 6 to 8;

### U.S. PATENT DOCUMENTS

D. 355,553	2/1995	Tiramani	.....	D6/525
D. 376,477	12/1996	Patterson, Jr.	.....	D3/304
D. 385,111	10/1997	Dickinson et al.	.....	D3/309
D. 386,616	11/1997	Nimer	.....	D3/308

FIG. 10 is a bottom plan view of the caddy tray element of FIGS. 6 to 9;

*Primary Examiner*—Louis S. Zarfes

FIG. 11 is a perspective view of a bin element of the caddy of FIGS. 1 to 5;

*Assistant Examiner*—Catherine R. Oliver

FIG. 12 is a front elevational view of the caddy bin element of FIG. 11, the rear elevational view being a mirror image thereof;

*Attorney, Agent, or Firm*—Rader, Fishman, Grauer & McGarry

FIG. 13 is a side elevational view of the caddy bin element of FIGS. 11 and 12, the opposite side elevation being a mirror image thereof;

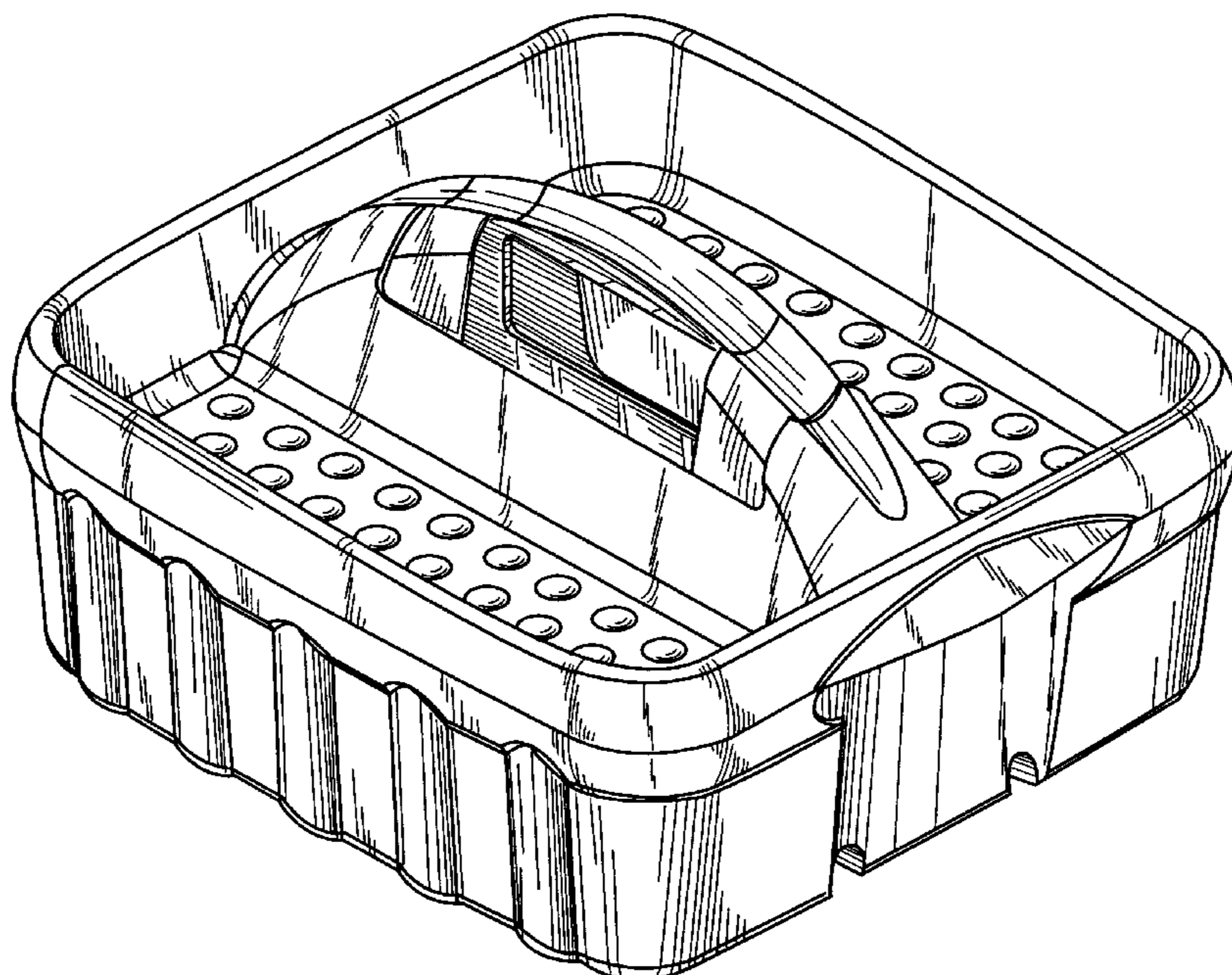
## [57] CLAIM

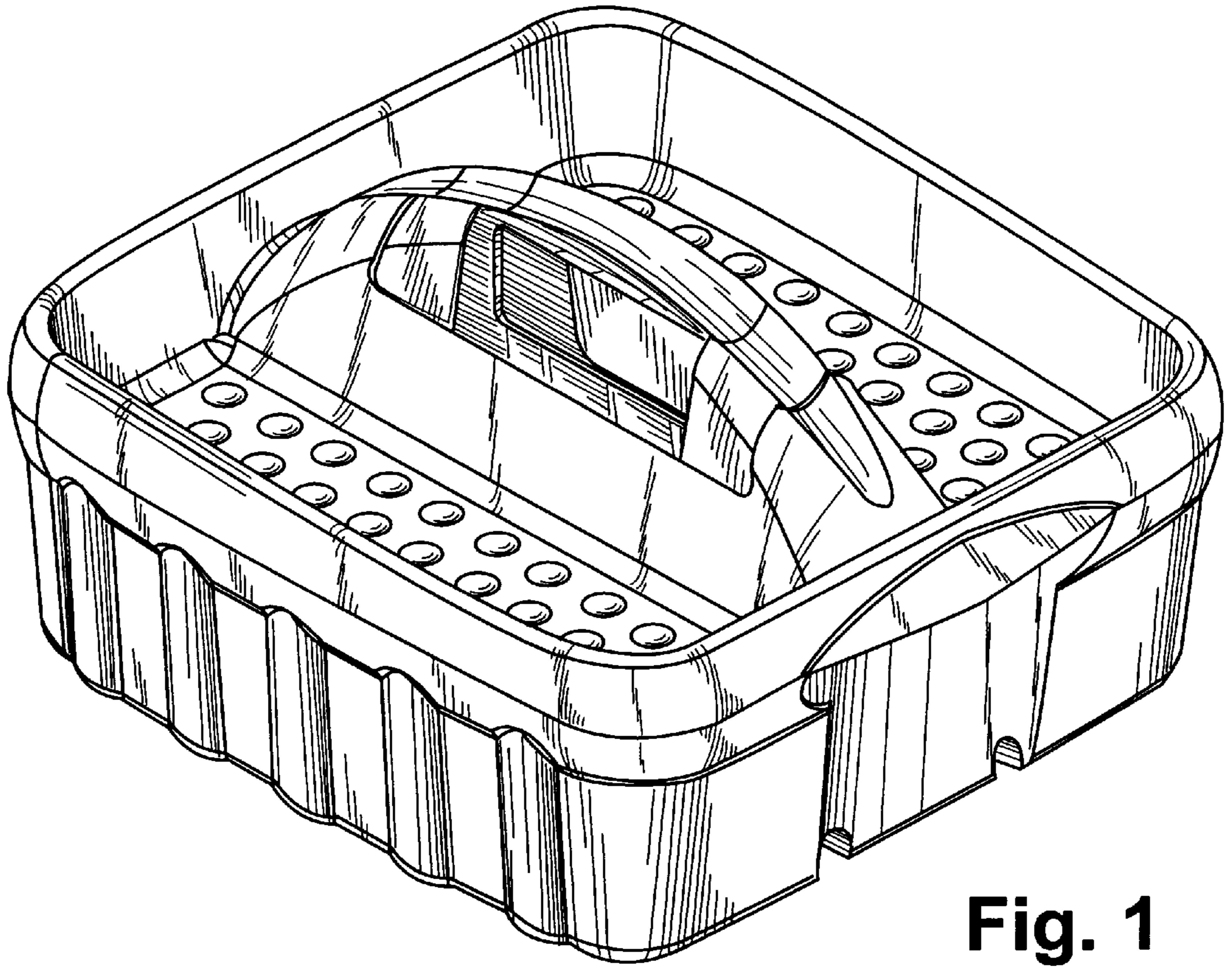
FIG. 14 is a top plan view of the caddy bin element of FIGS. 11 to 13; and,

The ornamental design for a combined caddy for personal accessories with bin and tray elements, as shown and described.

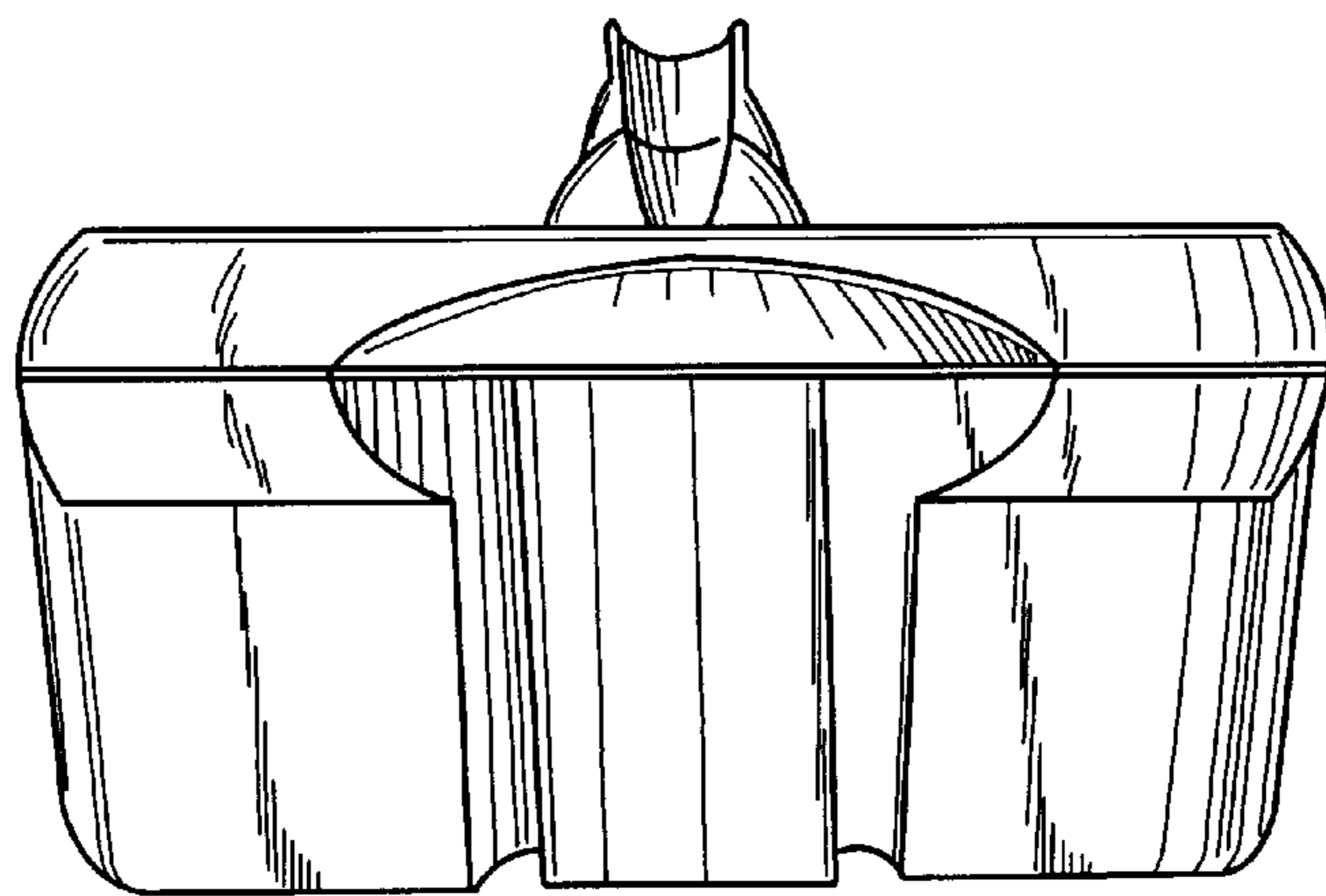
FIG. 15 is a bottom plan view of the caddy bin element of FIGS. 11 to 14.

**1 Claim, 9 Drawing Sheets**

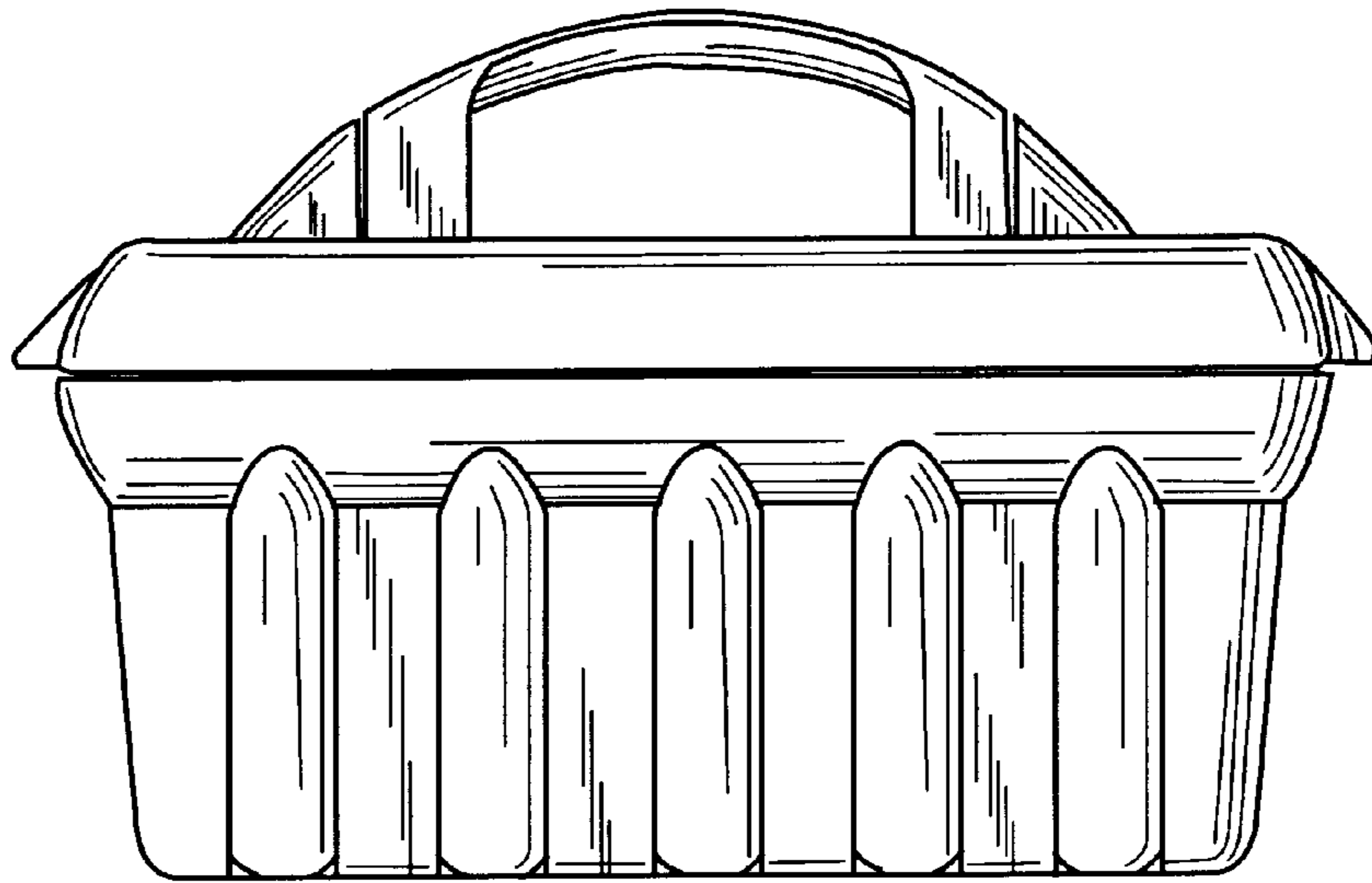




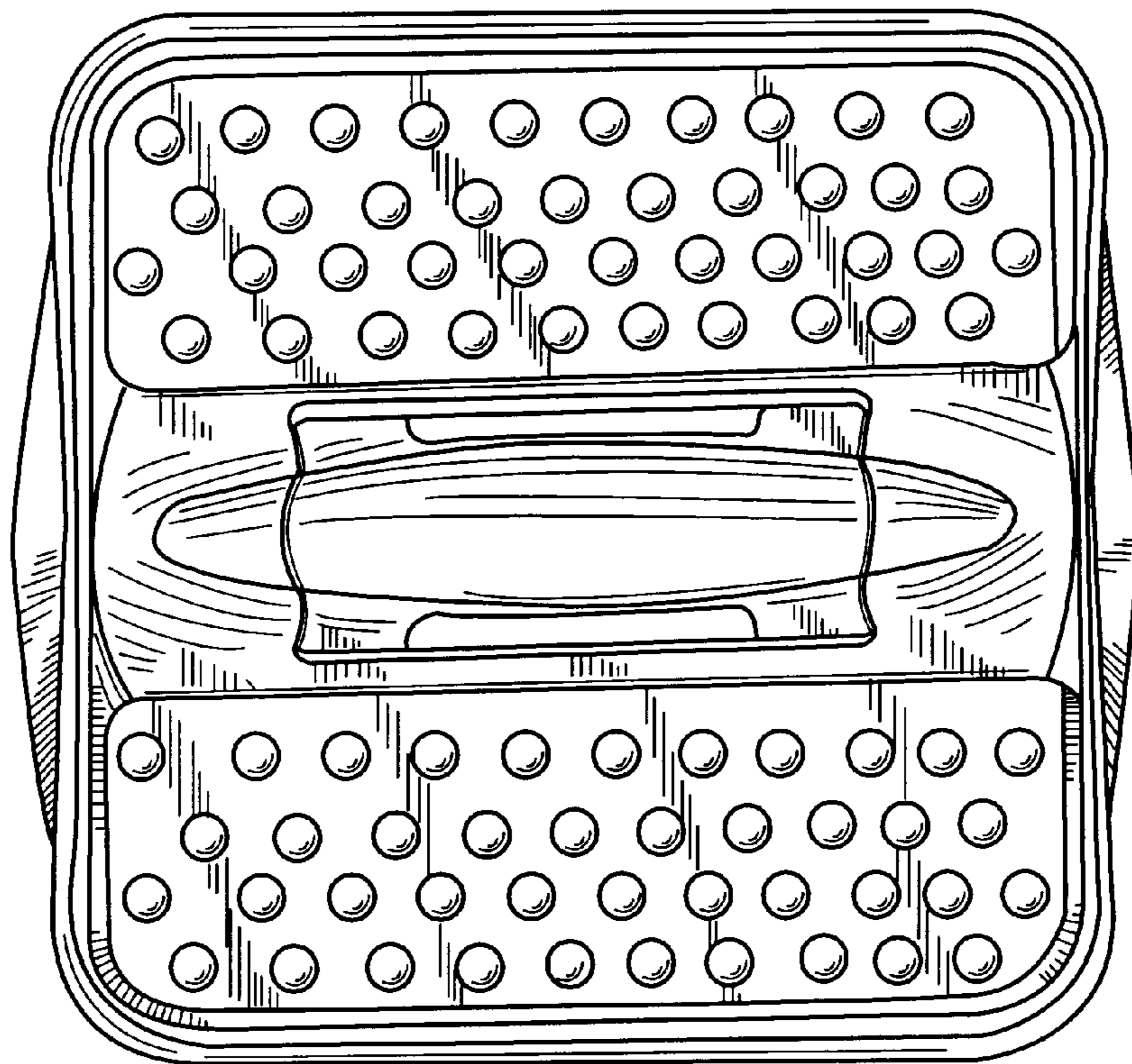
**Fig. 1**



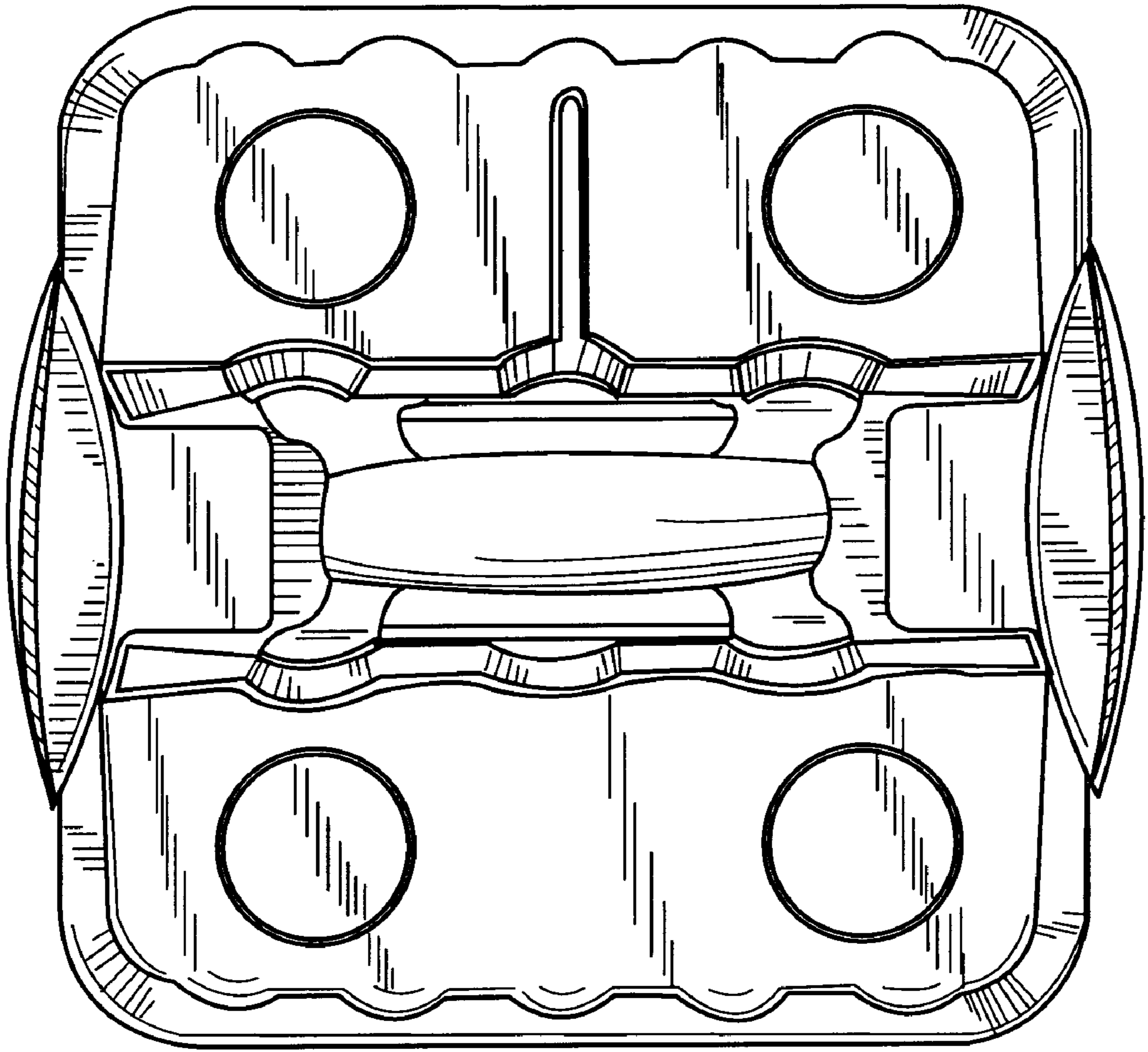
**Fig. 2**



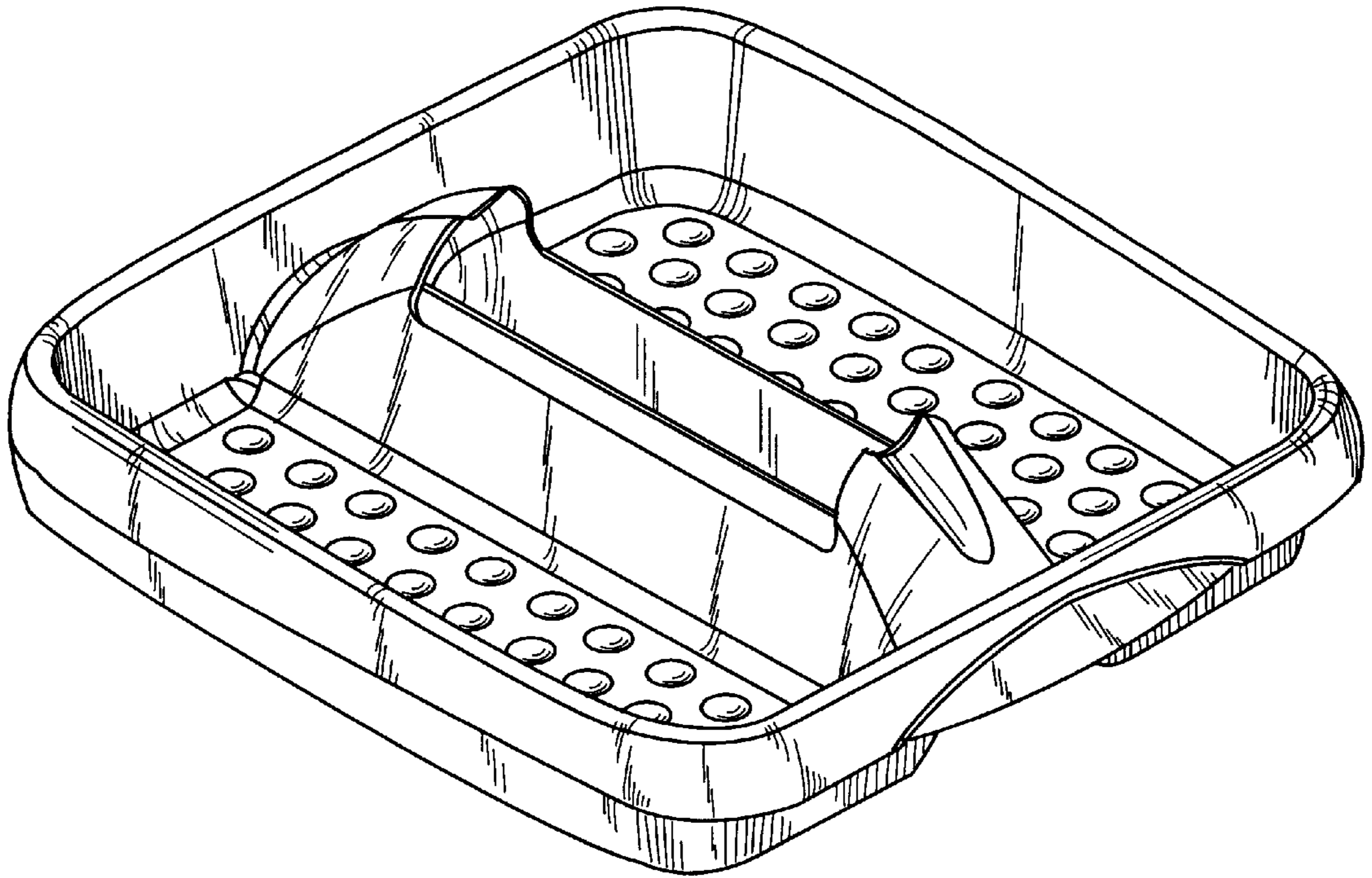
**Fig. 3**



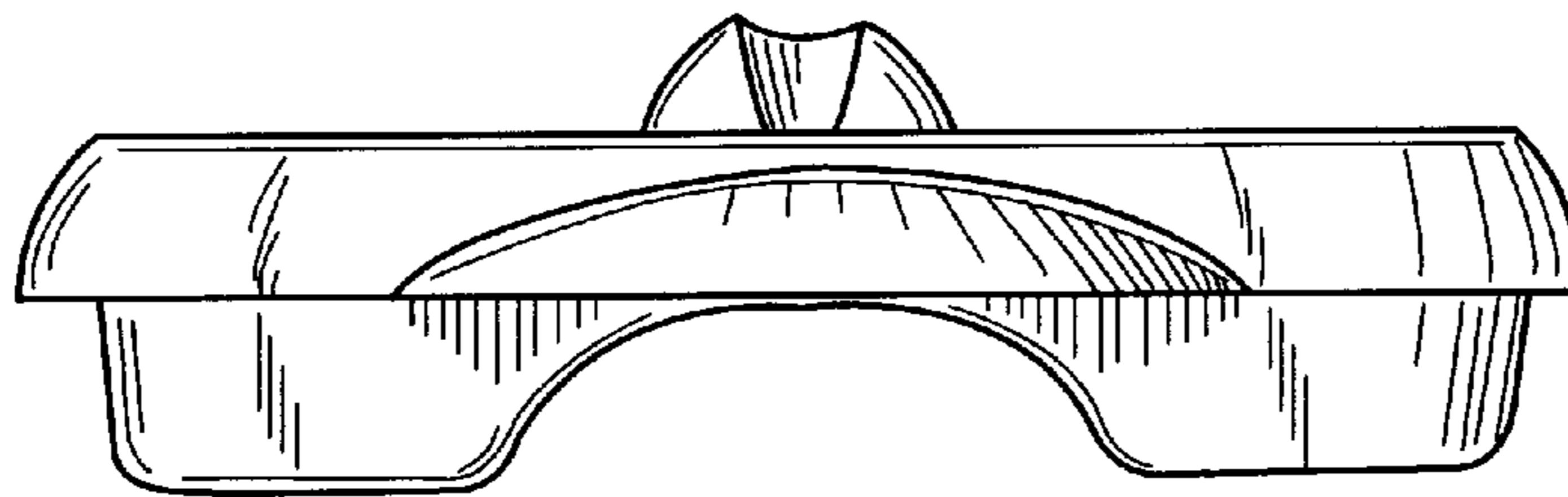
**Fig. 4**



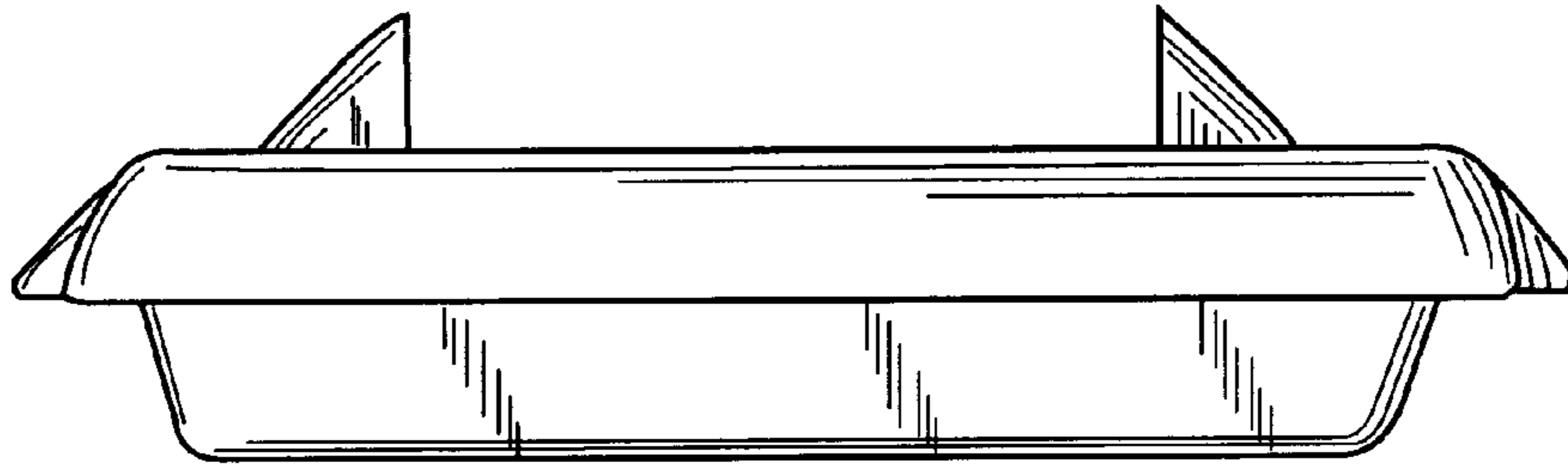
**Fig. 5**



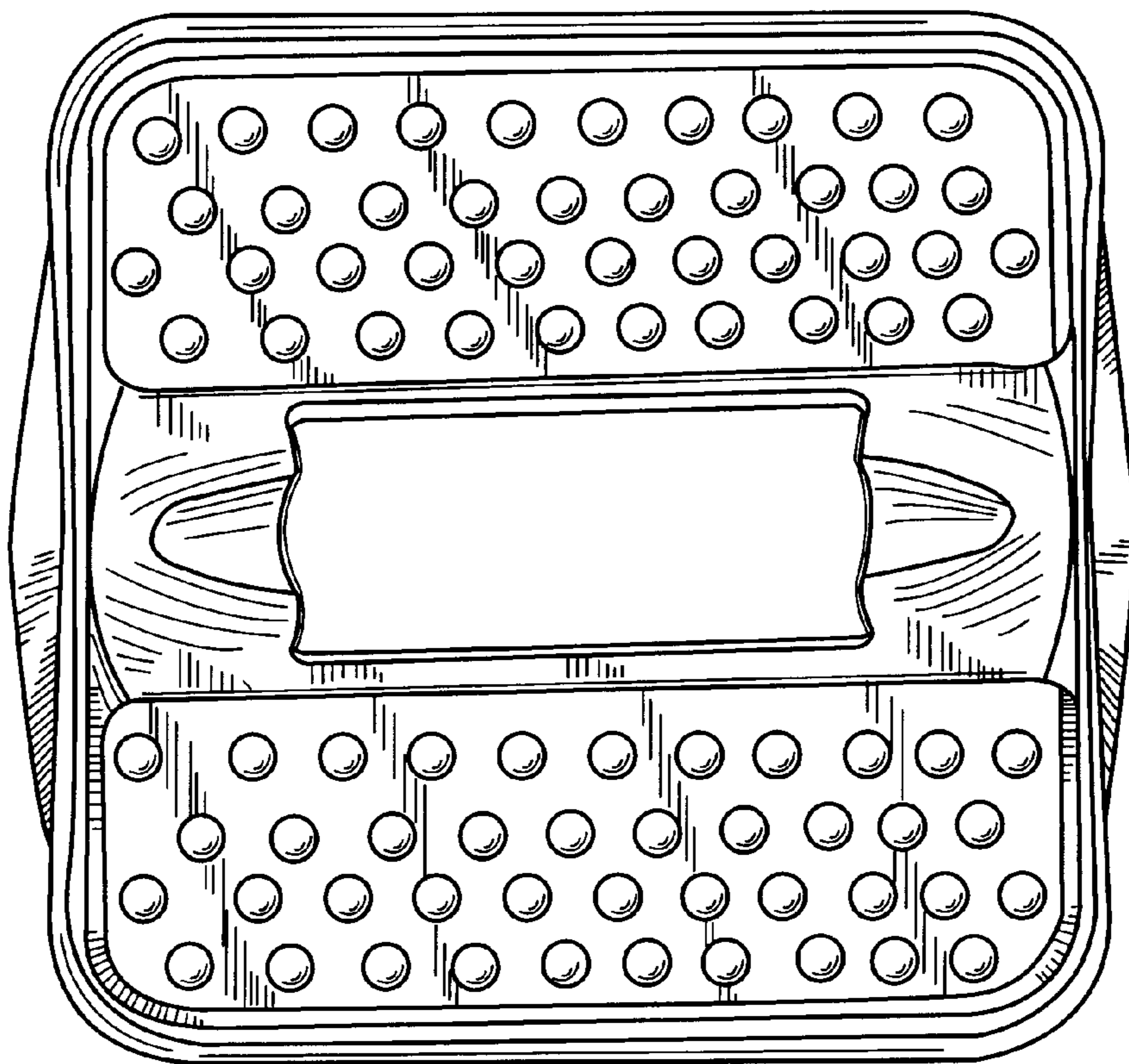
**Fig. 6**



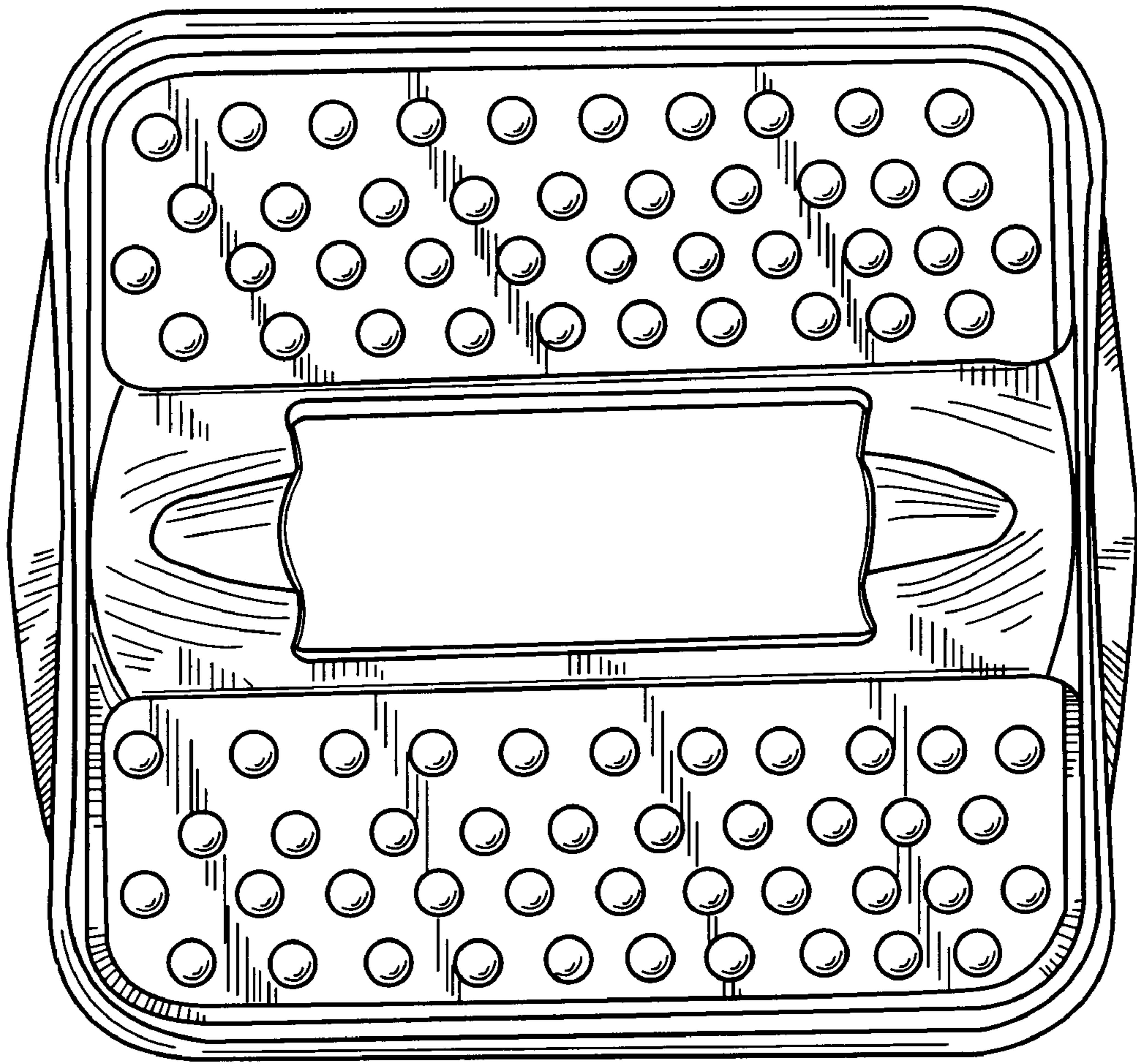
**Fig. 7**



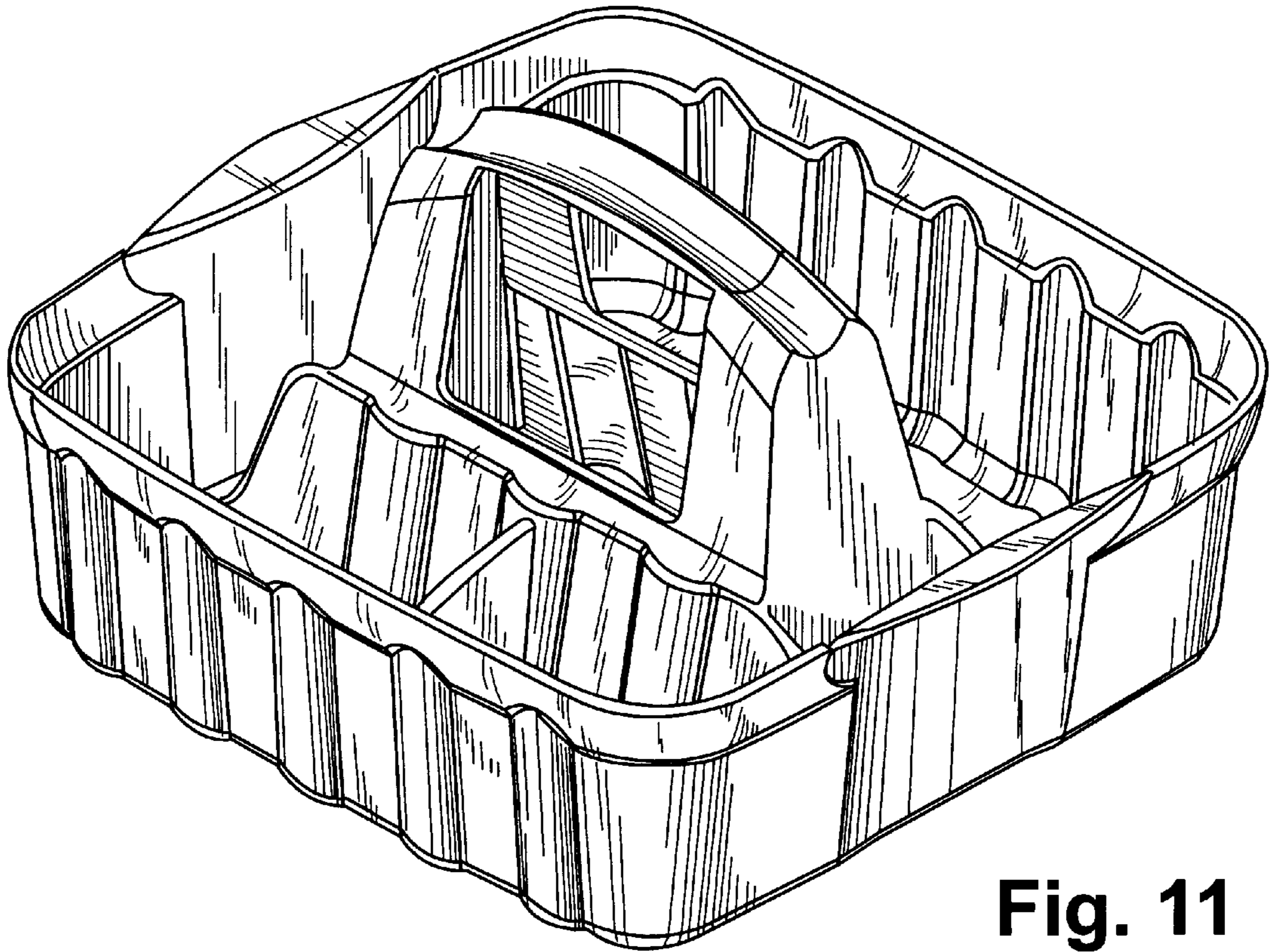
**Fig. 8**



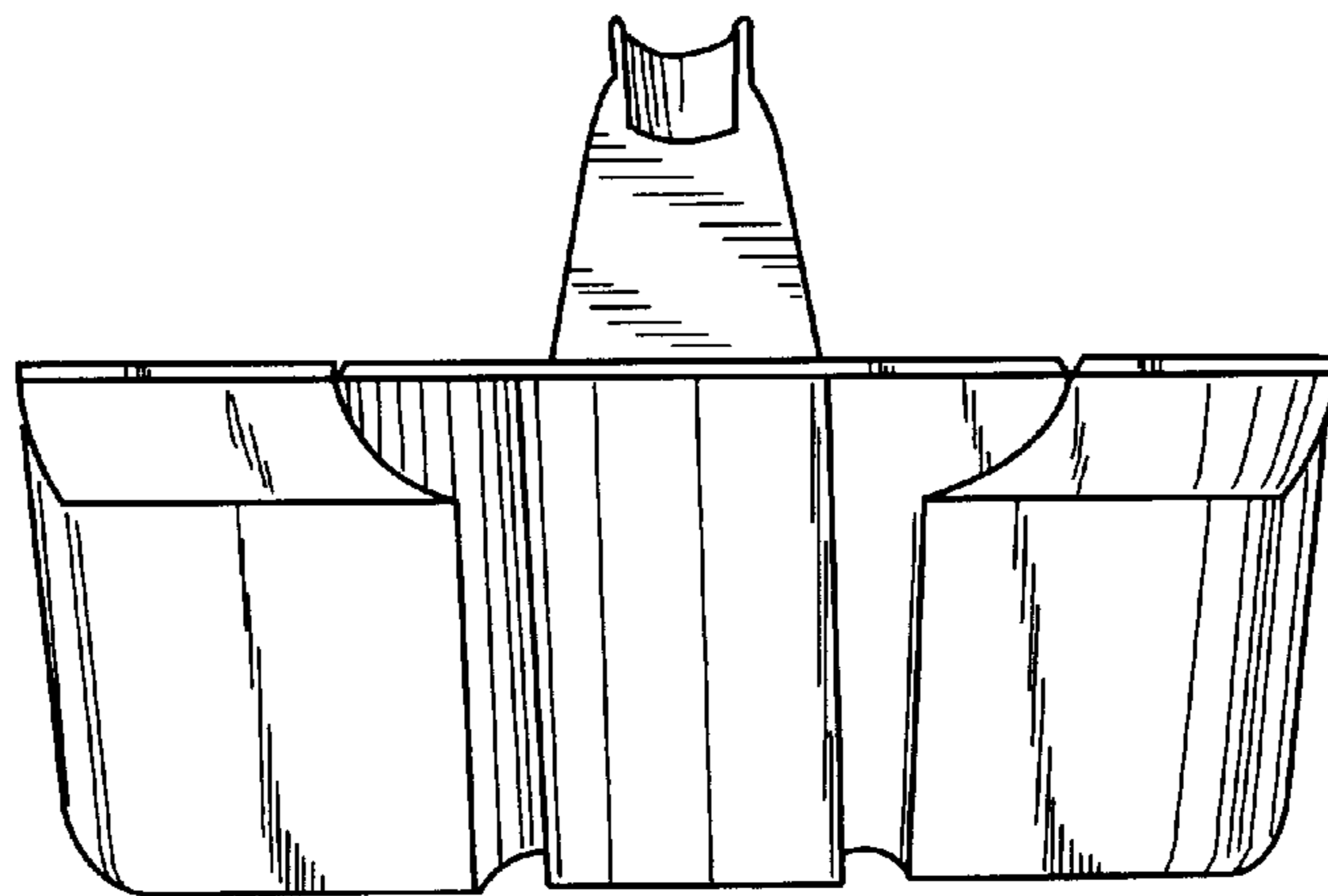
**Fig. 9**



**Fig. 10**

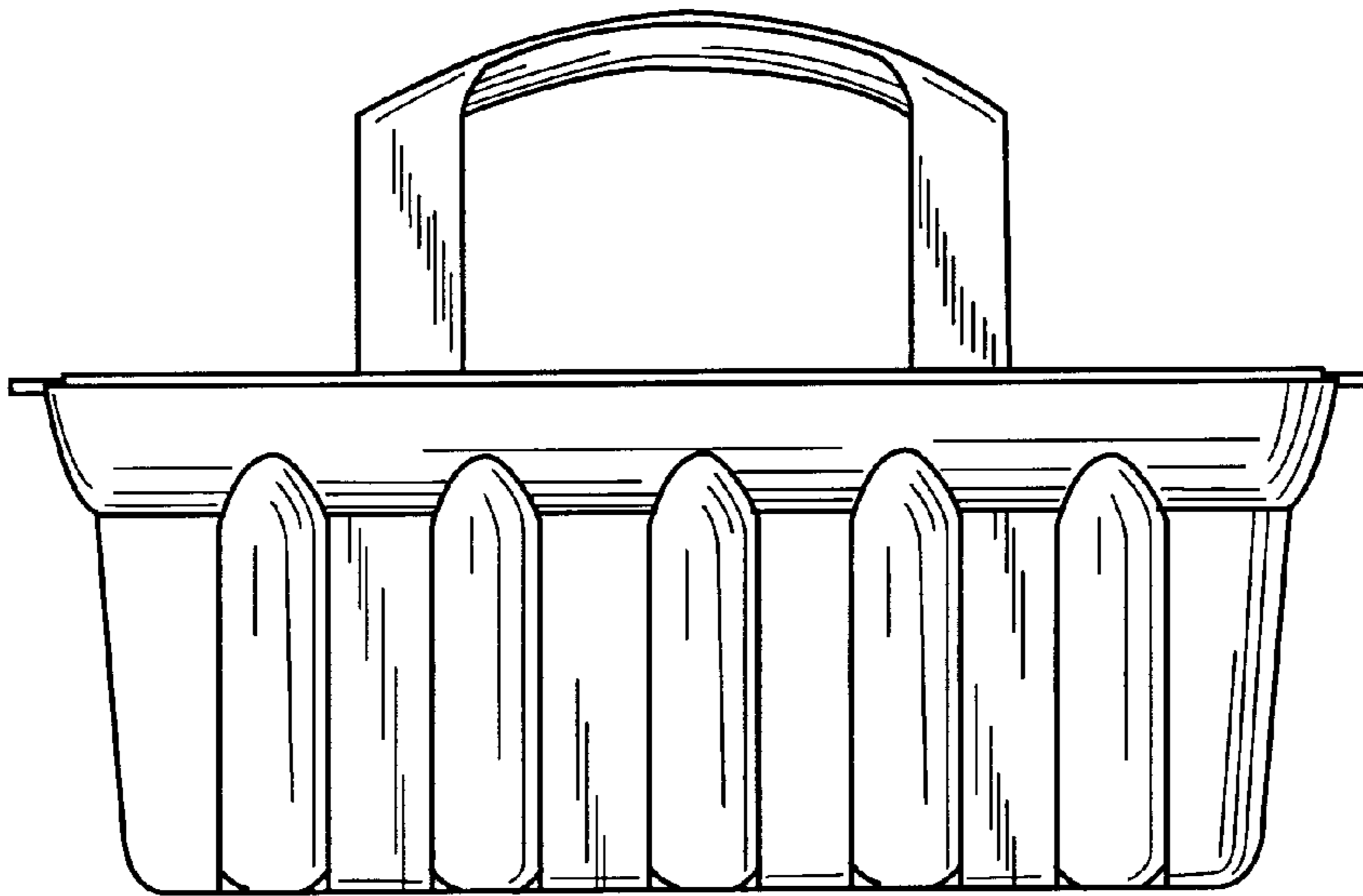


**Fig. 11**

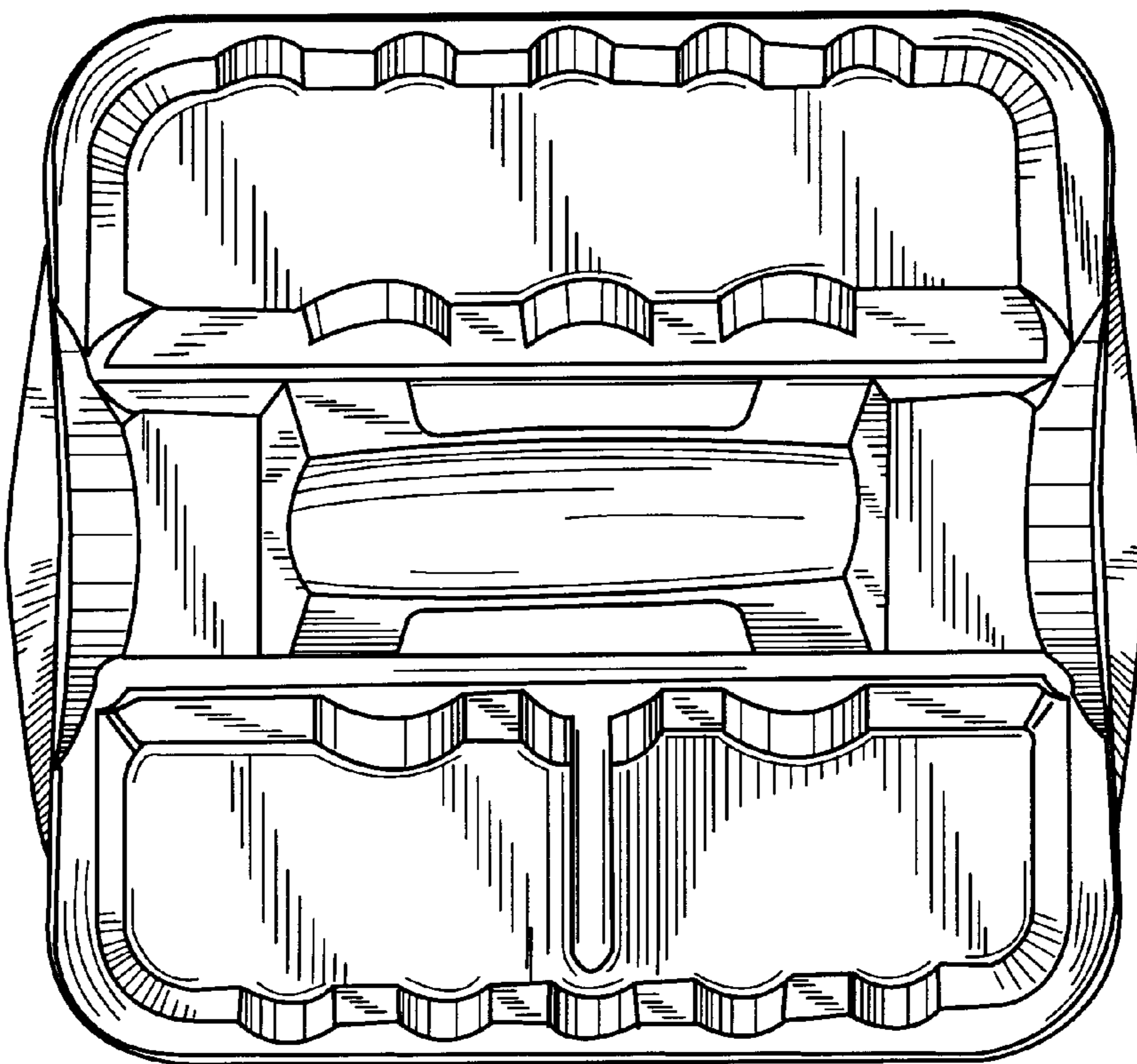


**Fig. 12**

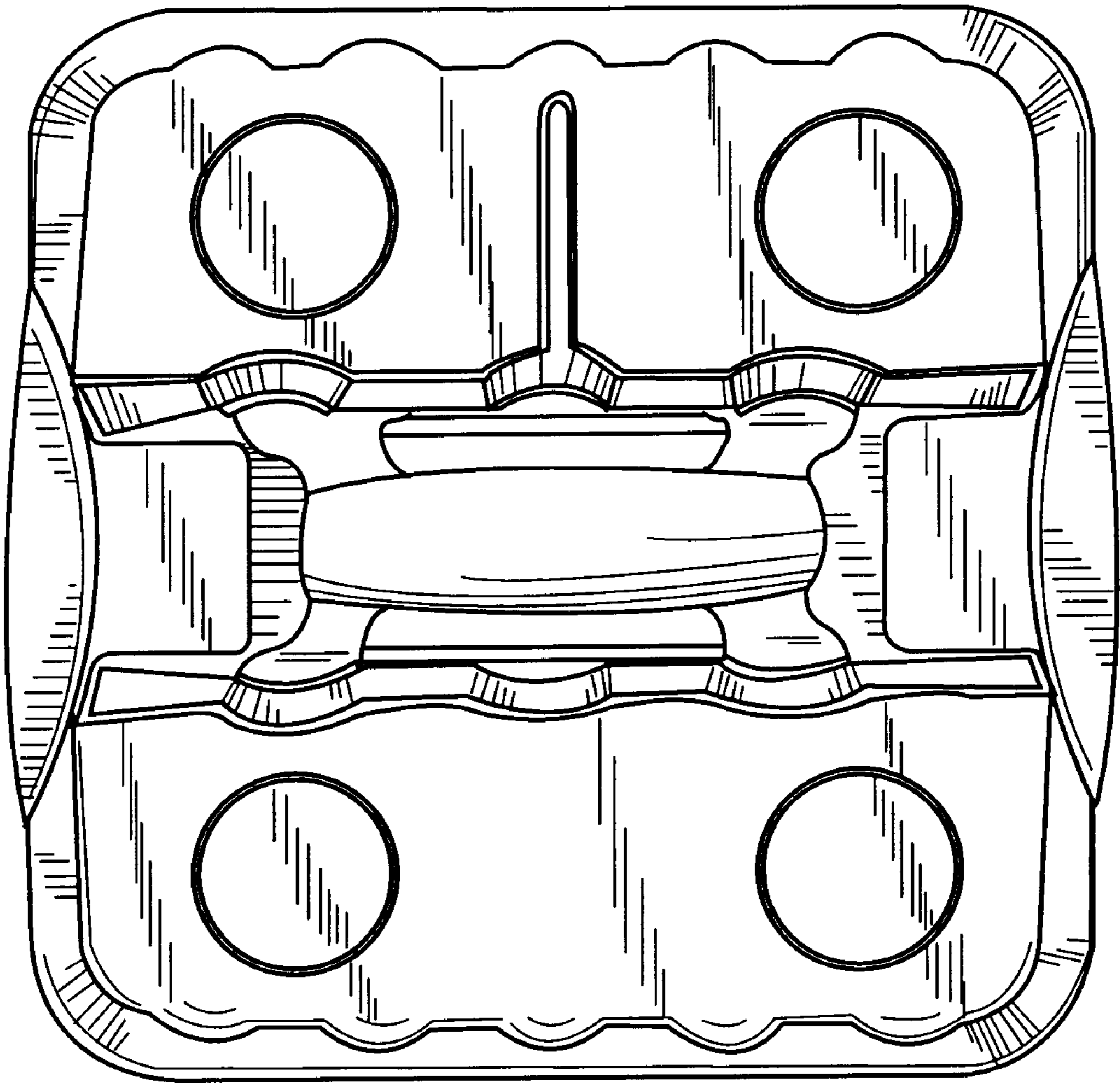




**Fig. 13**



**Fig. 14**



**Fig. 15**