



US00D420213S

United States Patent [19]

Almond, Jr.

[11] Patent Number: Des. 420,213

[45] Date of Patent: ** Feb. 8, 2000

[54] RUBBER PAD FOR CRUTCH LEG

5,056,546 10/1991 Sharp 135/68

[76] Inventor: Cecil A. Almond, Jr., 1301 Hwy. 371, Coushatta, La. 71019

Primary Examiner—Louis S. Zarfes
Assistant Examiner—Catherine R. Oliver
Attorney, Agent, or Firm—John M. Harrison

[**] Term: 14 Years

[57] CLAIM

[21] Appl. No.: 29/101,318

The ornamental design for a “rubber pad for crutch”, as shown and described.

[22] Filed: Mar. 1, 1999

[51] LOC (7) Cl. 03-04

[52] U.S. Cl. D3/10

[58] Field of Search D3/7, 8, 10, 17;
36/66; 248/156, 158; 135/65, 68, 70, 77,
81

DESCRIPTION

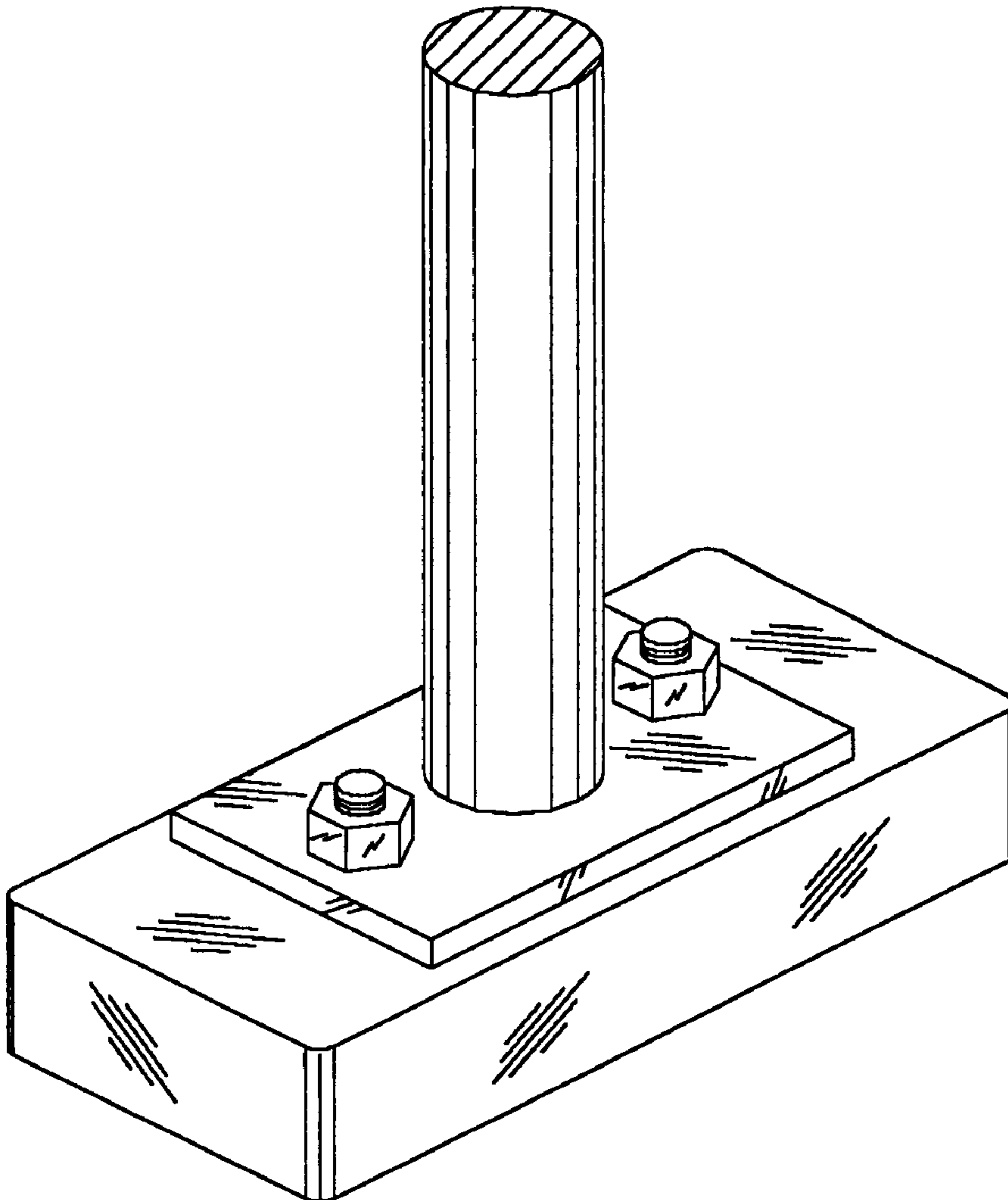
[56] References Cited

U.S. PATENT DOCUMENTS

2,376,282	5/1945	Schroeder	135/81
3,881,504	5/1975	Pfaff	135/70
4,098,283	7/1978	Tritle, Jr.	135/77
4,258,735	3/1981	Mead	135/65

FIG. 1 is a perspective view of the rubber pad for crutch leg showing my new design;
FIG. 2 is a bottom perspective view thereof;
FIG. 3 is a bottom plan view thereof;
FIG. 4 is a front elevation thereof, of which the rear elevation is a mirror image;
FIG. 5 is a right side elevation thereof, of which the left side elevation is a mirror image; and,
FIG. 6 is a top plan view thereof.

1 Claim, 2 Drawing Sheets



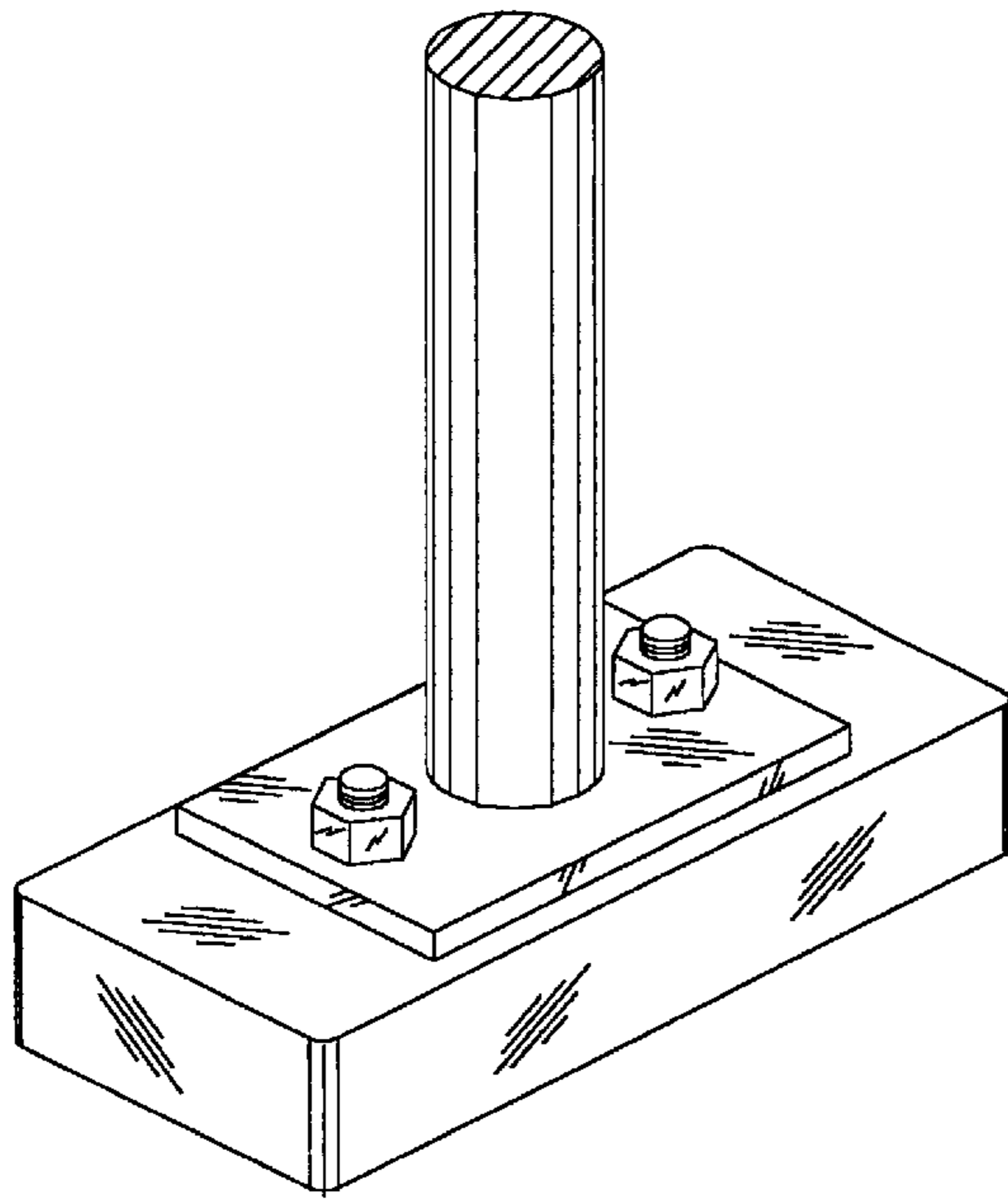


FIG. 1

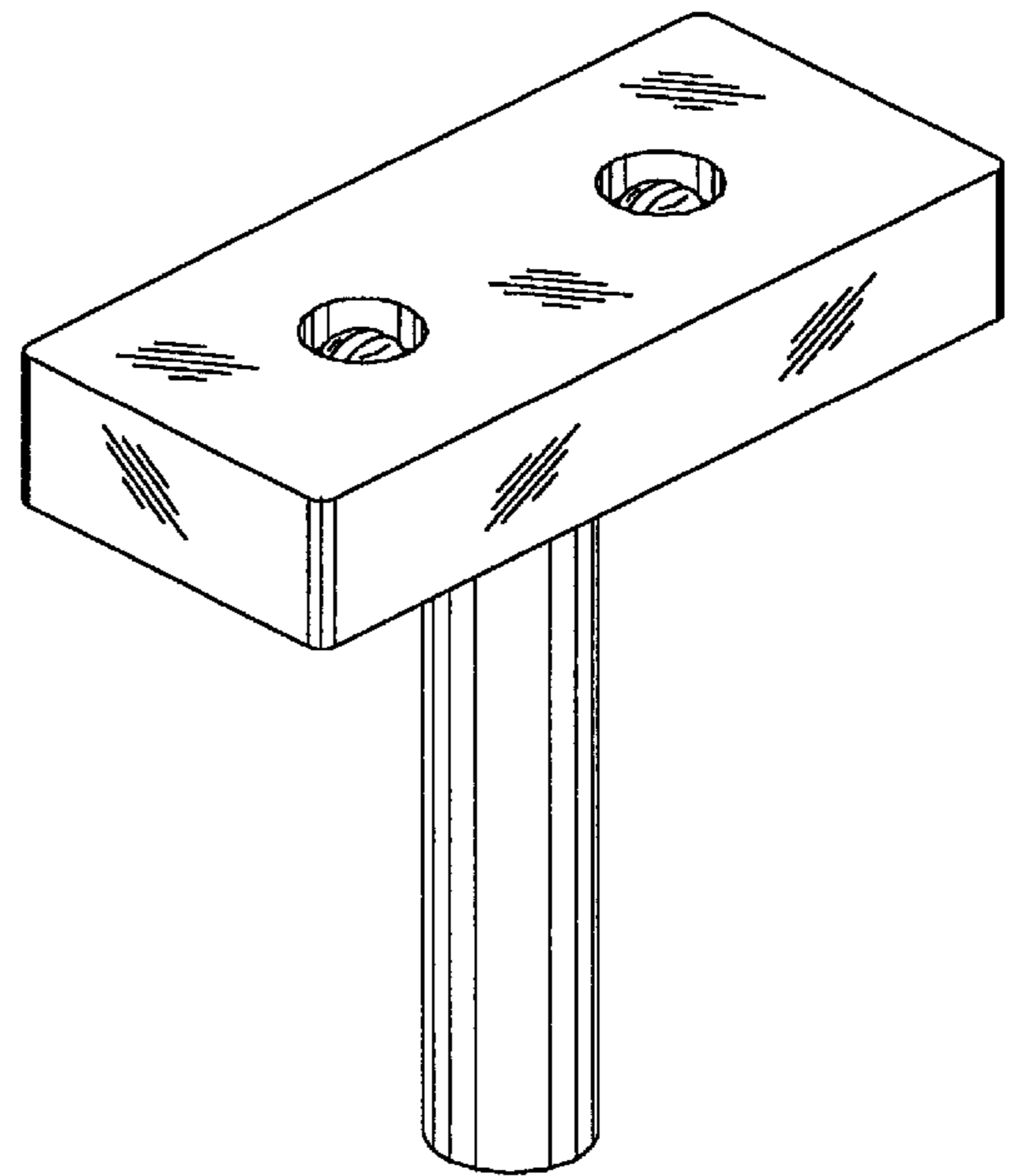


FIG. 2

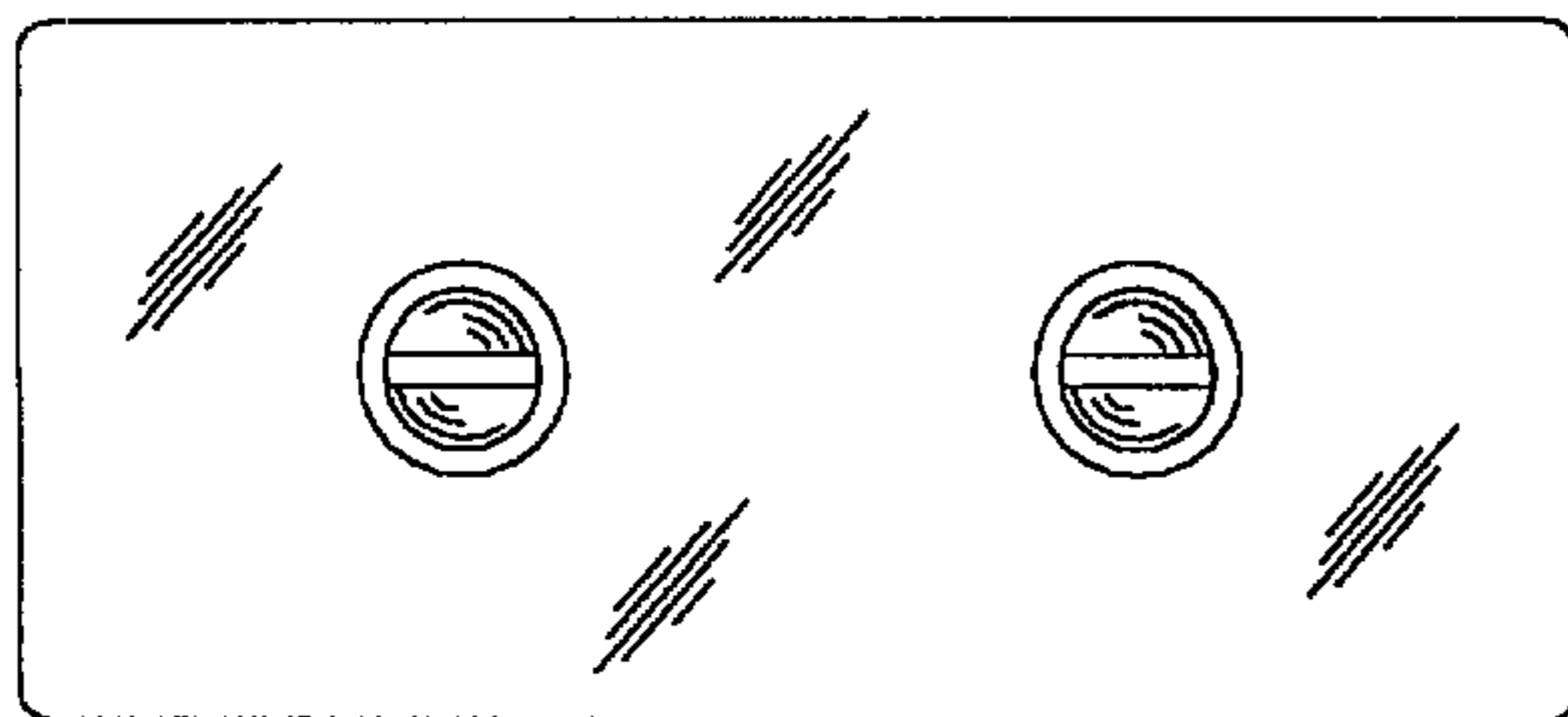


FIG. 3

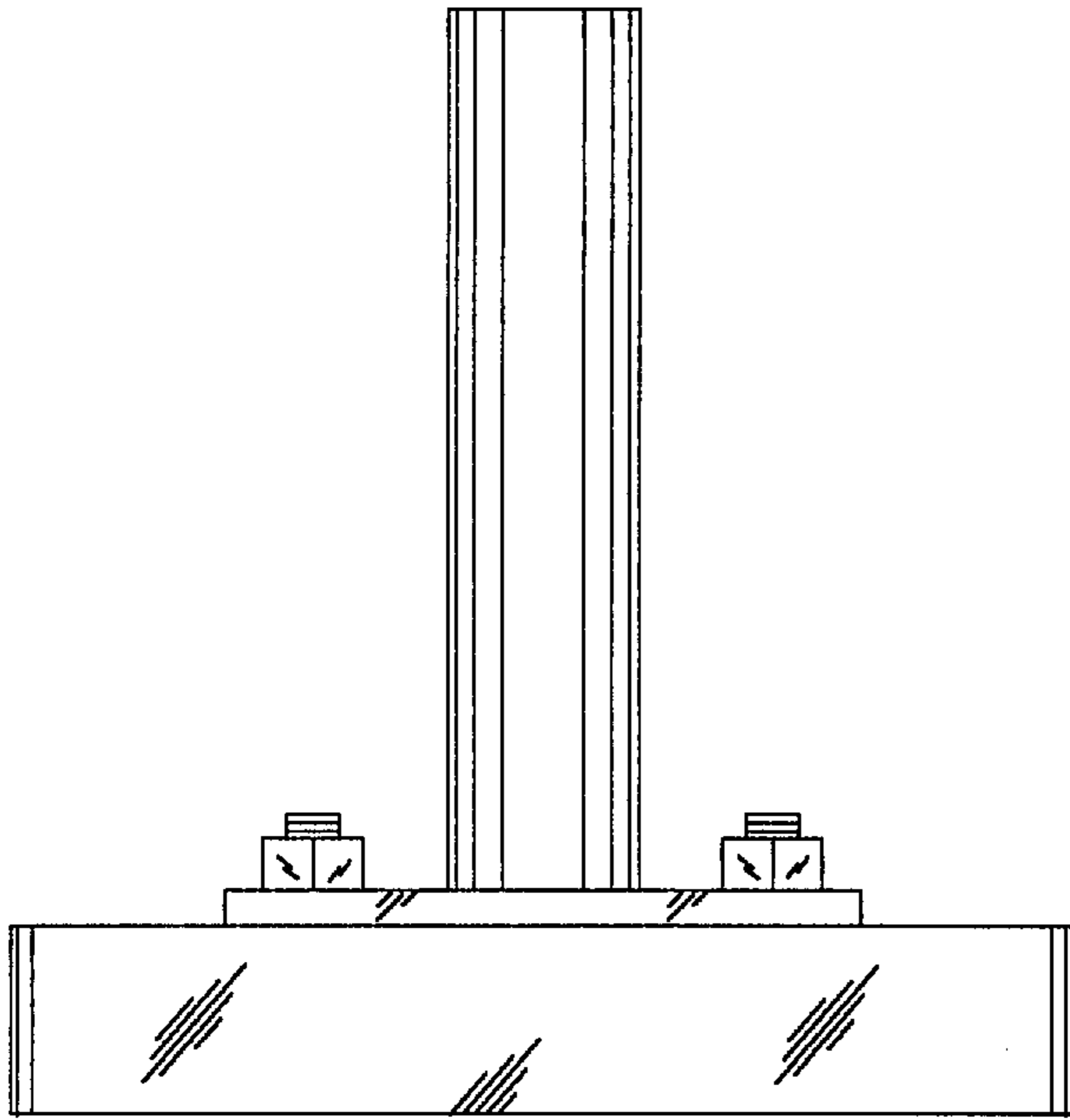


FIG. 4

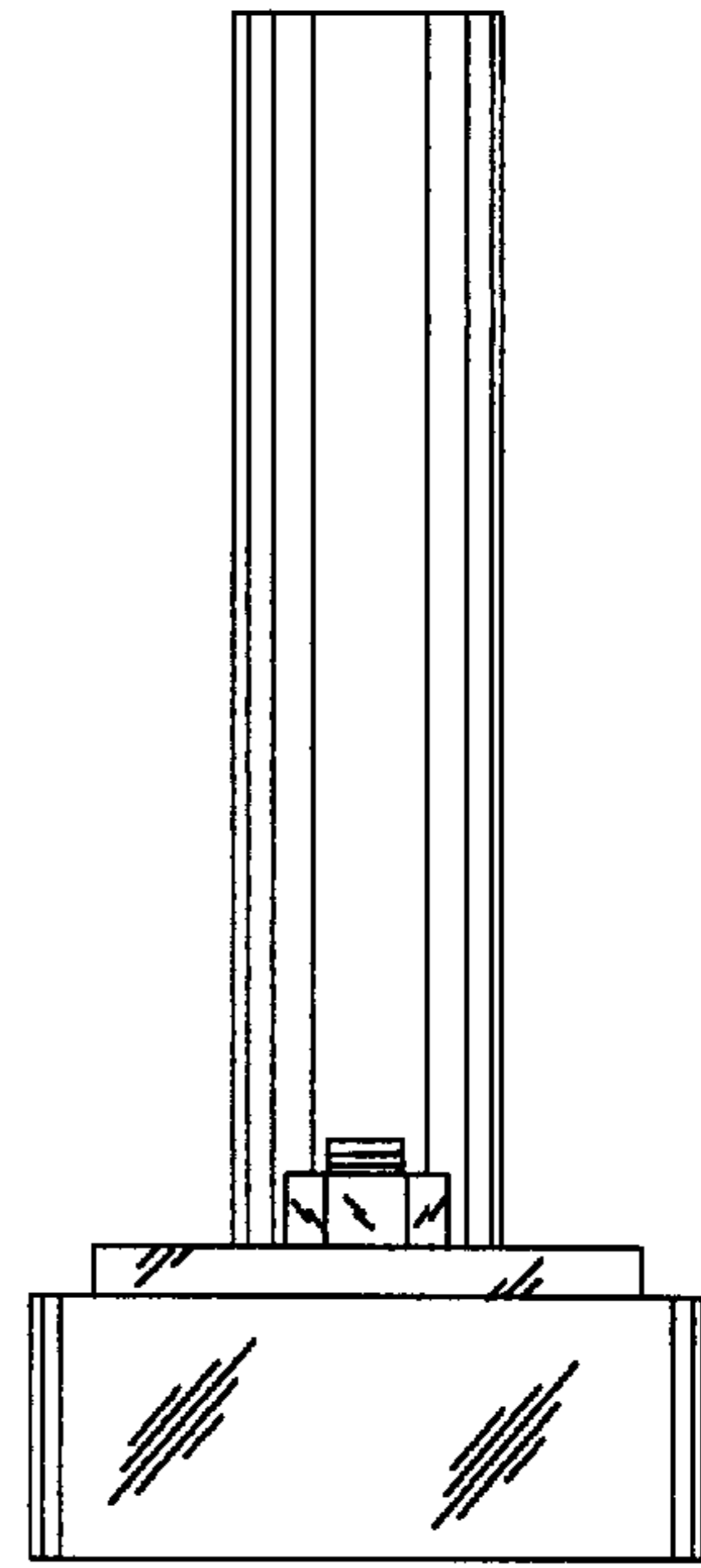


FIG. 5

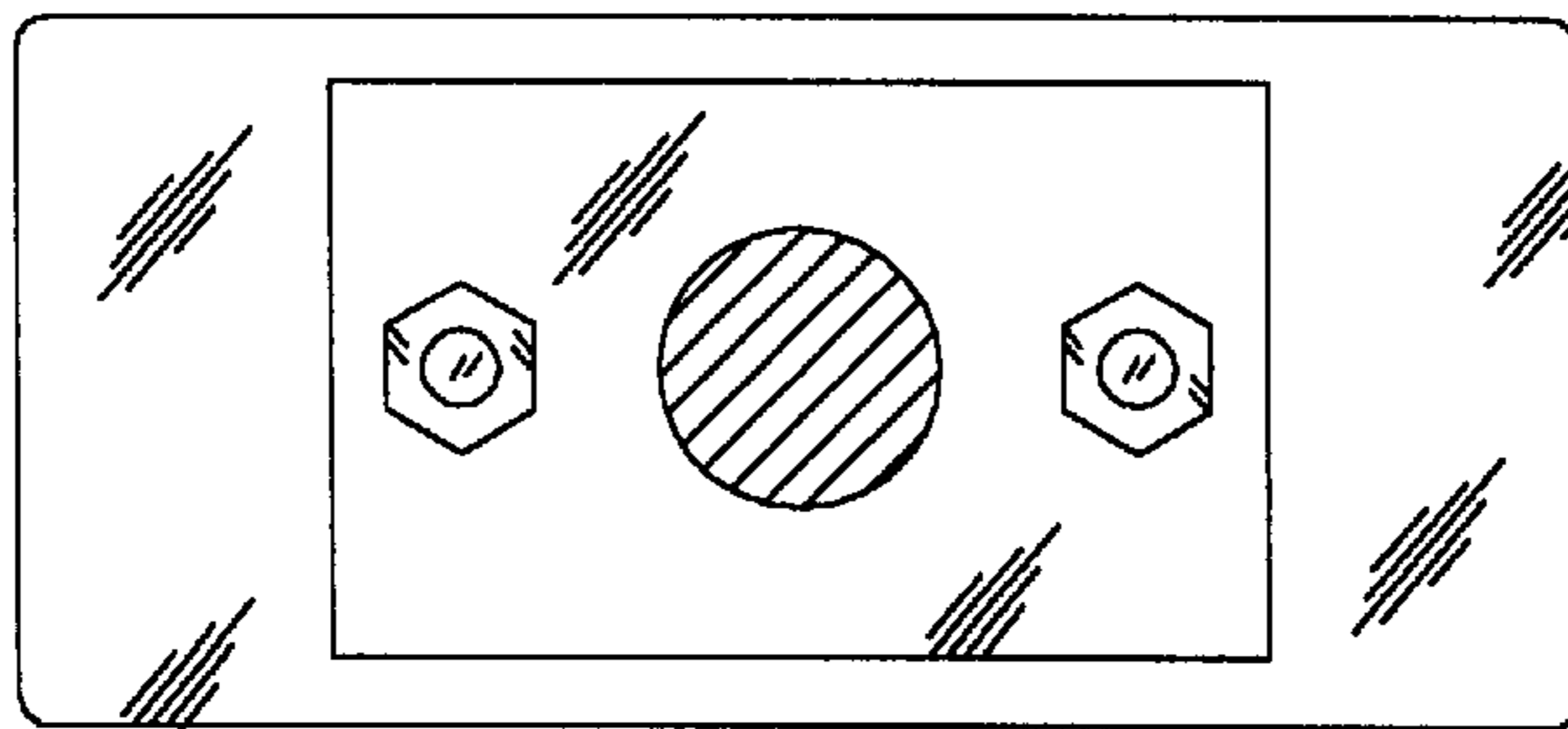


FIG. 6