



US00D420207S

United States Patent [19]

[11] **Patent Number: Des. 420,207**

Barton et al.

[45] **Date of Patent: ** Feb. 8, 2000**

[54] **WINTER SPORTS HAT**

5,509,145 4/1996 Stevenson et al. .
5,511,249 4/1996 Higgins .
5,644,799 7/1997 Armenta .

[76] Inventors: **Hilary Wyn Barton**, ERAU Box 7777,
3200 Willow Creek Rd.; **Aaron
Prescott Flessner**, ERAU Box 8833,
3200 Willow Creek Rd., both of
Prescott, Ariz. 86301

FOREIGN PATENT DOCUMENTS

506572 10/1954 Canada .
808498 2/1959 United Kingdom .

[**] Term: **14 Years**

Primary Examiner—Paula A. Mortimer
Attorney, Agent, or Firm—Richard C. Litman

[21] Appl. No.: **29/103,716**

[57] CLAIM

[22] Filed: **Apr. 20, 1999**

The ornamental design for a winter sports hat, as shown and described.

[51] **LOC (7) Cl. 02-03**

[52] **U.S. Cl. D2/889; D2/865**

[58] **Field of Search** D2/865, 867, 871,
D2/875, 885, 889; 2/171, 171.3, 181, 171.5,
181.8, 182.4, 182.3, 182.6, 209.4, 209.7,
195.1, 195.2, 195.3, 195.4, 195.8, 209.11,
209.12, 209.13, 421, 63, 68; 132/275, 273

DESCRIPTION

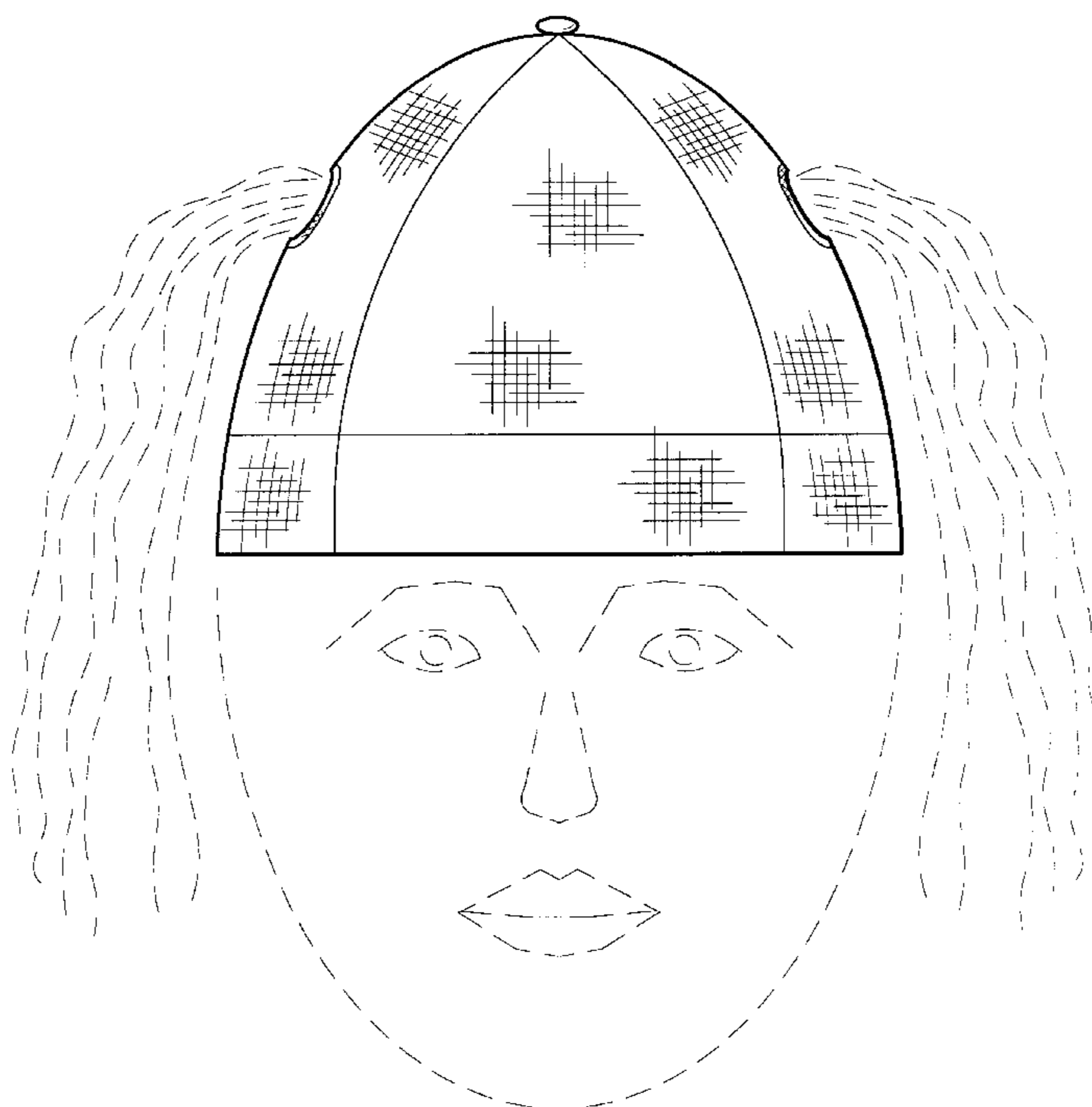
FIG. 1 is an environmental front elevational view of a first embodiment of a winter sports hat showing our new design; FIG. 2 is a front elevational view with the rear being a mirror image thereof; FIG. 3 is a right side elevational view with the left side being a mirror image thereof; FIG. 4 is a top plan view thereof; FIG. 5 is a bottom view thereof; FIG. 6 is an environmental front elevational view of a second embodiment of a winter sports hat showing our new design; FIG. 7 is a front elevational view thereof; FIG. 8 is a rear elevational view thereof; FIG. 9 is a right side elevational view with the left side being a mirror image thereof; FIG. 10 is a top plan view thereof; and, FIG. 11 is a bottom view thereof. The broken line showing of the human figure in FIGS. 1 and 6 is for illustrative purposes only and forms no part of the claimed design.

[56] References Cited

U.S. PATENT DOCUMENTS

D. 58,303	7/1921	Bartholomew	D2/865
D. 187,519	3/1960	Lasting	D2/865
D. 350,427	9/1994	Vig et al.	.	
1,077,833	11/1913	Houghton	2/63
1,483,226	2/1924	Johnson	2/68
1,502,160	7/1924	Reinthal	.	
1,672,611	6/1928	Gold	.	
1,810,655	6/1931	Hosking	2/68
1,907,709	5/1933	Barrow	2/171
2,051,384	8/1936	Lipton	2/68
2,864,383	12/1958	Jacks et al.	.	
3,274,612	9/1966	Merriam	2/421
3,693,637	9/1972	Sidelman	132/273 X
3,852,823	12/1974	Jones	2/68
5,321,854	6/1994	Kronenberger	.	

1 Claim, 11 Drawing Sheets



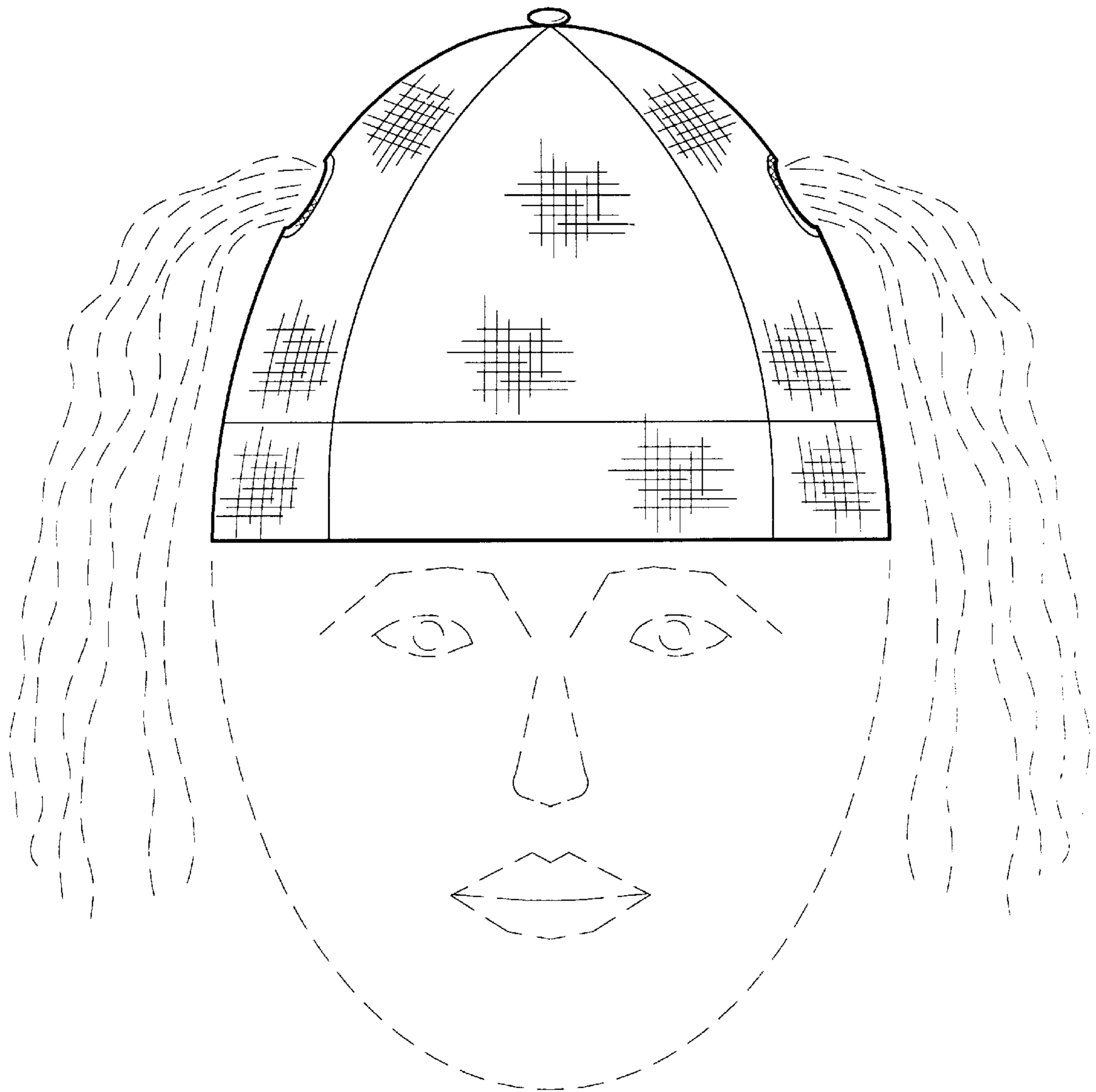


FIG. 1

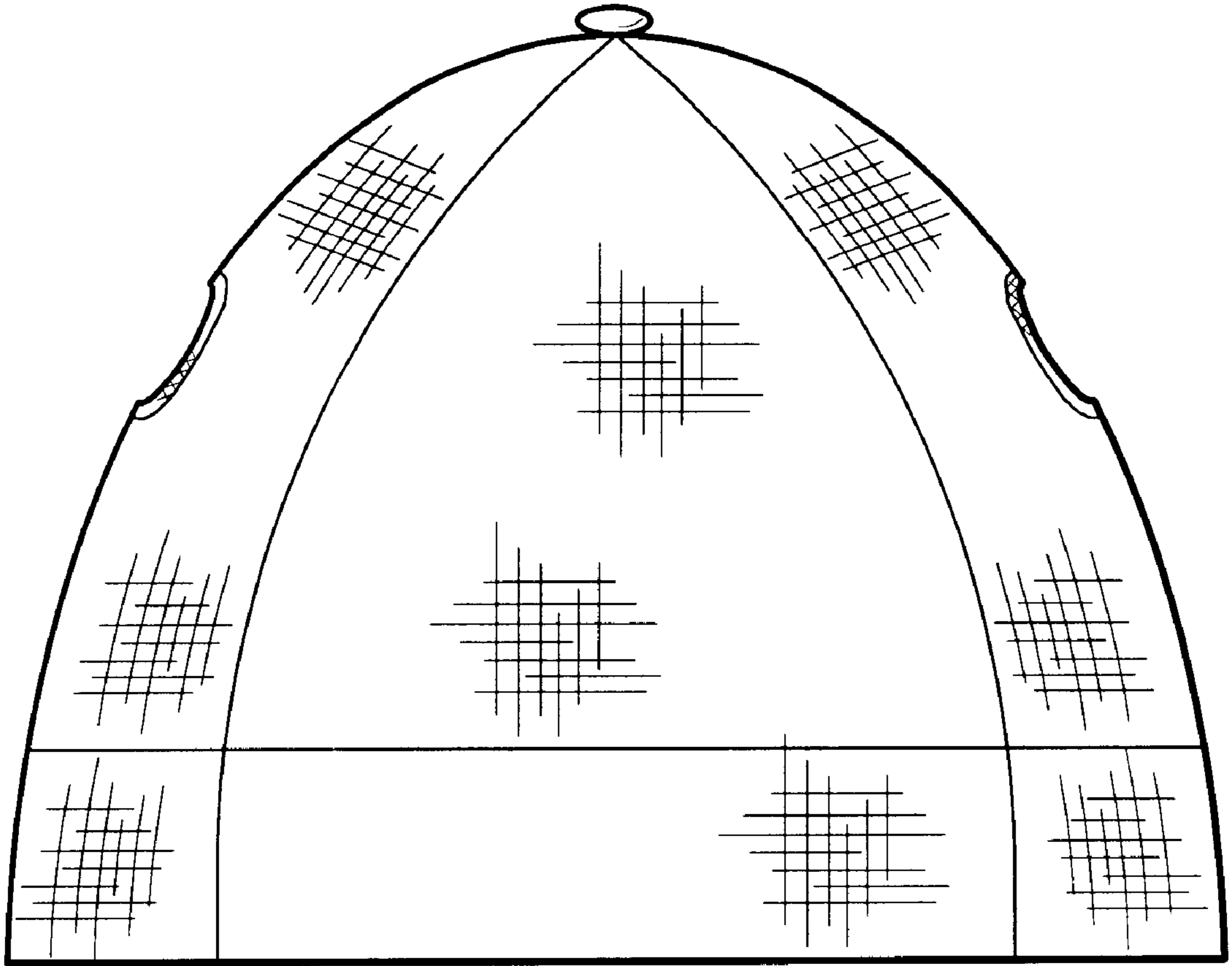


FIG. 2

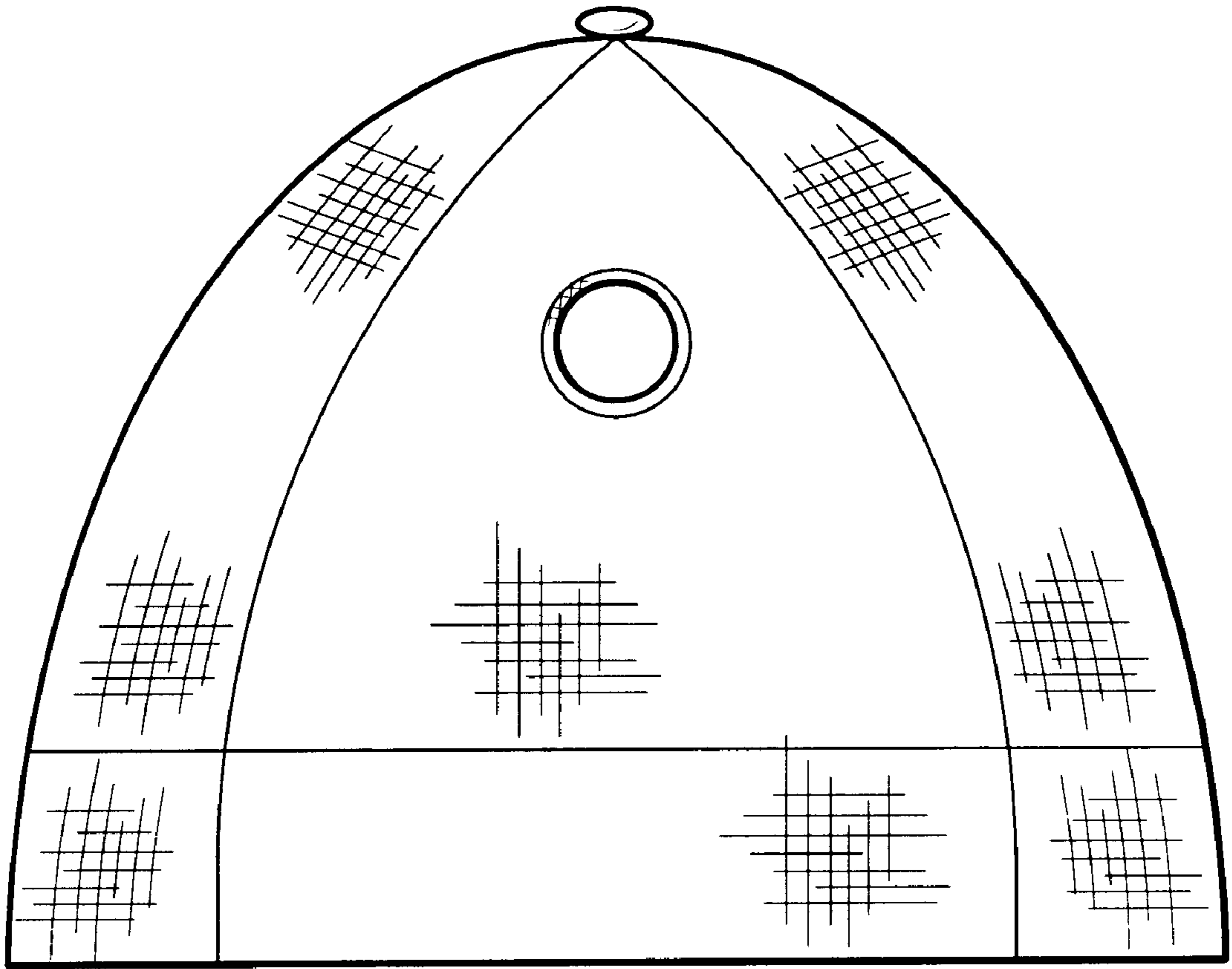


FIG. 3

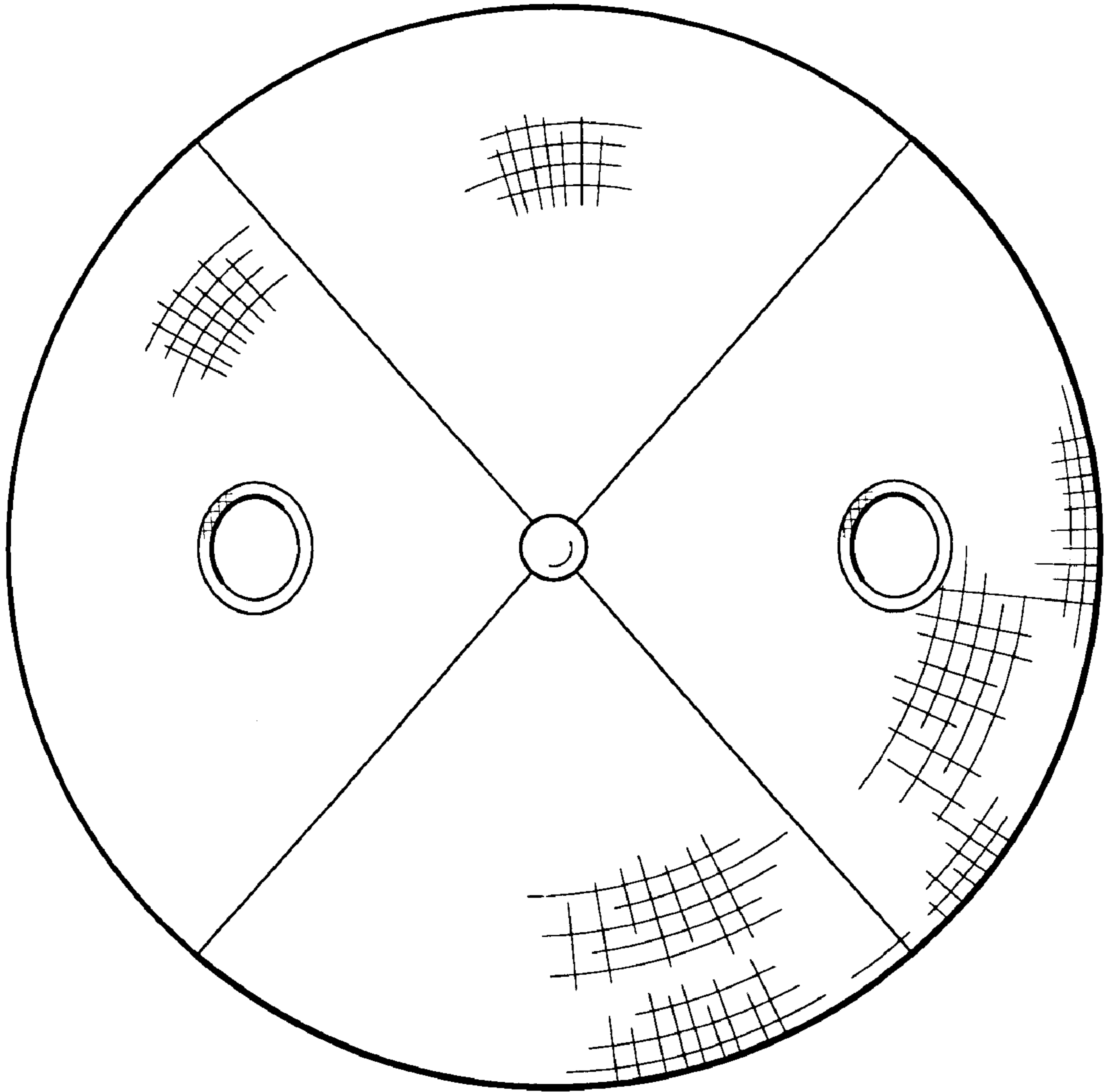


FIG. 4

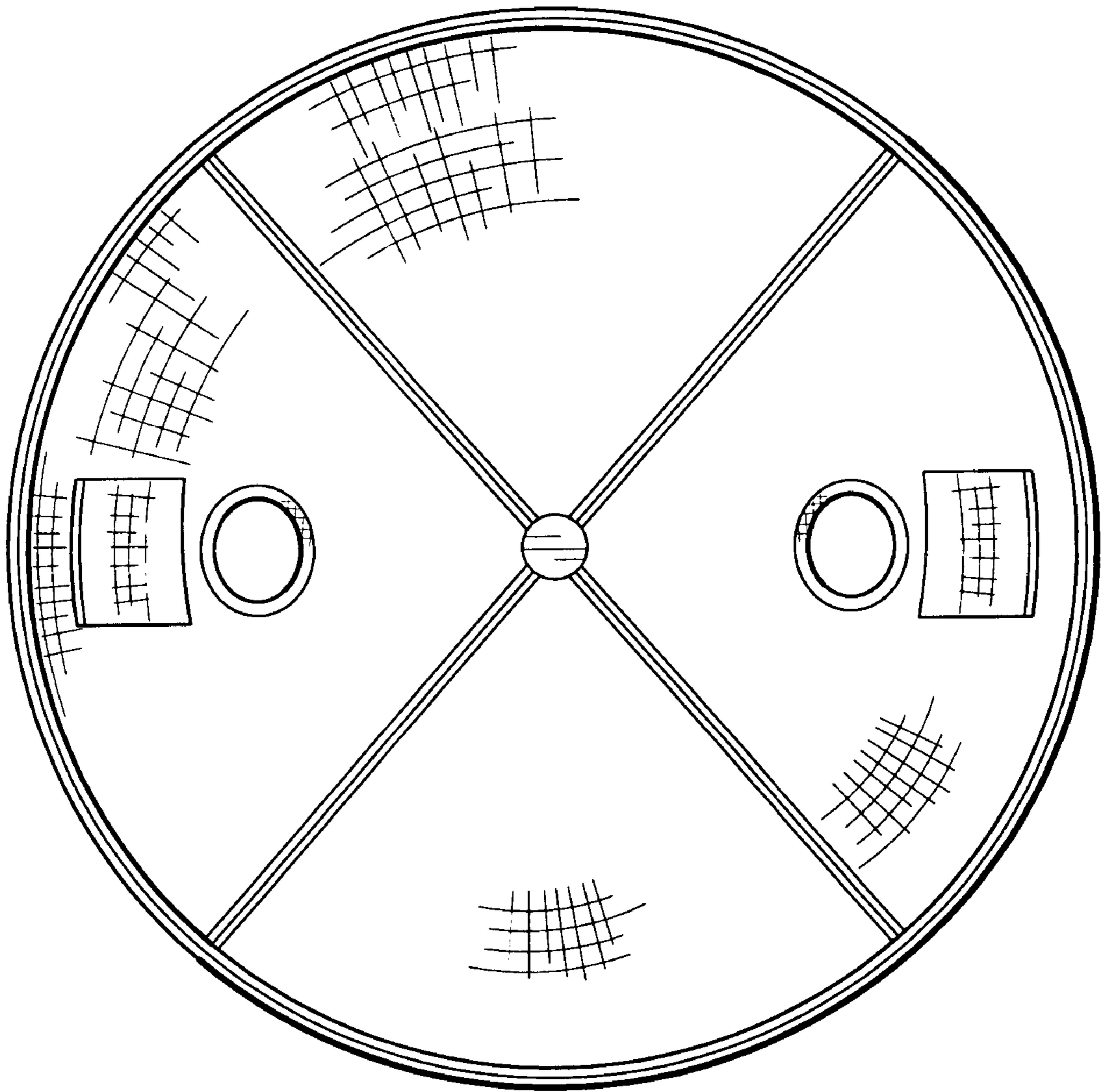


FIG. 5

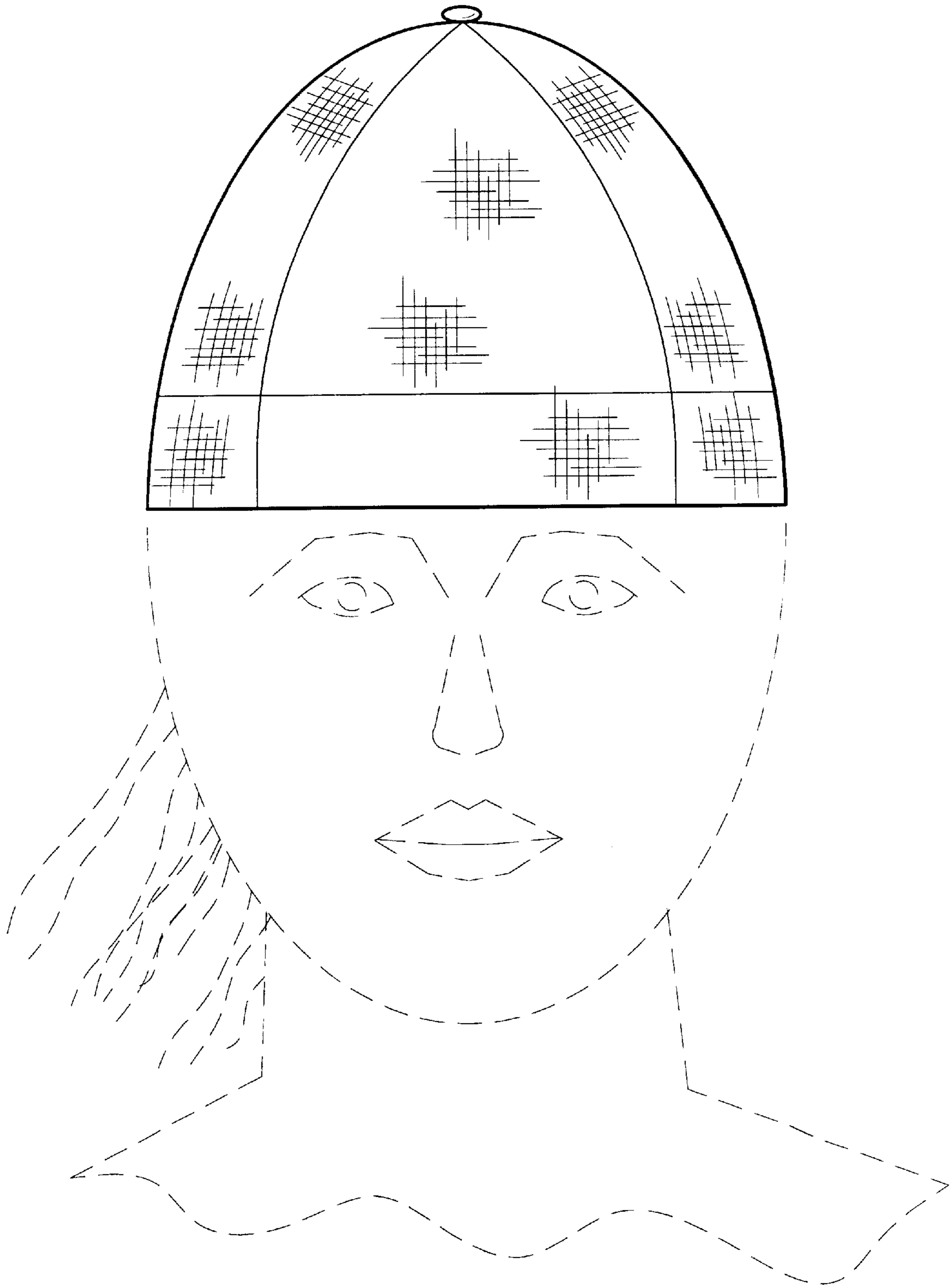


FIG. 6

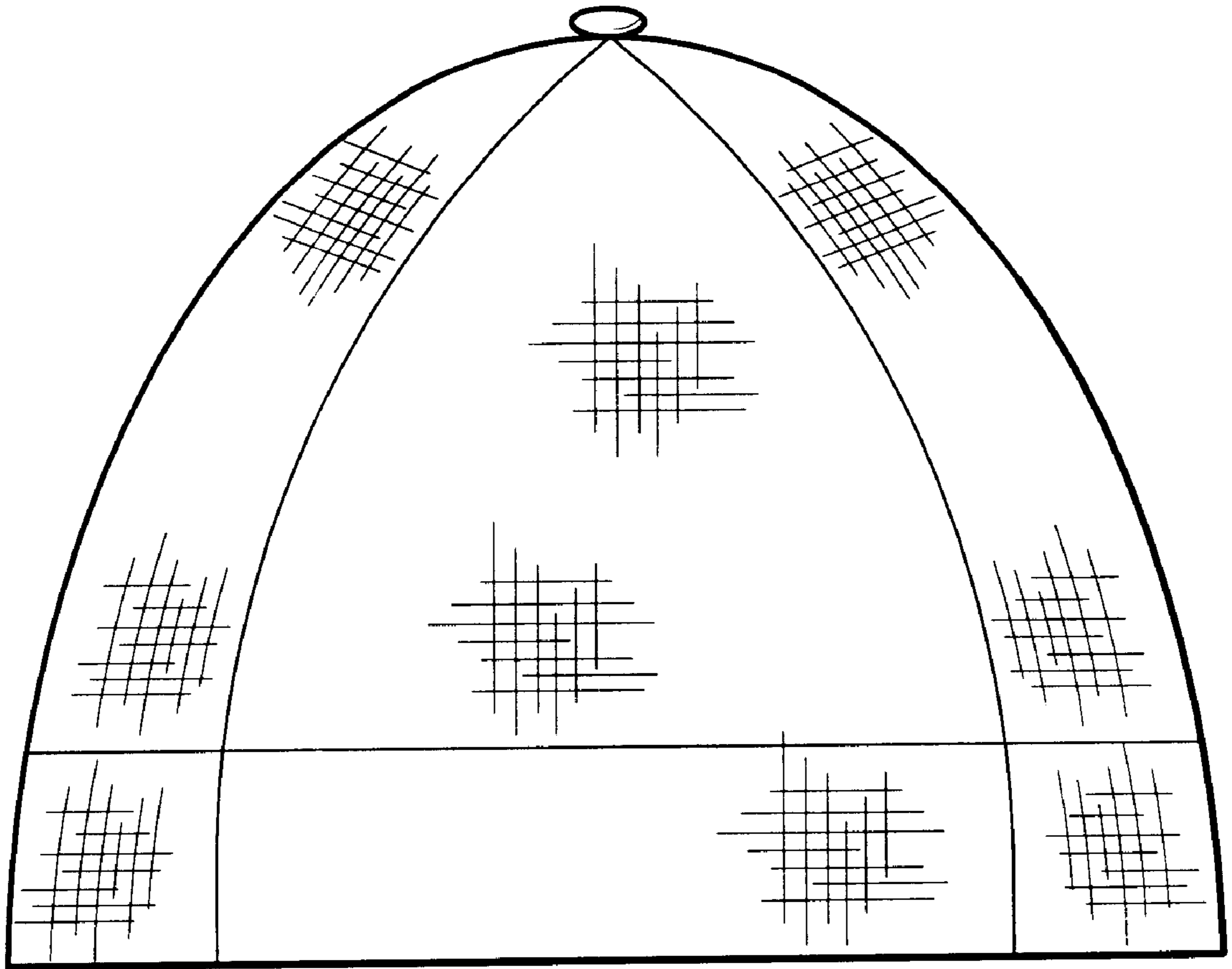


FIG. 7

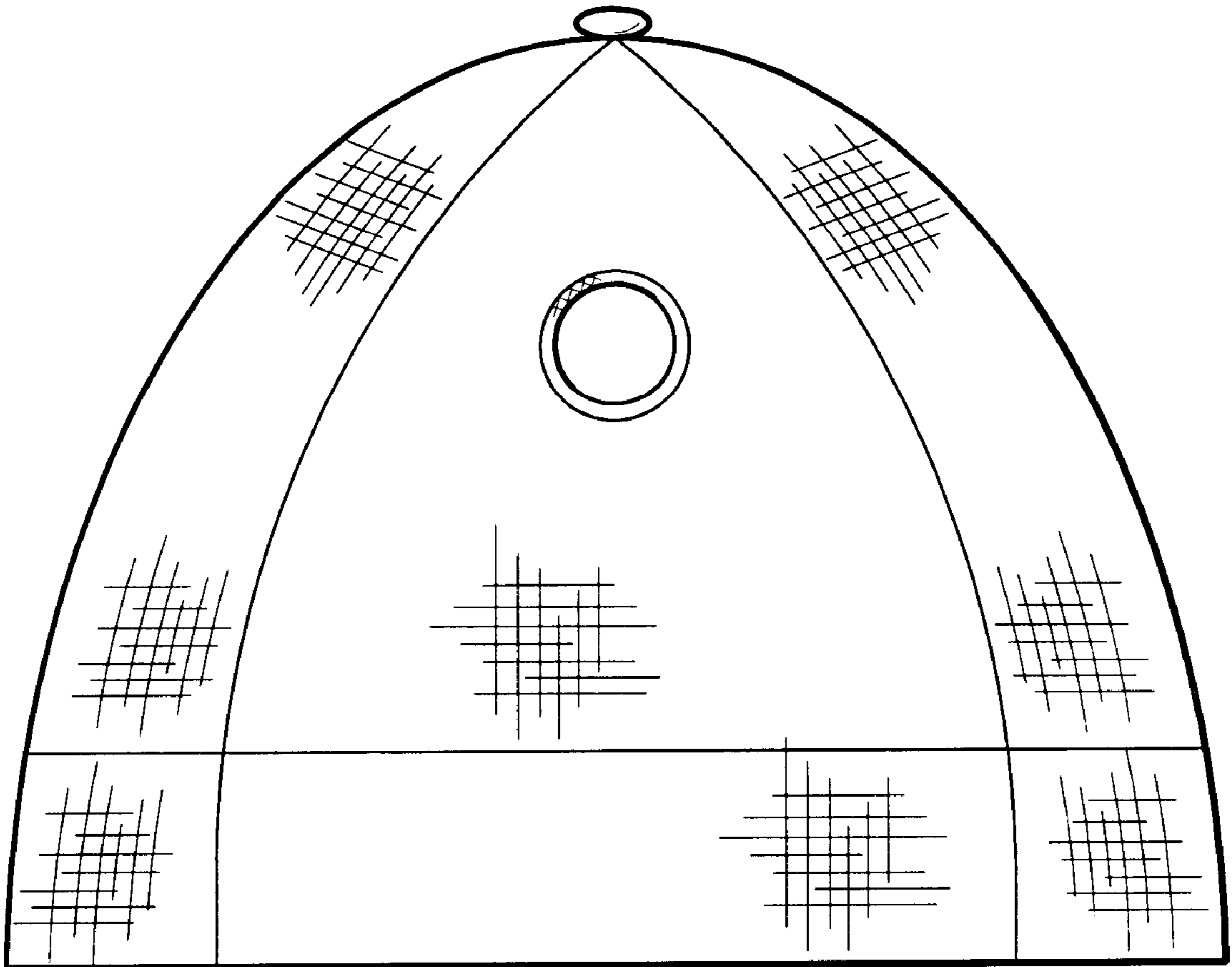


FIG. 8

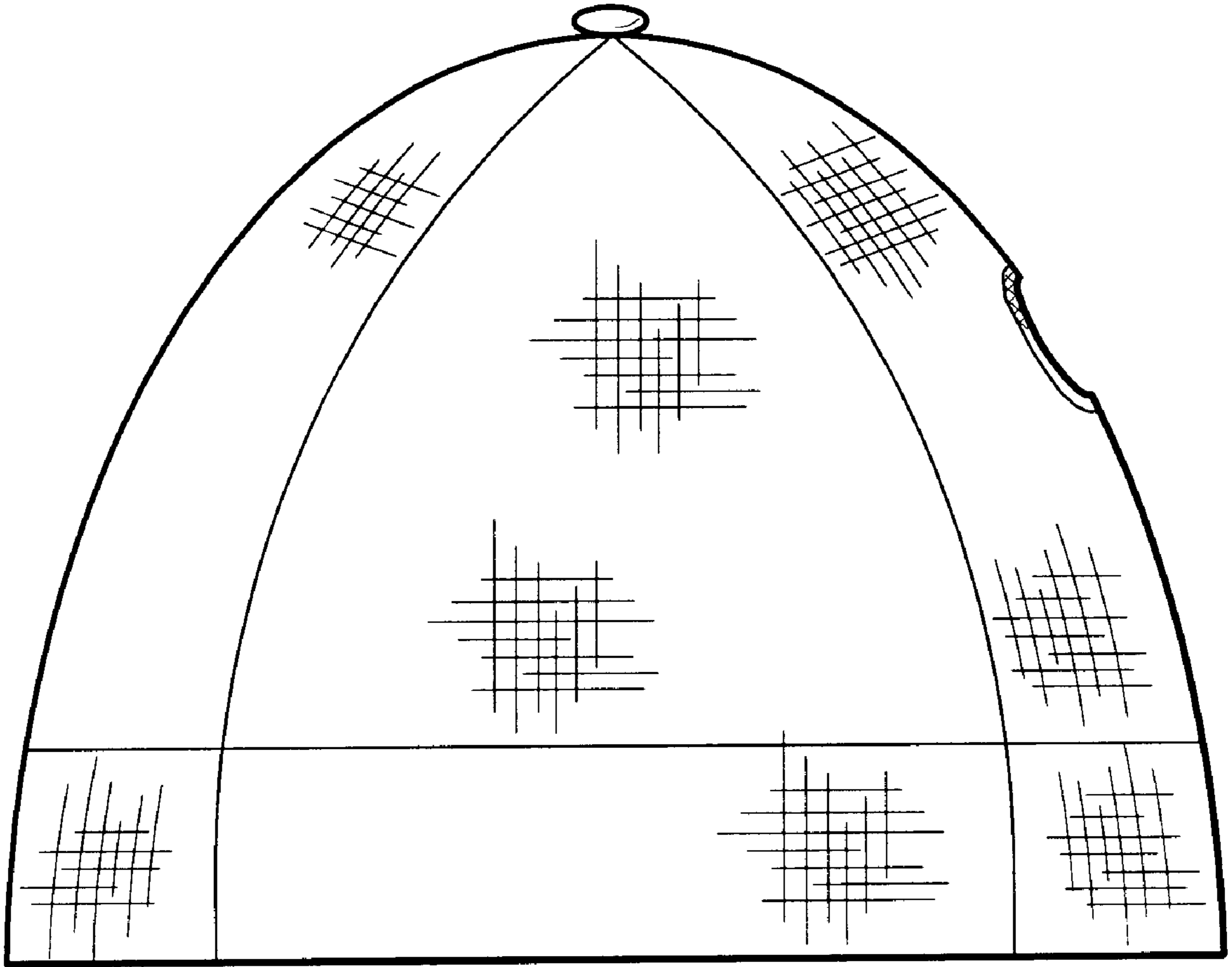


FIG. 9

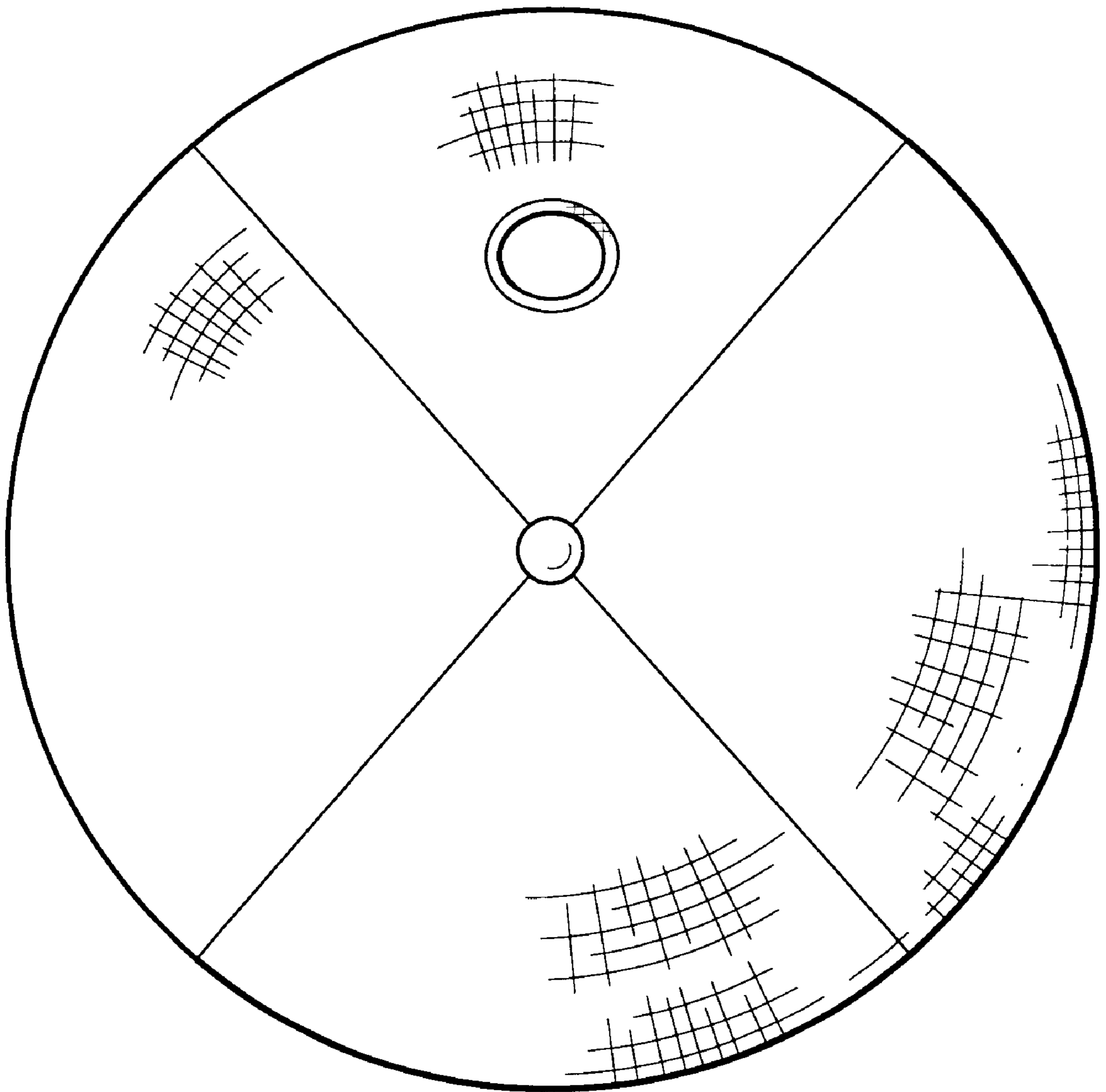


FIG. 10

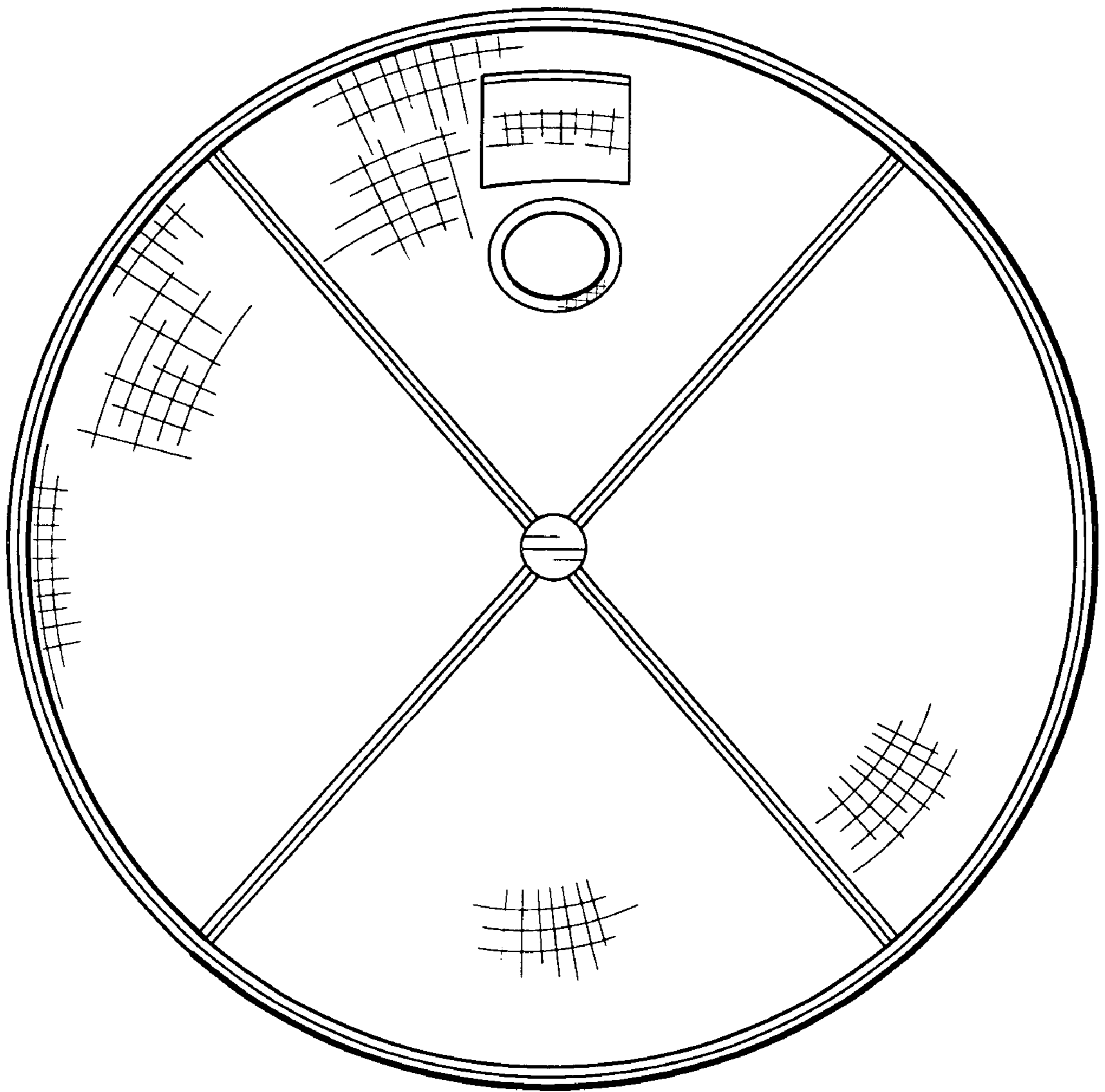


FIG. 11