



US00D420206S

United States Patent [19] Lawson

[11] **Patent Number: Des. 420,206**
[45] **Date of Patent: ** Feb. 8, 2000**

[54] **TIRE HAT**
[75] Inventor: **Thomas Jefferson Lawson**, Port Richey, Fla.
[73] Assignee: **Thomas J. Lawson**, Port Richey, Fla.
[**] Term: **14 Years**

| | | | | |
|------------|---------|--------------|-------|-----------|
| D. 357,344 | 4/1995 | Norton | | D2/869 |
| D. 393,535 | 4/1998 | Farber | | D2/869 |
| 2,109,681 | 3/1938 | Page | | 206/304.2 |
| 2,111,596 | 3/1938 | Lewis et al. | | 206/304.2 |
| 2,726,634 | 12/1955 | Horner | | 206/304.2 |
| 5,027,990 | 7/1991 | Sonnenberg | | 224/42.2 |
| 5,507,205 | 4/1996 | Ruimi | | 74/558 |

[21] Appl. No.: **29/087,141**
[22] Filed: **Apr. 27, 1998**

Primary Examiner—Robert M. Spear

[51] **LOC (7) Cl.** **02-03**
[52] **U.S. Cl.** **D2/869**
[58] **Field of Search** D12/177, 202,
D12/401; D2/867, 869, 873, 880, 881;
74/558, 558.5; 206/304, 304.1, 304.2; 224/42.12,
42.18, 42.2; 2/171, 181, 195.1

[57] **CLAIM**
The ornamental design for a tire hat, as shown and described.

[56] **References Cited**
U.S. PATENT DOCUMENTS

DESCRIPTION

| | | | | |
|------------|--------|-----------|-------|---------|
| D. 305,322 | 1/1990 | Campbell | | D12/202 |
| D. 306,995 | 4/1990 | Reed, Jr. | | D12/202 |

FIG. 1 is a side view of a tire hat showing my new design, the opposite side view being identical thereto;
FIG. 2 is a bottom view thereof;
FIG. 3 is a perspective view thereof; and,
FIG. 4 is a top plan view thereof.
The surface(s) or portion(s) of the article not shown in the drawing or described in the specification form(s) no part of the claimed design.

1 Claim, 4 Drawing Sheets

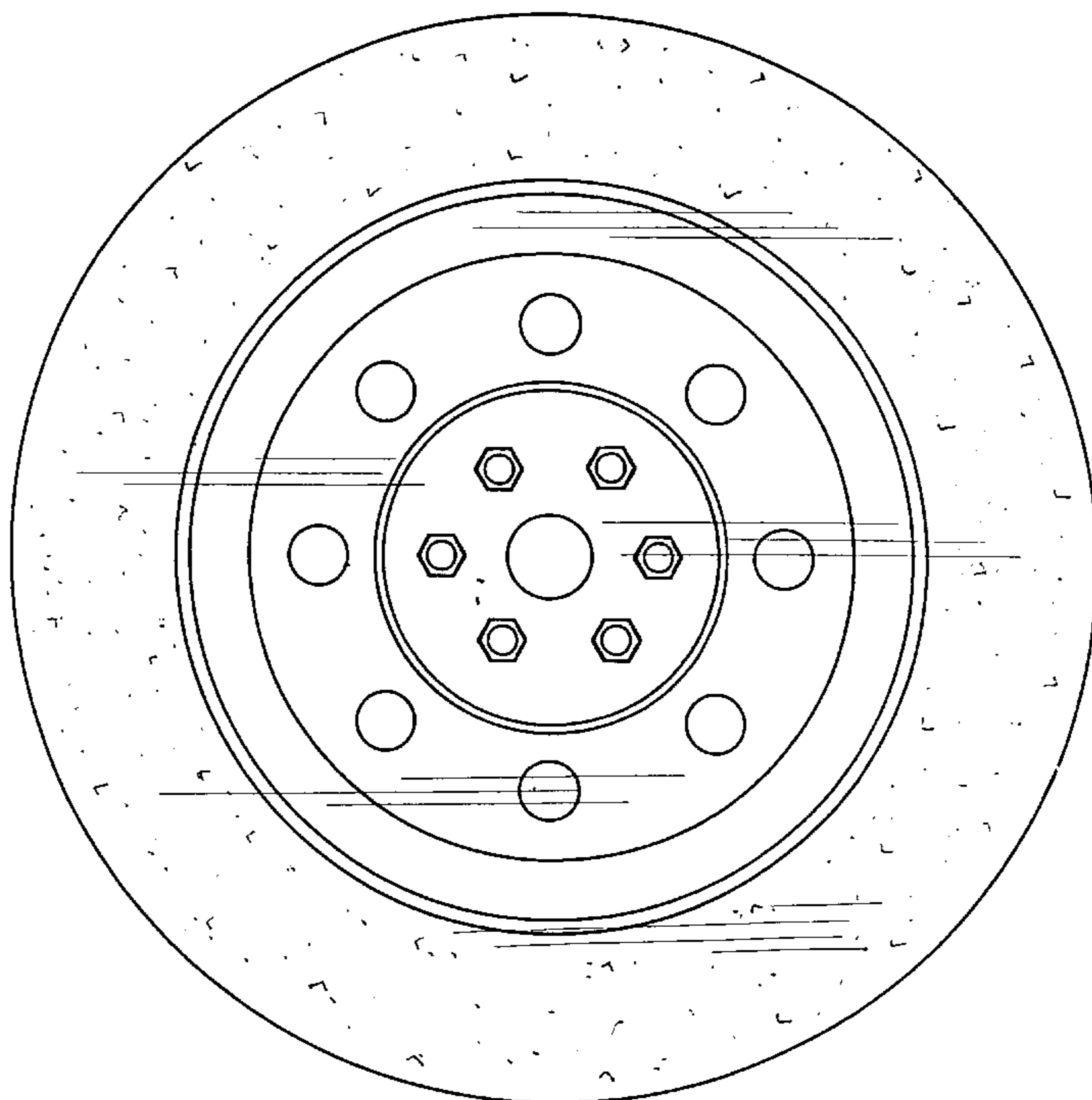
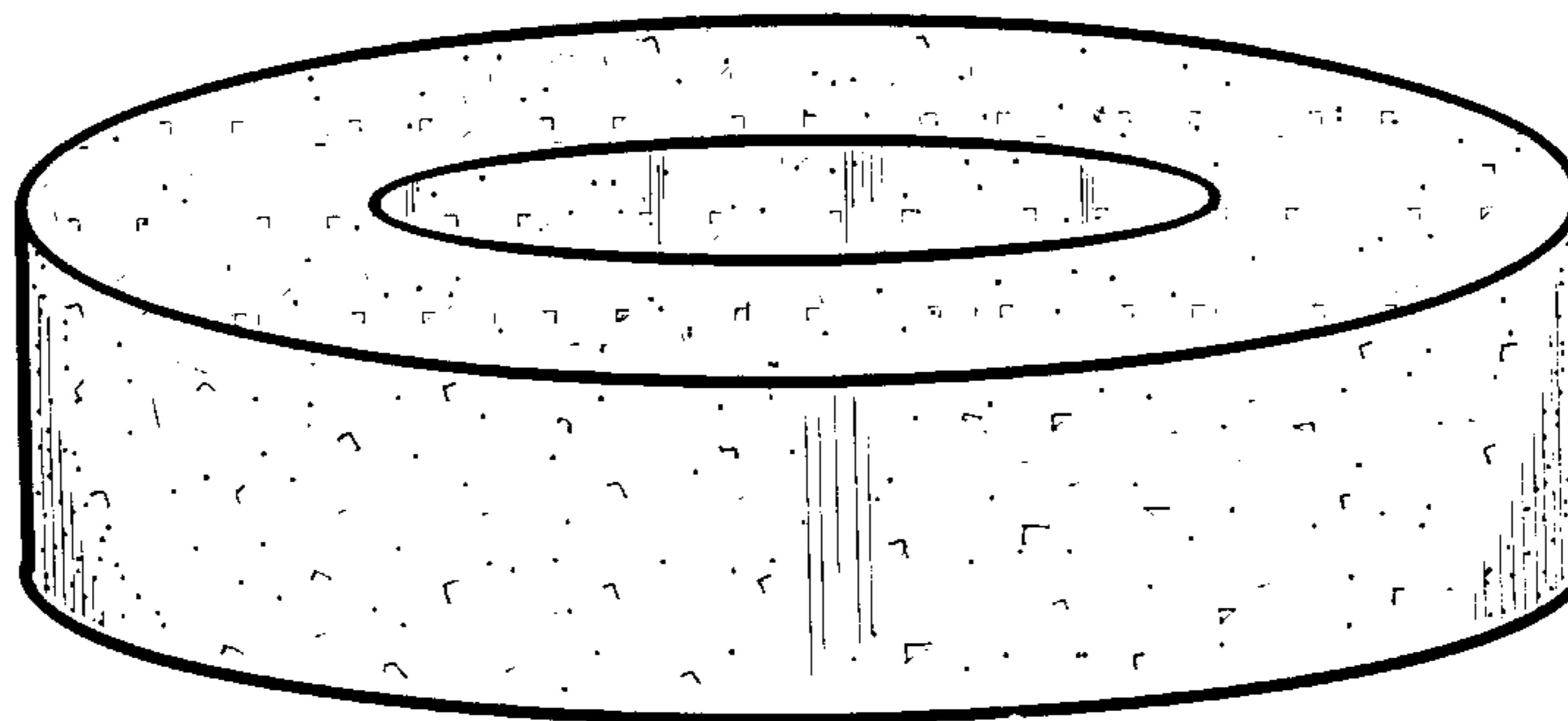


Figure 1

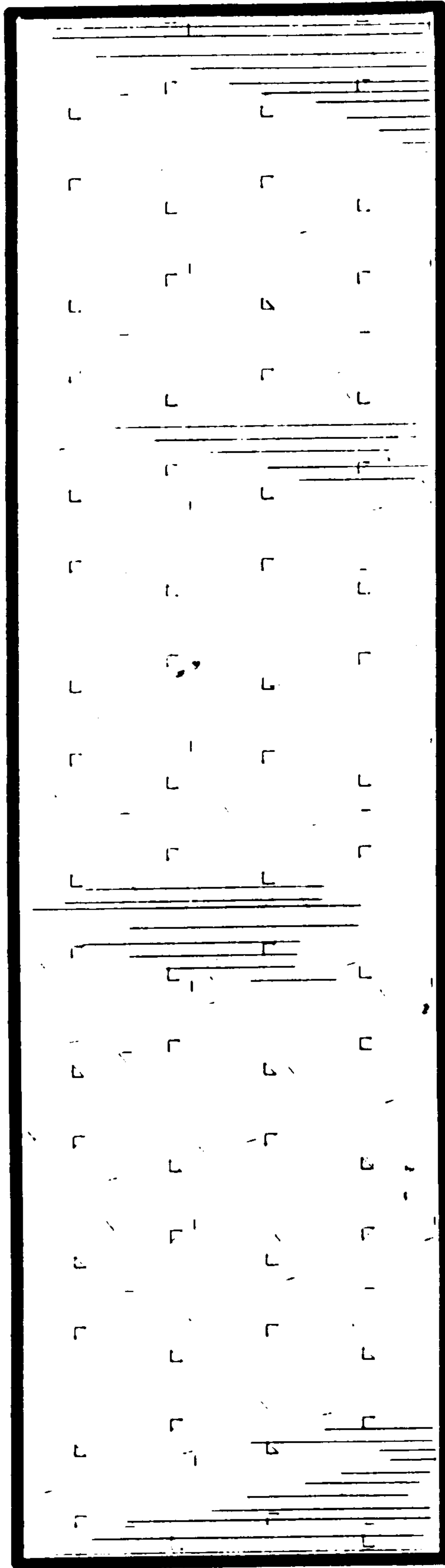


FIGURE 2

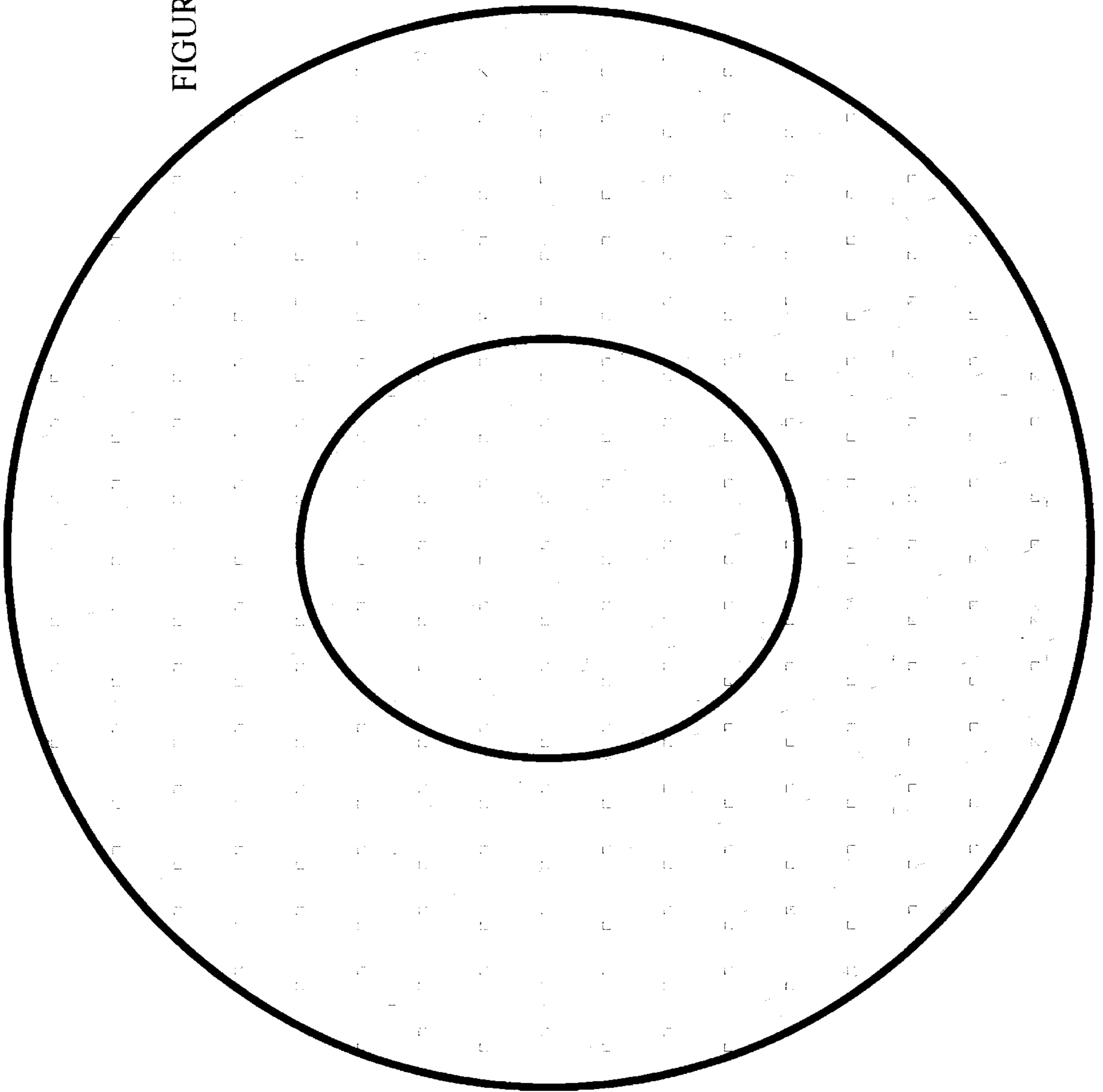
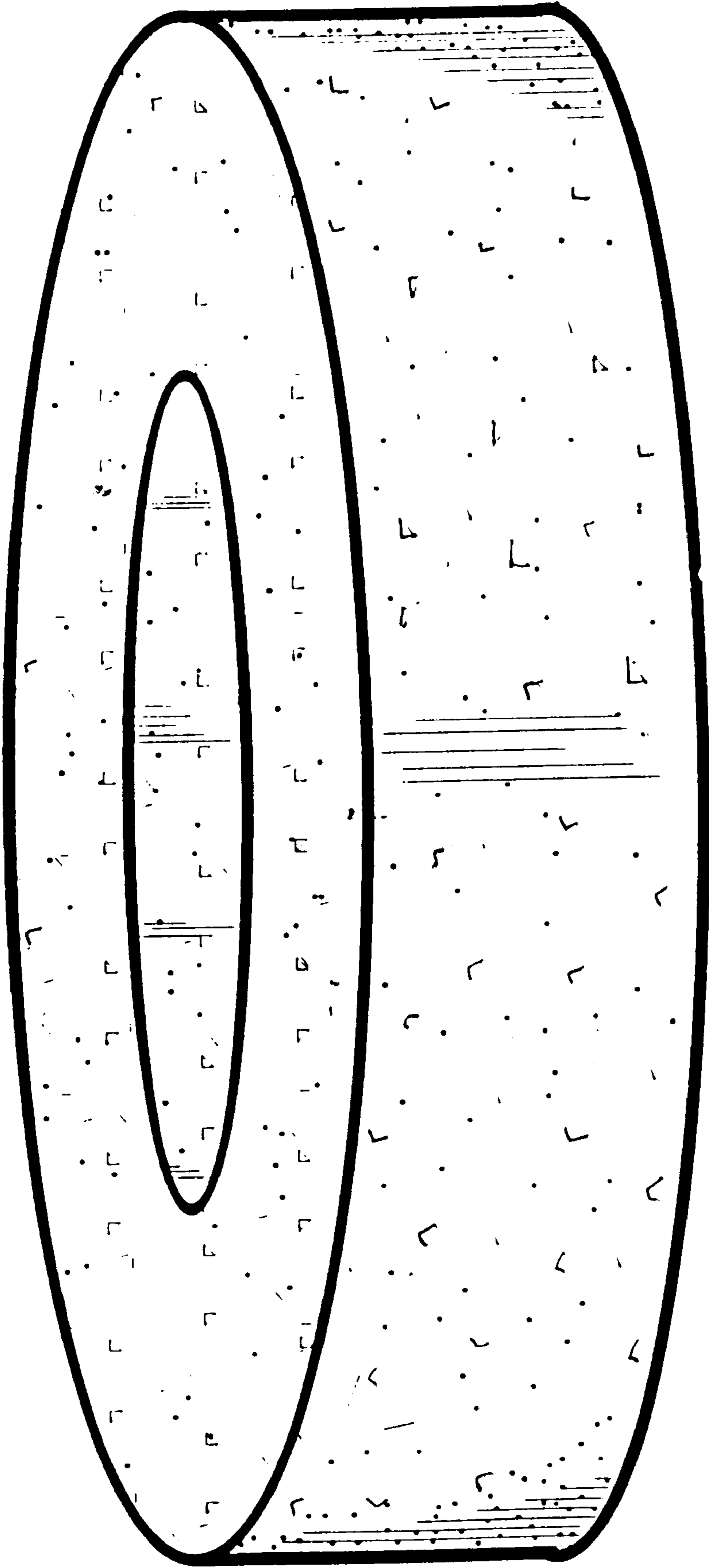


FIGURE 3



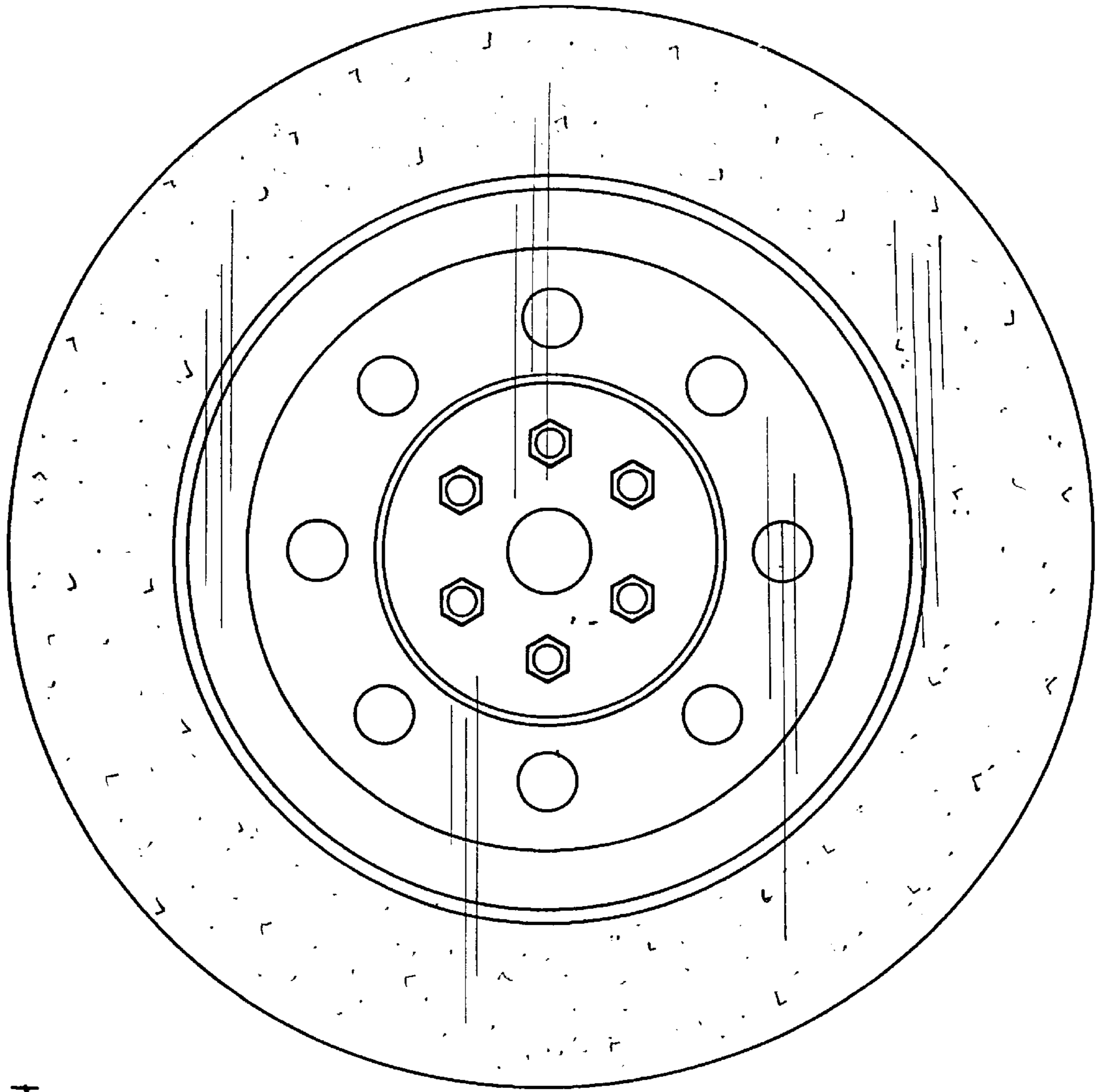


FIGURE 4