



US00D420203S

United States Patent [19]
Watkins

[11] **Patent Number: Des. 420,203**

[45] **Date of Patent: ** Feb. 8, 2000**

[54] **BOOT JACK**

[76] Inventor: **Ronald E. Watkins**, 5071 Jardin La.,
Carmichael, Calif. 95608

[**] Term: **14 Years**

[21] Appl. No.: **29/102,232**

[22] Filed: **Mar. 22, 1999**

[51] **LOC (7) Cl.** **07-99**

[52] **U.S. Cl.** **D2/642**

[58] **Field of Search** D2/642, 641; 223/113,
223/114, 115, 116, 117

[56] **References Cited**

U.S. PATENT DOCUMENTS

D. 102,043	11/1936	Westbrook	D2/642
D. 173,795	1/1955	Cosler	D2/642
D. 204,230	4/1966	De Andre	D2/642
212,128	2/1879	Burdick	D2/642 X
D. 229,118	11/1973	Shectman	D2/642
D. 262,240	12/1981	Greifelt	D2/642

D. 286,580	11/1986	Stirling	D2/642
434,653	8/1890	Bommer	D2/642 X
1,849,282	3/1932	Churchill	D2/642 X
3,734,364	5/1973	Mayer	D2/642
5,516,015	5/1996	Berzins et al.	223/115

Primary Examiner—Paula A. Mortimer
Attorney, Agent, or Firm—Lothrop & West

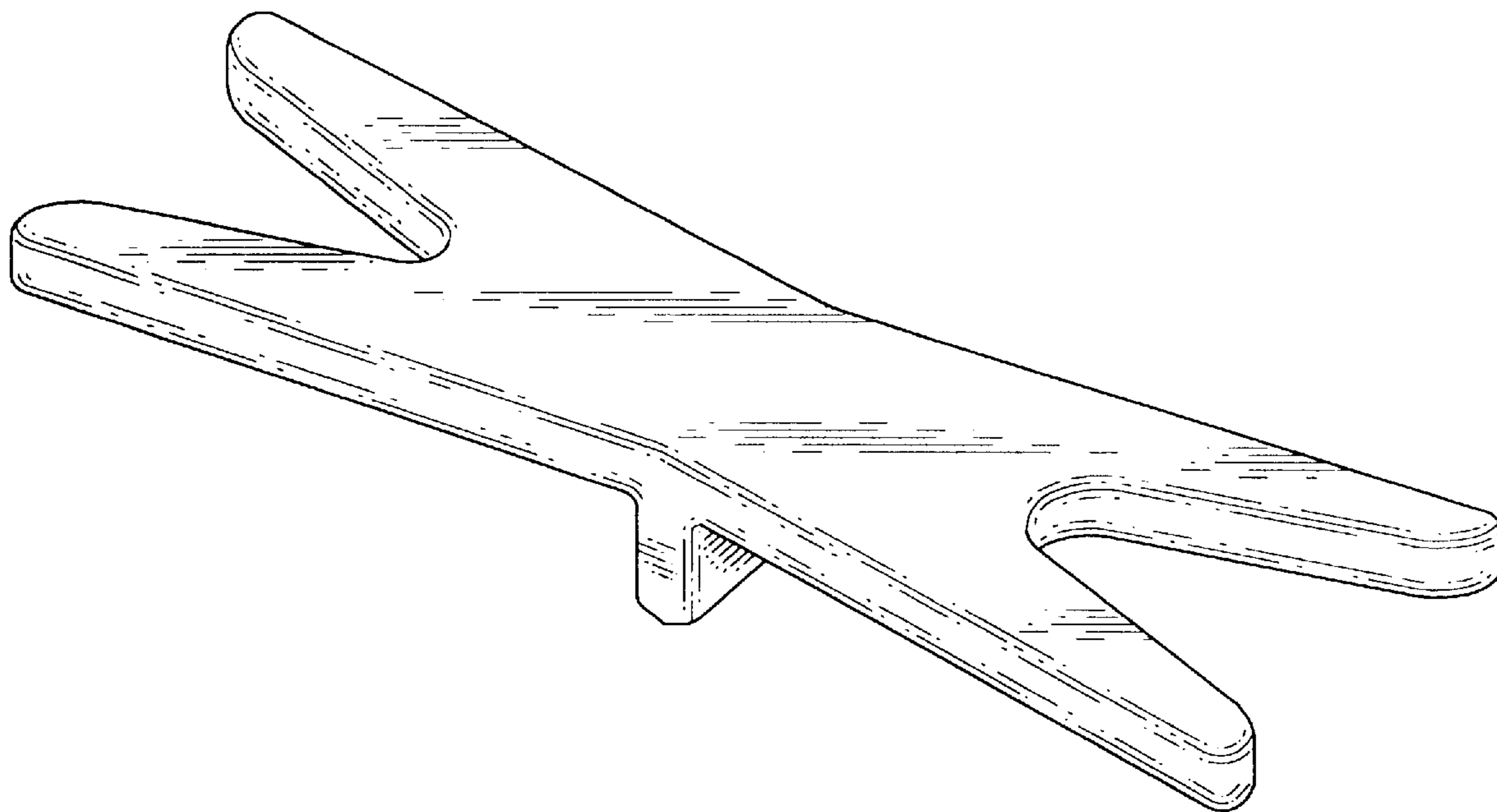
[57] **CLAIM**

The ornamental design for a boot jack, as shown and described.

DESCRIPTION

FIG. 1 is a perspective view of a bootjack, showing my new design;
FIG. 2 is a top plan view;
FIG. 3 is a side view, the opposite side view being a mirror image;
FIG. 4 is a view of the left end;
FIG. 5 is a view of the right end; and,
FIG. 6 is a bottom plan view.

1 Claim, 2 Drawing Sheets



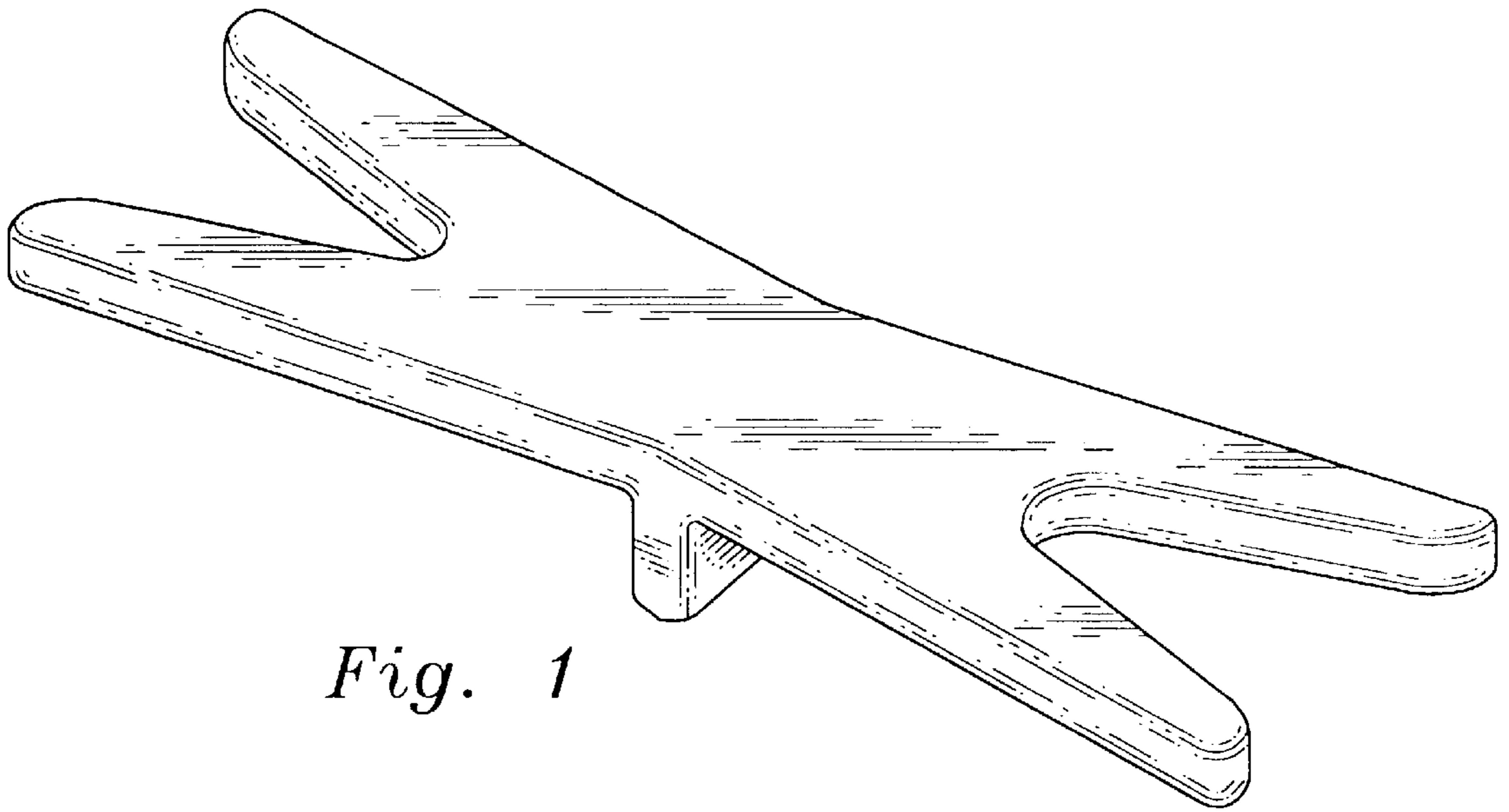


Fig. 1

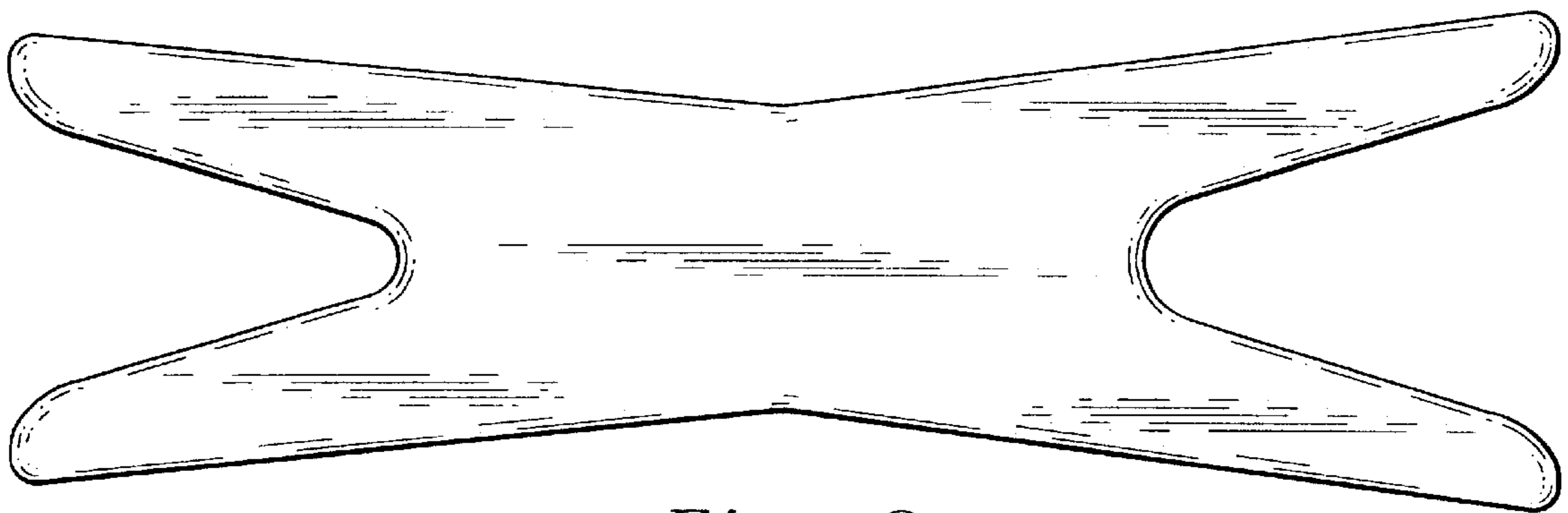


Fig. 2

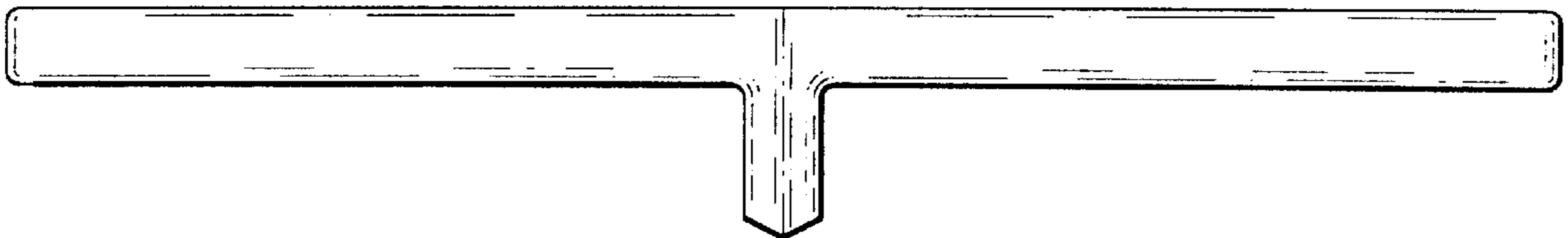


Fig. 3

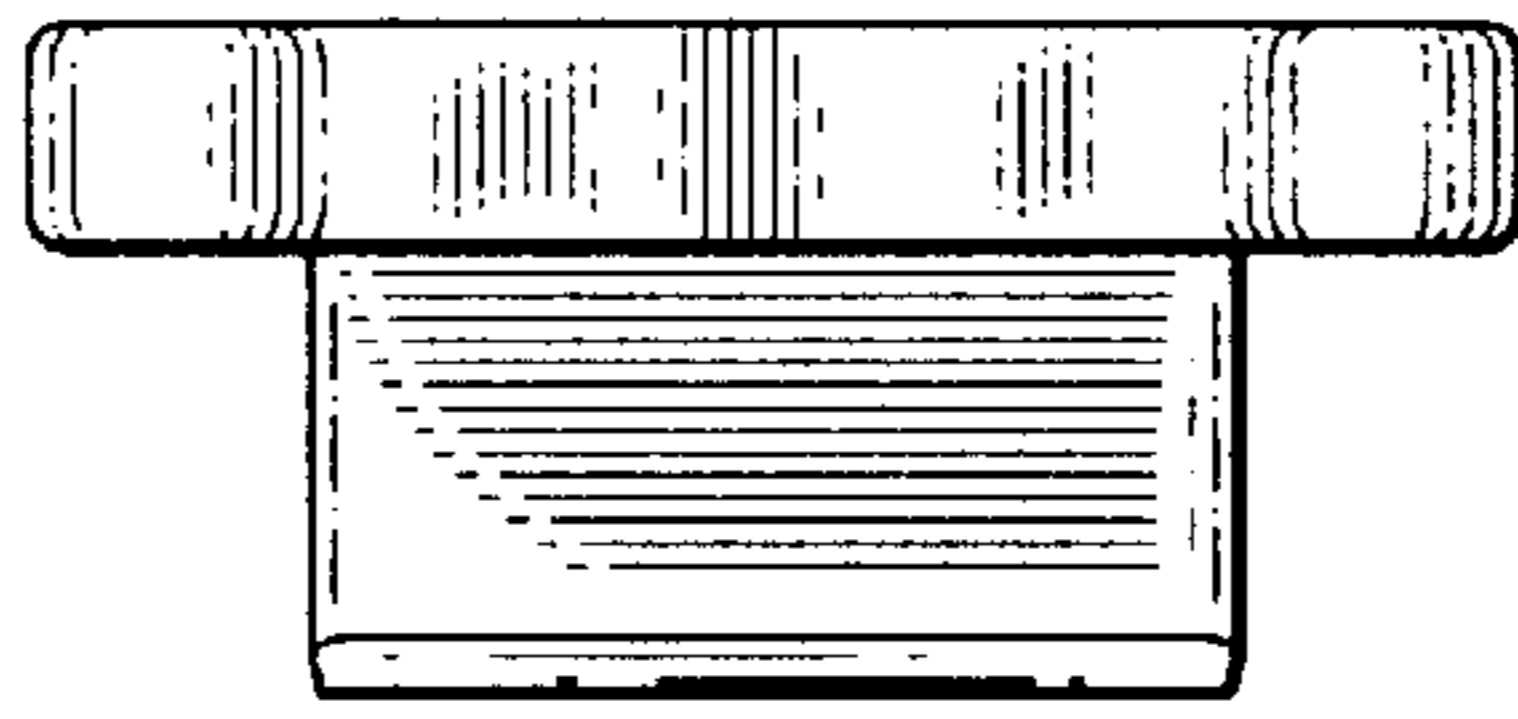


Fig. 4

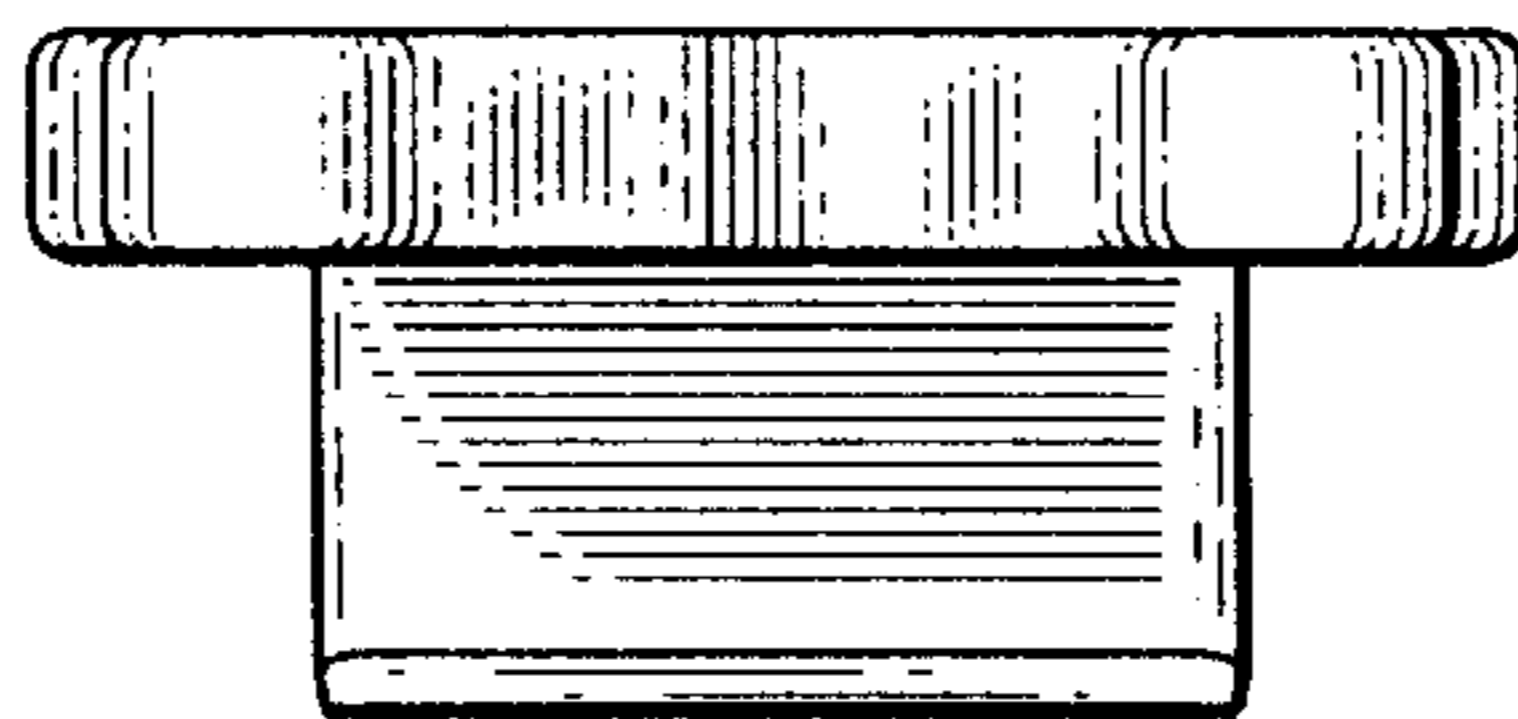


Fig. 5

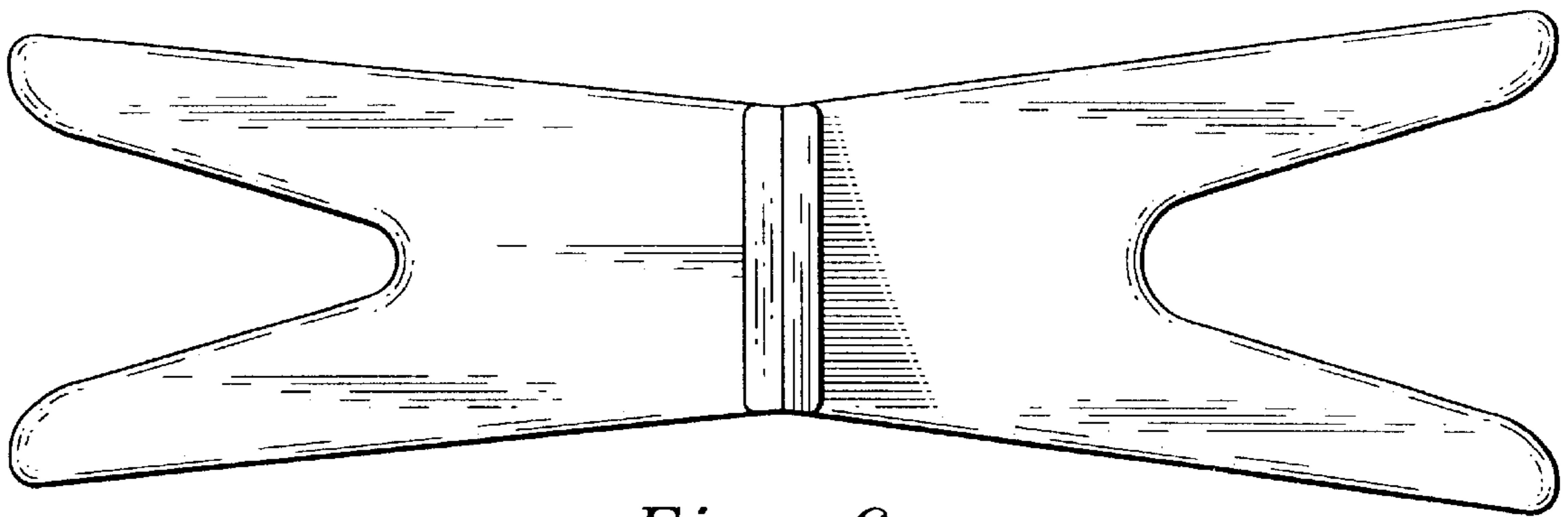


Fig. 6