



US00D420193S

United States Patent [19] Cummings

[11] Patent Number: **Des. 420,193**

[45] Date of Patent: **** Feb. 1, 2000**

[54] **CASKET**

[75] Inventor: **Kenneth E. Cummings**, Mississauga, Canada

[73] Assignee: **Castek Environmental Products Inc.**, Richmond Hill, Canada

[**] Term: **14 Years**

[21] Appl. No.: **29/100,432**

[22] Filed: **Feb. 11, 1999**

[30] Foreign Application Priority Data

Aug. 12, 1998 [CA] Canada 1998-1953

[51] **LOC (7) Cl.** **99-00**

[52] **U.S. Cl.** **D99/1**

[58] **Field of Search** D99/1, 2, 4, 6, D99/7, 10; 27/1, 2, 3, 4, 5, 6, 7, 8, 9, 17

[56] References Cited

U.S. PATENT DOCUMENTS

D. 50,880	6/1917	Smith	D99/2
D. 86,040	1/1932	Markie, Jr.	D99/2
D. 108,724	3/1938	Watson, Jr.	D99/7
D. 183,868	11/1958	Wallace	D99/1
D. 187,268	2/1960	Duke	D99/1
D. 227,562	7/1973	Pitt	D99/1
D. 240,640	7/1976	Clark	D99/1
D. 253,975	1/1980	Brunson	D99/1
D. 355,747	2/1995	Tobin	D99/1

D. 356,420	3/1995	Etzel et al.	D99/1
610,537	9/1898	Hison et al.	27/17
3,781,948	1/1974	Pitt	27/17
3,924,309	12/1975	Andruws, Jr. et al.	27/2
4,253,220	3/1981	Work	.	
4,320,562	3/1982	Kelley	.	
4,800,631	1/1989	Pellmann	.	
4,890,366	1/1990	Schaapveld	.	
5,222,281	6/1993	Guérin	.	

OTHER PUBLICATIONS

York "Stainless Steel"—brochure 8 pages, undated.
York "Steel Caskets" brochure—8 pages, undated.
York "Precious Metals" brochure—8 pages, undated.
York "Hardwood Caskets" brochure—8 pages, undated.

Primary Examiner—Paula A. Mortimer
Attorney, Agent, or Firm—Trevor C. Klotz

[57] CLAIM

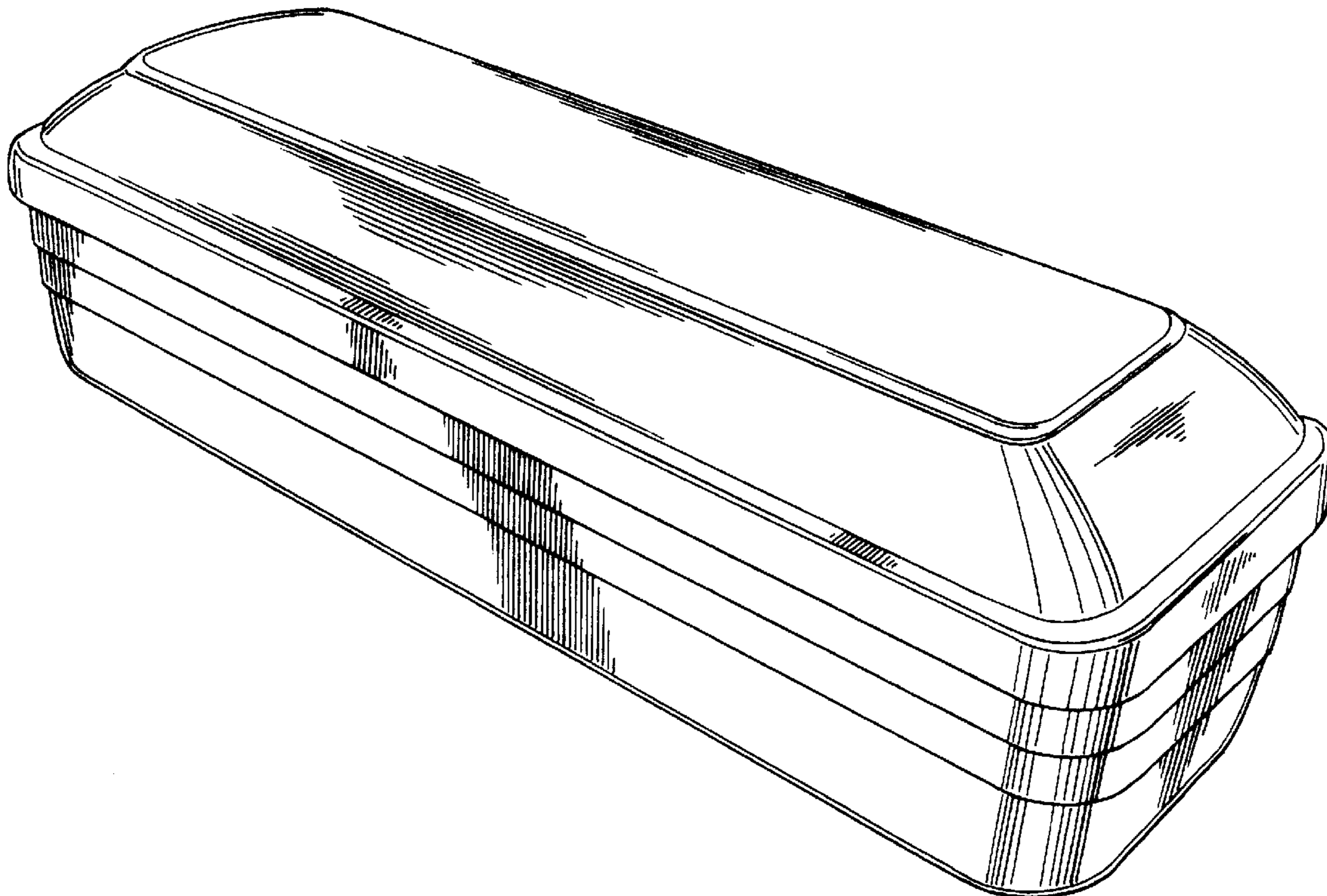
I/we claim the ornamental design for a casket, as shown.

DESCRIPTION

FIG. 1 is a front perspective view taken from the right side showing my new design;

FIG. 2 is a top plan view of the design;
FIG. 3 is a bottom plan view of the design;
FIG. 4 is a front elevation of the design;
FIG. 5 is a rear elevation of the design;
FIG. 6 is a left side elevation of the design; and,
FIG. 7 is a right side elevation of the design.

1 Claim, 4 Drawing Sheets



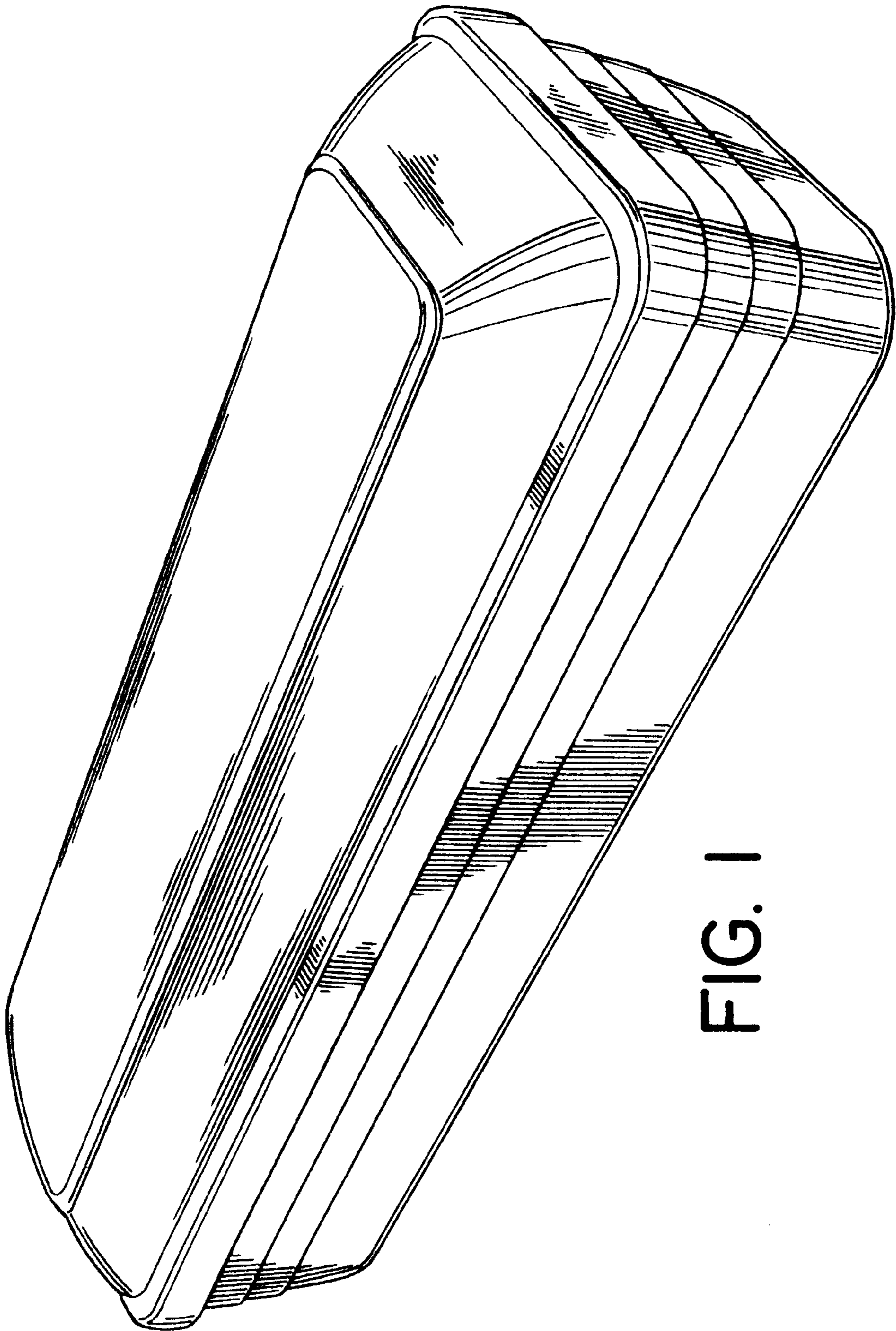


FIG. 1

FIG. 2

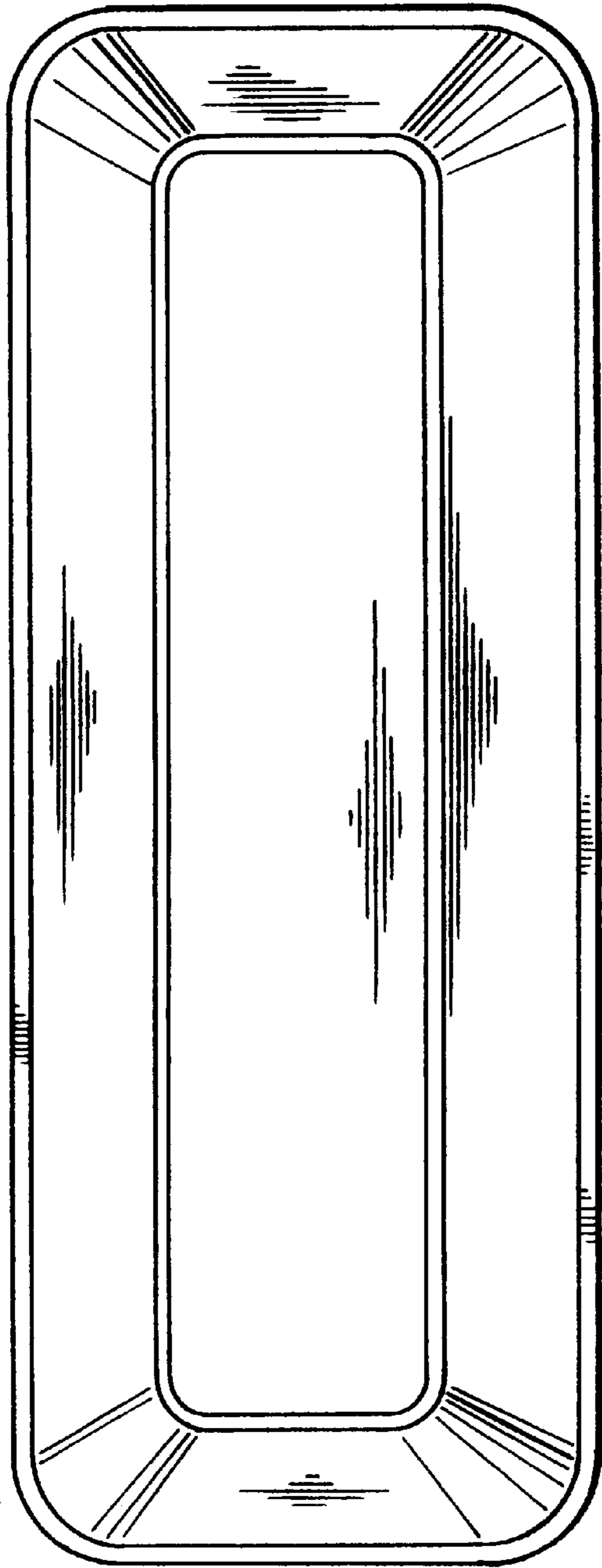
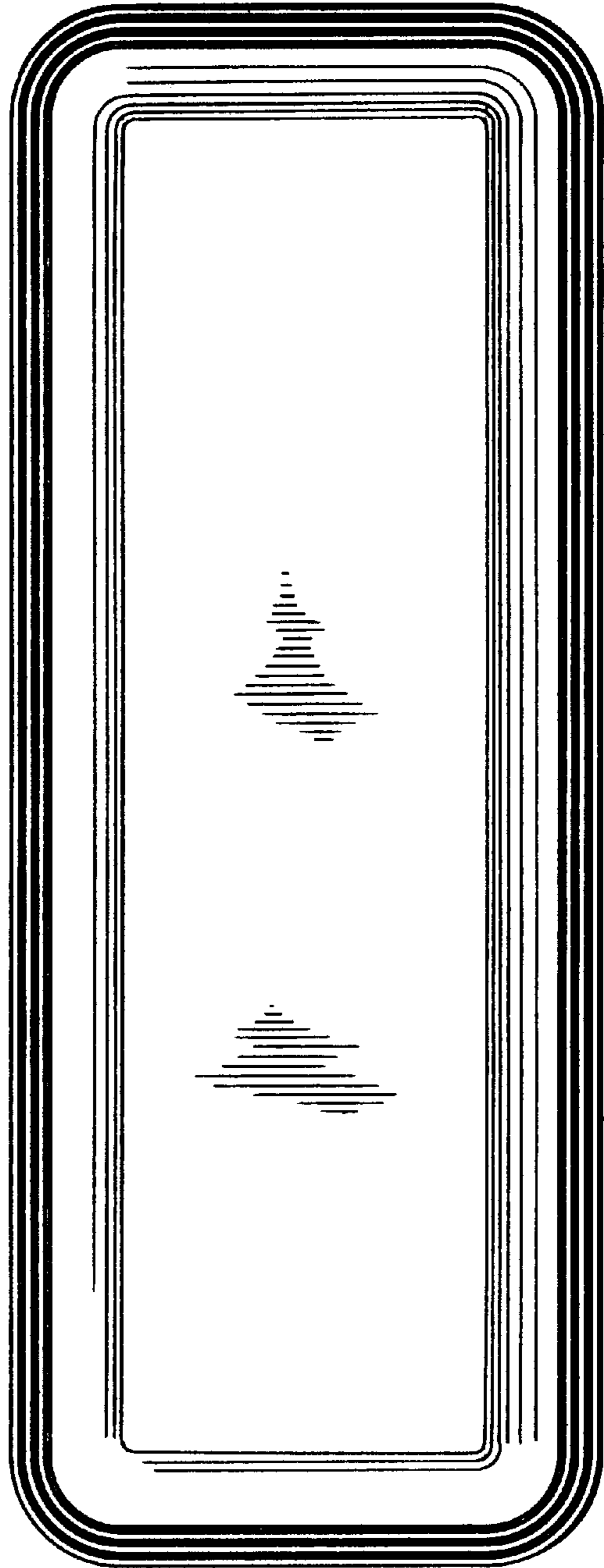


FIG. 3



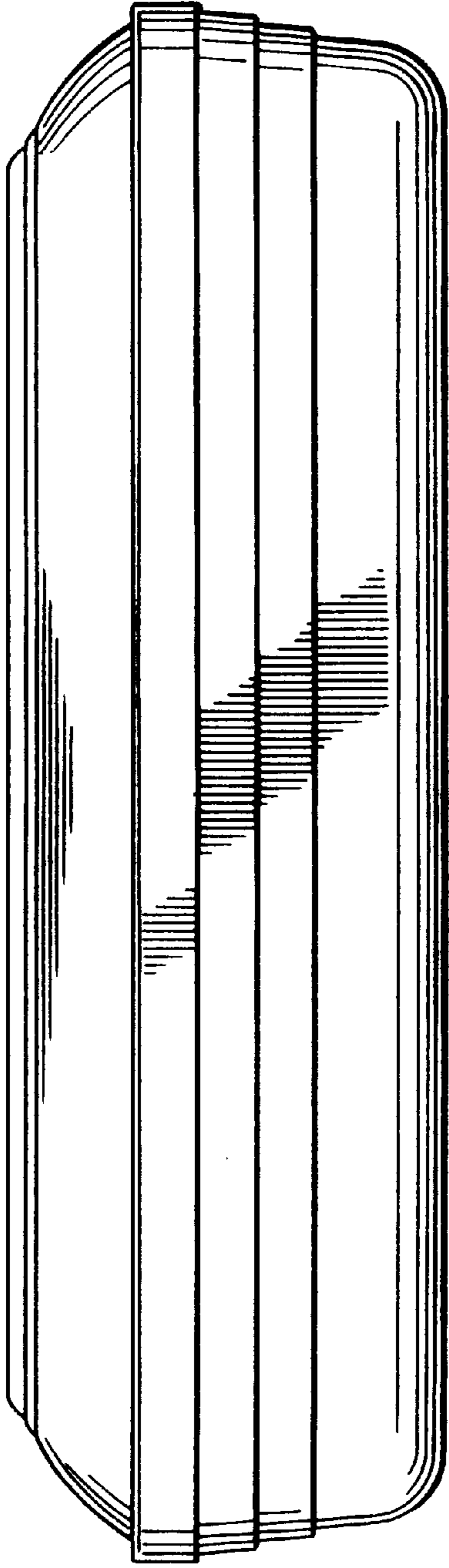


FIG. 4

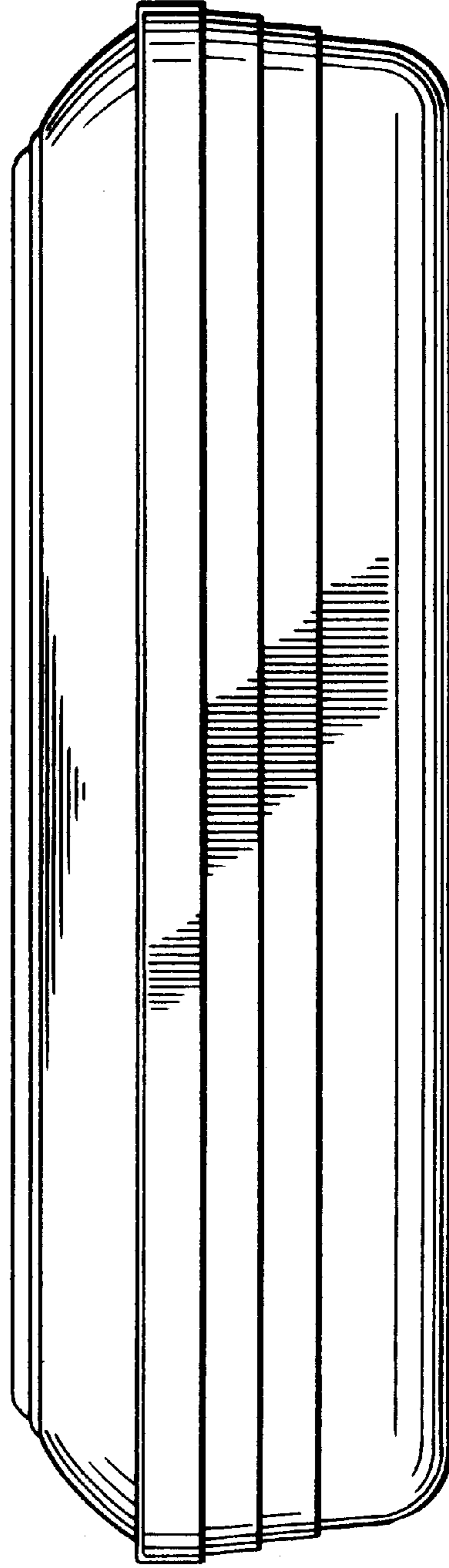


FIG. 5

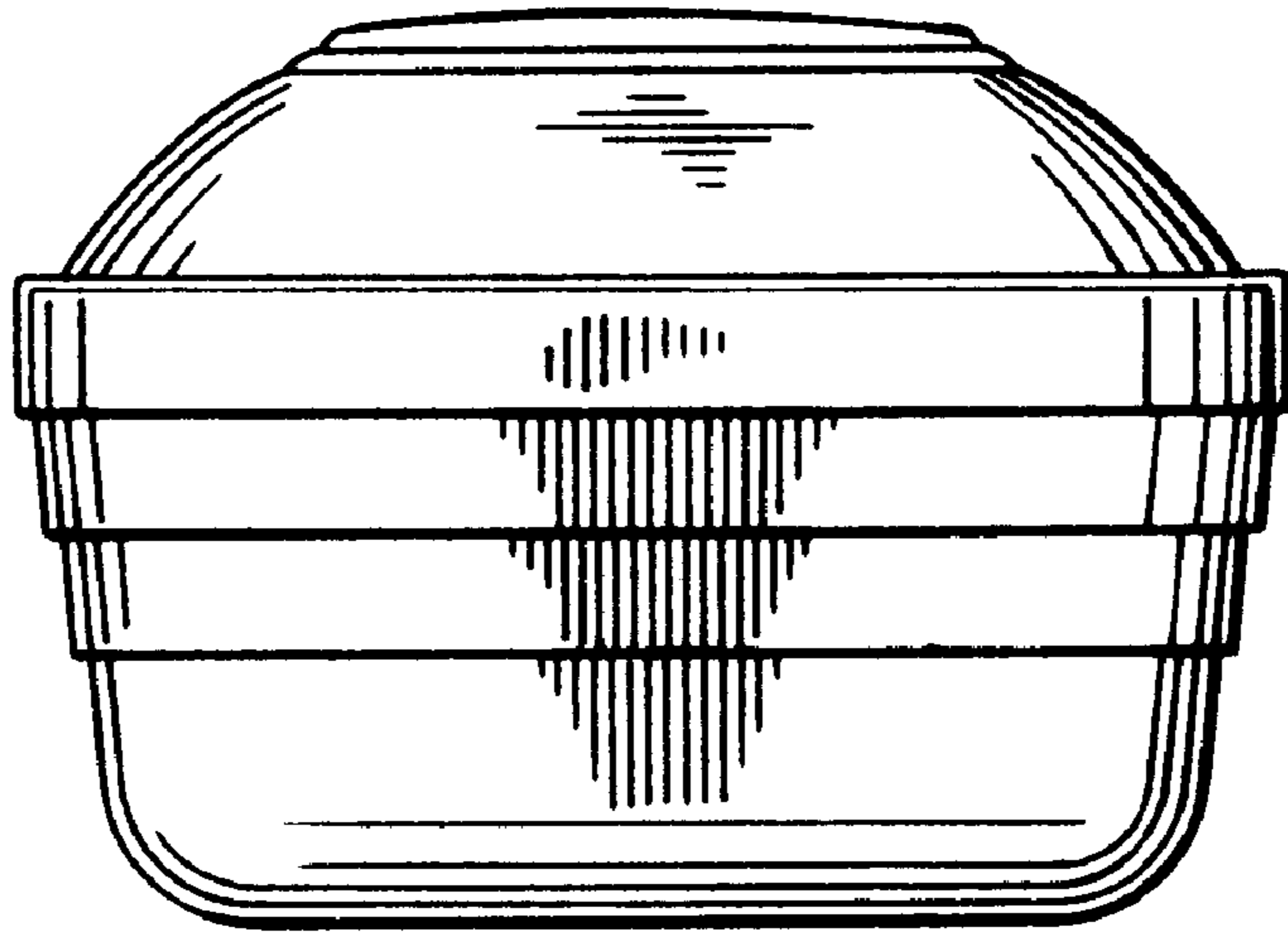


FIG. 6

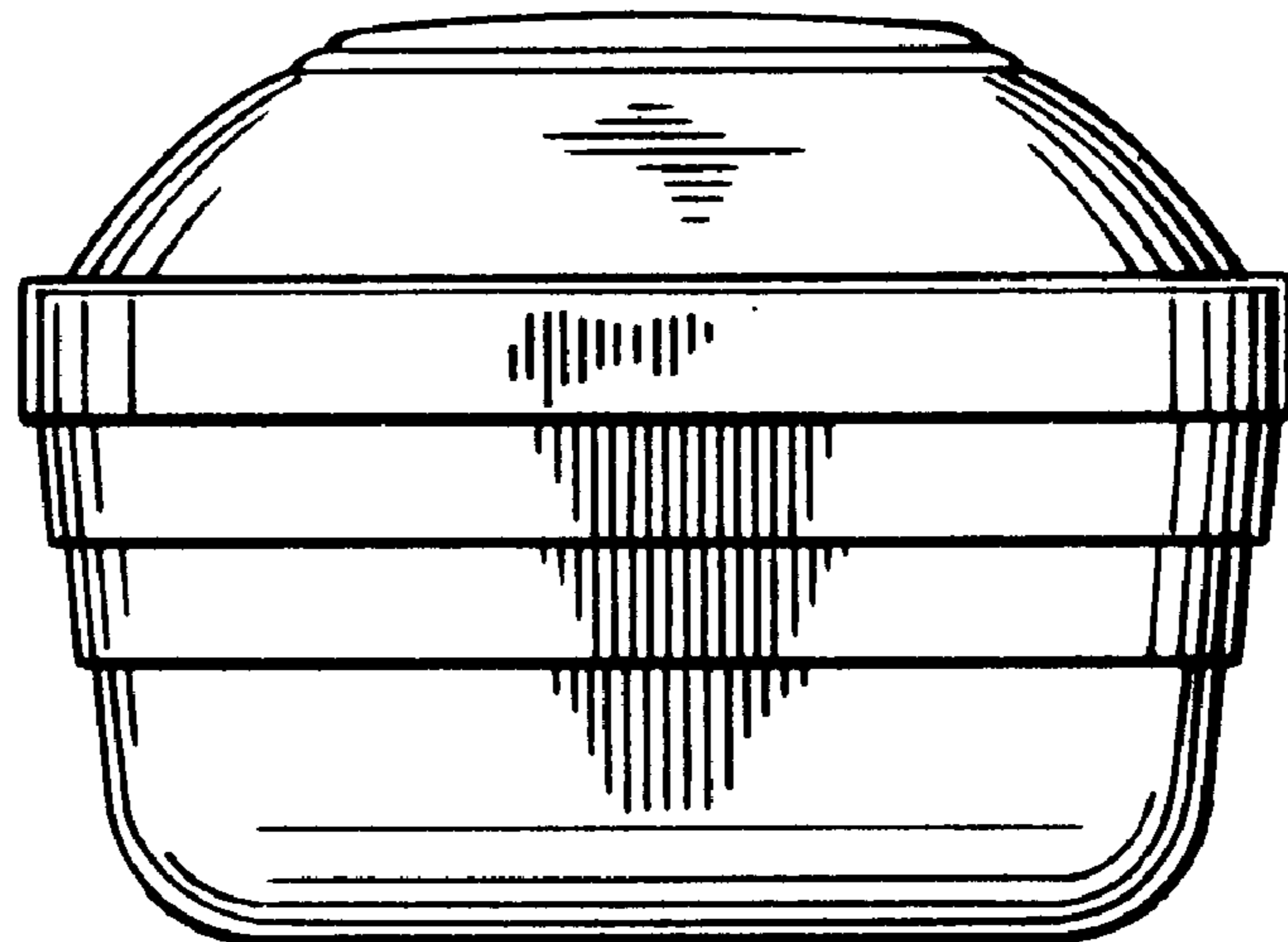


FIG. 7