



US00D420192S

# United States Patent [19] Cummings

[11] Patent Number: **Des. 420,192**

[45] Date of Patent: **\*\* Feb. 1, 2000**

[54] **CASKET**

[75] Inventor: **Kenneth E. Cummings**, Mississauga, Canada

[73] Assignee: **Castek Environmental Products Inc.**, Richmond Hill, Canada

[\*\*] Term: **14 Years**

[21] Appl. No.: **29/100,431**

[22] Filed: **Feb. 11, 1999**

### [30] Foreign Application Priority Data

Aug. 12, 1998 [CA] Canada ..... 1998-1946

[51] **LOC (7) Cl.** ..... **99-00**

[52] **U.S. Cl.** ..... **D99/1**

[58] **Field of Search** ..... D99/1, 2, 4, 6,  
D99/7, 8, 11; D8/319; 27/1, 2, 3, 4, 5,  
6, 7, 8, 9

### [56] References Cited

#### U.S. PATENT DOCUMENTS

D. 14,475	12/1883	Noble	.....	27/6
D. 48,999	5/1916	Walker	.....	D99/7
D. 107,324	12/1937	Schnelker	.....	D99/7
D. 112,054	11/1938	Christian	.....	D99/7
D. 183,868	11/1958	Wallace	.....	D99/1
D. 200,619	3/1965	Stepek	.....	D99/7 X
D. 334,662	4/1993	Van Berne	.....	D99/7
641,377	1/1900	Dunlap	.....	27/1

1,780,171	11/1930	Clarke	.....	27/2
3,164,880	1/1965	Hotchkiss	.....	27/3
4,253,220	3/1981	Work	.	
4,320,562	3/1982	Kelley	.	
4,759,105	7/1988	Buerosse	.....	27/6
4,800,631	1/1989	Pellman	.	
4,890,366	1/1990	Schaapveld	.	
5,222,281	6/1993	Guërin	.	

### OTHER PUBLICATIONS

York "Stainless Steel" brochure—8 pages, undated.  
York "Steel Caskets" brochure—8 pages, undated.  
York "Precious Metals" brochure—8 pages, undated.  
York "Hardwood Caskets" brochure—8 pages, undated.

*Primary Examiner*—Paula A. Mortimer  
*Attorney, Agent, or Firm*—Trevor C. Klotz

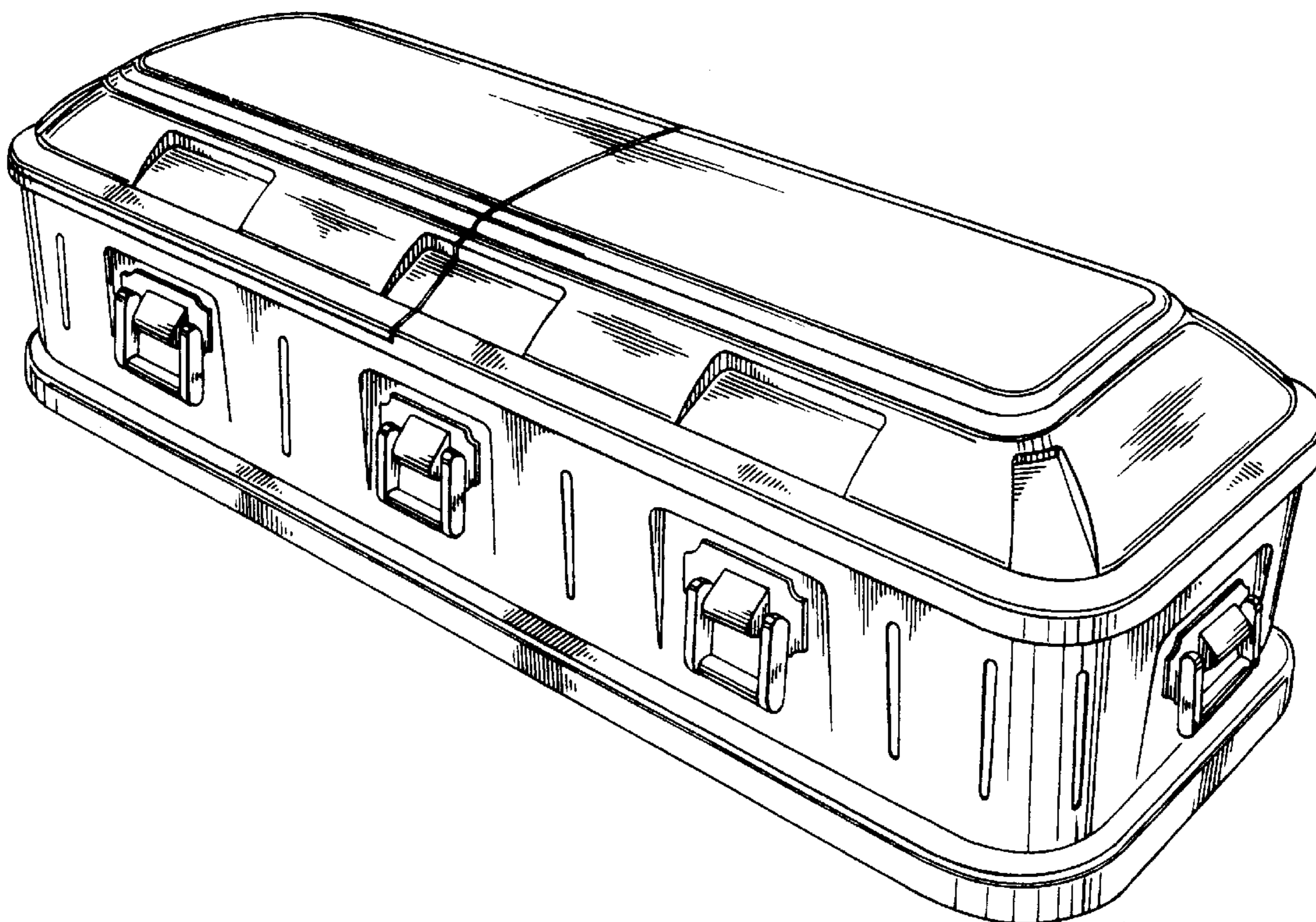
### [57] CLAIM

I claim the ornamental design for a casket, as shown.

### DESCRIPTION

FIG. 1 is a front perspective view taken from the right side showing my new design;  
FIG. 2 is a top plan view of the design;  
FIG. 3 is a bottom plan view of the design;  
FIG. 4 is a front elevation of the design;  
FIG. 5 is a rear elevation of the design;  
FIG. 6 is a left side elevation of the design; and,  
FIG. 7 is a right side elevation of the design.

**1 Claim, 4 Drawing Sheets**



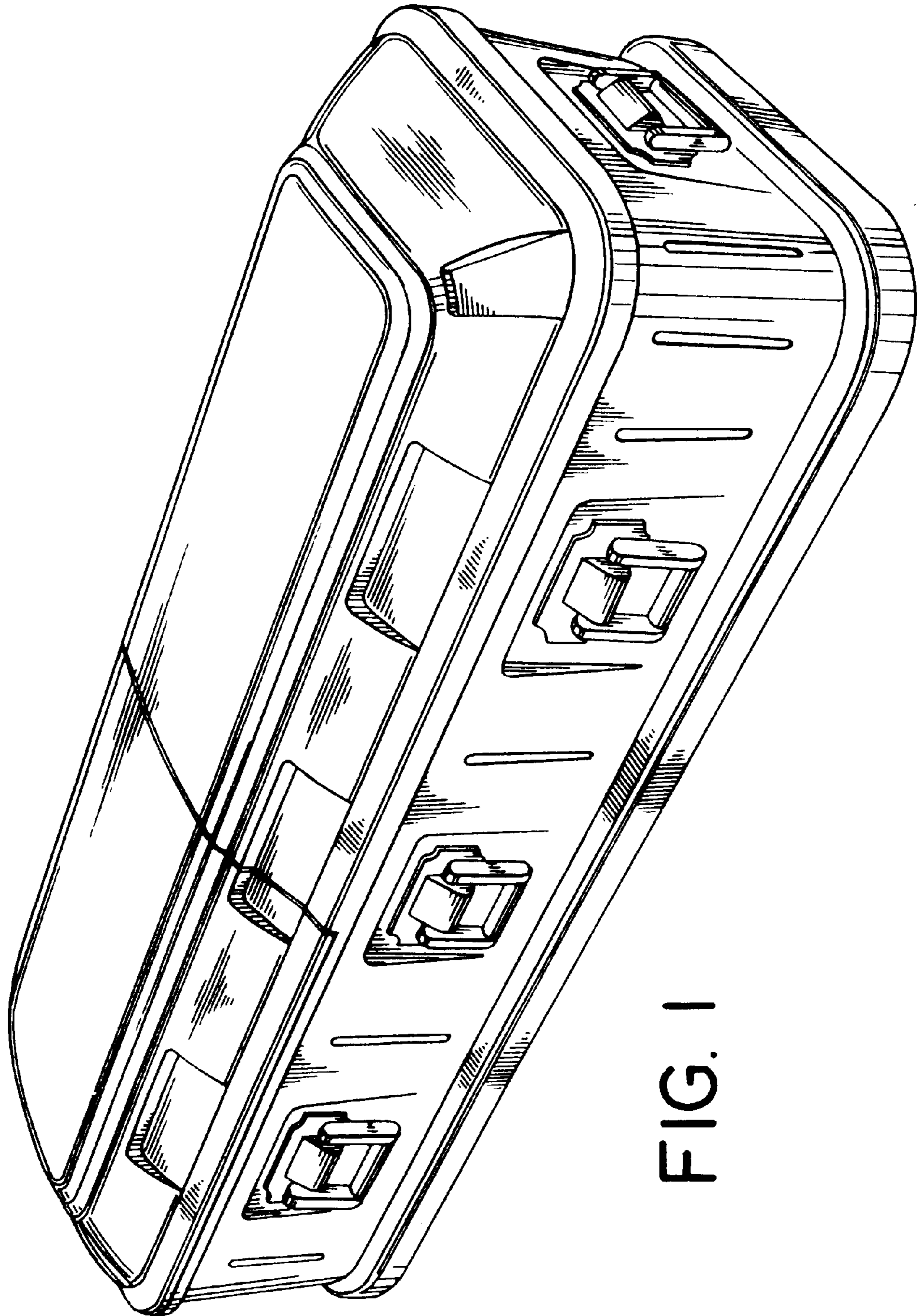


FIG. 1

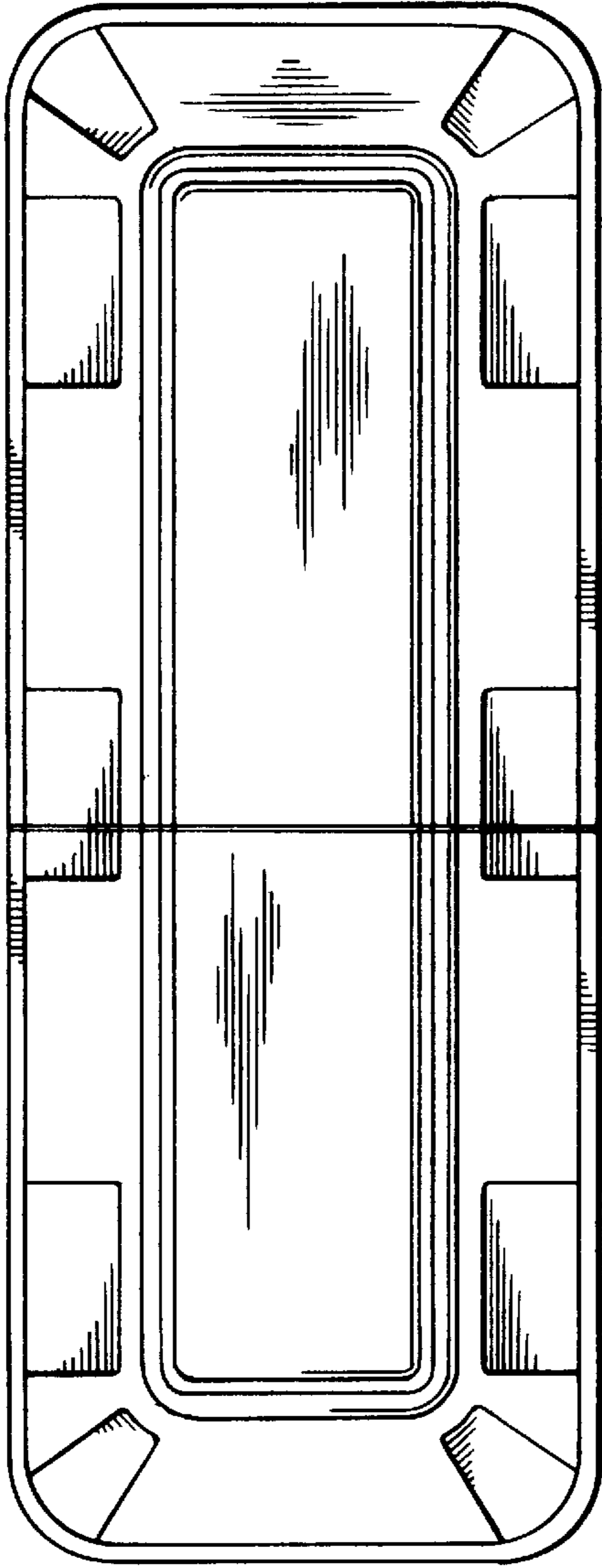


FIG. 2

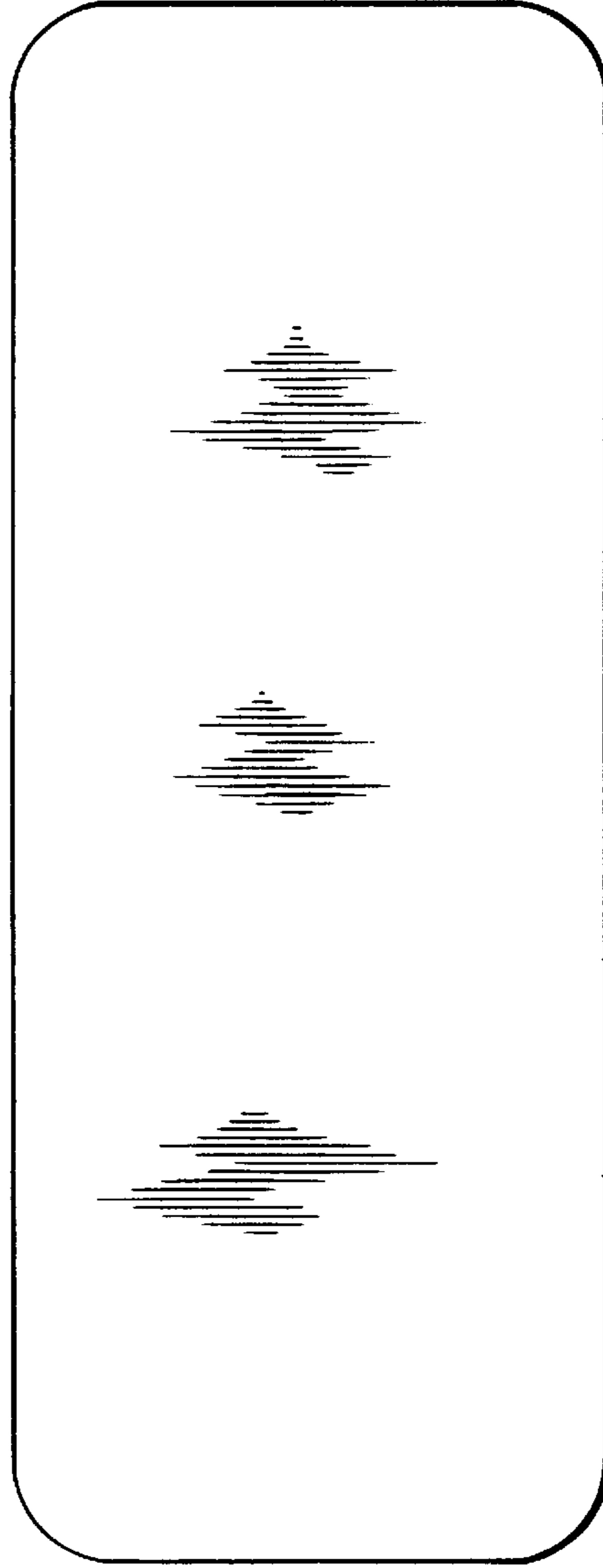


FIG. 3

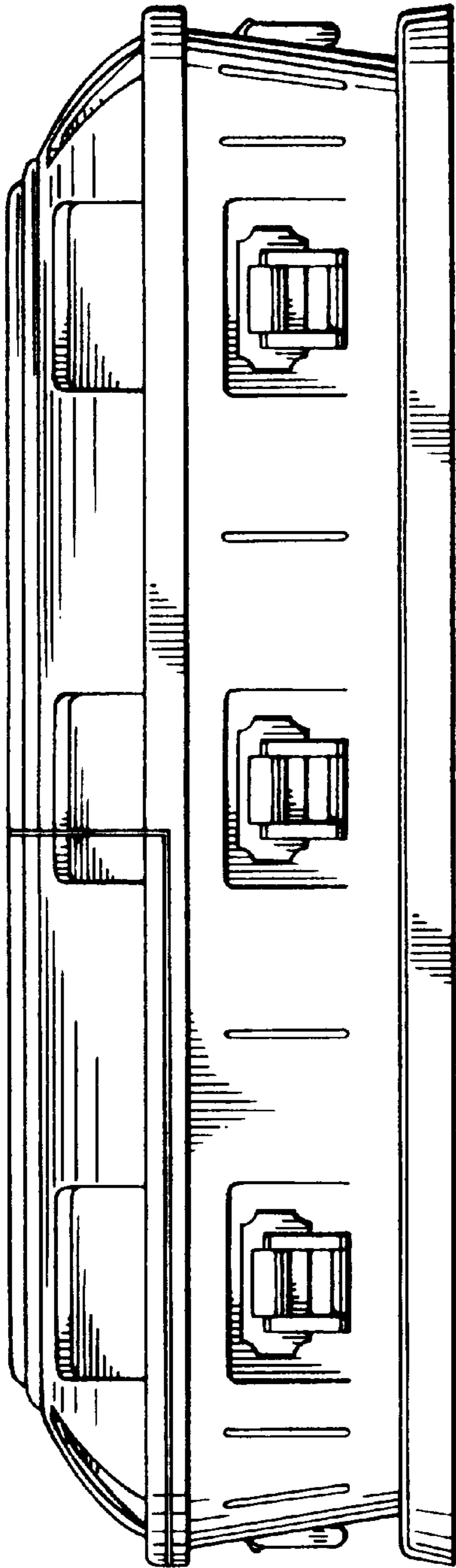


FIG. 4

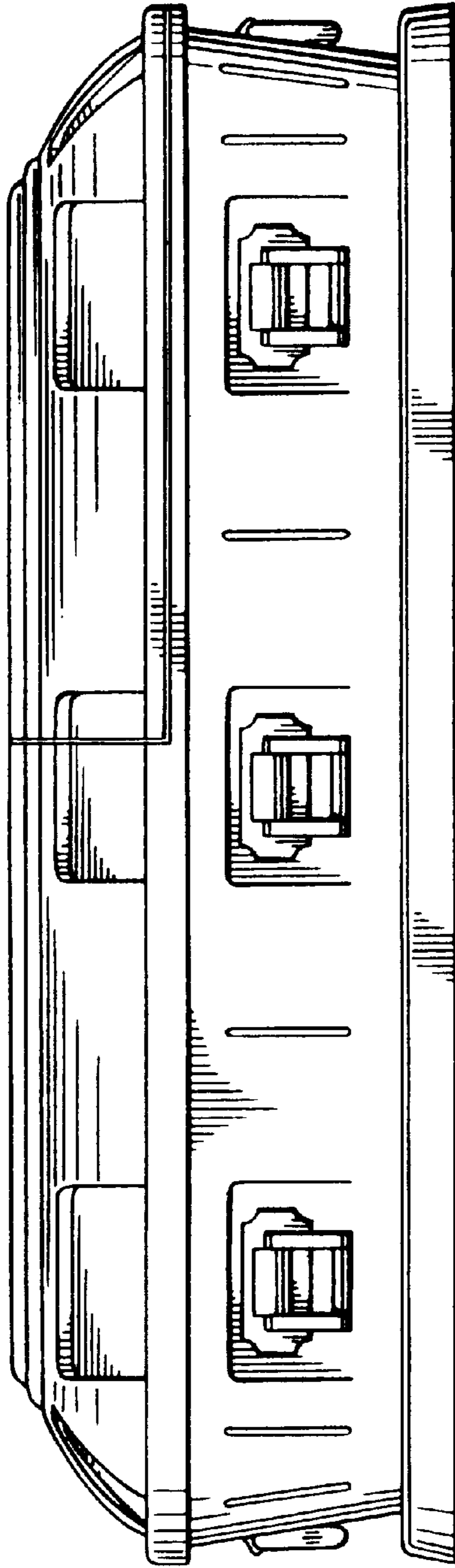


FIG. 5

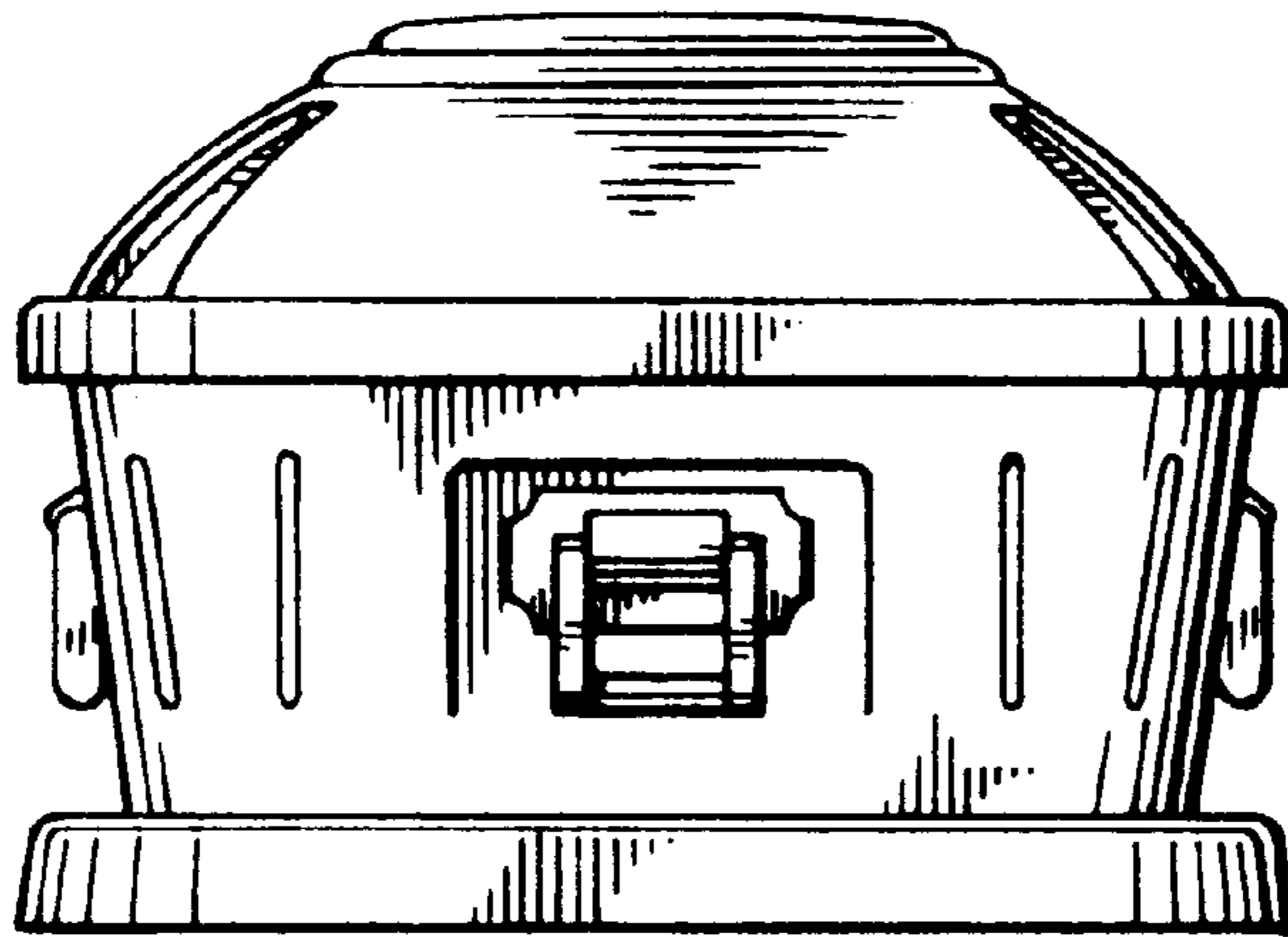


FIG. 6

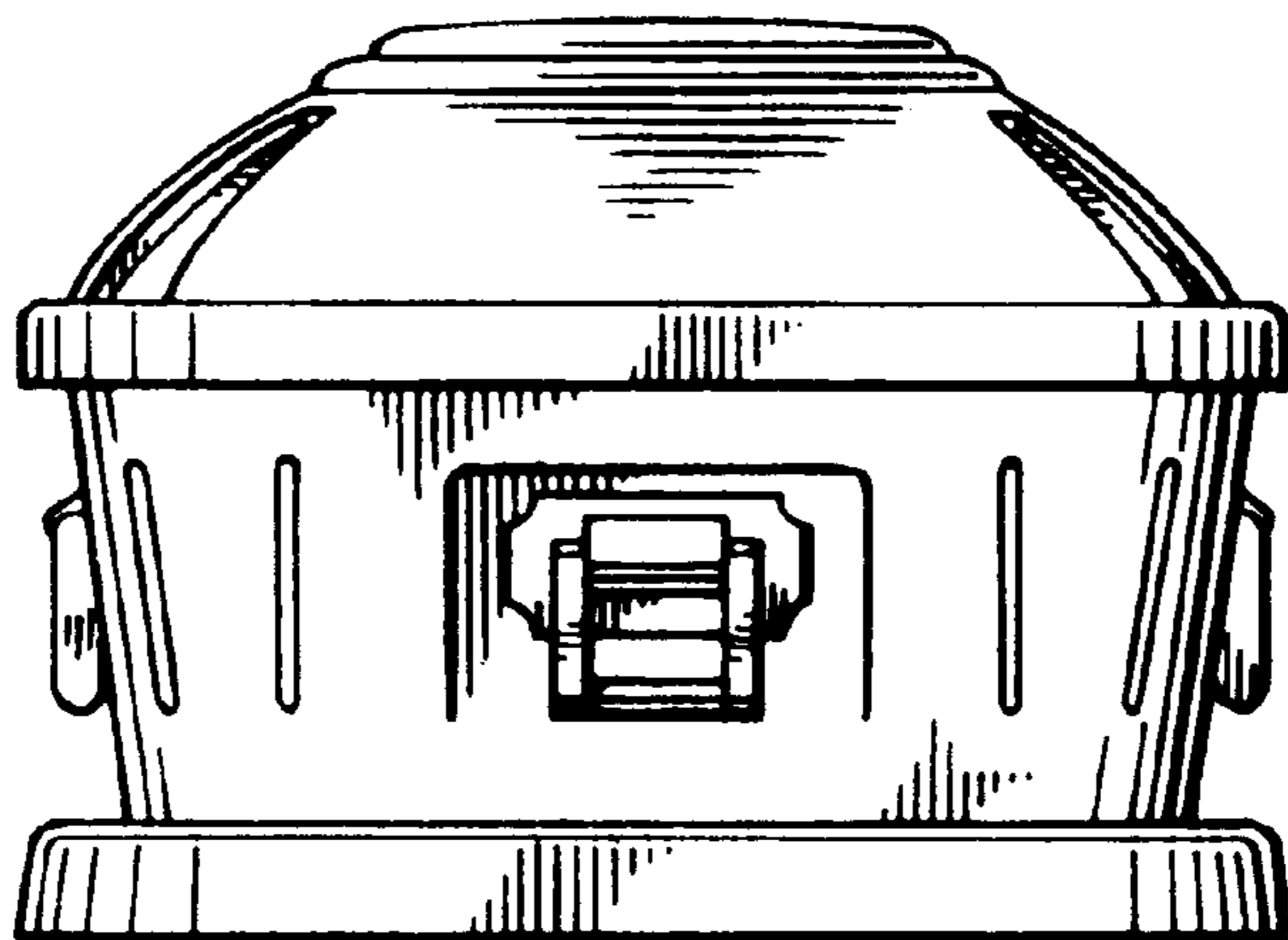


FIG. 7