



US00D420188S

# United States Patent [19] Betcher

[11] Patent Number: **Des. 420,188**

[45] Date of Patent: **\*\* Feb. 1, 2000**

[54] **WASTE FLUID TRANSFER TANKER**

[75] Inventor: **Larry W. Betcher**, Northfield, Minn.

[73] Assignee: **SPX Corporation**, Muskegon, Mich.

[\*\*] Term: **14 Years**

[21] Appl. No.: **29/095,052**

[22] Filed: **Oct. 15, 1998**

[51] **LOC (7) Cl.** ..... **12-02**

[52] **U.S. Cl.** ..... **D34/23; D15/150**

[58] **Field of Search** ..... D34/23; D23/200,  
D23/202, 208; D9/337, 307, 308; D15/150,  
151, 152; D32/53.1; 184/106, 1.5; 220/571,  
573

[56] **References Cited**

**U.S. PATENT DOCUMENTS**

Re. 27,449	8/1972	Bartz	184/106
D. 248,845	8/1978	White et al.	D15/150
D. 294,332	2/1988	Harrison	D9/337
D. 299,178	12/1988	Smith	D34/23
D. 322,933	1/1992	Hutchison	D9/337
D. 328,172	7/1992	Juergens	D34/23
D. 345,637	3/1994	Chrisco et al.	D32/35
D. 390,314	2/1998	Chen	D34/23
D. 395,533	6/1998	Morison et al.	D34/23 X

1,554,589	9/1925	Long	184/1.5 X
4,010,863	3/1977	Ebel	220/571
4,301,841	11/1981	Sadow	220/573 X
4,632,268	12/1986	Malzi et al.	220/573 X
4,802,599	2/1989	Hill	220/571

*Primary Examiner*—Susan J. Lucas  
*Assistant Examiner*—Cynthia E. Ramirez  
*Attorney, Agent, or Firm*—Hovey, Williams, Timmons & Collins

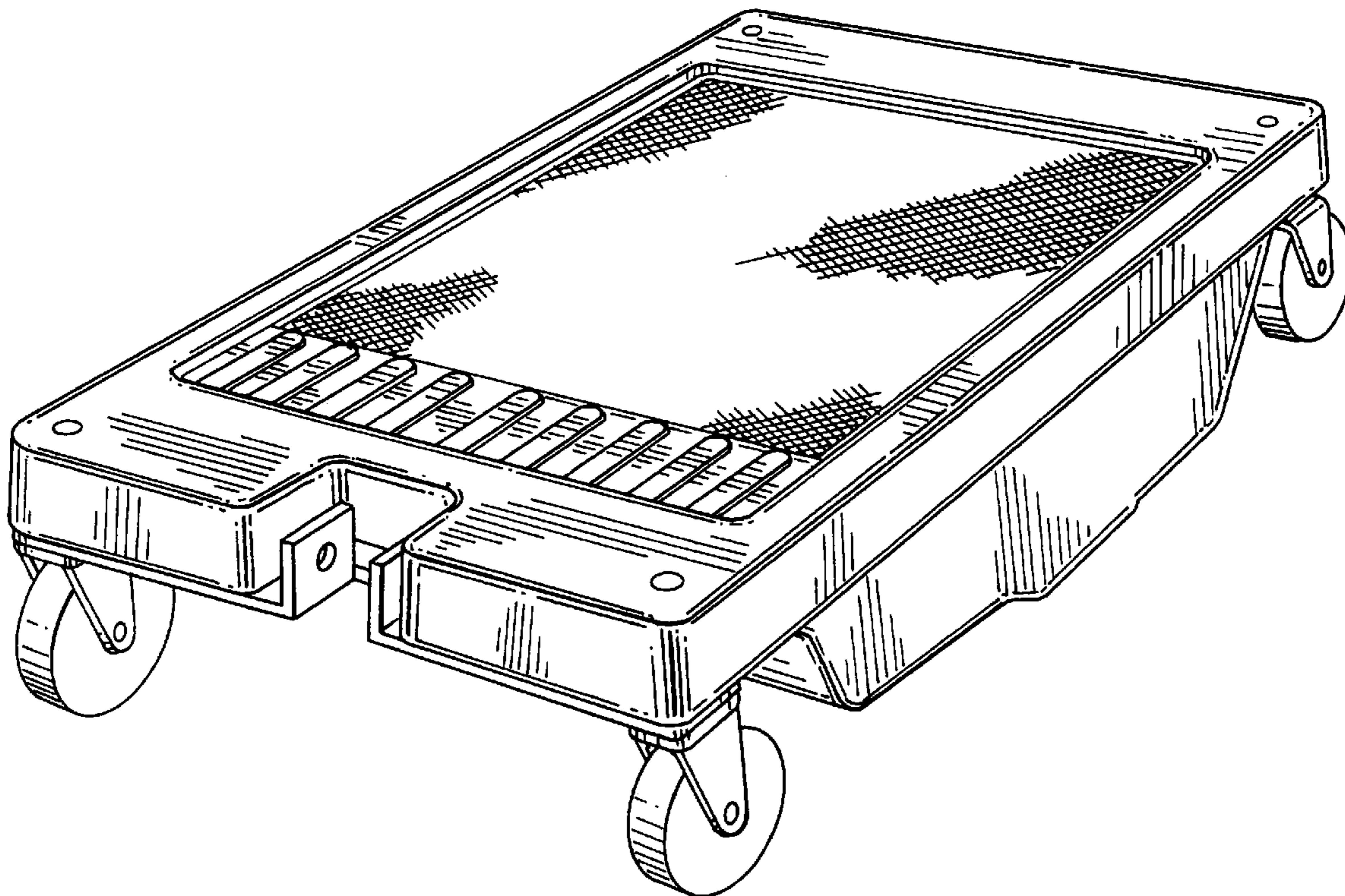
[57] **CLAIM**

The ornamental design for a waste fluid transfer tanker, as shown and described.

**DESCRIPTION**

FIG. 1 is a top, left, front pictorial view of my waste fluid transfer tanker;  
FIG. 2 is a top plan view thereof;  
FIG. 3 is a bottom plan view thereof;  
FIG. 4 is a left elevational view thereof with the right elevational view being a mirror image thereof;  
FIG. 5 is a front elevational view thereof; and,  
FIG. 6 is a rear elevational view thereof.  
The cross hatching shading in FIGS. 1 and 2 is fragmentarily shown for convenience of illustration, it being understood that it is uniformly continuous over the surface on which it appears.

**1 Claim, 3 Drawing Sheets**



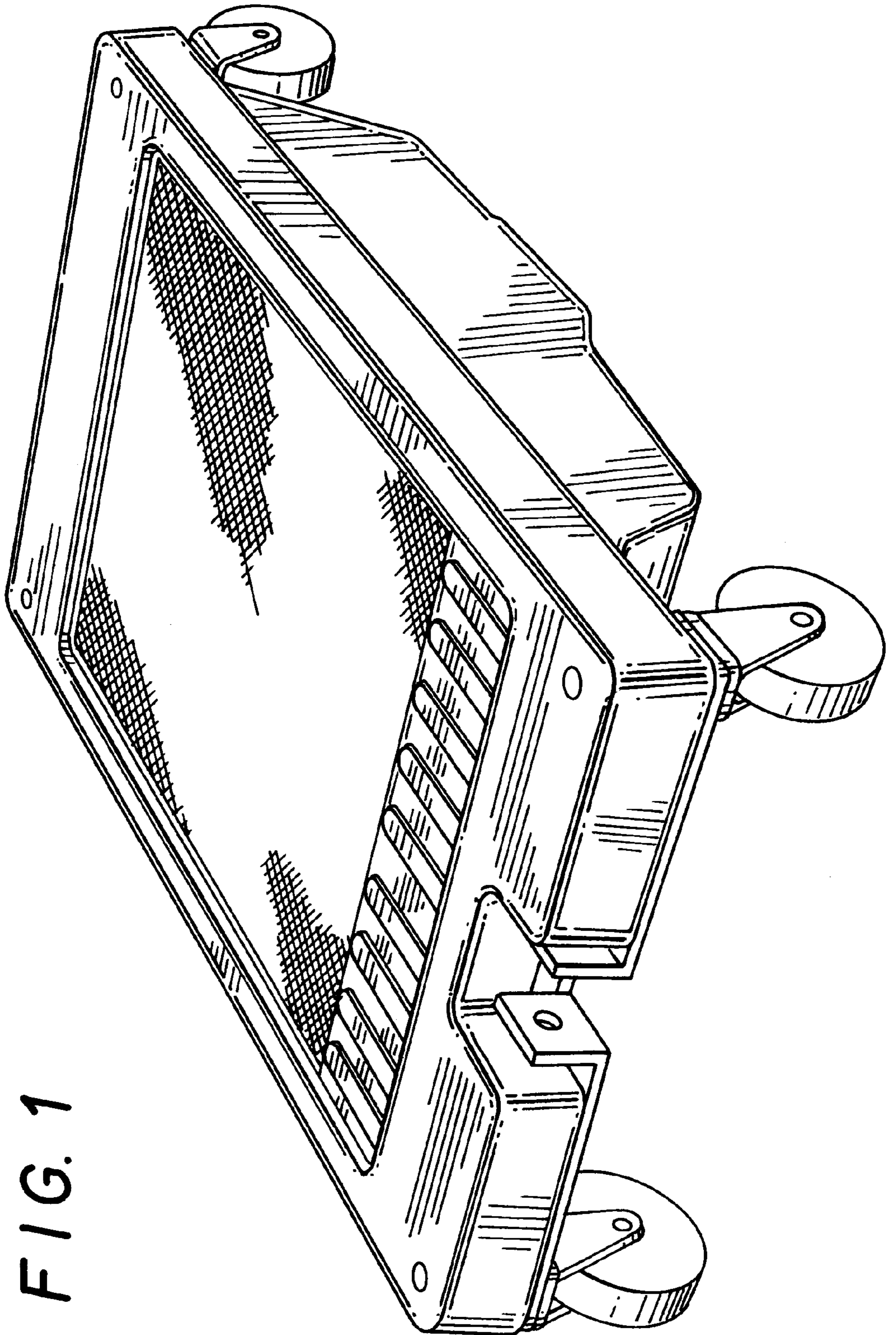


FIG. 1

FIG. 2

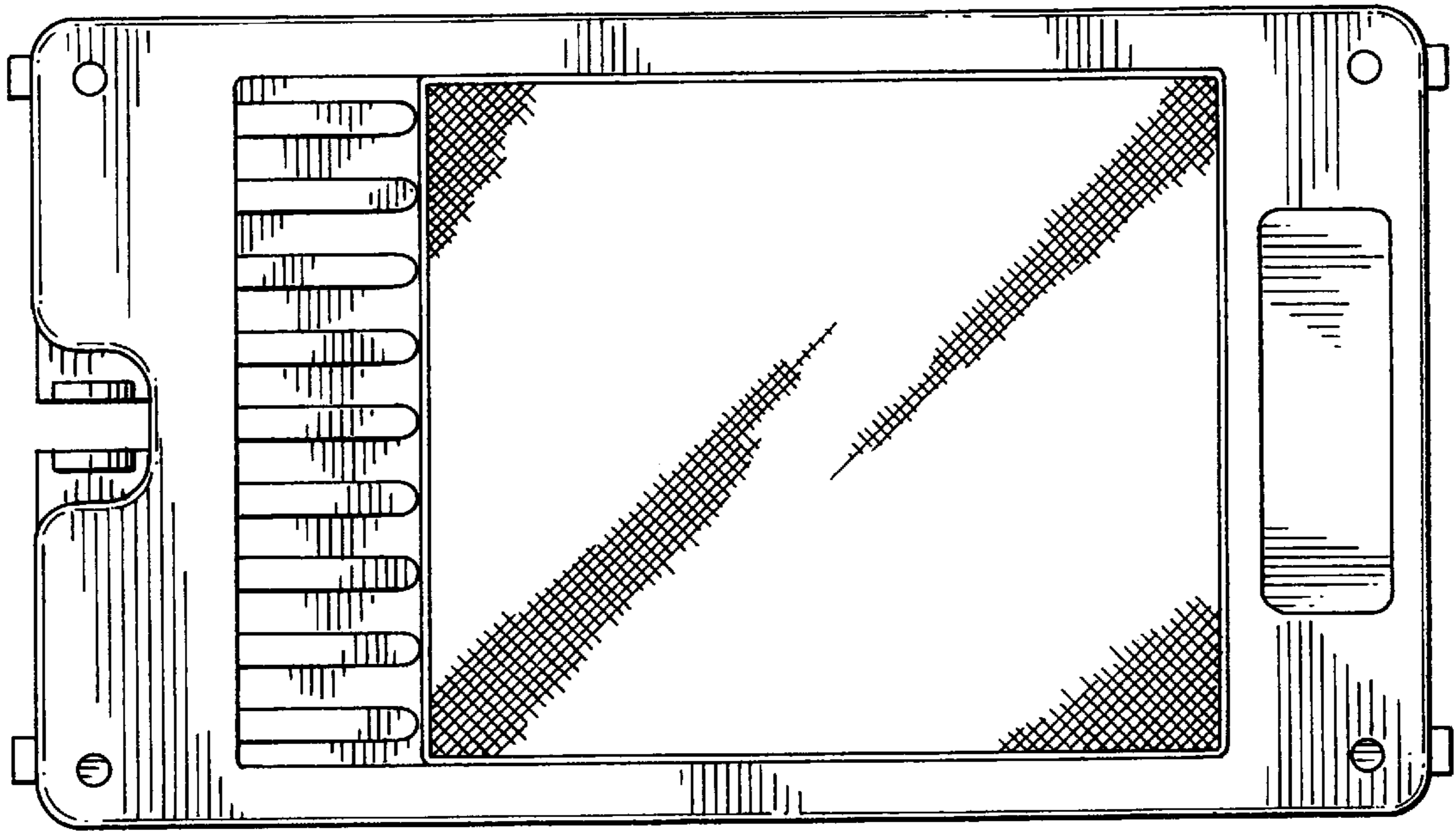
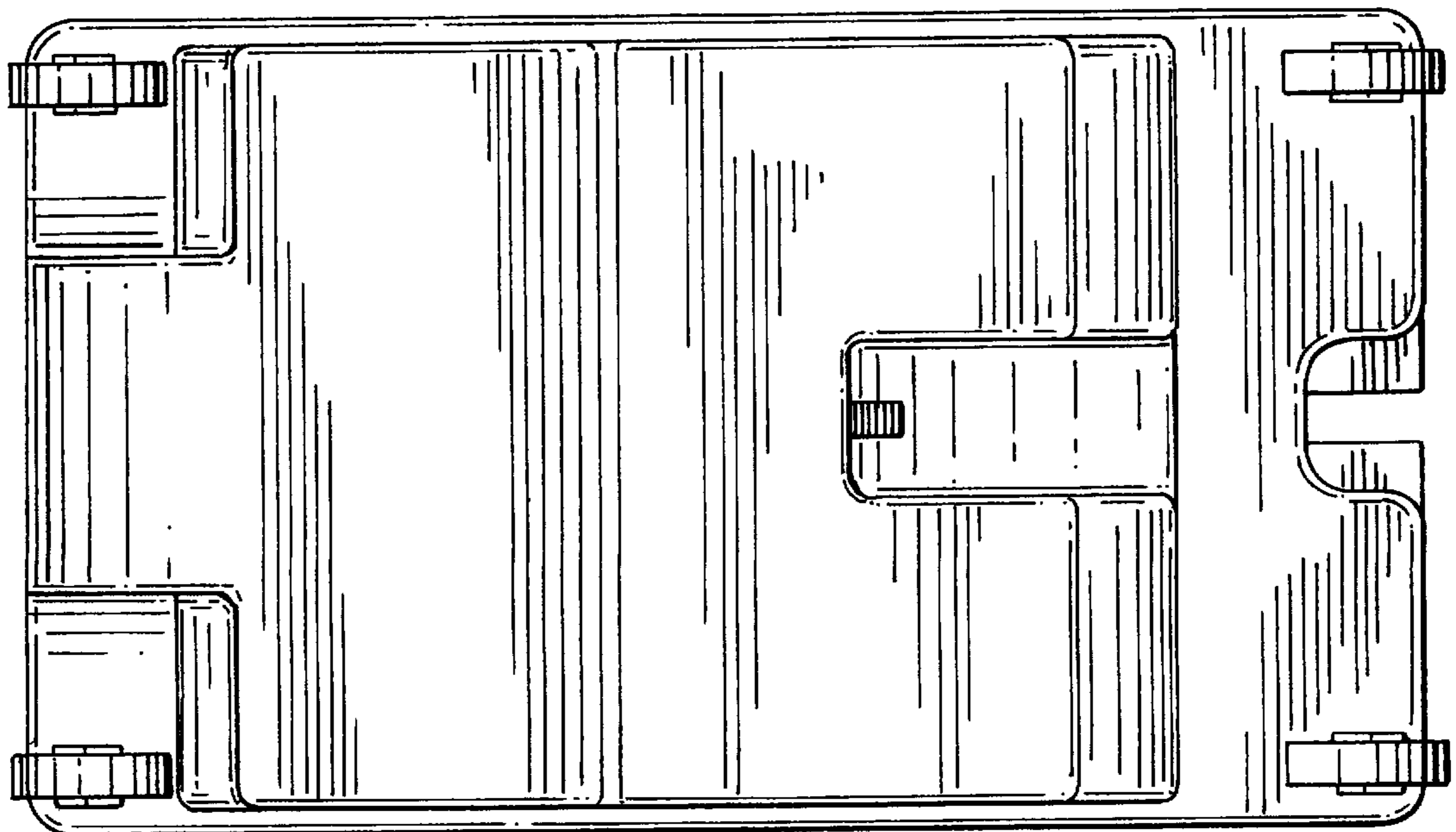
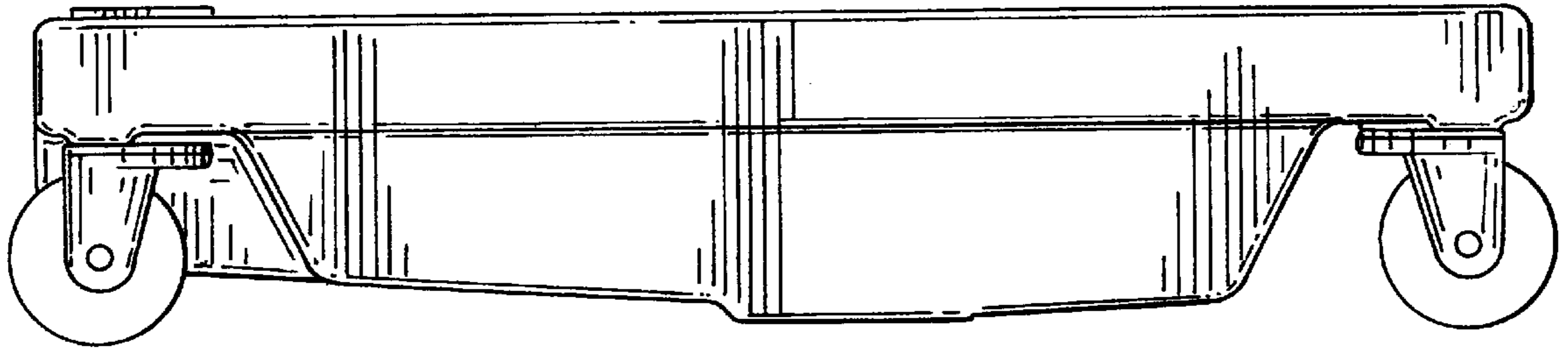
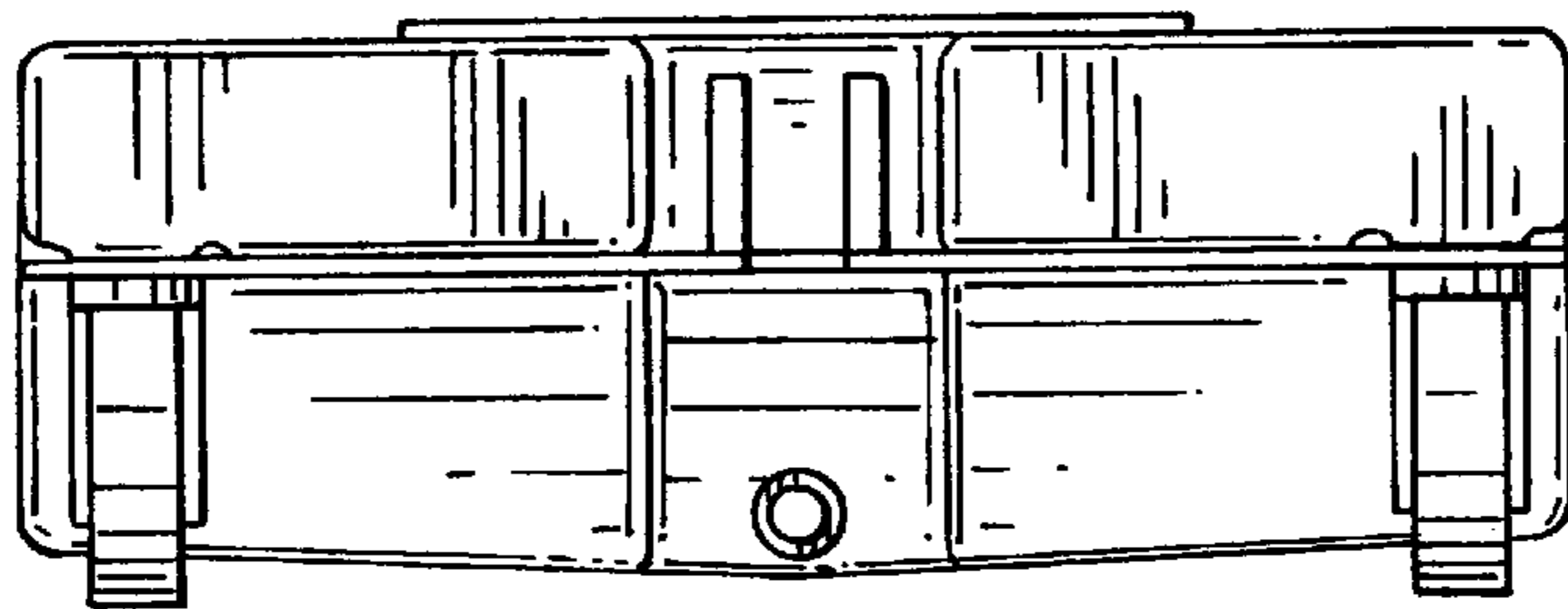


FIG. 3

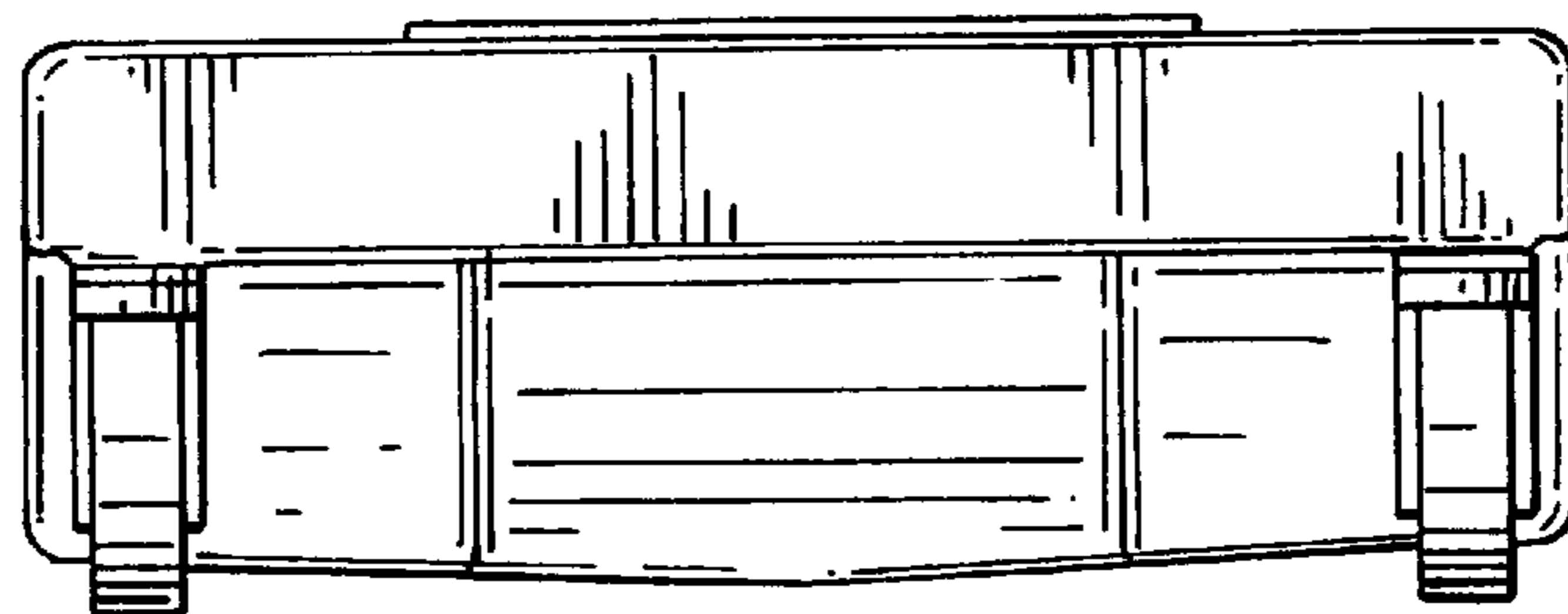




*FIG. 4*



*FIG. 5*



*FIG. 6*