



US00D420187S

# United States Patent [19] Houry

[11] Patent Number: **Des. 420,187**

[45] Date of Patent: **\*\* Feb. 1, 2000**

[54] **TILT TRUCK**

5,615,903 4/1997 Spear et al. .

[75] Inventor: **Robert L. Houry**, Chesterfield, Mo.

### OTHER PUBLICATIONS

[73] Assignee: **Contico International, Inc.**, St. Louis, Mo.

Rubbermaid Commercial Products, Inc. 1995–1996 Sanitary Products Catalog.

[\*\*] Term: **14 Years**

Dandux Tilt Trucks Advertisement (Circa 1996).

[21] Appl. No.: **29/096,452**

Chem-Tainer Industries, Inc. “Maxi-Movers” Catalog (Circa 1996).

[22] Filed: **Nov. 12, 1998**

Toter Incorporated “2 Cubic Yard Mobile Truck” (Circa 1996).

[51] **LOC (7) Cl.** ..... **12-02**

*Primary Examiner*—Kay H. Chin

[52] **U.S. Cl.** ..... **D34/19; D34/12; D34/5**

*Attorney, Agent, or Firm*—Howell & Haferkamp, L.C.

[58] **Field of Search** ..... D34/12–27, 1, D34/5, 7, 10; 280/47.18, 47.23, 47.24, 47.26, 47.34, 652; 220/908–910

### [57] CLAIM

The ornamental design for a tilt truck, as shown and described,

### [56] References Cited

### DESCRIPTION

#### U.S. PATENT DOCUMENTS

- D. 303,307 9/1989 Juergens .
- D. 311,621 10/1990 Fuller .
- D. 352,584 11/1994 Boyd .
- D. 356,411 3/1995 Gingras et al. .
- D. 361,186 8/1995 Kowalski et al. .
- D. 361,190 8/1995 Gingras et al. .
- D. 361,191 8/1995 Kowalski et al. .
- D. 365,428 12/1995 Prout et al. .
- D. 370,326 5/1996 Chapman et al. .
- D. 381,164 7/1997 Prout et al. .
- D. 383,279 9/1997 Brescia et al. .
- 3,346,271 10/1967 Parsons .
- 3,858,929 1/1975 Brescia .
- 4,511,154 4/1985 Daloisio .

FIG. 1 is a perspective view of a tilt truck showing my new design;

FIG. 2 is a right side elevational view of the tilt truck of FIG. 1, the left side elevational view of the tilt truck being a mirror image thereof;

FIG. 3 is a front elevational view of the tilt truck of FIG. 1; FIG. 4 is a rear elevational view of the tilt truck of FIG. 1; FIG. 5 is a top plan view of the tilt truck of FIG. 1; and, FIG. 6 is a bottom plan view of the tilt truck of FIG. 1.

The broken line showing in the Figures of the wheels, the casters, the frame, and the handle is for illustrative purposes only and forms no part of the claimed design.

**1 Claim, 5 Drawing Sheets**

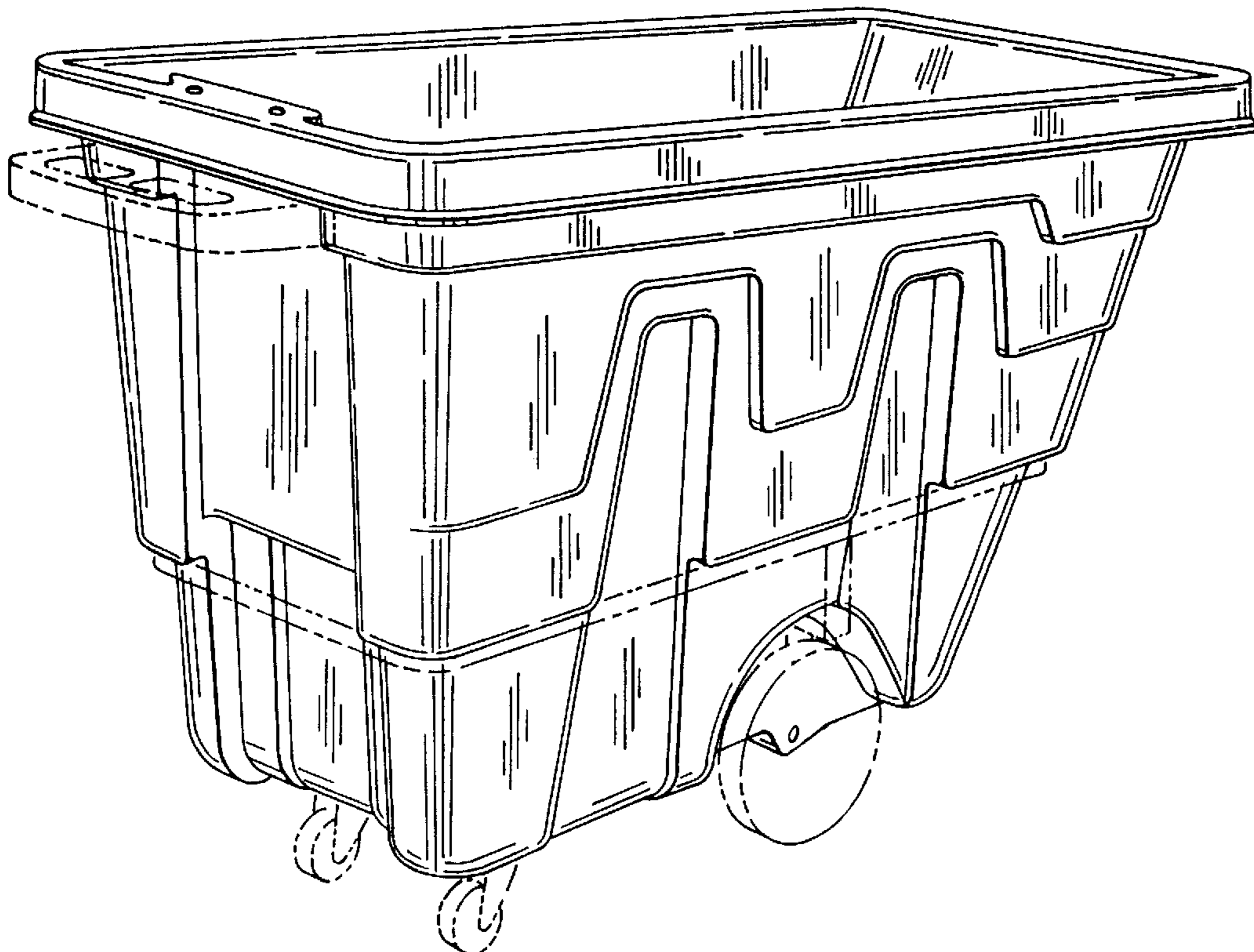


FIG. 1

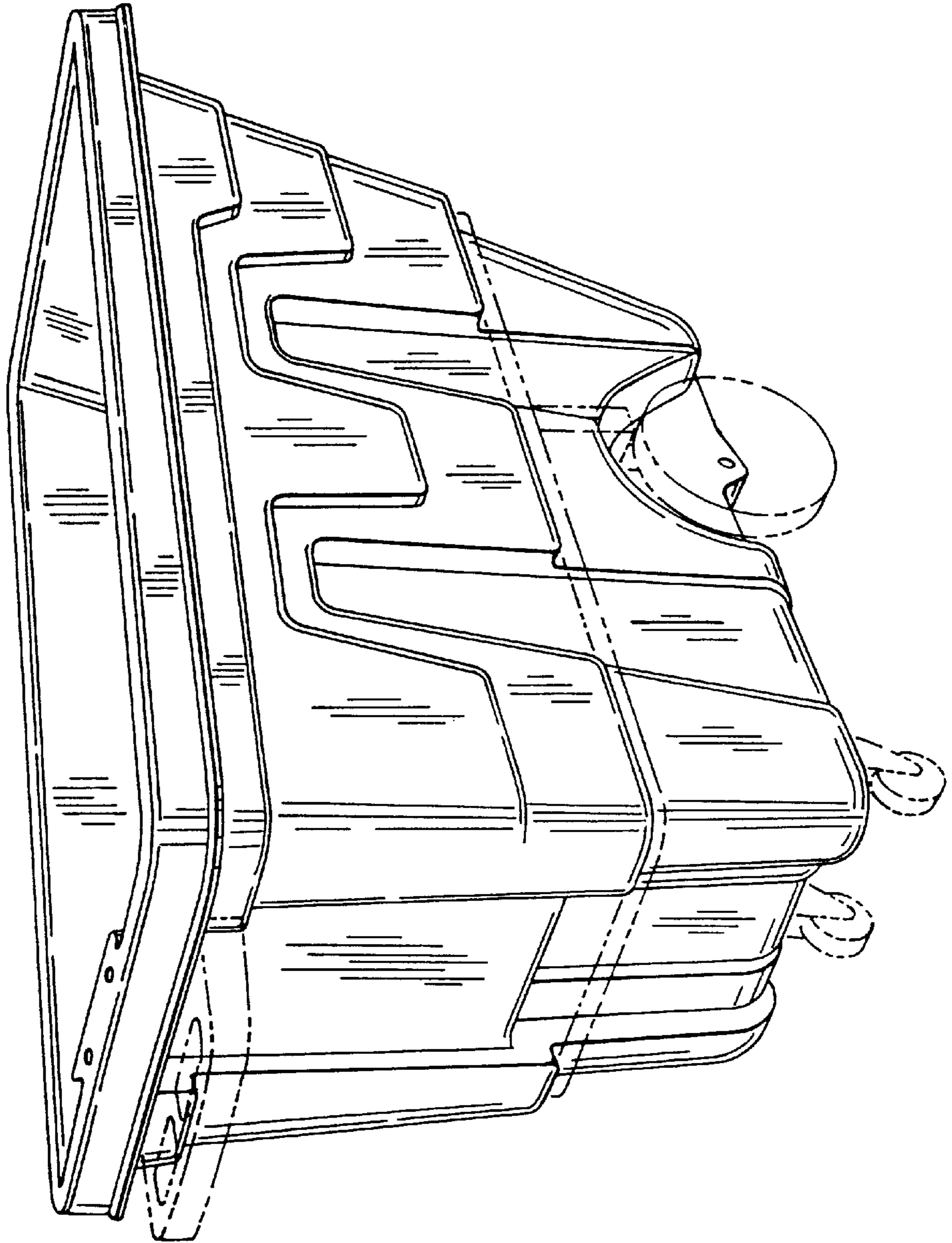


FIG. 2

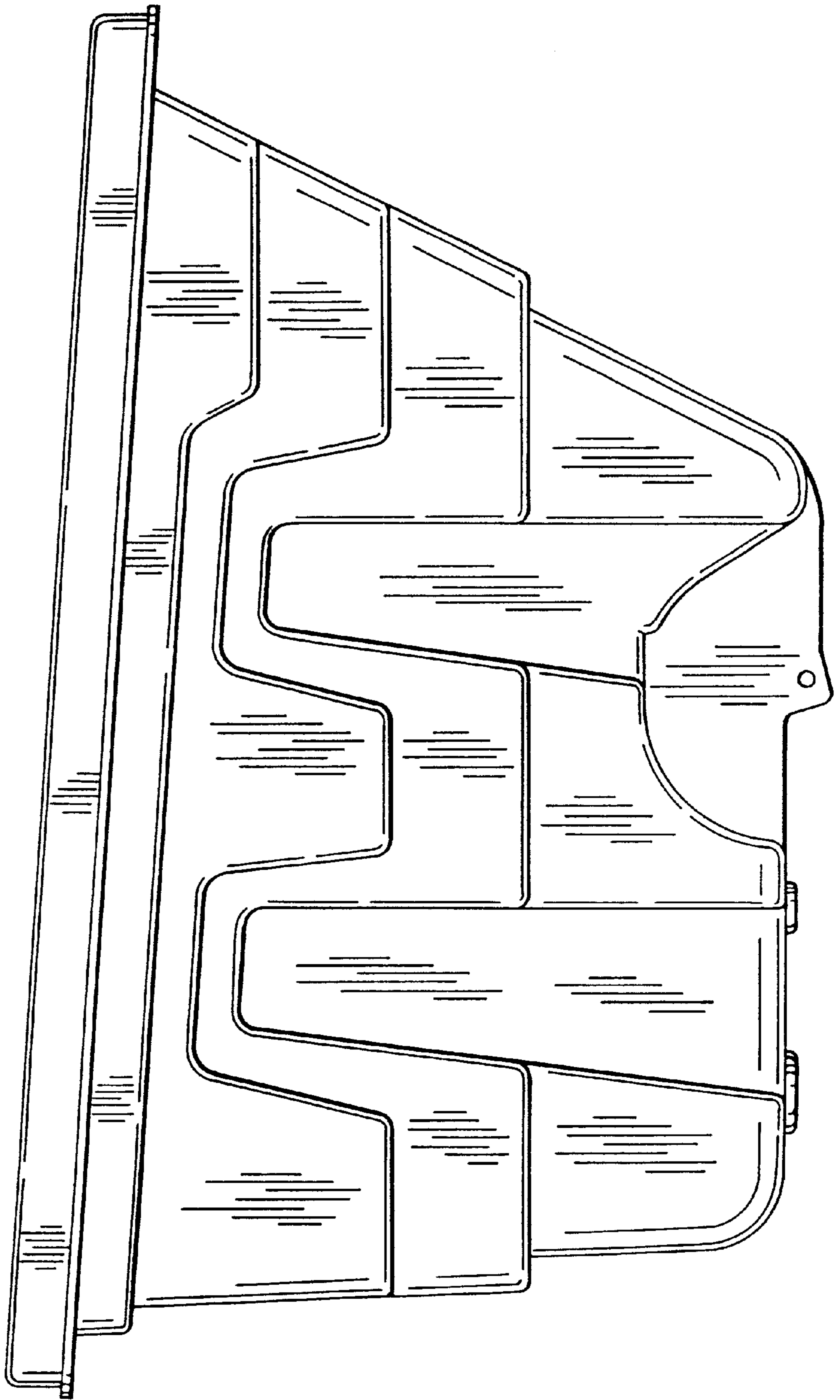


FIG. 4

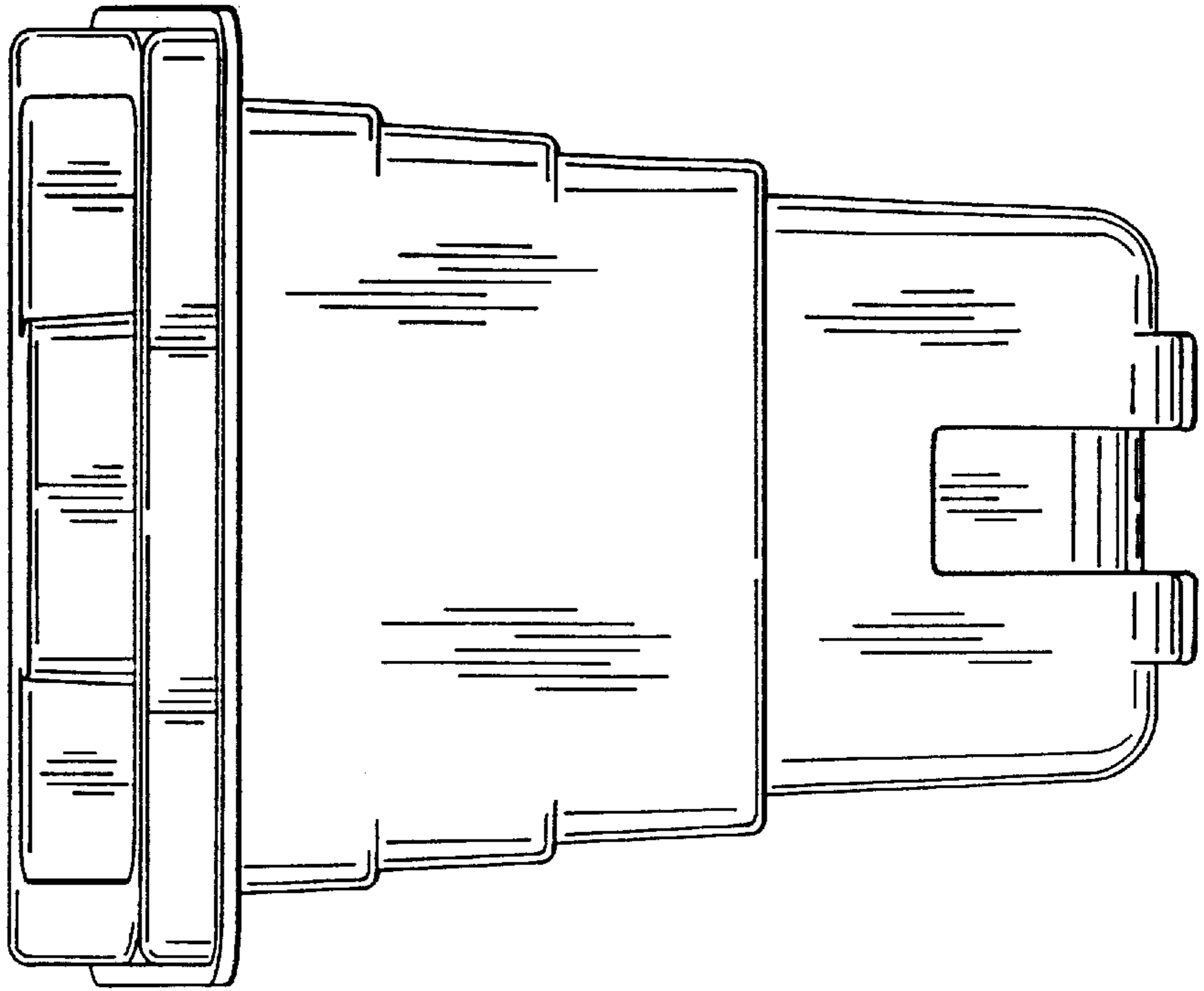


FIG. 3

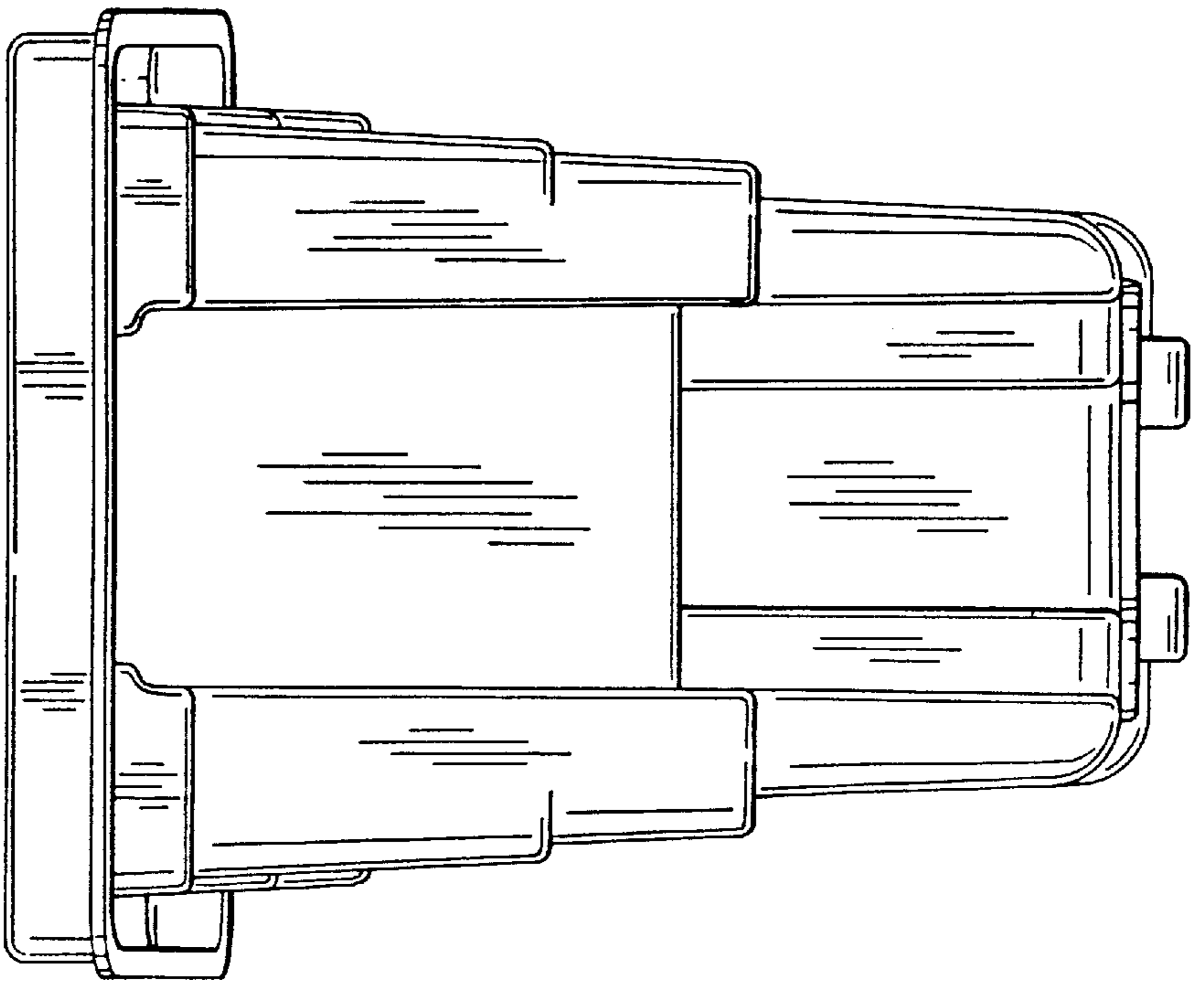


FIG. 5

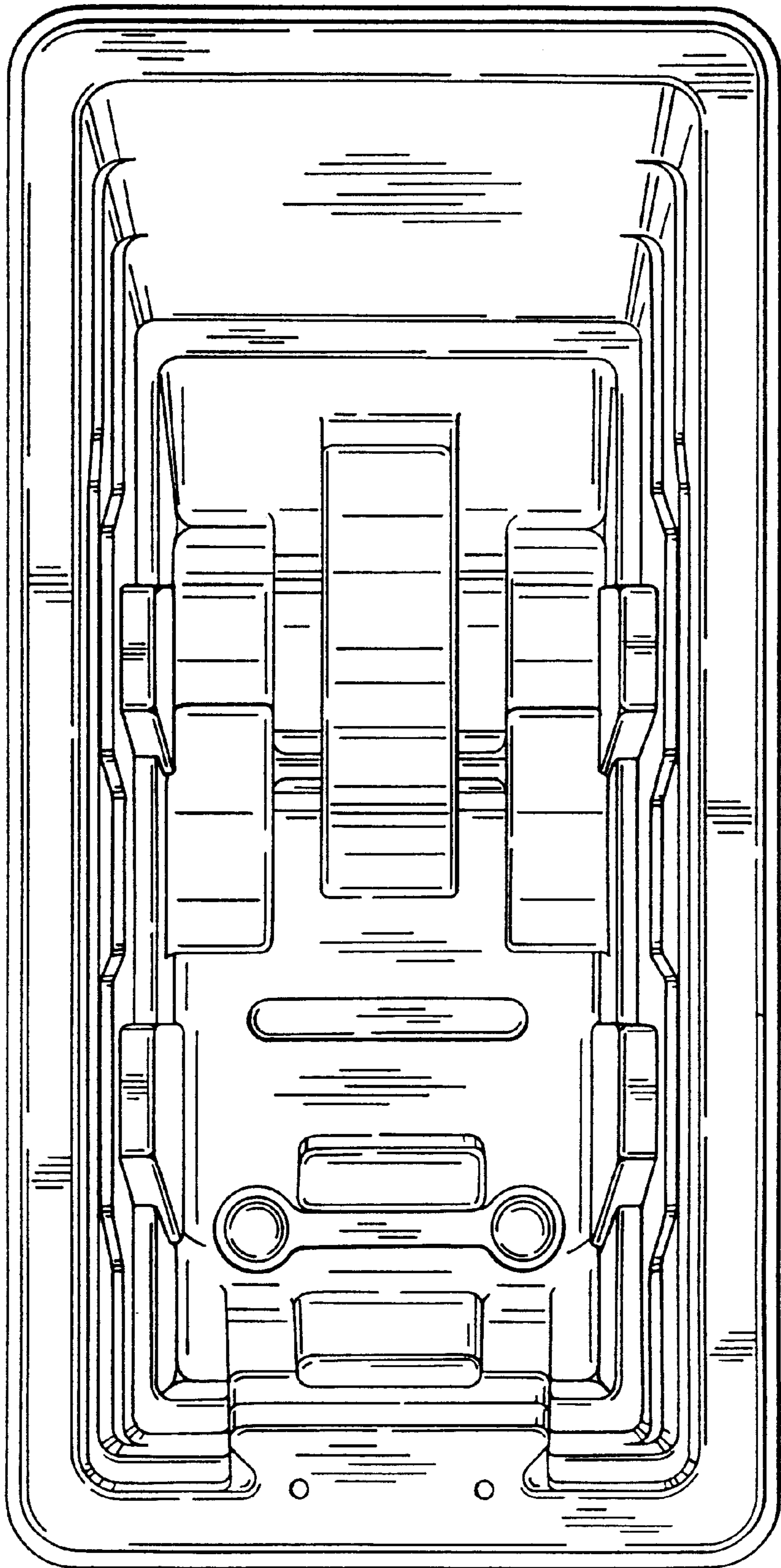


FIG. 6

