



US00D420186S

# United States Patent [19]

Mockett

[11] Patent Number: Des. 420,186

[45] Date of Patent: \*\* Feb. 1, 2000

[54] VIDEO RETURN

4,069,965 1/1978 Maddox, Jr. .... 232/43.1  
4,892,224 1/1990 Graham ..... 248/100 X

[76] Inventor: Douglas A. J. Mockett, 3504 Via Campensina, Rancho Palos Verdes, Calif. 90274

Primary Examiner—Susan J. Lucas  
Assistant Examiner—Cynthia E. Ramirez  
Attorney, Agent, or Firm—Sanford Astor

[\*\*] Term: 14 Years

### [57] CLAIM

[21] Appl. No.: 29/093,022

The ornamental design for a video return, as shown and described.

[22] Filed: Sep. 1, 1998

### DESCRIPTION

[51] LOC (7) Cl. .... 09-09

[52] U.S. Cl. .... D34/10; D34/6; D34/11

[58] Field of Search ..... D34/1-11; 220/908, 220/909, 910, 254, 287, 9.1, 495.88; 232/43.2, 43.1, 44; 248/97-100

FIG. 1 is a perspective view of the video return showing my new design;

FIG. 2 is a front elevational view thereof;

FIG. 3 is a side elevational view thereof, both sides being the same;

FIG. 4 is a back view thereof;

FIG. 5 is a top plan view thereof; and,

FIG. 6 is a bottom view thereof.

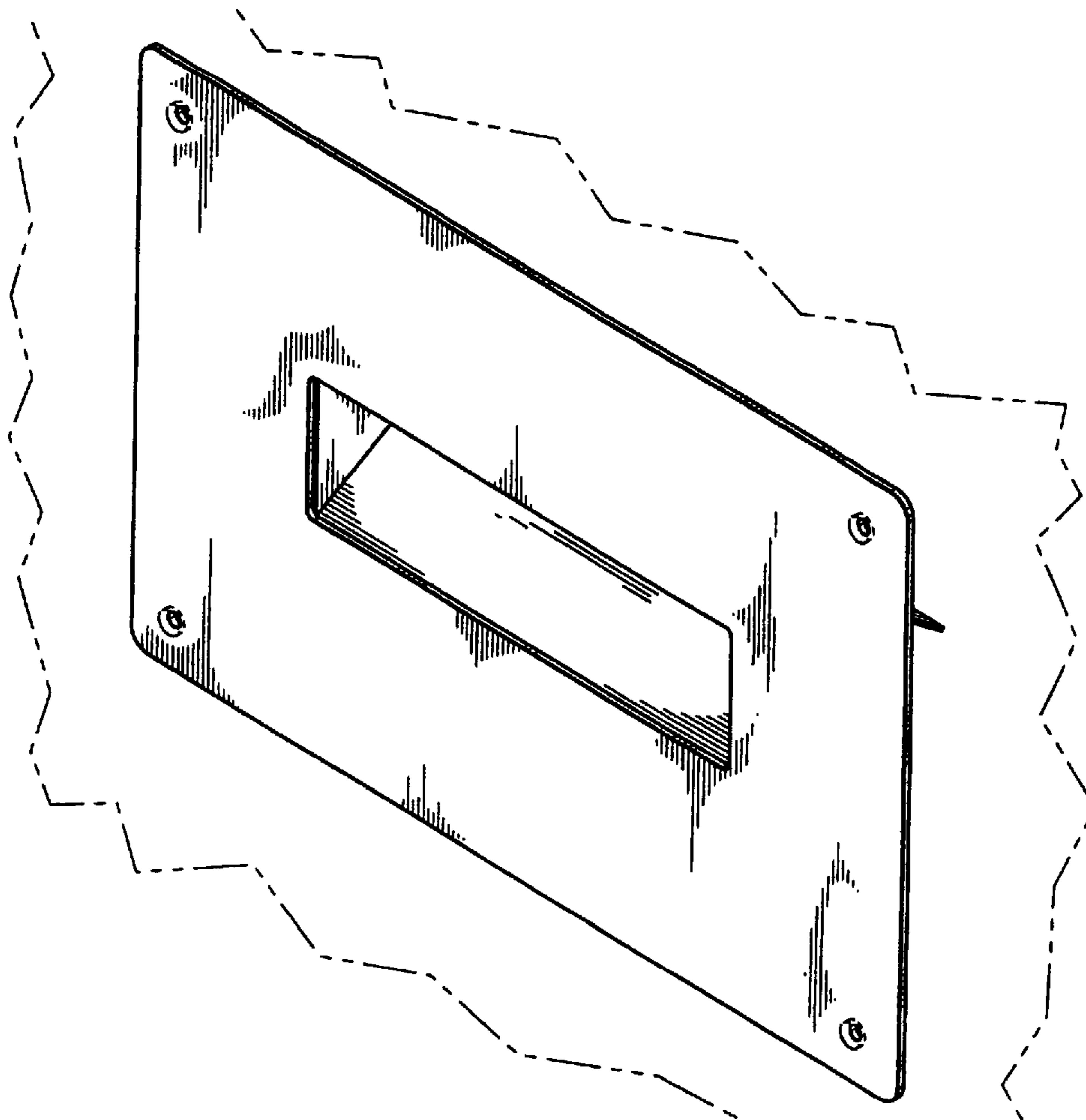
The broken line showing in FIG. 1 is for illustrative purposes only and forms no part of the claimed design.

### [56] References Cited

#### U.S. PATENT DOCUMENTS

D. 327,348	6/1992	Skorheim	.....	D34/11
D. 331,133	11/1992	Edwards	.....	D34/11
2,934,261	4/1960	Eaton	.....	232/43.1
2,990,113	6/1961	Fosbrink et al.	.....	232/43.1
3,713,581	1/1973	Mullens	.....	232/43.1

1 Claim, 5 Drawing Sheets



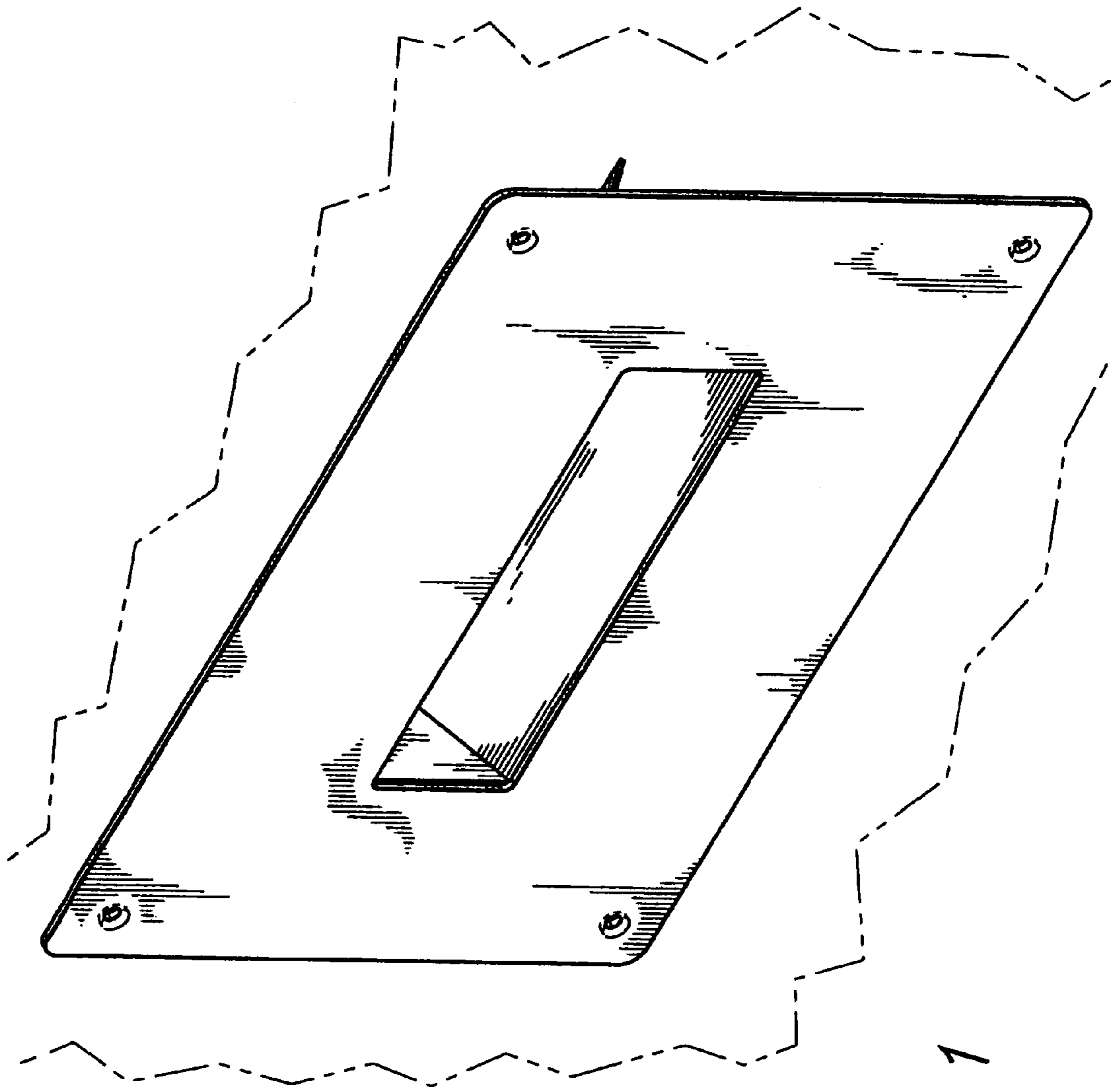


FIG. 1

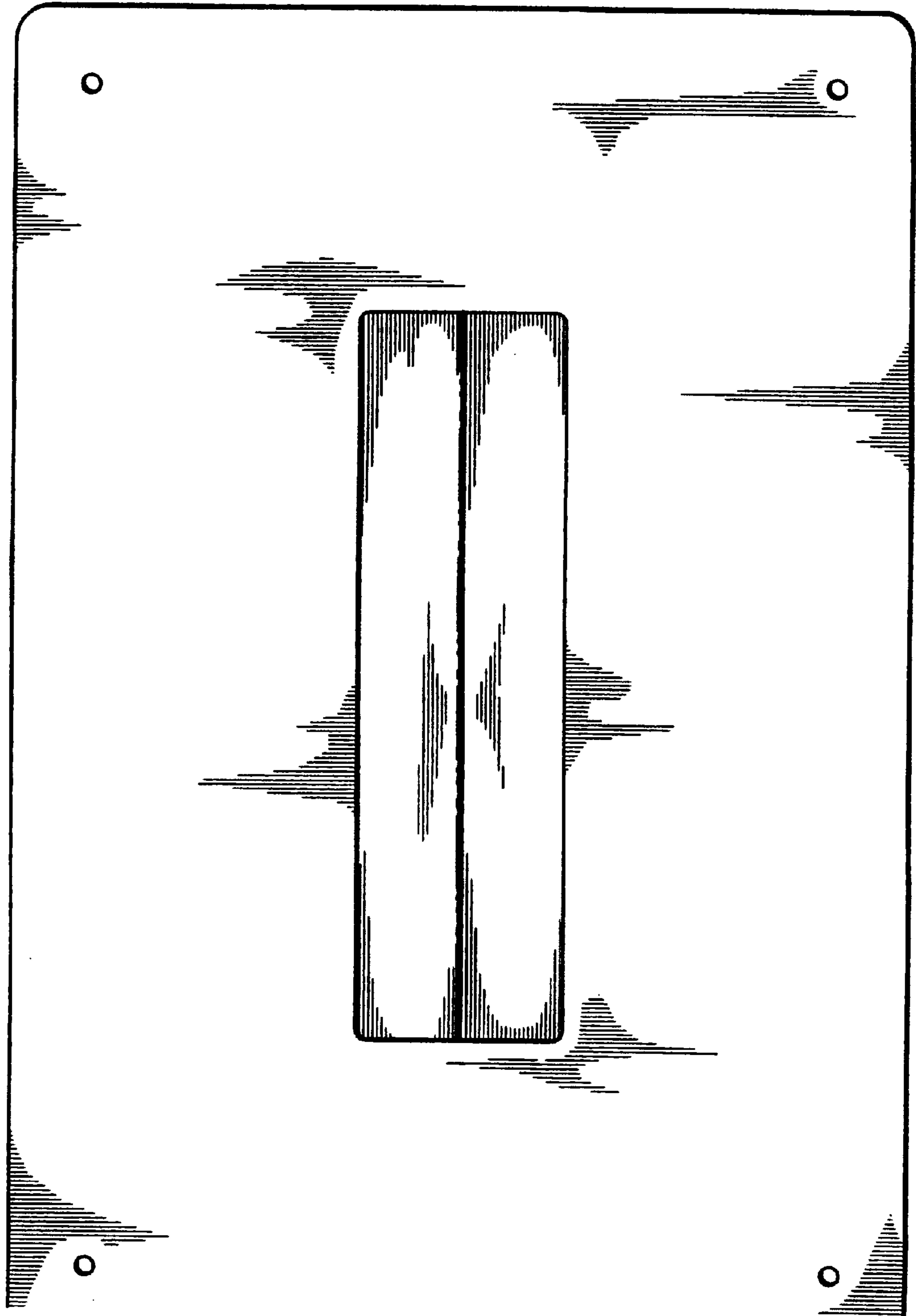


FIG. 2

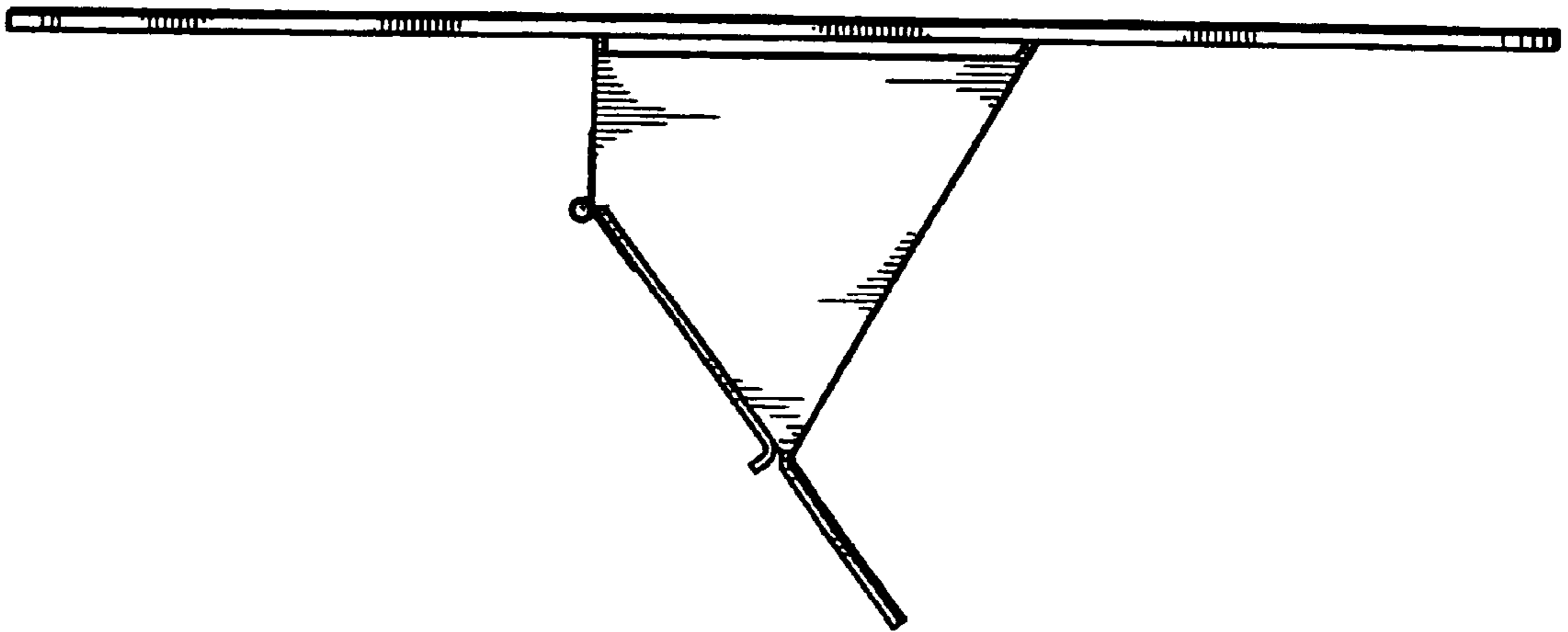


FIG. 3

FIG. 4

