



US00D420180S

# United States Patent [19]

[11] Patent Number: **Des. 420,180**

Mason et al.

[45] Date of Patent: **\*\* Feb. 1, 2000**

[54] **BRUSH TUB**

[75] Inventors: **Marty Mason**, Mendham; **Shirley Miller**, Sparta; **Sheldon Schmidt**, Paramus, all of N.J.

[73] Assignee: **Loew Cornell**, Teaneck, N.J.

[\*\*] Term: **14 Years**

[21] Appl. No.: **29/095,872**

[22] Filed: **Oct. 30, 1998**

[51] **LOC (7) Cl.** ..... **08-99**

[52] **U.S. Cl.** ..... **D32/35**; D9/424; D9/425

[58] **Field of Search** ..... D9/424, 425, 432; D32/53, 53.1, 35; 206/209, 362; 220/500, 505, 553, 555, 780, 793, 796, 805, 904, DIG. 12

4,809,868 3/1989 Pomroy .  
 4,976,370 12/1990 Cassel .  
 4,981,233 1/1991 Scheurer .  
 5,125,528 6/1992 Heyn et al. .  
 5,147,059 9/1992 Olsen et al. .  
 5,344,007 9/1994 Nakamura et al. .  
 5,348,549 9/1994 Brown et al. .  
 5,353,925 10/1994 Lennen et al. .  
 5,370,263 12/1994 Brown ..... 220/555 X  
 5,377,860 1/1995 Littlejohn et al. .  
 5,553,701 9/1996 Jarecki et al. .  
 5,555,974 9/1996 Donald et al. .  
 5,624,051 4/1997 Ahern, Jr. et al. .  
 5,738,241 4/1998 McEntee ..... 220/505 X

*Primary Examiner*—Alan P. Douglas  
*Assistant Examiner*—Lavone D. Tabor  
*Attorney, Agent, or Firm*—Weingram & Associates, P.C.

### [57] CLAIM

We claim the ornamental design for a brush tub, as shown and described.

### DESCRIPTION

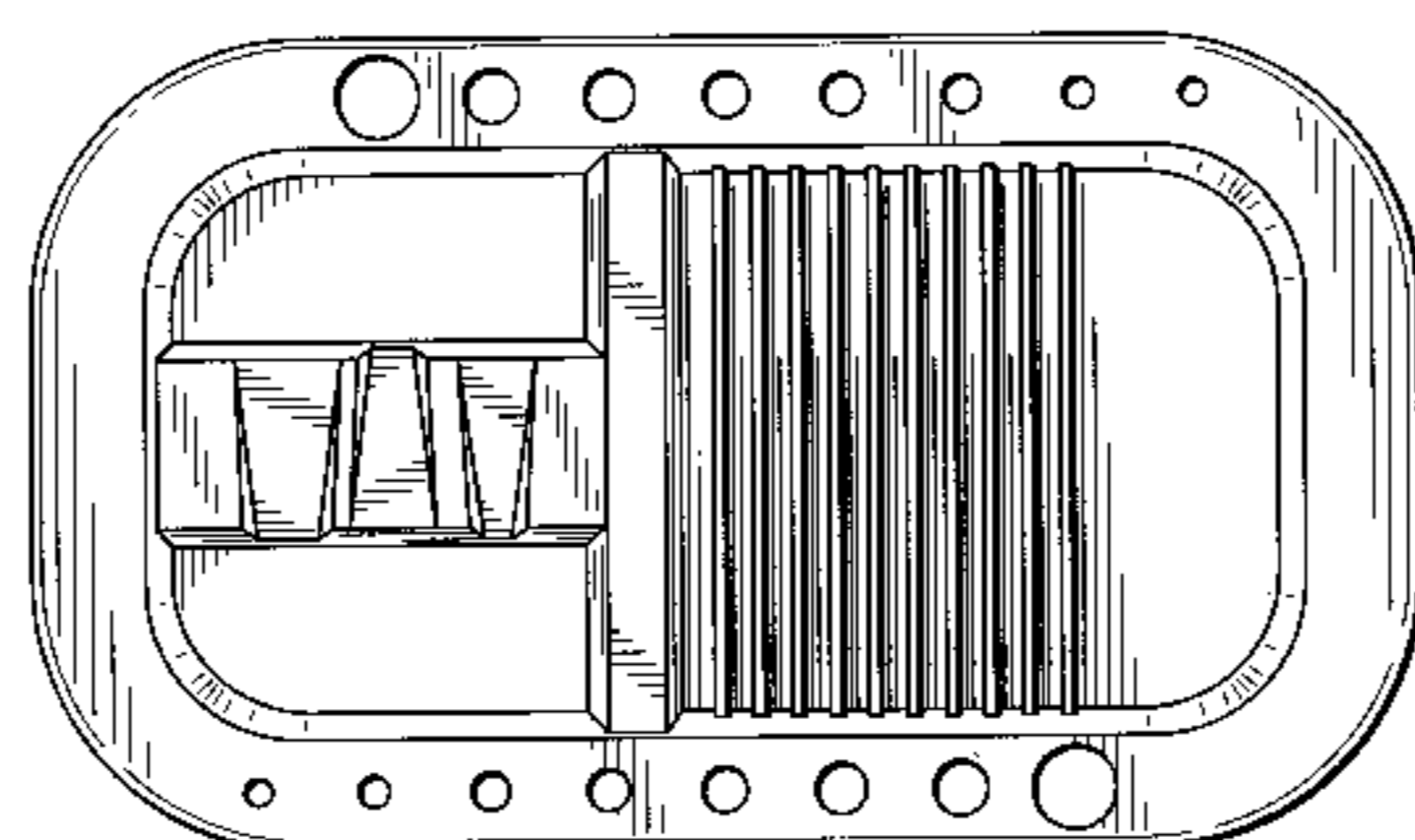
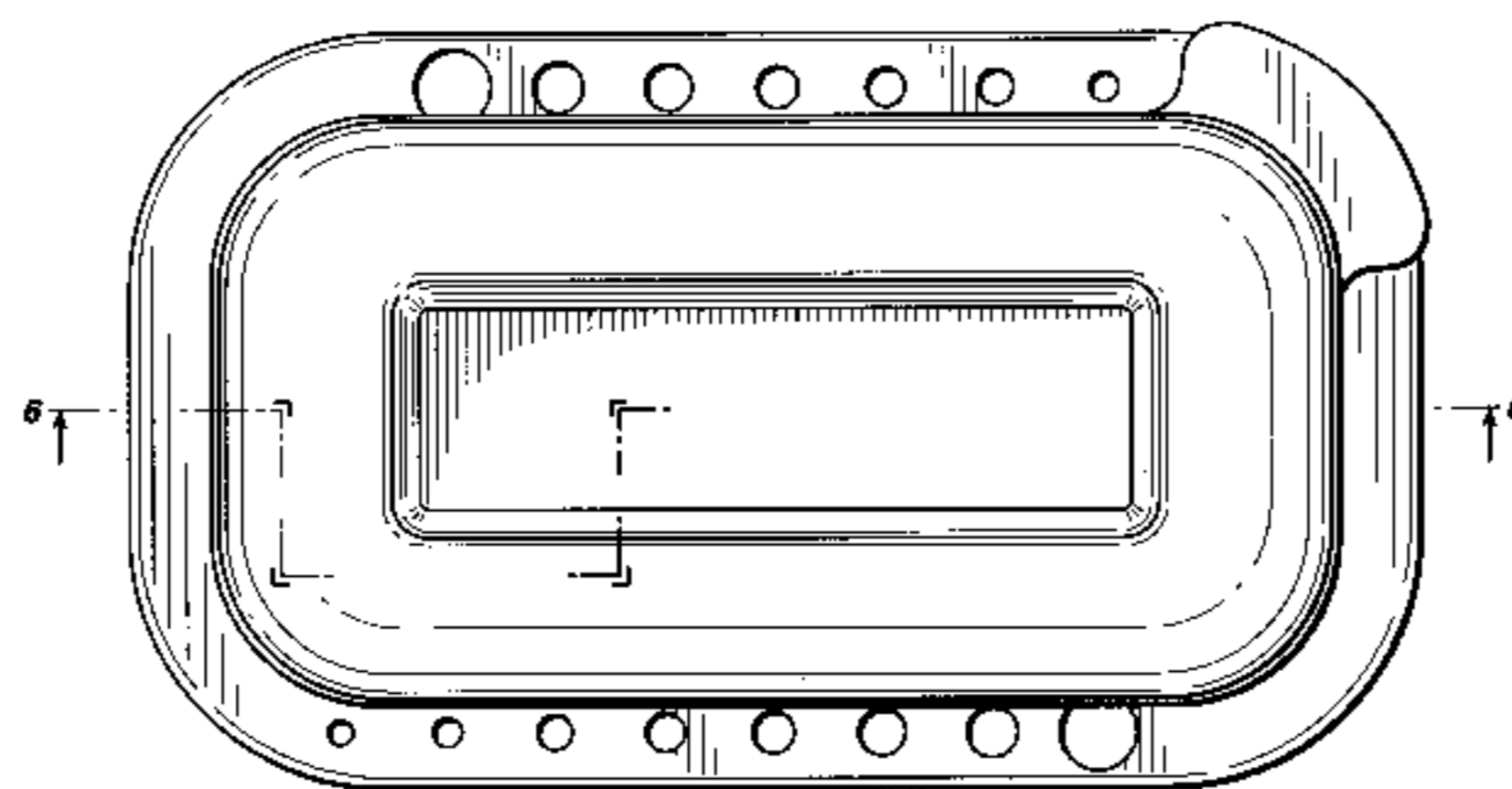
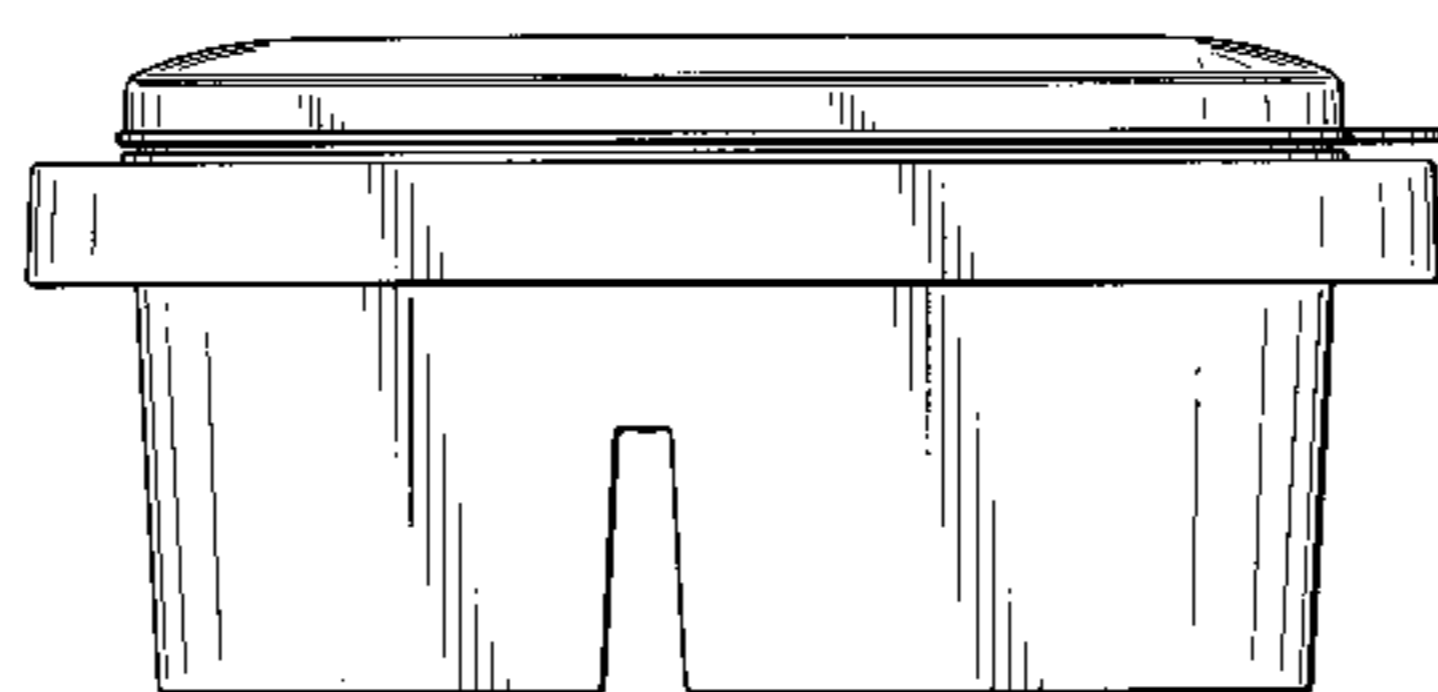
FIG. 1 is a side elevation view of a new design for a brush tub according to the present invention;  
 FIG. 2 is a top plan view thereof;  
 FIG. 3 is a bottom plan view thereof;  
 FIG. 4 is an end elevational view thereof;  
 FIG. 5 is an end elevational view thereof, opposite to that shown in FIG. 4;  
 FIG. 6 is a view of an interior of the design of the brush tub taken along line 6—6 in FIG. 2; and,  
 FIG. 7 is a top plan view of the interior shown in FIG. 6.

**1 Claim, 7 Drawing Sheets**

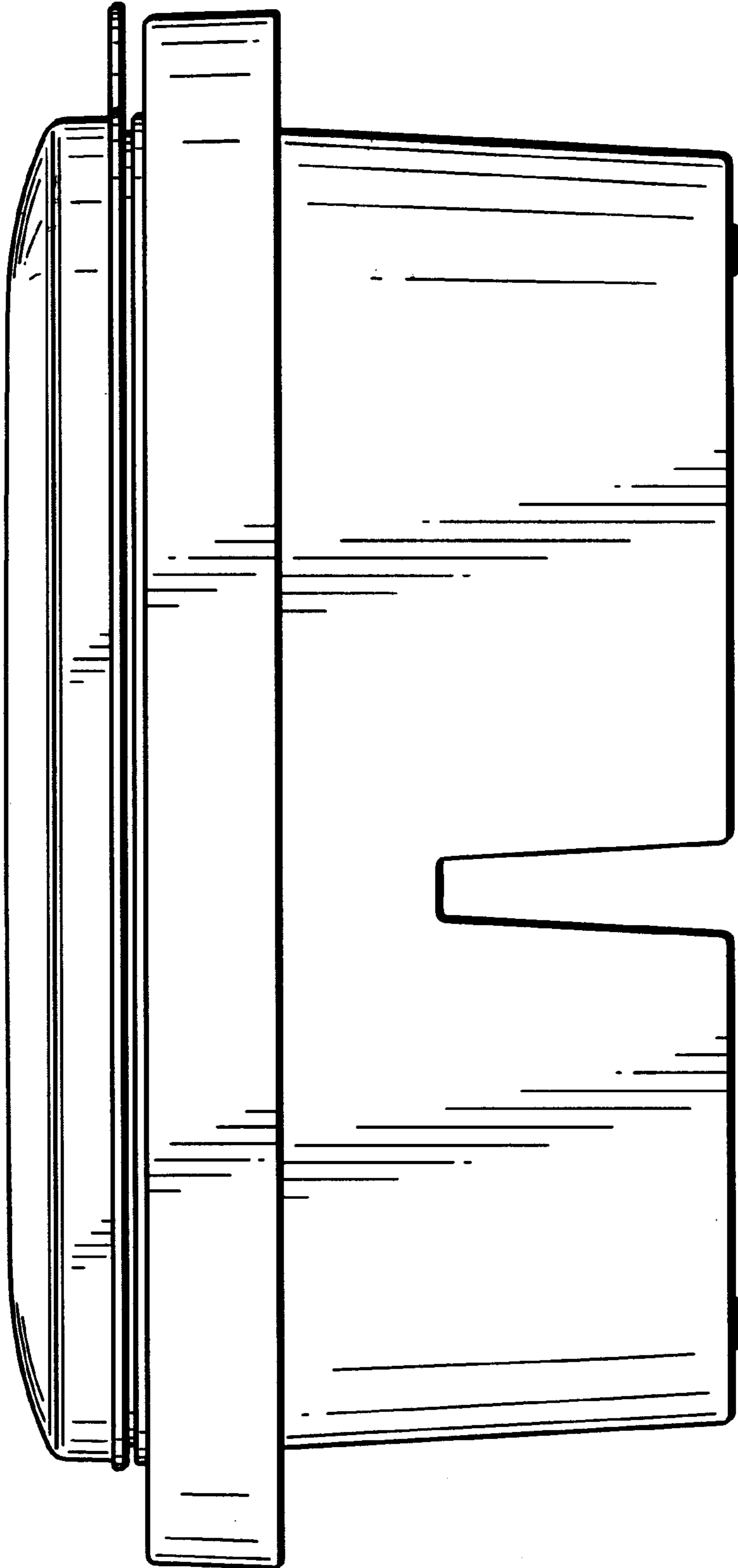
### [56] References Cited

#### U.S. PATENT DOCUMENTS

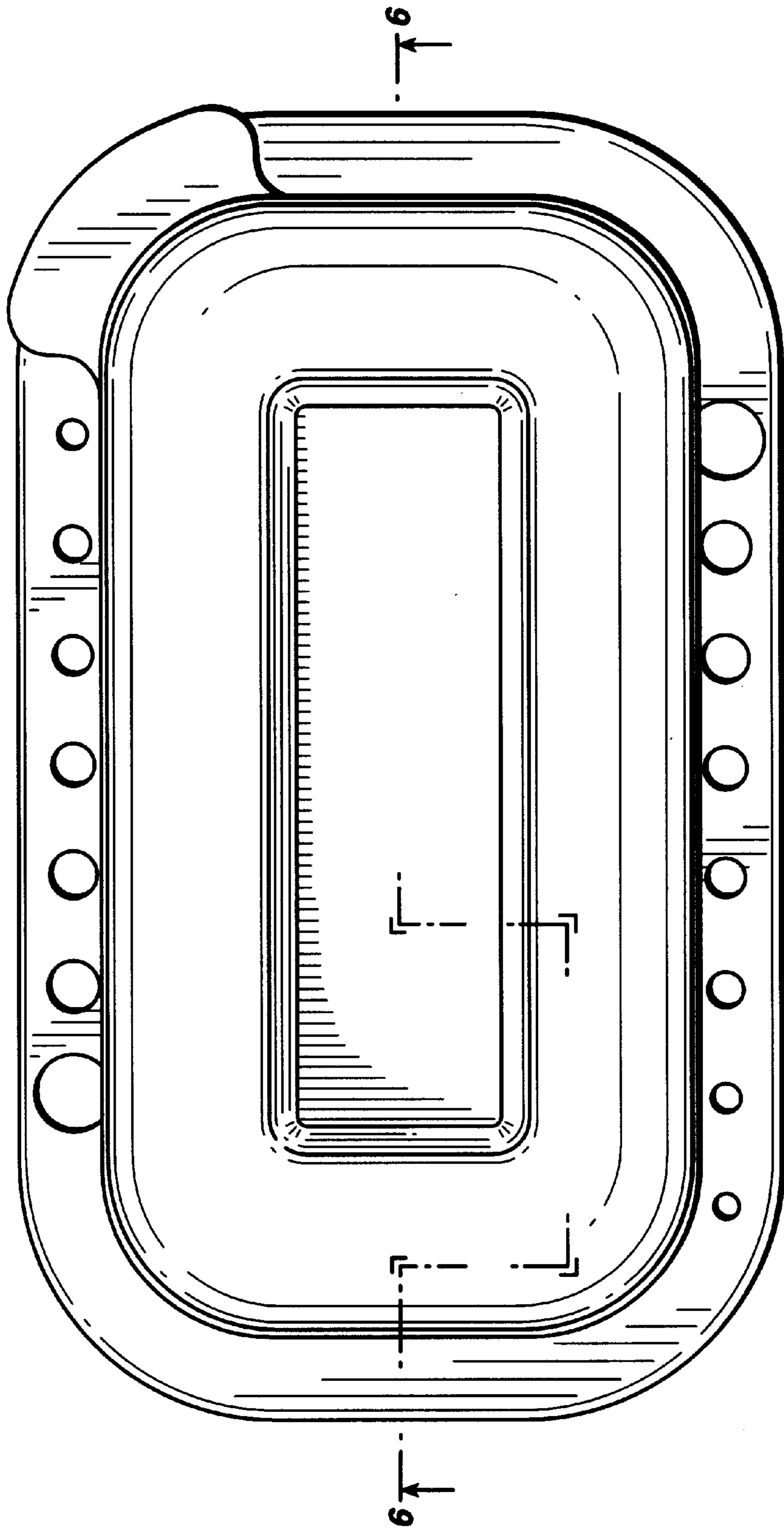
D. 301,422 6/1989 Schmidt .  
 D. 304,512 11/1989 Byers et al. .  
 D. 408,602 4/1999 Carlson ..... D32/53  
 3,543,287 11/1970 Henkel .  
 3,732,972 5/1973 Israel .  
 3,780,908 12/1973 Fitzpatrick et al. .  
 3,841,466 10/1974 Hoffman et al. .  
 3,885,666 5/1975 Maxwell .  
 4,000,816 1/1977 Spruyt .  
 4,061,224 12/1977 Fuhri .  
 4,166,548 9/1979 Crisci .  
 4,561,562 12/1985 Trombly .  
 4,615,456 10/1986 Cousar .



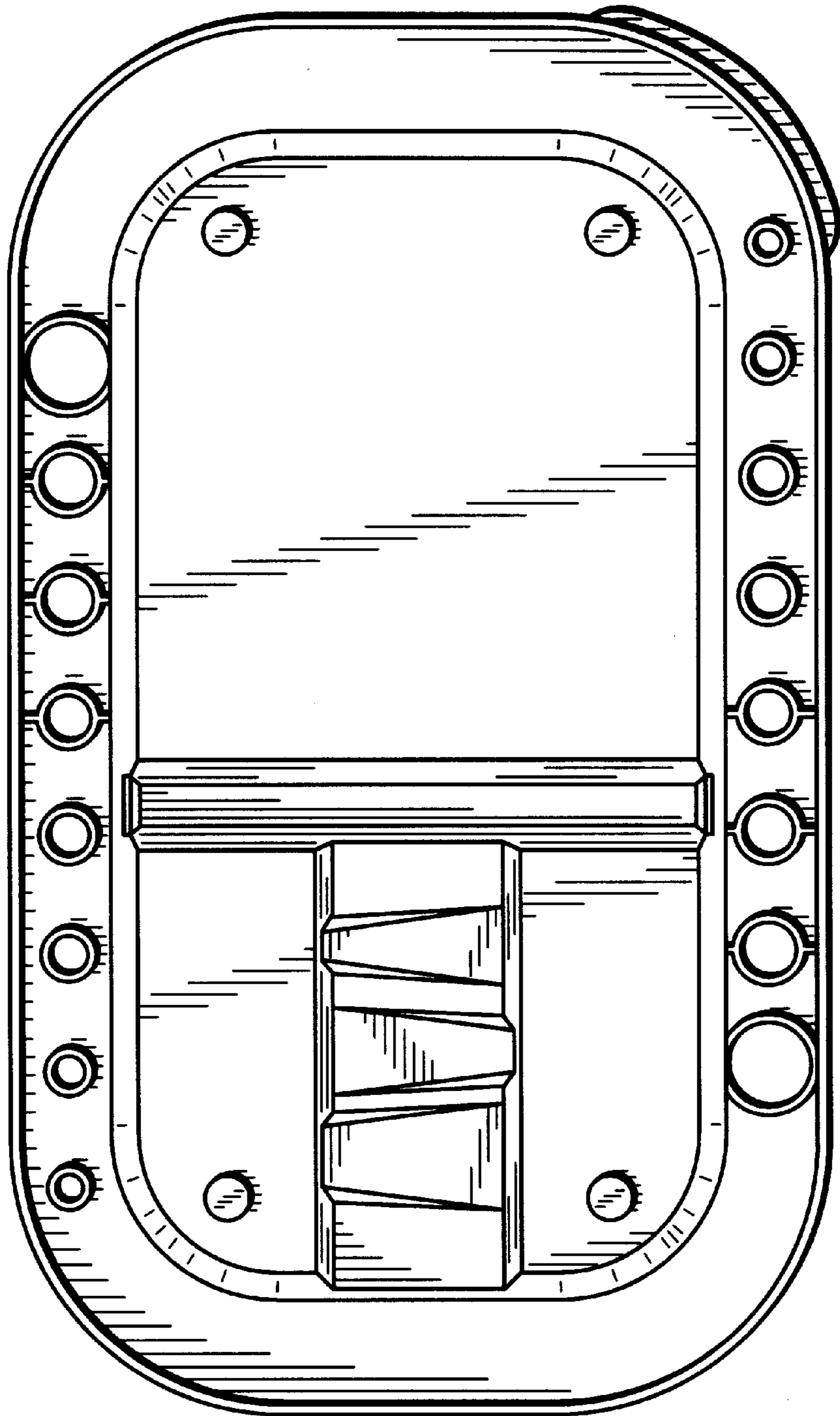
**FIG. 1**



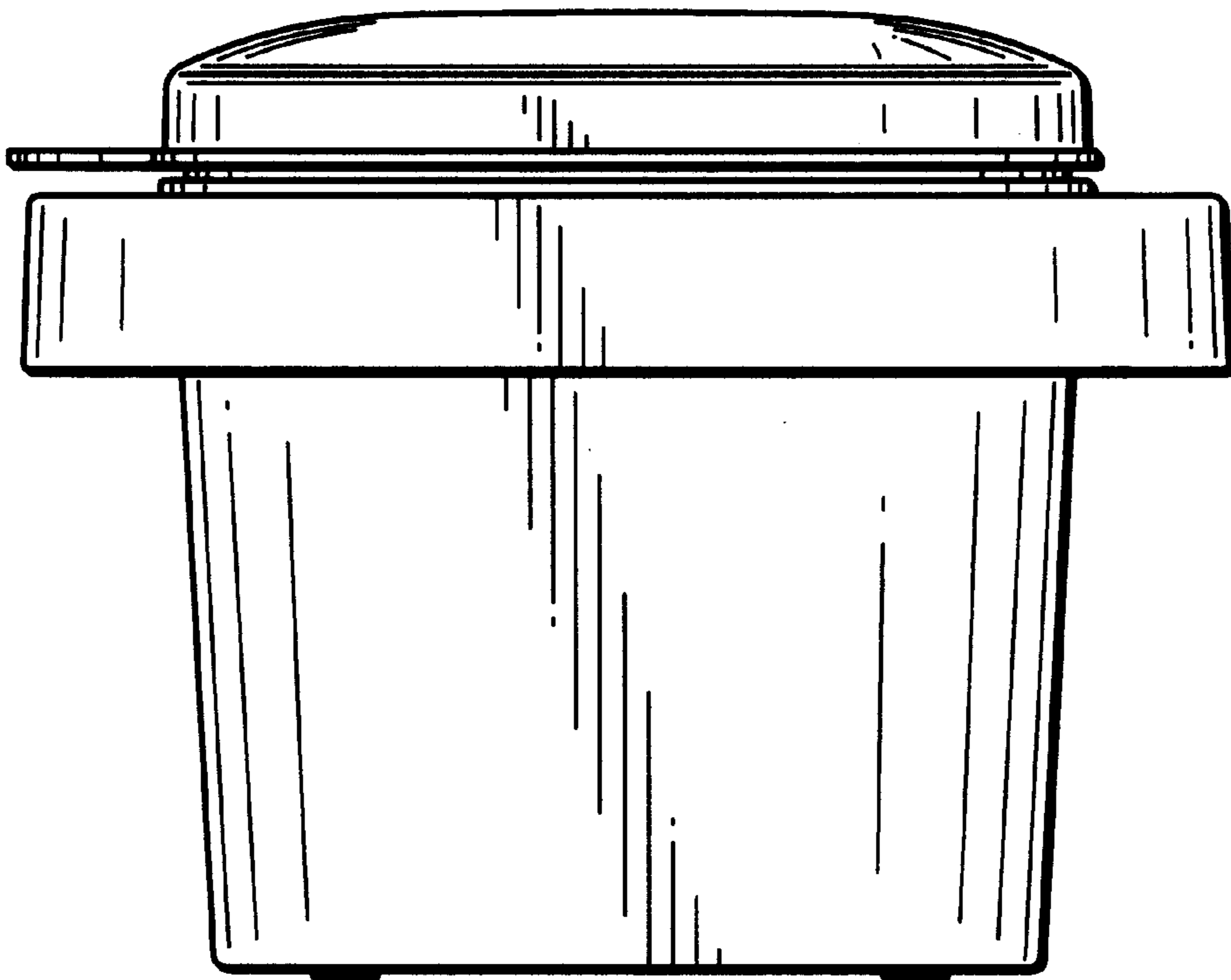
**FIG. 2**



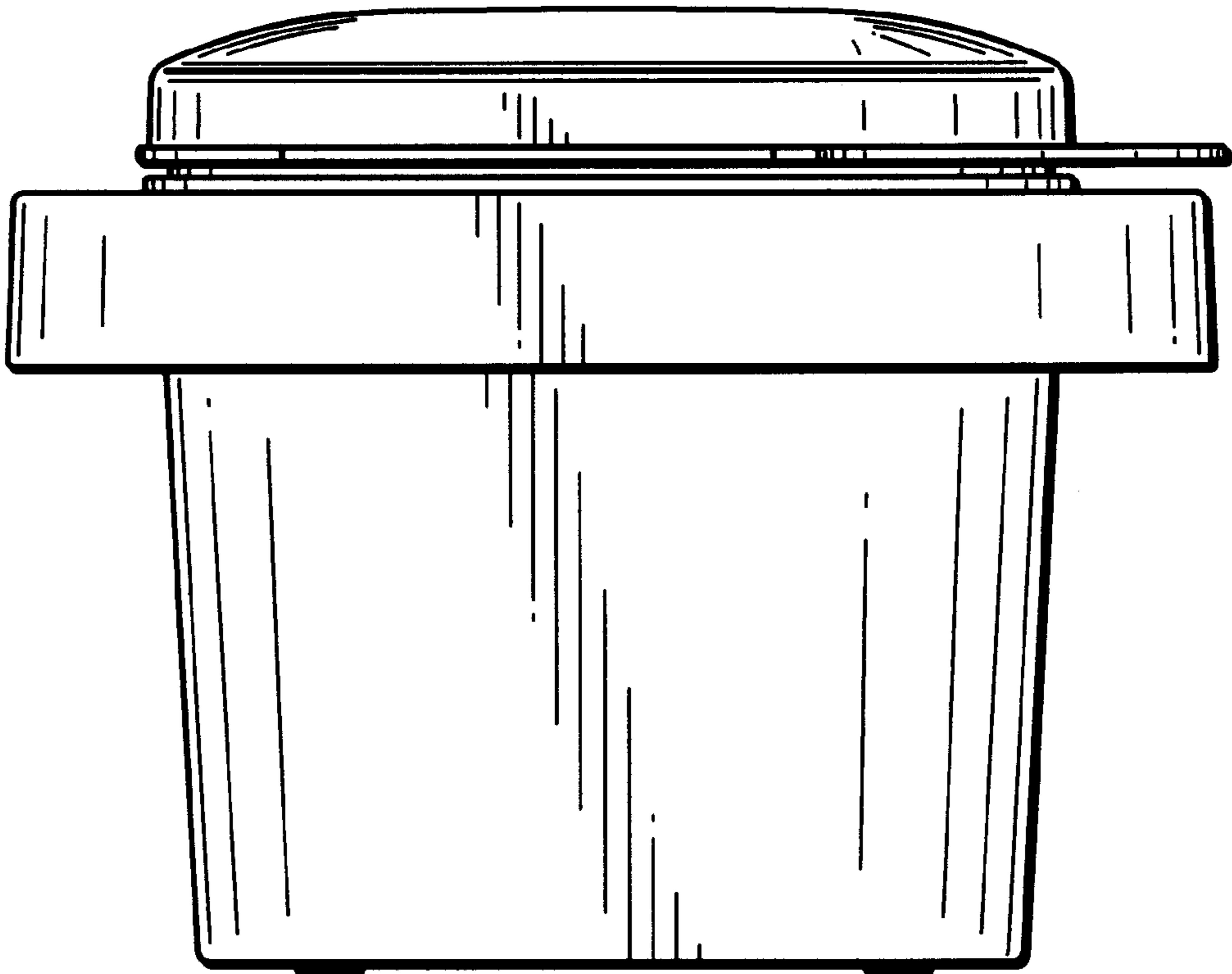
**FIG. 3**



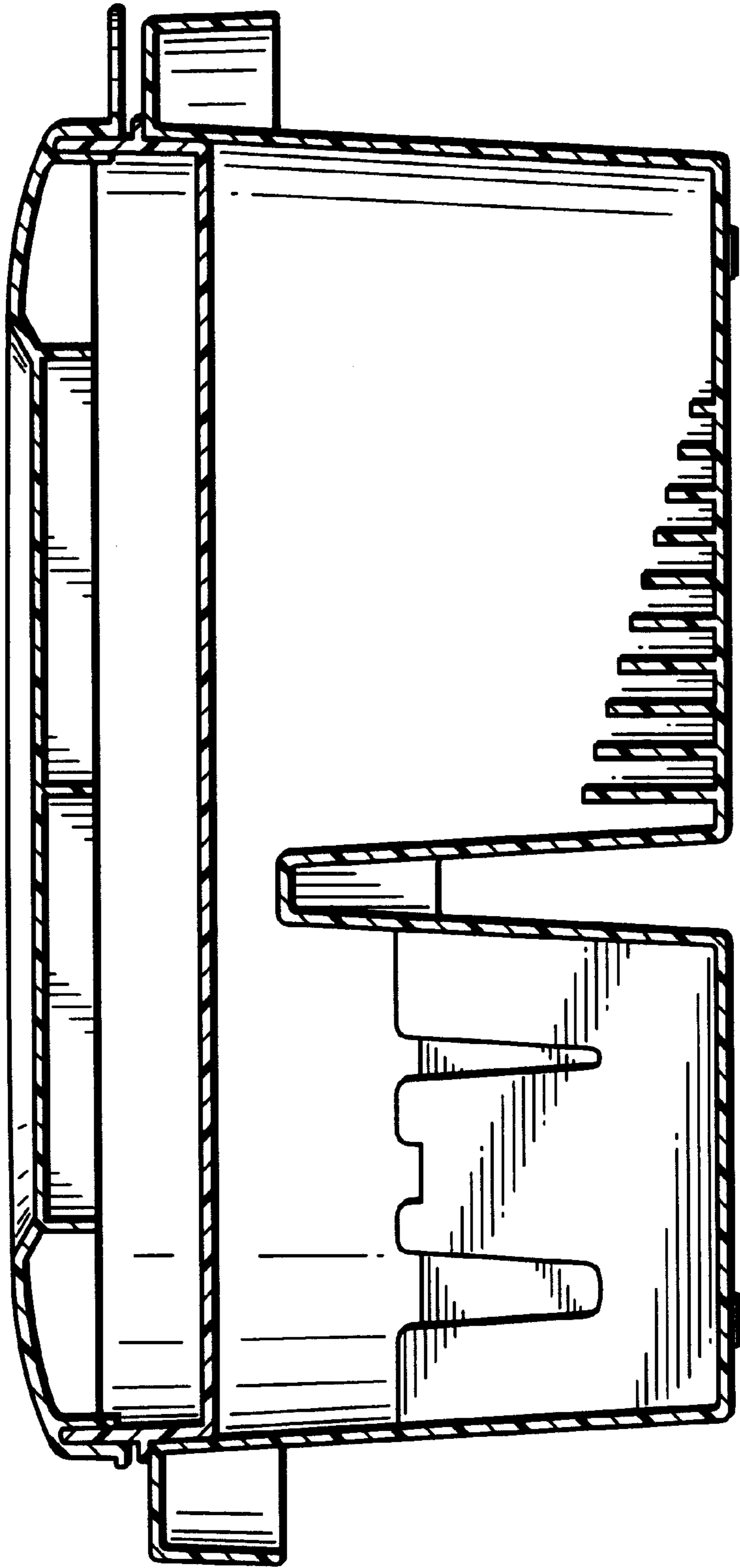
**FIG. 4**



***FIG. 5***



**FIG. 6**





**FIG. 7**

