



US00D420177S

# United States Patent [19] Jones

[11] **Patent Number: Des. 420,177**  
[45] **Date of Patent: \*\* Feb. 1, 2000**

[54] **BIRD FEEDER STAND**

5,022,349 6/1991 Bryant et al. .... 119/57.8

[76] Inventor: **Thomas E. Jones**, 4545 W. State Rd.  
218, Berne, Ind. 46711

### OTHER PUBLICATIONS

Duncraft—Specialties for Birdfeeding, Bracket and Accessories, Summer 1996, p. 35.

[\*\*] Term: **14 Years**

*Primary Examiner*—Louis S. Zarfaz  
*Assistant Examiner*—Catherine R. Oliver  
*Attorney, Agent, or Firm*—Ice Miller Donadio & Ryan;  
Thomas A. Walsh; Doreen J. Gridley

[21] Appl. No.: **29/099,234**

[22] Filed: **Jan. 18, 1999**

[51] **LOC (7) Cl.** ..... **30-03**

[52] **U.S. Cl.** ..... **D30/133**

[58] **Field of Search** ..... D30/133, 127,  
D30/110; 119/51.03, 60, 57.8, 57.9; D8/1;  
D25/100; 248/87, 121, 175; 47/44, 47;  
239/276

### [57] CLAIM

The ornamental design for a bird feeder stand, as shown and described.

### DESCRIPTION

FIG. 1 is a front elevational view of a bird feeder stand showing my new design, with the rear view being a mirror image thereof;

FIG. 2 is an enlarged top plan view thereof;

FIG. 3 is a left side elevational view thereof, with the right side being a mirror image thereof;

FIG. 4 is left side perspective view thereof;

FIG. 5 is an enlarged bottom plan view thereof; and,

FIG. 6 is a left side perspective view thereof, illustrating its use with a bird feeder not considered part of the bird feeder stand.

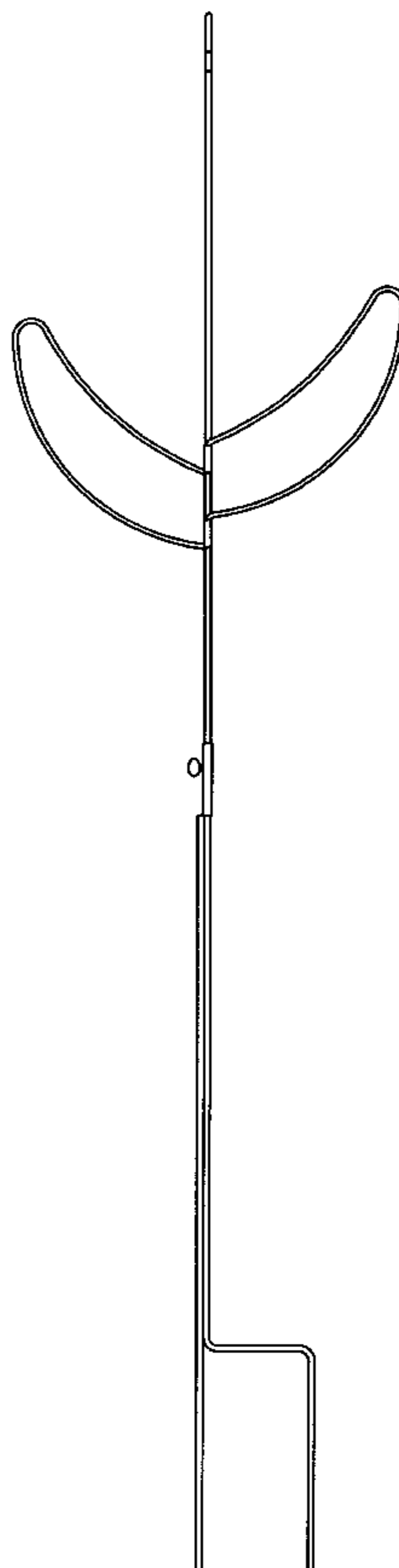
The bird feeder in FIG. 6 is shown in broken lines for illustrative purposes only and forms no part of the claimed design.

### [56] References Cited

#### U.S. PATENT DOCUMENTS

D. 185,682	7/1959	Sheffler .	
D. 200,317	2/1965	Entyre .	
D. 306,681	3/1990	Toca, III	..... D8/1
D. 367,550	2/1996	Drummond	..... D30/119
D. 388,754	1/1998	Largent	..... D11/157
D. 391,192	2/1998	Speedling et al.	..... D11/131
D. 392,208	3/1998	Chong	..... D11/127
D. 402,431	12/1998	Peterson	..... D30/133
D. 409,326	4/1999	Cox	..... D8/1
D. 409,338	5/1999	Gallardo	..... D30/119
2,972,334	2/1961	Braden	..... 119/51
3,721,414	3/1973	Yoder	..... 248/175
4,441,457	4/1984	Sanford	..... 119/51.03

**1 Claim, 6 Drawing Sheets**



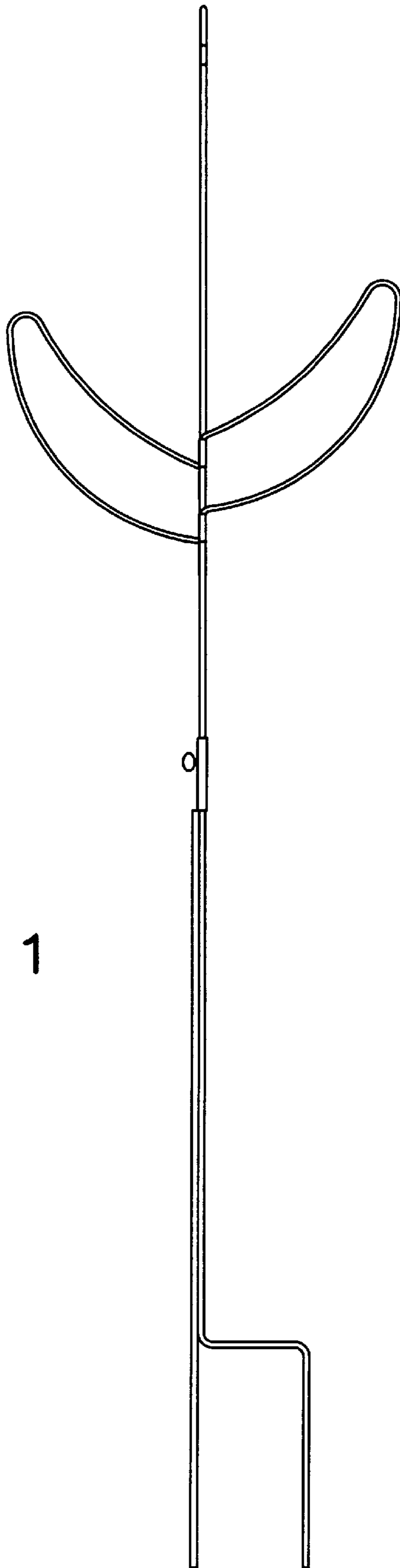


FIG. 1

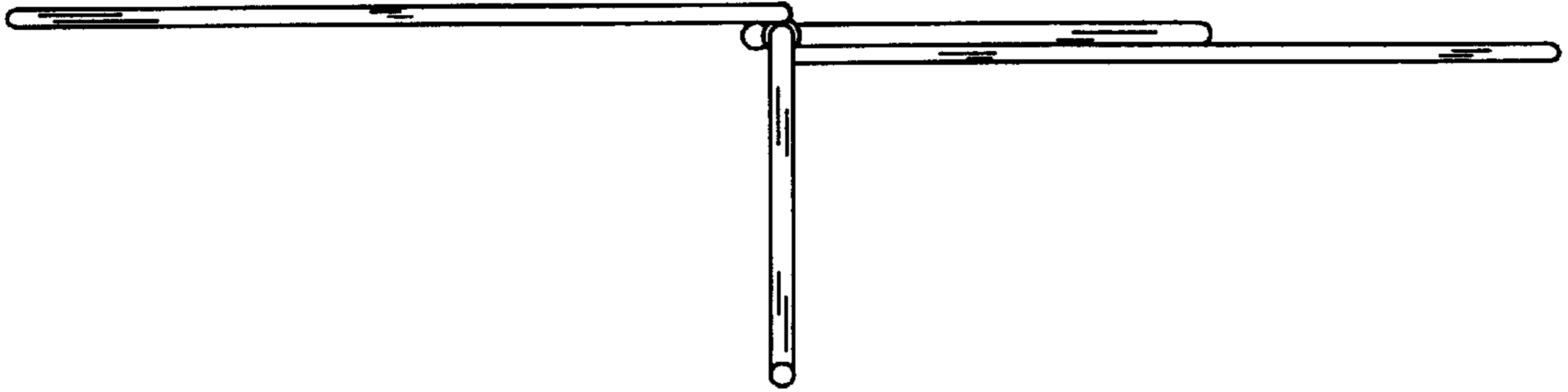


FIG. 2

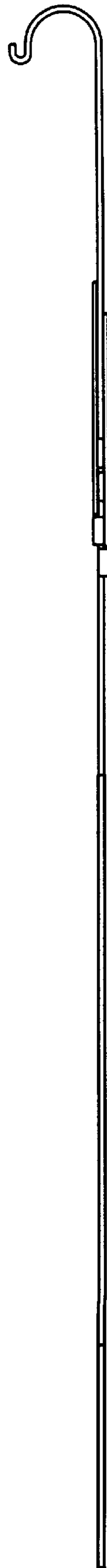


FIG. 3

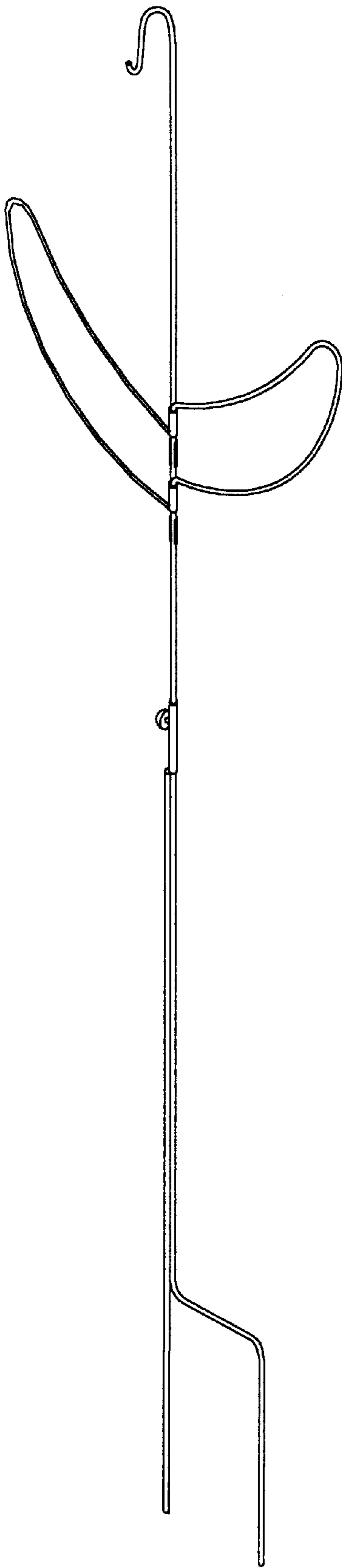


FIG. 4

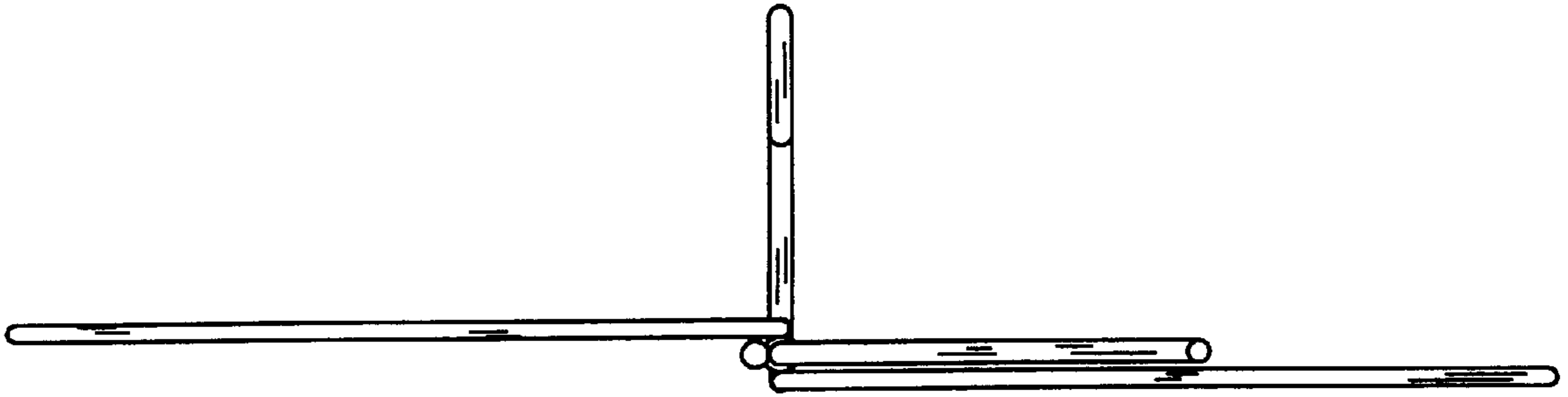


FIG.5

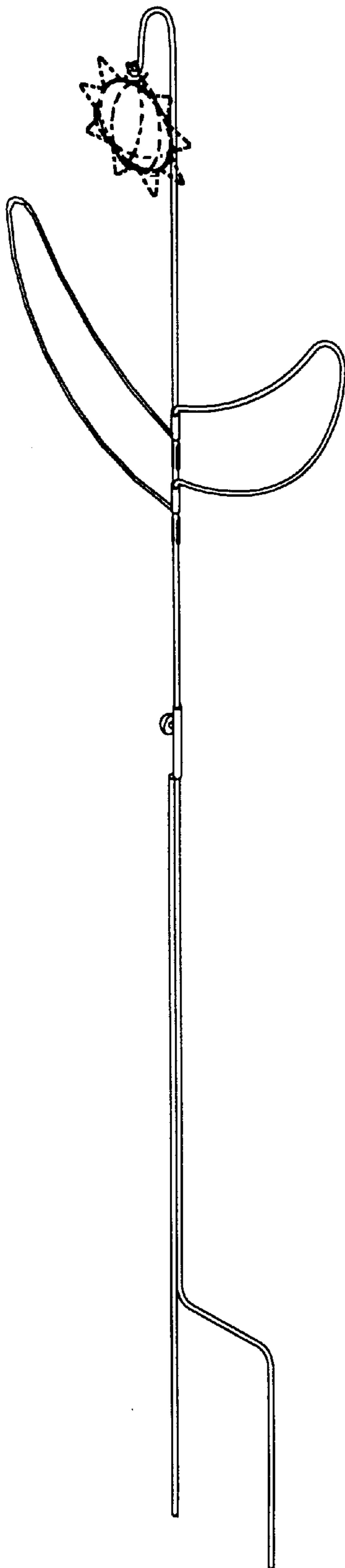


FIG. 6