



US00D420176S

**United States Patent** [19]  
**Heinzeroth**

[11] **Patent Number: Des. 420,176**

[45] **Date of Patent: \*\* Feb. 1, 2000**

[54] **BIRD FEEDER**

5,235,935 8/1993 Edwards ..... 119/57.8

[76] Inventor: **Jerry E. Heinzeroth**, 3012 Carefree Dr., Rockford, Ill. 61114

**OTHER PUBLICATIONS**

Duncraft, Thistle Feeders, p. 24, 1991.

[\*\*] Term: **14 Years**

*Primary Examiner*—Louis S. Zarfes

*Assistant Examiner*—Catherine R. Oliver

[21] Appl. No.: **29/101,291**

[22] Filed: **Feb. 26, 1999**

[57] **CLAIM**

The ornamental design for a bird feeder, as shown.

[51] **LOC (7) Cl.** ..... **30-03**

[52] **U.S. Cl.** ..... **D30/127**

[58] **Field of Search** ..... D30/124–128,  
D30/110, 111; 119/51.01, 52.2, 52.3, 57.8,  
57.9, 428

**DESCRIPTION**

FIG. 1 is an isometric view of a bird feeder showing my new design;

FIG. 2 is a front elevational view;

FIG. 3 is a left side elevational view, the right side being identical thereto;

FIG. 4 is rear elevational view;

FIG. 5 is a top plan view; and,

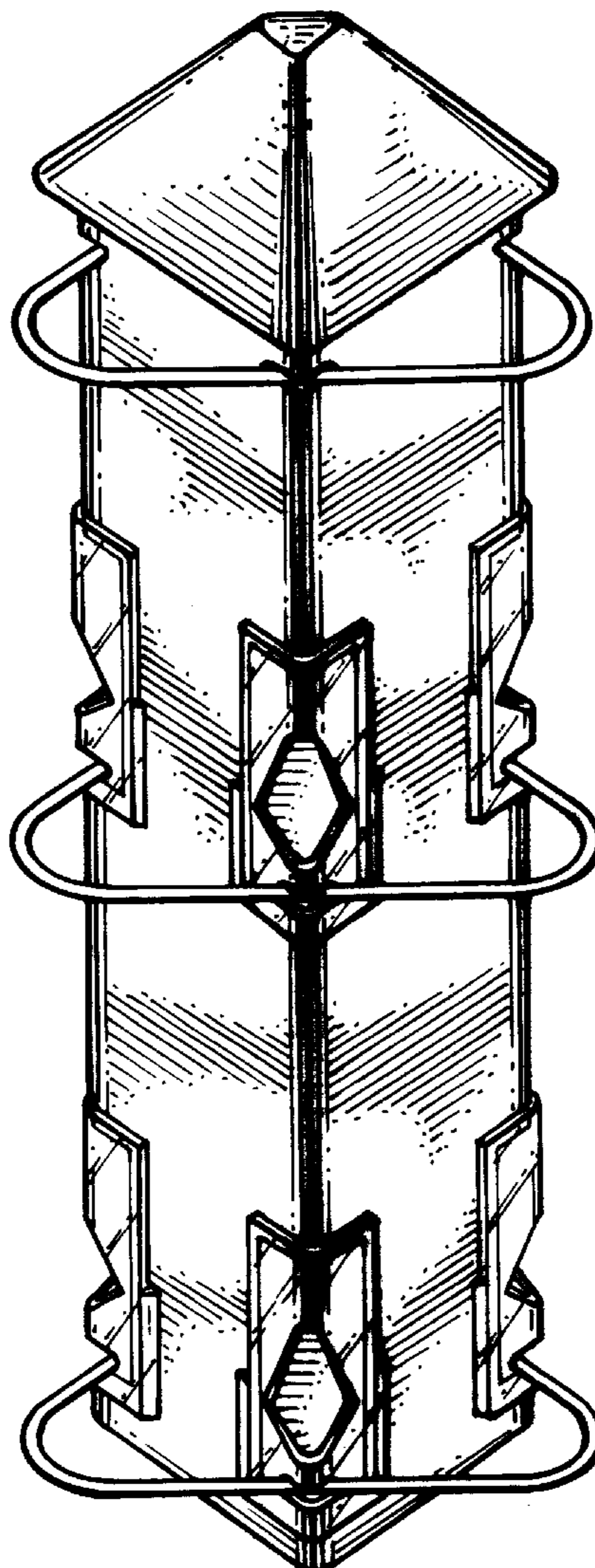
FIG. 6 is a bottom plan view.

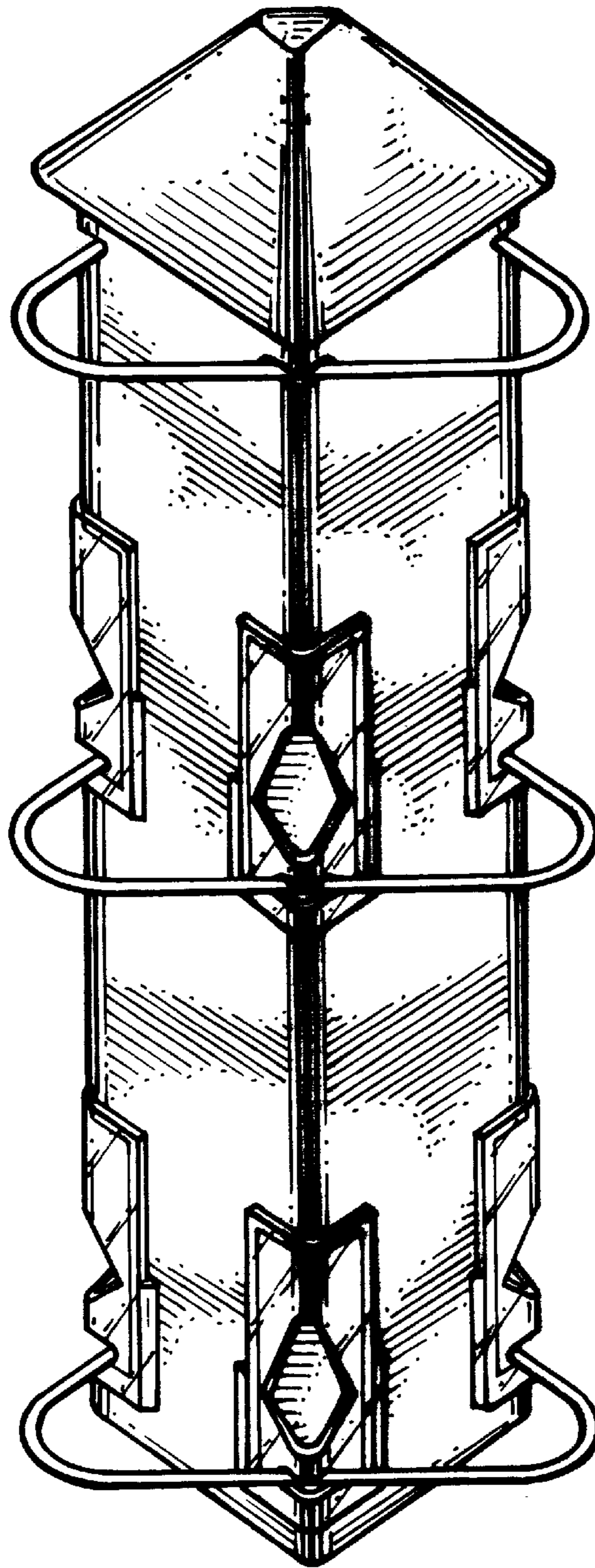
[56] **References Cited**

**U.S. PATENT DOCUMENTS**

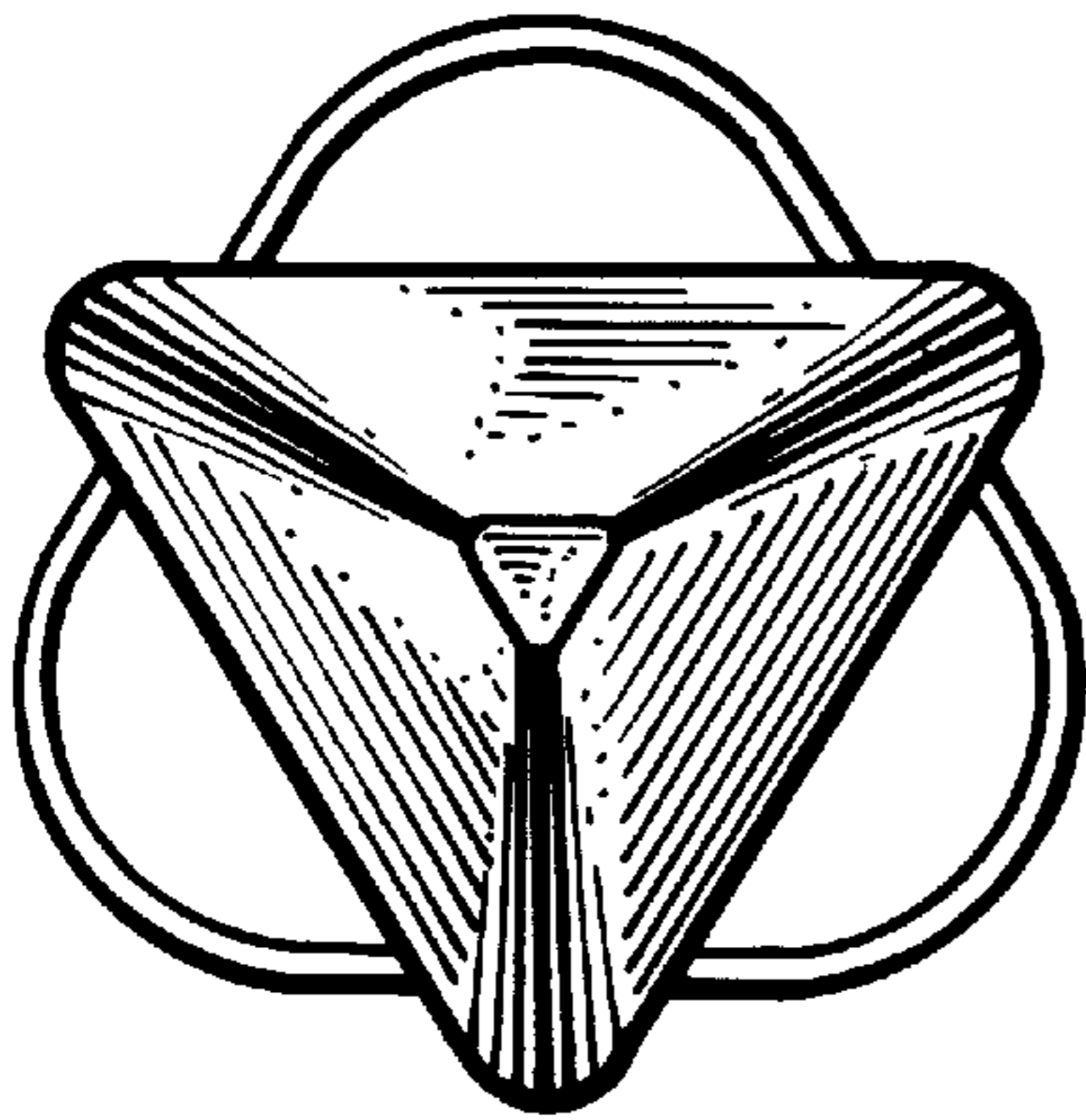
|            |         |                    |         |
|------------|---------|--------------------|---------|
| D. 278,559 | 4/1985  | Latham et al. .... | D30/127 |
| D. 349,785 | 8/1994  | Fasino .....       | D30/127 |
| D. 359,592 | 6/1995  | Fenton et al. .... | D30/124 |
| D. 385,067 | 10/1997 | Whittles .....     | D30/124 |

**1 Claim, 2 Drawing Sheets**

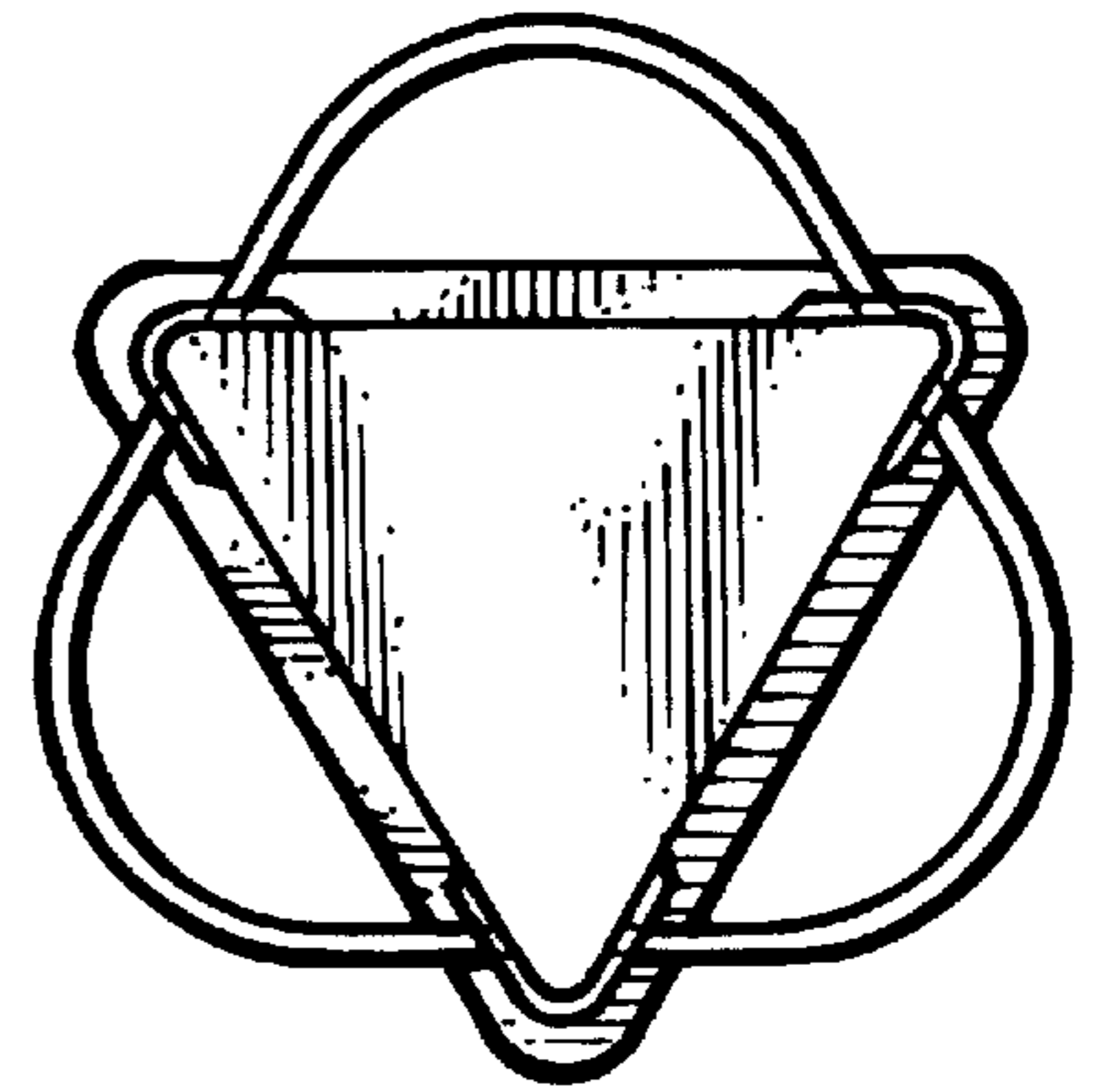




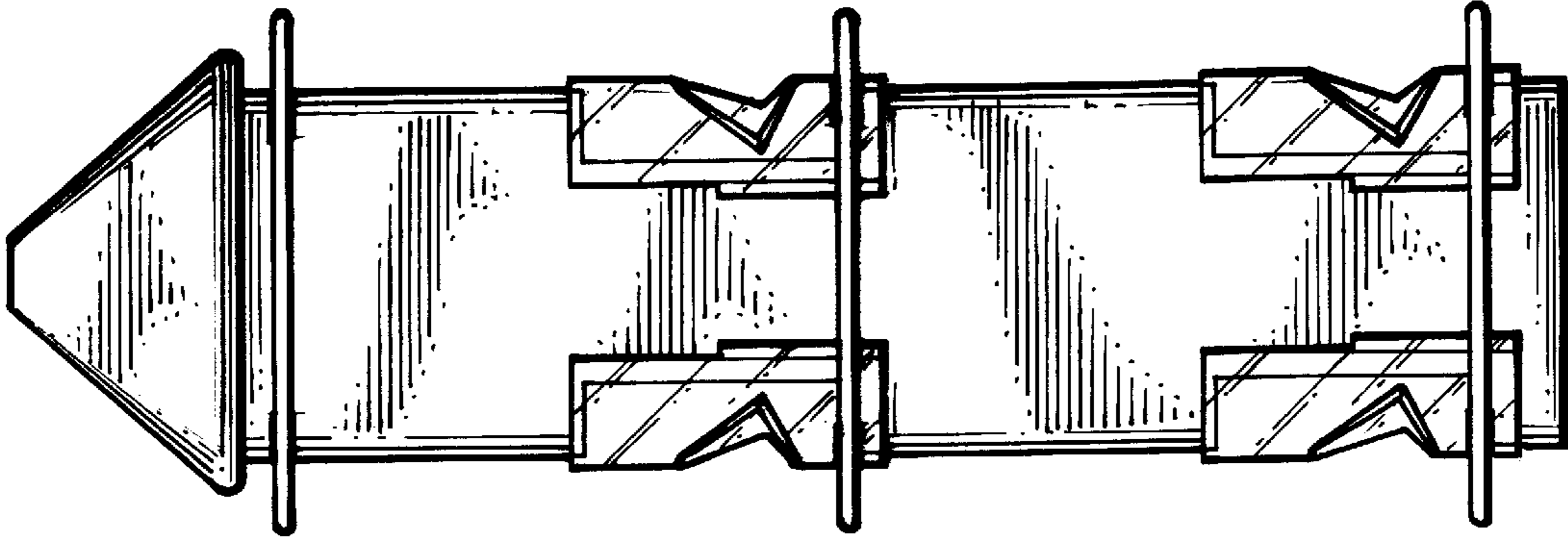
*Fig. 1.*



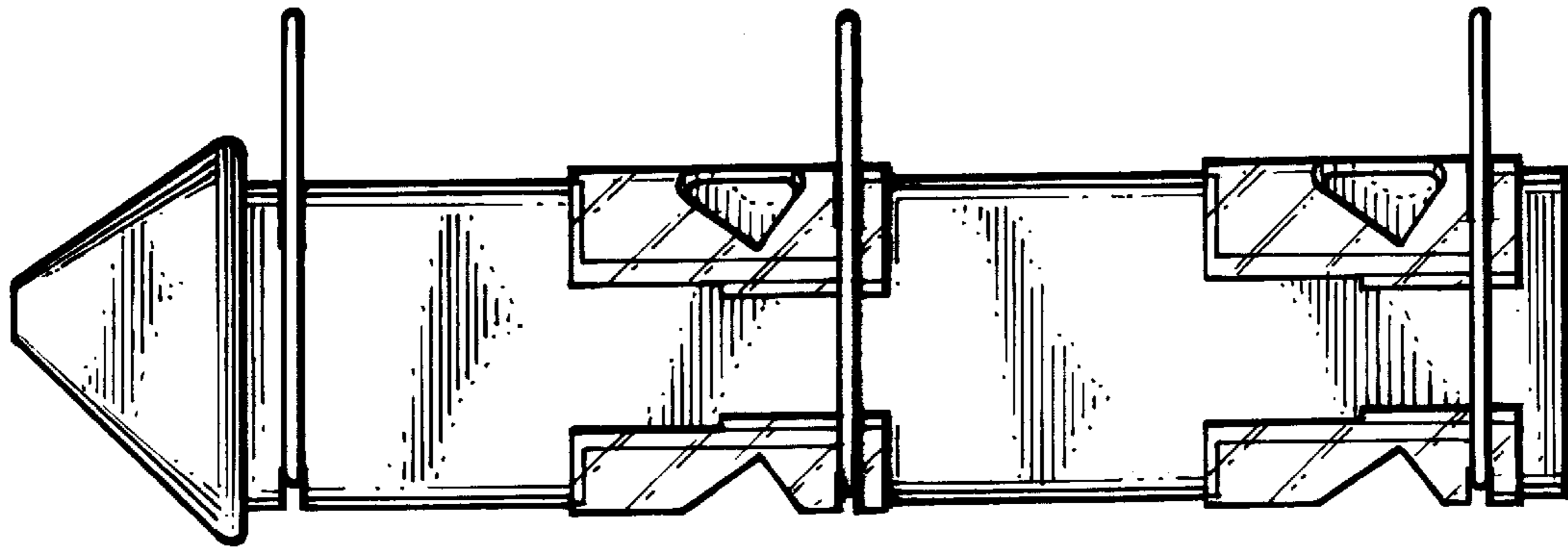
*Fig. 5.*



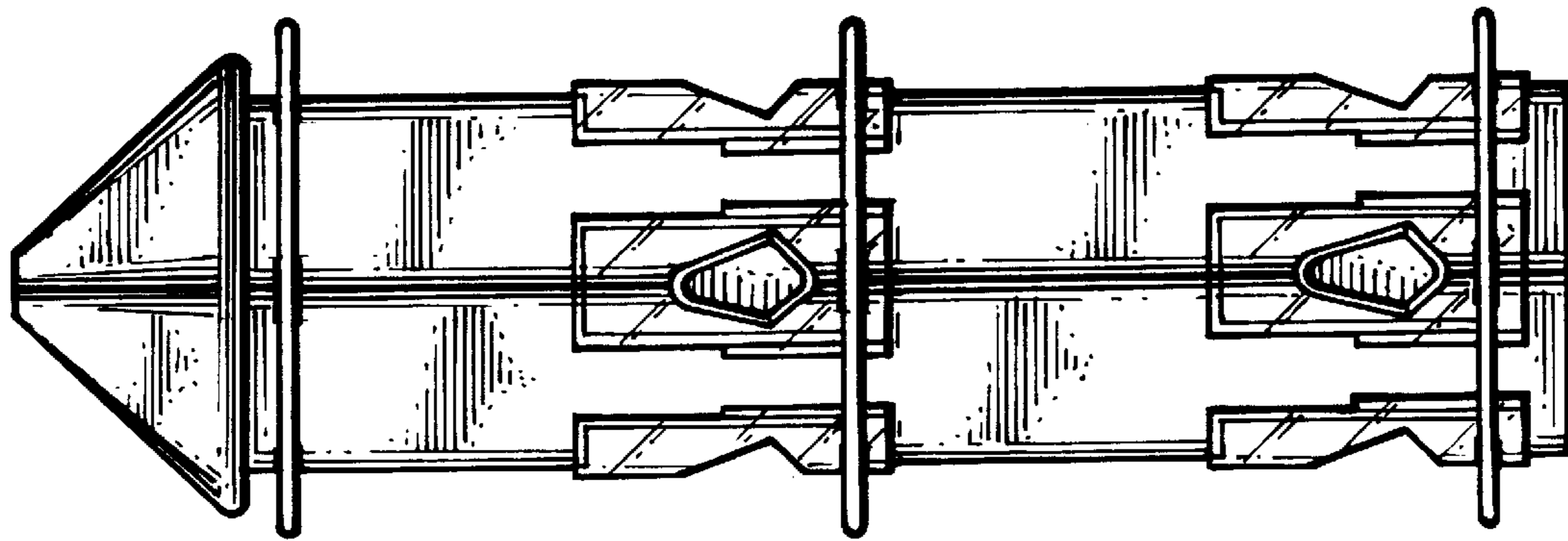
*Fig. 6.*



*Fig. 4.*



*Fig. 3.*



*Fig. 2.*