



US00D420175S

United States Patent [19]
Garrels, Jr.

[11] **Patent Number: Des. 420,175**
[45] **Date of Patent: ** Feb. 1, 2000**

[54] **DOG RAMP**

4,294,571 10/1981 Tordella 414/537
4,368,553 1/1983 Perry 14/69.5

[76] Inventor: **William H. Garrels, Jr.**, 25131 Via
Bajo Cerro, Laguna Niguel, Calif.
92677

Primary Examiner—Louis S. Zarfes
Assistant Examiner—Catherine R. Oliver

[**] Term: **14 Years**

[57] **CLAIM**

The ornamental design for a “dog ramp” as shown and described.

[21] Appl. No.: **29/099,301**

[22] Filed: **Jan. 19, 1999**

DESCRIPTION

[51] **LOC (7) Cl.** **30-02**

FIG. 1 is a perspective view of a dog ramp being folded showing my new design;

[52] **U.S. Cl.** **D30/119**

FIG. 2 is a perspective view of a dog ramp being unfolded thereof showing my new design;

[58] **Field of Search** D30/119, 160,
D30/108; D34/32, 28; 14/69.5, 72.5, 71.7,
71.1, 71.3, 71.5; 119/847, 848, 849; 414/537

FIG. 3 is a top plan thereof;

[56] **References Cited**

FIG. 4 is a right side view, the left side view being a mirror image thereof;

U.S. PATENT DOCUMENTS

FIG. 5 is a bottom plan view thereof;

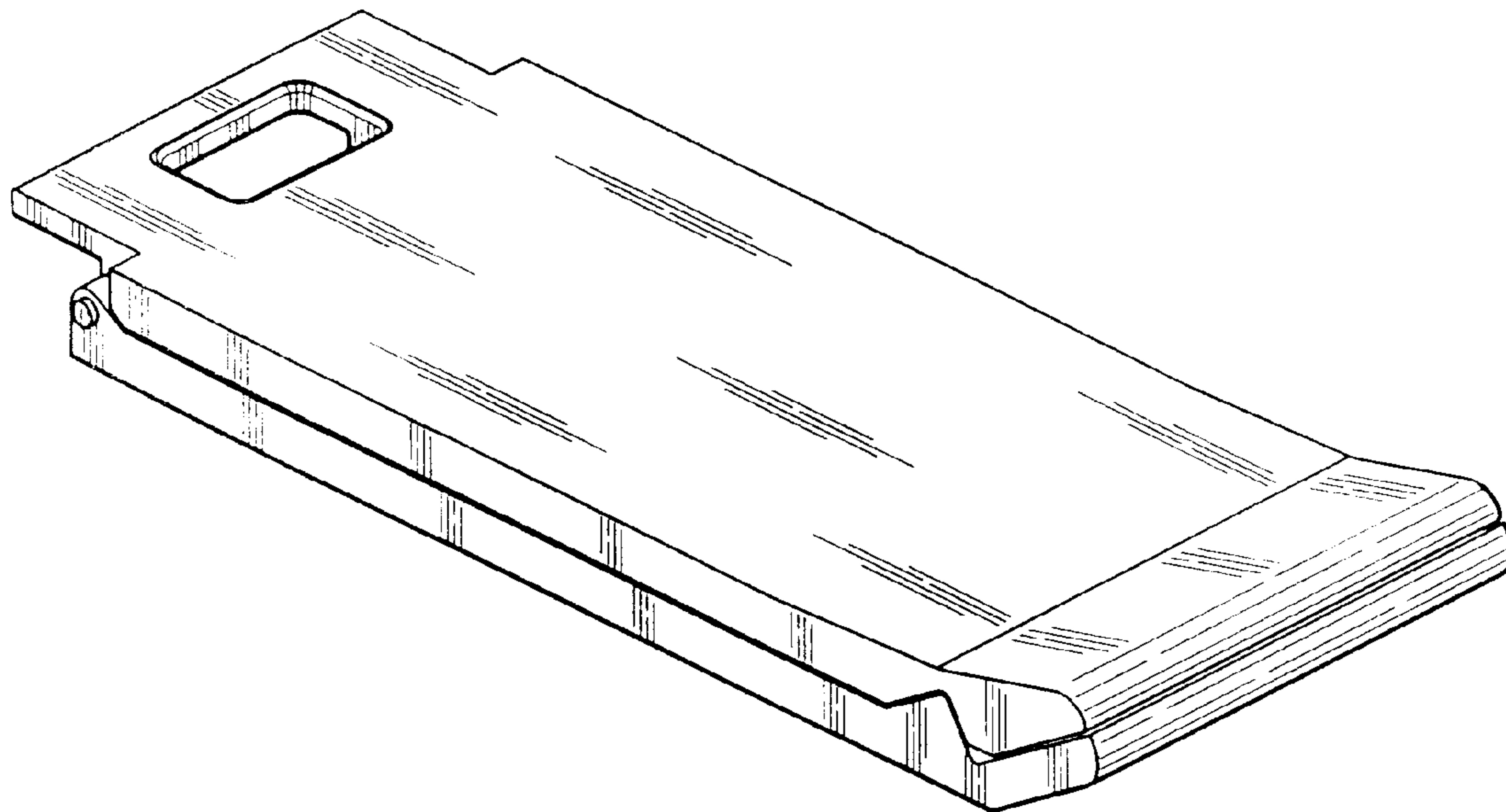
- D. 316,771 5/1991 Murray D34/32
- D. 322,872 12/1991 Holbrook D30/160
- D. 338,760 8/1993 Harrah D34/32
- D. 382,676 8/1997 Holbrook D30/119
- D. 383,261 9/1997 Karsten et al. D30/160

FIG. 6 a is a front elevational view thereof; and,

FIG. 7 a is a rear elevational view thereof.

The broken line showing of environment is for illustrative purposes only and forms no part of the claimed design.

1 Claim, 3 Drawing Sheets



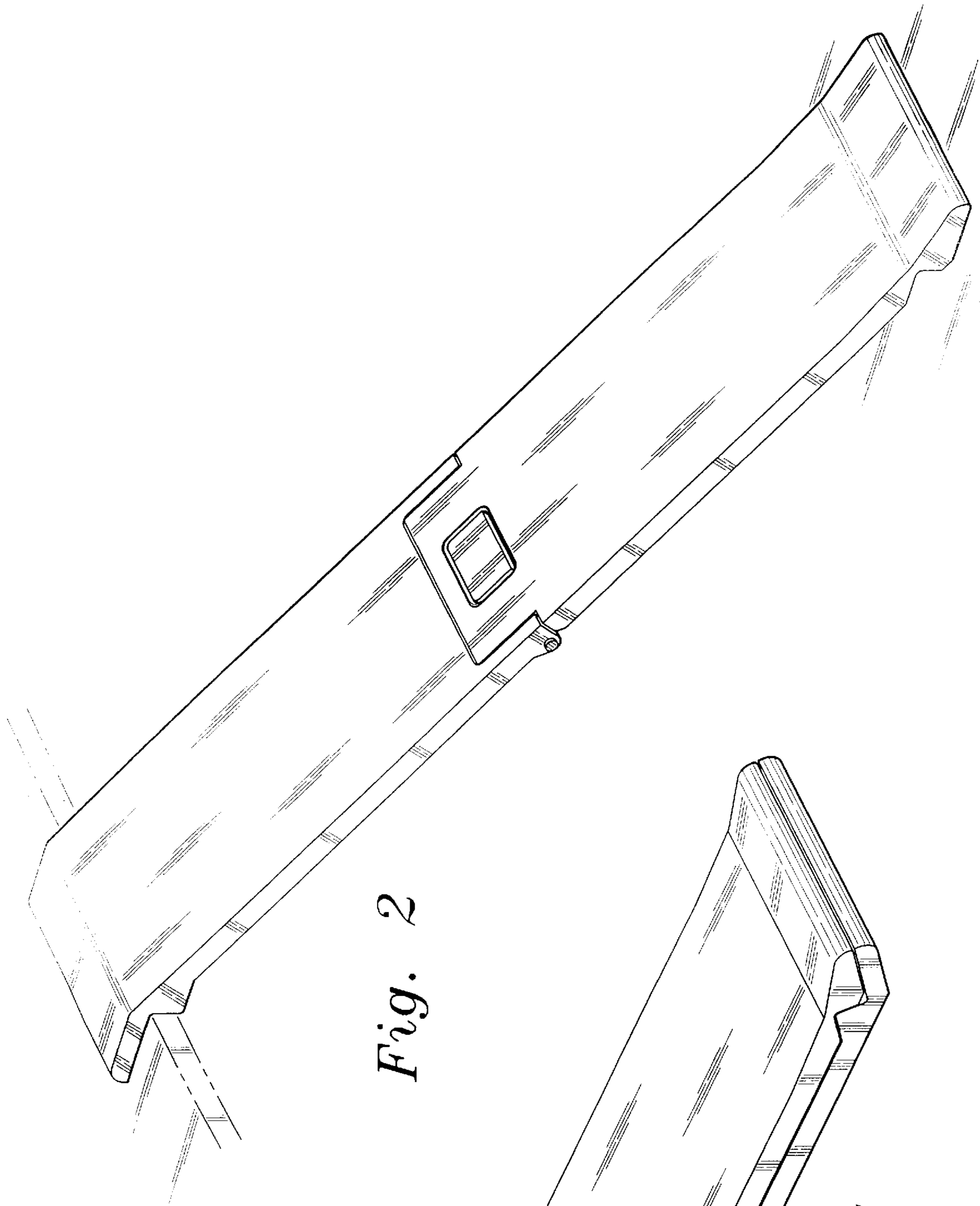


Fig. 2

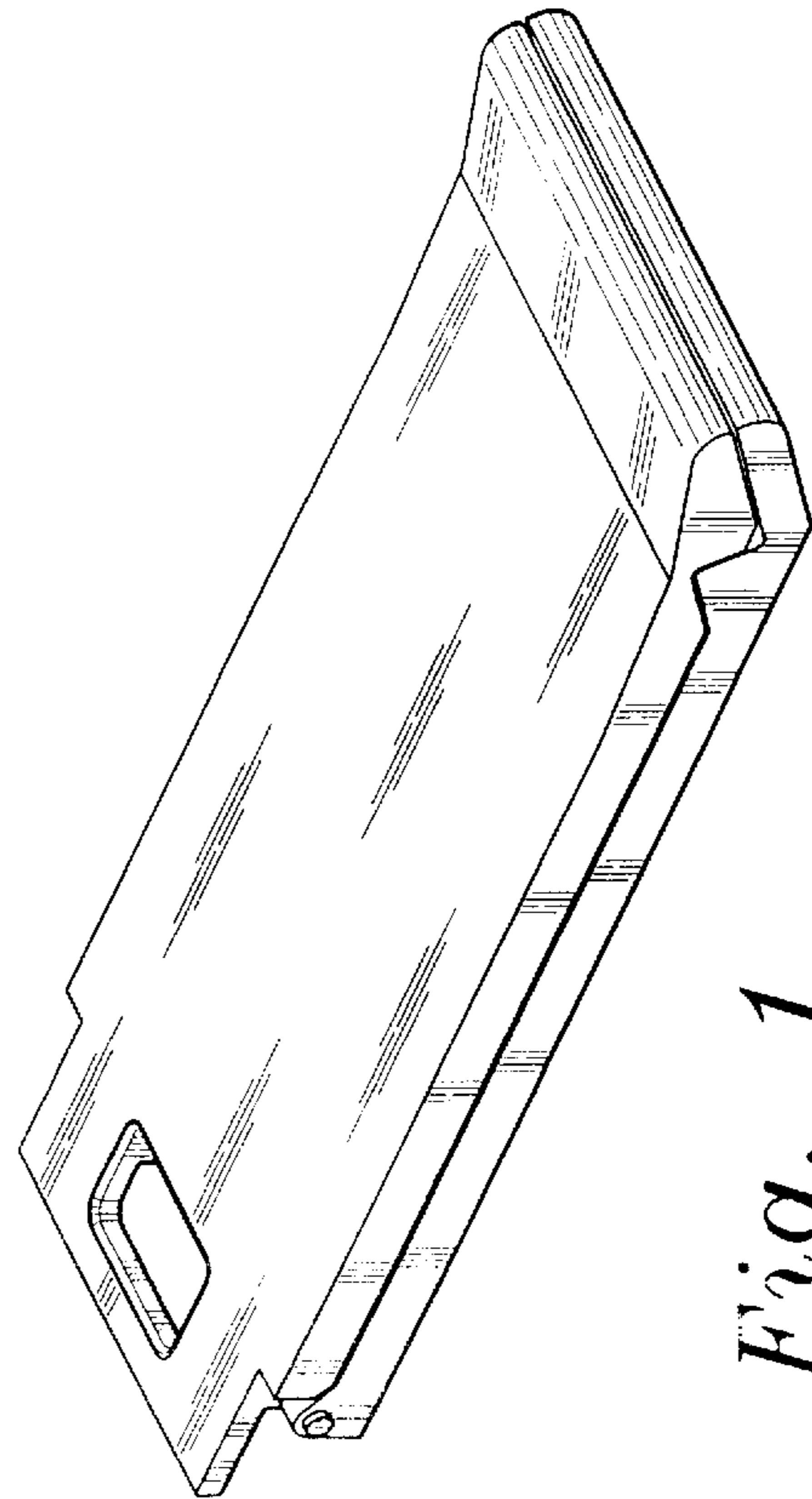


Fig. 1

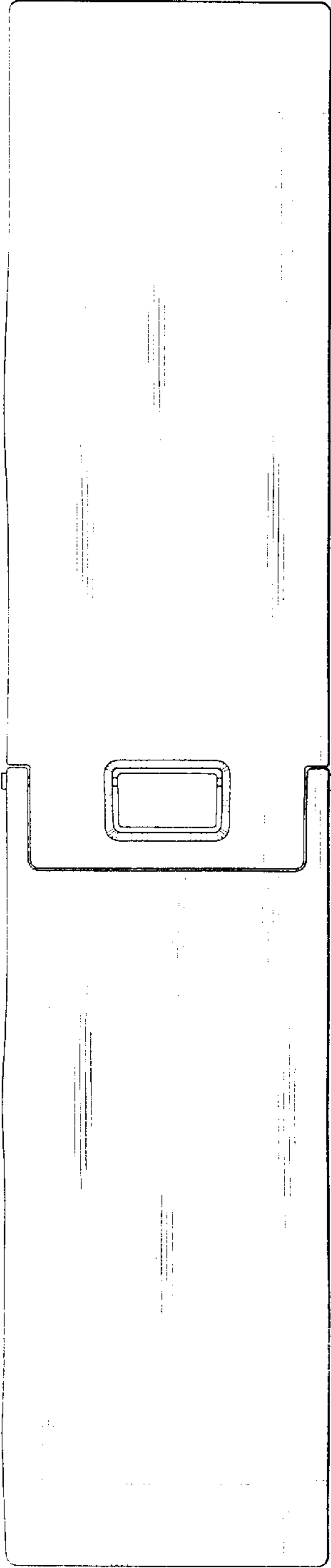


Fig. 3

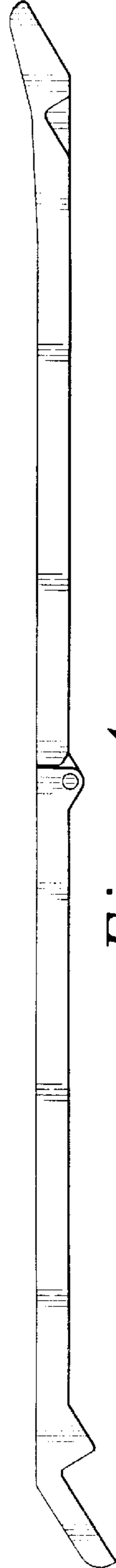


Fig. 4

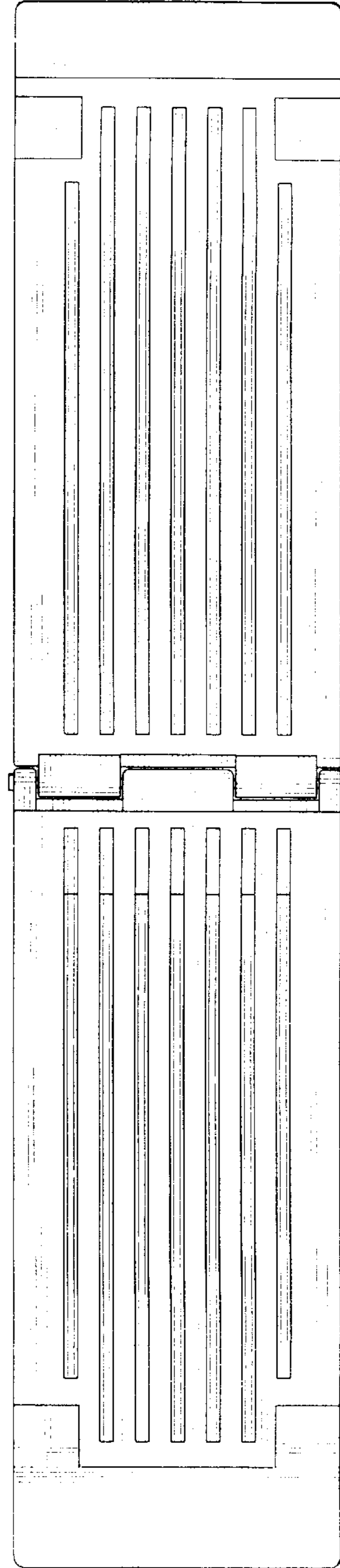


Fig. 5

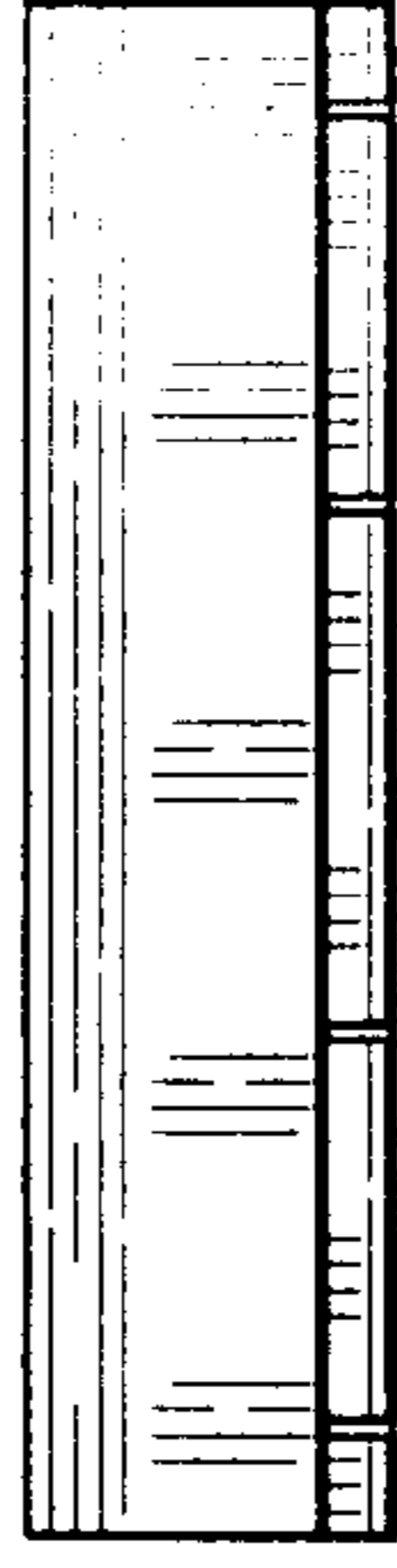


Fig. 7

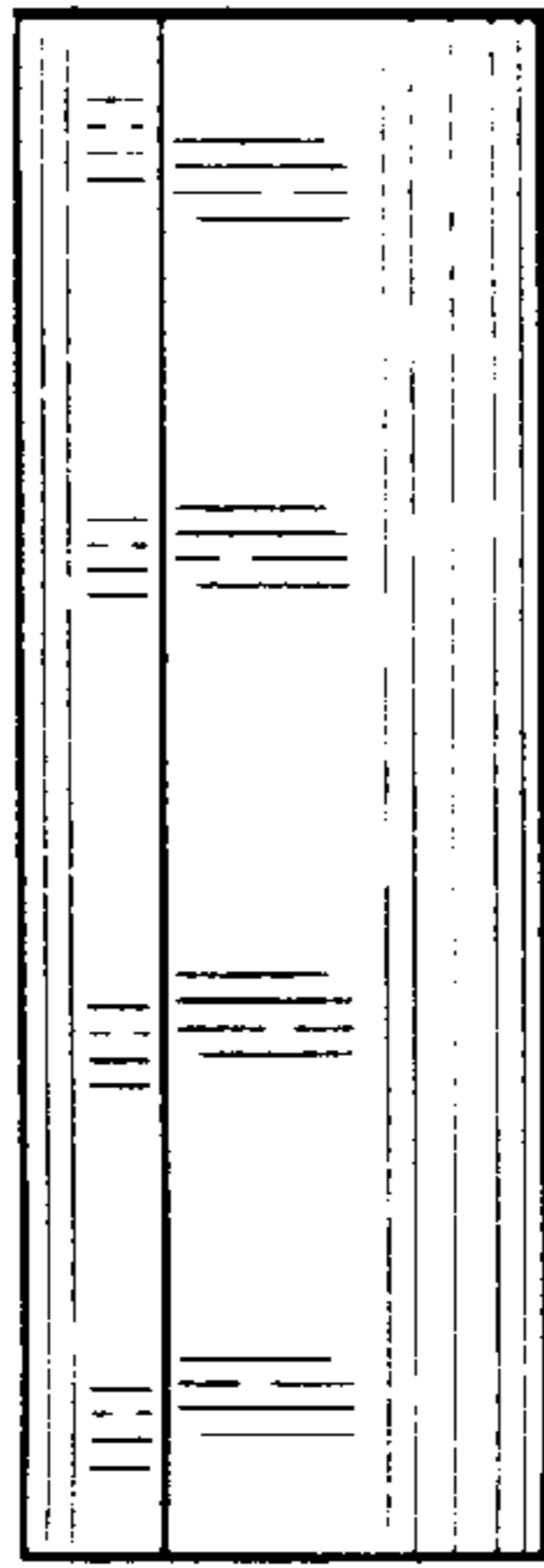


Fig. 6