



US00D420171S

United States Patent [19]

Fauerbach et al.

[11] Patent Number: Des. 420,171

[45] Date of Patent: ** *Feb. 1, 2000

[54] NAIL BUFFER WITH PANELS

[75] Inventors: Kurt Alan Fauerbach, Montclair, N.J.;
Chun-Chieh Lin, Rego Park; Rachel
Clark Stewart, Brooklyn, both of N.Y.

4,572,222 2/1986 Pangburn 132/76.4
4,712,552 12/1987 Pangburn 128/355
5,275,181 1/1994 Rudolph Jr. 132/76.4
5,287,863 2/1994 La Joie et al. 132/76.4
5,666,981 9/1997 Stephens 132/76.4
5,813,416 9/1998 Rudolph 132/76.4

[73] Assignee: Revlon Consumer Products
Corporation, New York, N.Y.

OTHER PUBLICATIONS

[*] Notice: This patent is subject to a terminal disclaimer.

Hong Kong Enterprise Feb. 1993, p. 427—item Nos. ER-4, ER-4S, R-E3-S, ER-3S, ER-3, R-E3, R-E4S, R-E4-PS and R-E4-ES.

[**] Term: 14 Years

Primary Examiner—Ted Shooman
Assistant Examiner—C Tuttle
Attorney, Agent, or Firm—Julie Blackburn

[21] Appl. No.: 29/099,404

[22] Filed: Jan. 20, 1999

[57] CLAIM

[51] LOC (7) Cl. 28-03
[52] U.S. Cl. D28/59
[58] Field of Search D28/56, 57, 59,
D28/61, 62; 132/73, 73.5, 75, 75.6, 76.2,
76.4, 76.5, 75.3

The ornamental design for a nail buffer with panels, as shown and described.

DESCRIPTION

[56] References Cited

U.S. PATENT DOCUMENTS

D. 49,710	9/1916	Luop	D28/59
D. 257,541	11/1980	Fox et al.	D28/59
D. 260,304	8/1981	Rosenberg	D28/59
D. 281,729	12/1985	Mast	D28/59
D. 369,438	4/1996	Resler	D28/59
3,318,318	5/1967	Gerwirz	132/76.4
3,706,316	12/1972	Ishii	132/76.4
3,923,070	12/1975	Tsukamoto	132/73
4,034,769	7/1977	Nishimura	132/76.4
4,343,910	8/1982	Busch, Jr. et al.	521/82 X
4,366,828	1/1983	Hokoma	132/75.6
4,459,987	7/1984	Pangburn	128/355 X

FIG. 1: is a front perspective view of the nail buffer showing a top panel and two side half panels;
FIG. 2: is a top plan view of the nail buffer showing the top panel;
FIG. 3: is a right side view of the nail buffer showing the two side half panels;
FIG. 4: is a left side view of the nail buffer showing two side half panels;
FIG. 5: is a bottom plan view of the nail buffer showing the bottom panel;
FIG. 6: is a front plan view of the nail buffer showing the intersection of two side panels; and,
FIG. 7: is a rear plan view of the nail buffer showing the intersection of two side panels.

1 Claim, 1 Drawing Sheet

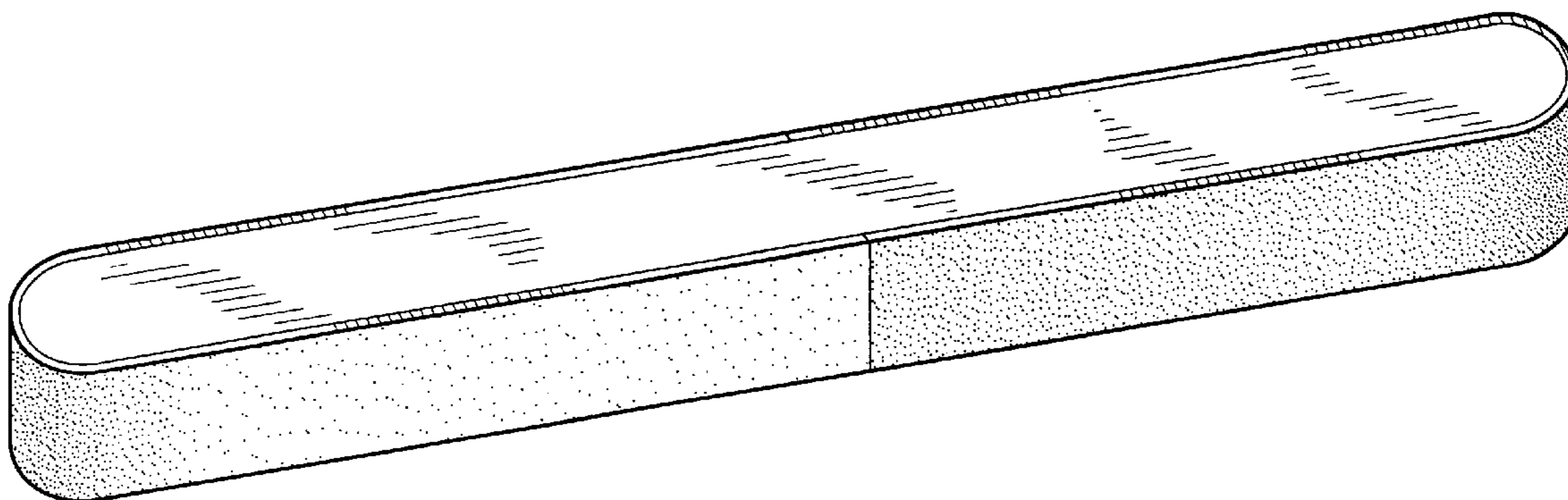


FIG. 1

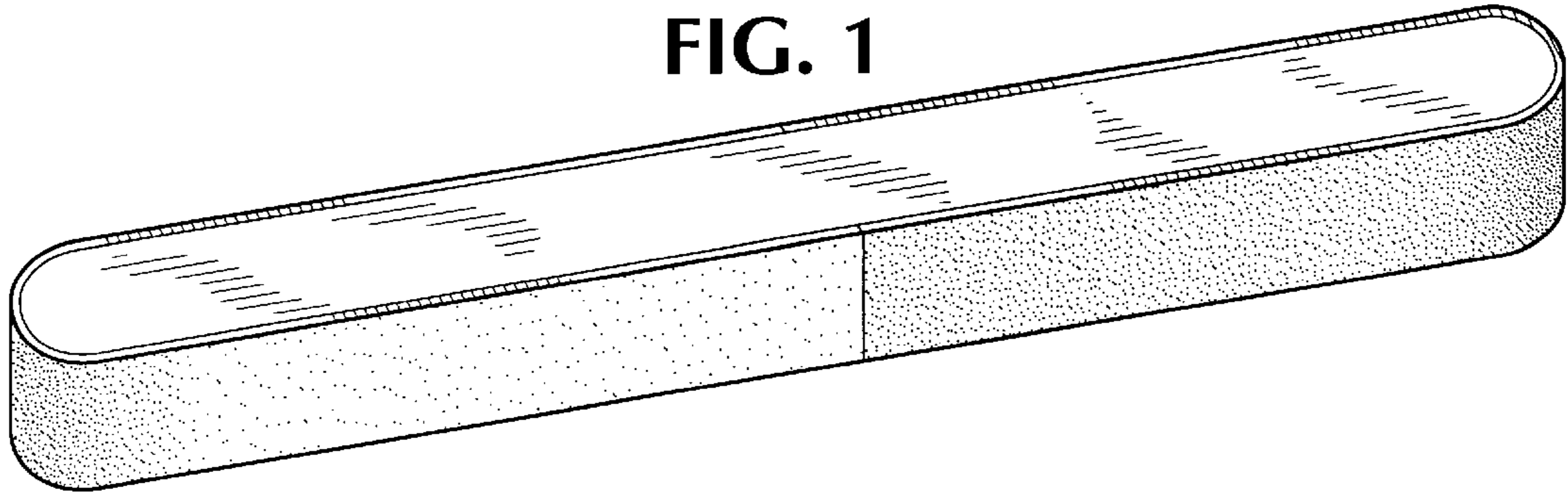


FIG. 2

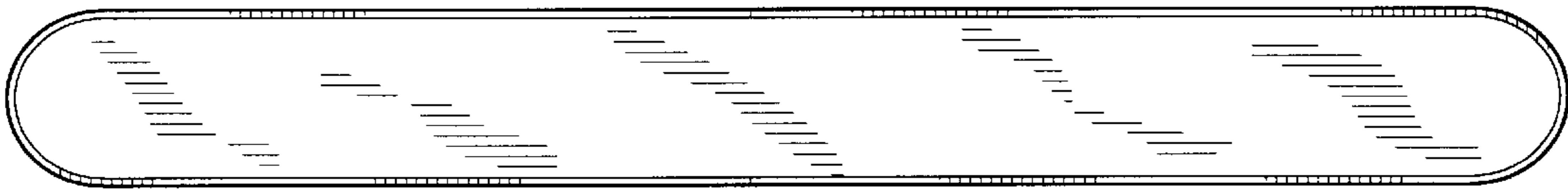


FIG. 3

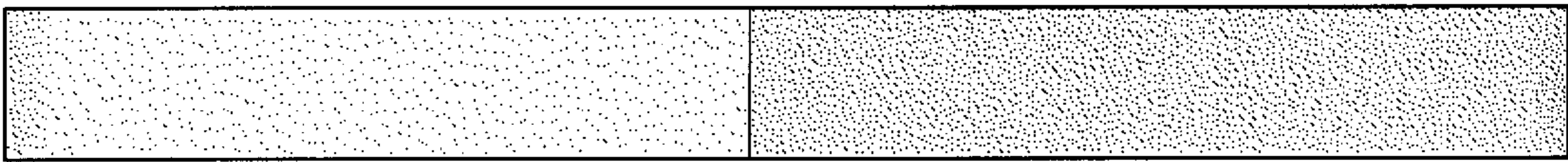


FIG. 4

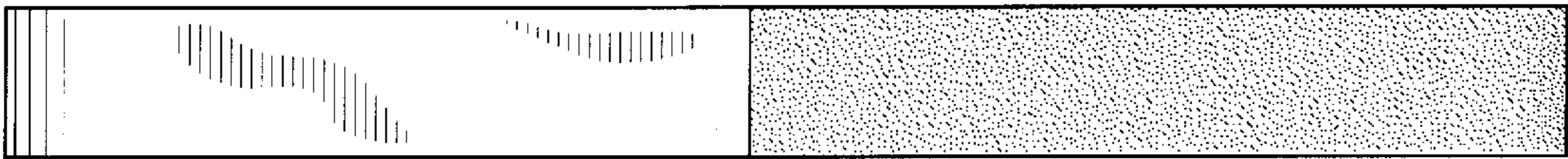


FIG. 5

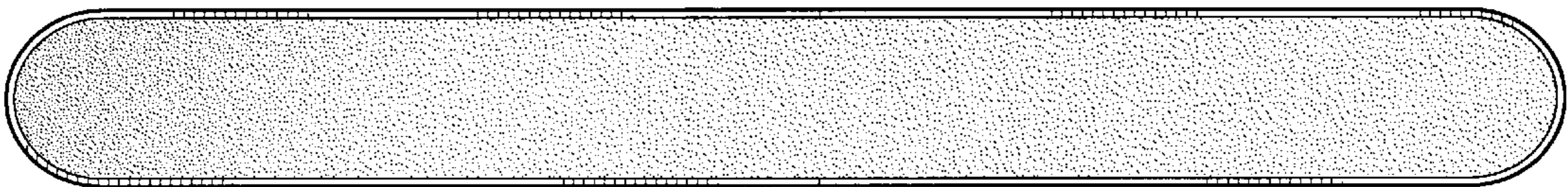


FIG. 6

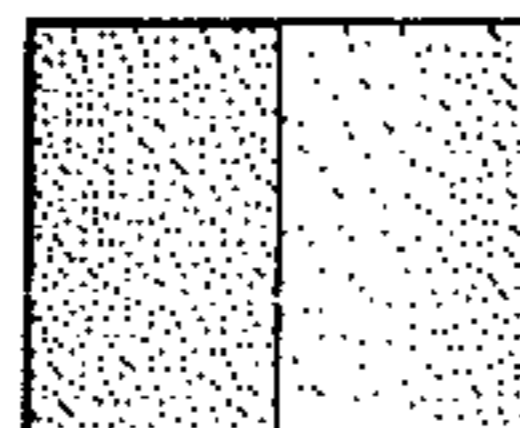


FIG. 7

