



US00D420163S

United States Patent [19] Fouke

[11] **Patent Number: Des. 420,163**
[45] **Date of Patent: ** Feb. 1, 2000**

[54] **SUSPENDED LUMINAIRE**

[75] Inventor: **Herbert Alan Fouke**, Newark, Ohio

[73] Assignee: **Holophane Corporation**, Newark, Ohio

[**] Term: **14 Years**

[21] Appl. No.: **29/100,074**

[22] Filed: **Feb. 3, 1999**

- D. 332,503 1/1993 Ewing et al. .
- D. 332,504 1/1993 Ewing et al. .
- D. 333,011 2/1993 Ewing et al. .
- D. 343,244 1/1994 Belisle .
- D. 343,250 1/1994 Fouke et al. .
- D. 343,252 1/1994 Belisle .
- D. 347,486 5/1994 Gruber et al. D26/85
- D. 350,622 9/1994 Gruber et al. .
- D. 354,580 1/1995 Fouke et al. .
- D. 368,974 4/1996 Belisle .
- 4,858,091 8/1989 Fouke .

Related U.S. Application Data

[62] Division of application No. 29/086,111, Apr. 6, 1998, Pat. No. Des. 410,105.

[51] **LOC (7) Cl. 26-05**

[52] **U.S. Cl. D26/88**

[58] **Field of Search 362/147, 404-408, 362/362, 363, 350, 351, 310, 326, 329**

[56] References Cited

U.S. PATENT DOCUMENTS

- D. 100,102 6/1936 Halvorson .
- D. 244,606 6/1977 Fouke et al. .
- D. 254,215 2/1980 Yahraus et al. .
- D. 294,976 3/1988 Ewing .
- D. 298,863 12/1988 Tharp et al. .
- D. 302,737 8/1989 Hoke et al. .
- D. 315,612 3/1991 Hughes et al. .
- D. 321,408 11/1991 Hughes et al. .

OTHER PUBLICATIONS

Holophane Lighting Catalog, 1953, p. 54.

Primary Examiner—Susan J. Lucas
Attorney, Agent, or Firm—Brooks & Kushman P.C.

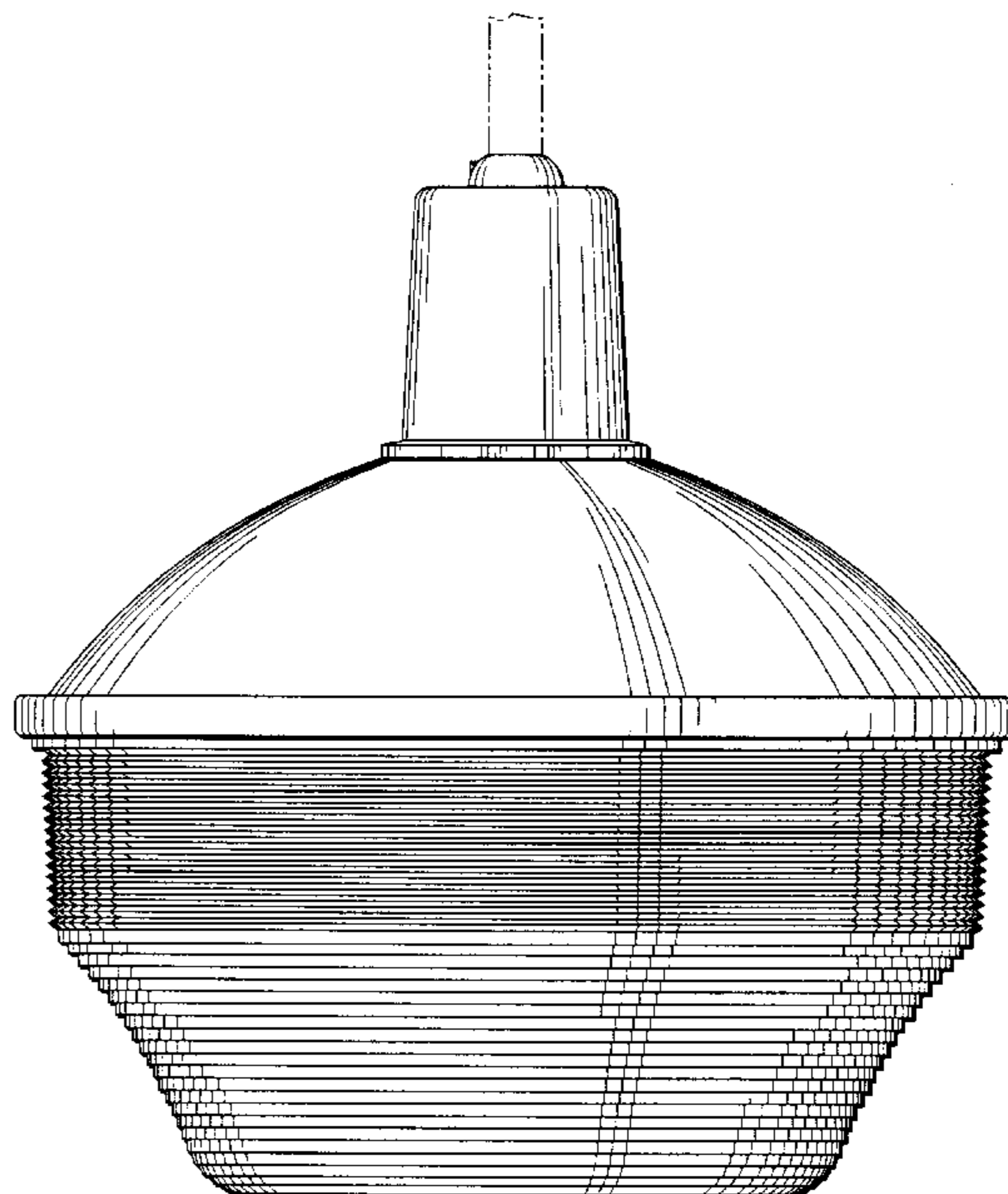
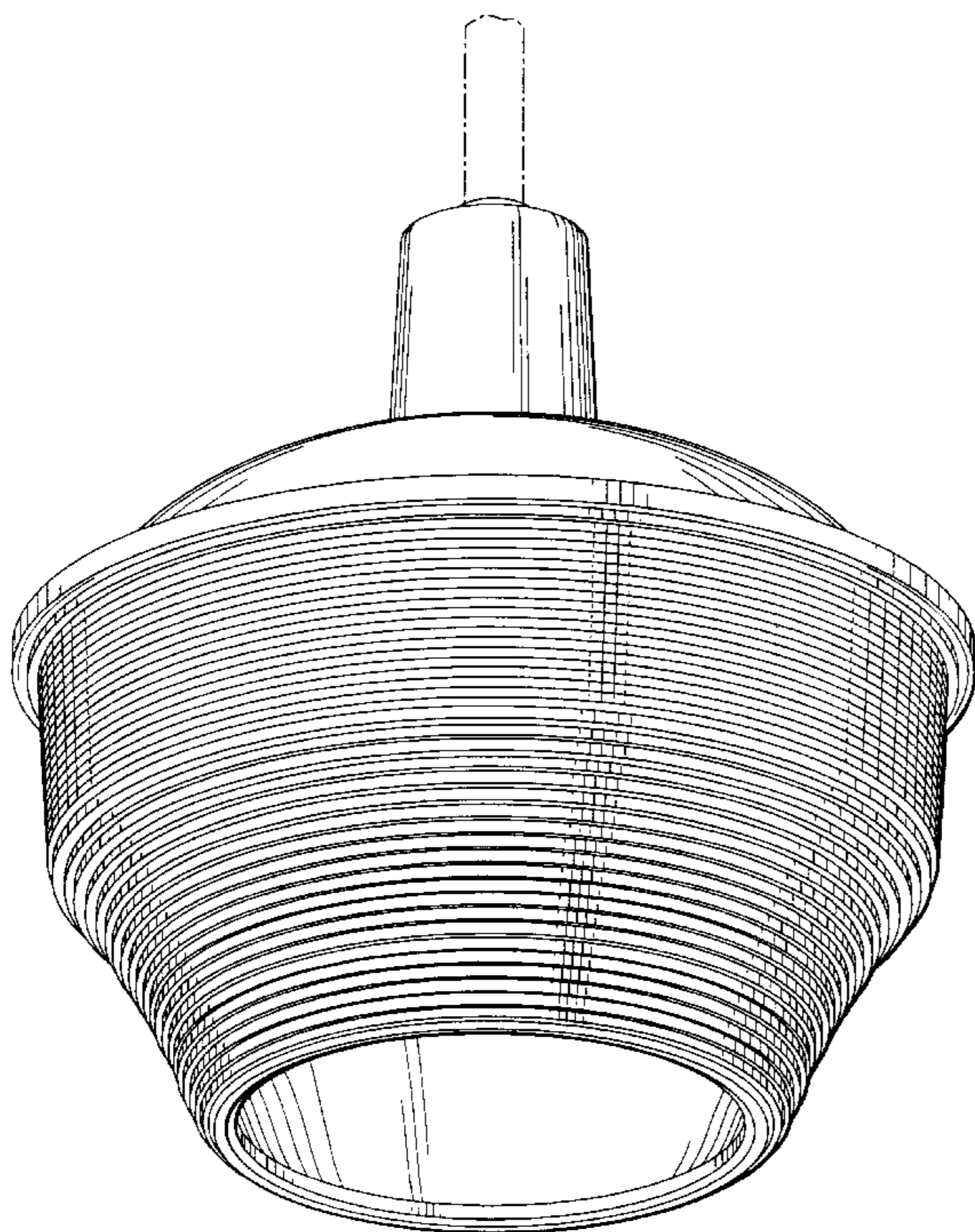
[57] CLAIM

The ornamental design for a suspended luminaire, as shown and described.

DESCRIPTION

FIG. 1 is a perspective view of my new design; FIG. 2 is an elevational view of the new design; FIG. 3 is a top plan view of the new design; and, FIG. 4 is a bottom plan view of the new design. The broken lines are shown for illustrative purposes only and form no part of the claimed design.

1 Claim, 3 Drawing Sheets



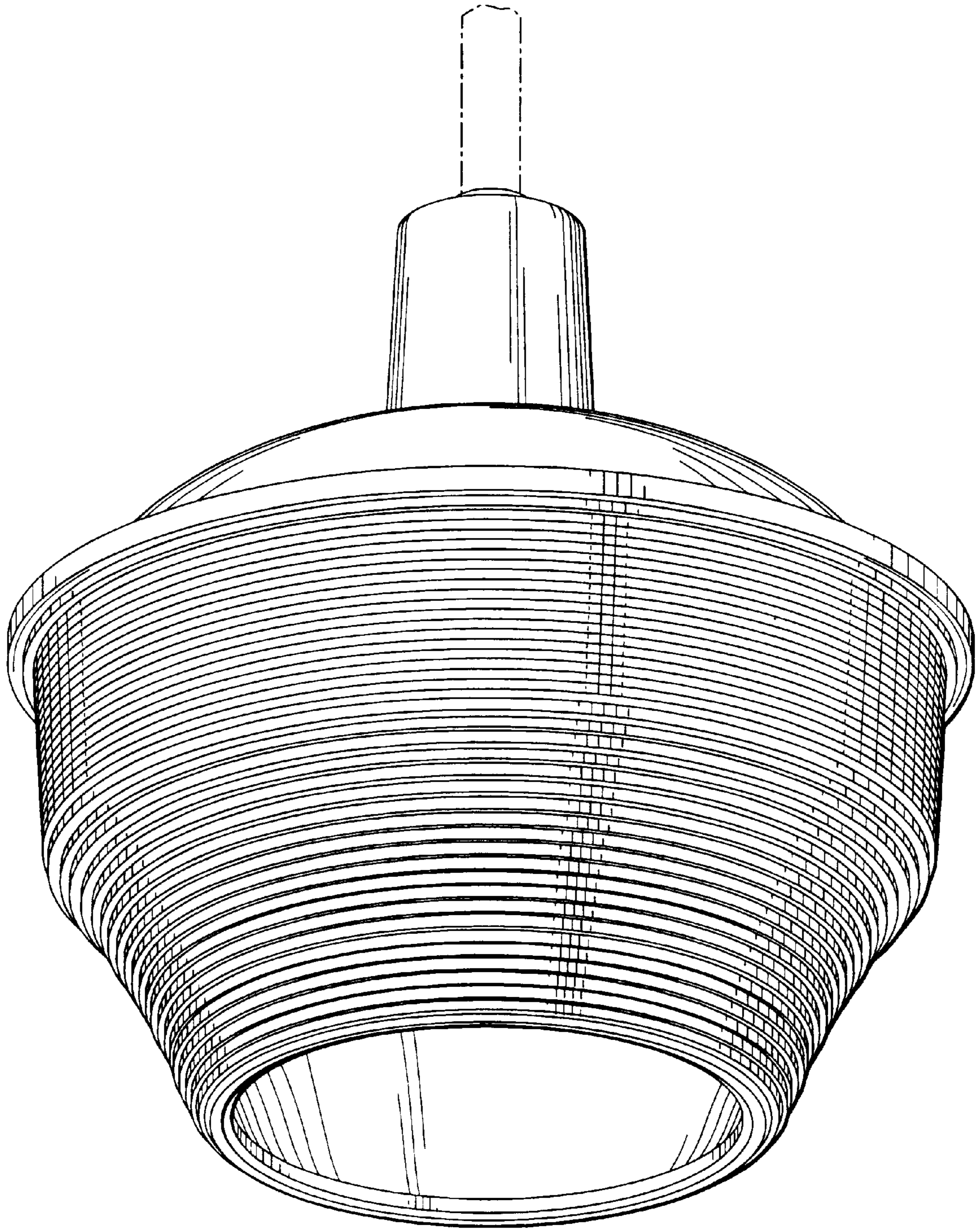


Fig. 1

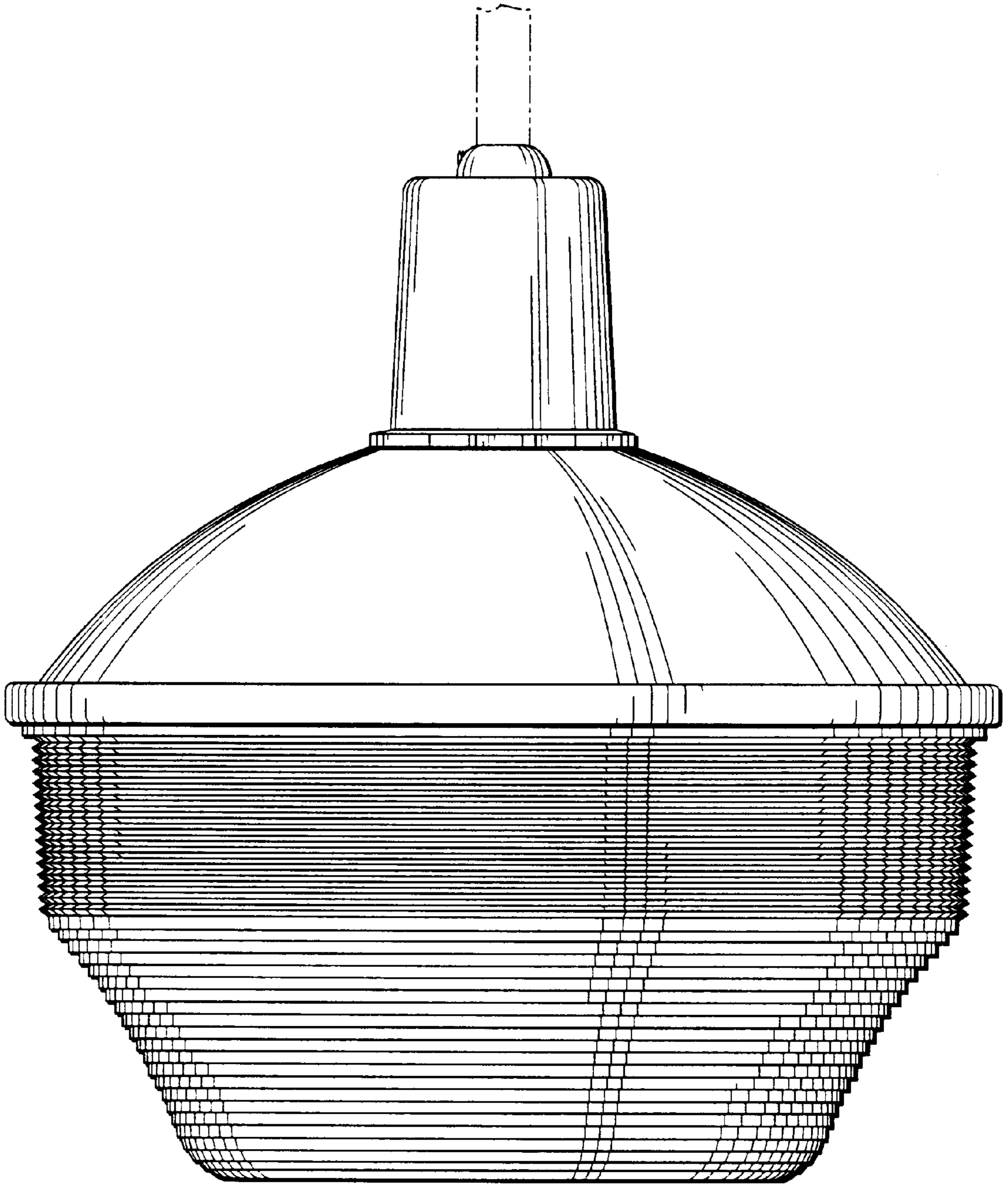


Fig. 2

Fig. 3

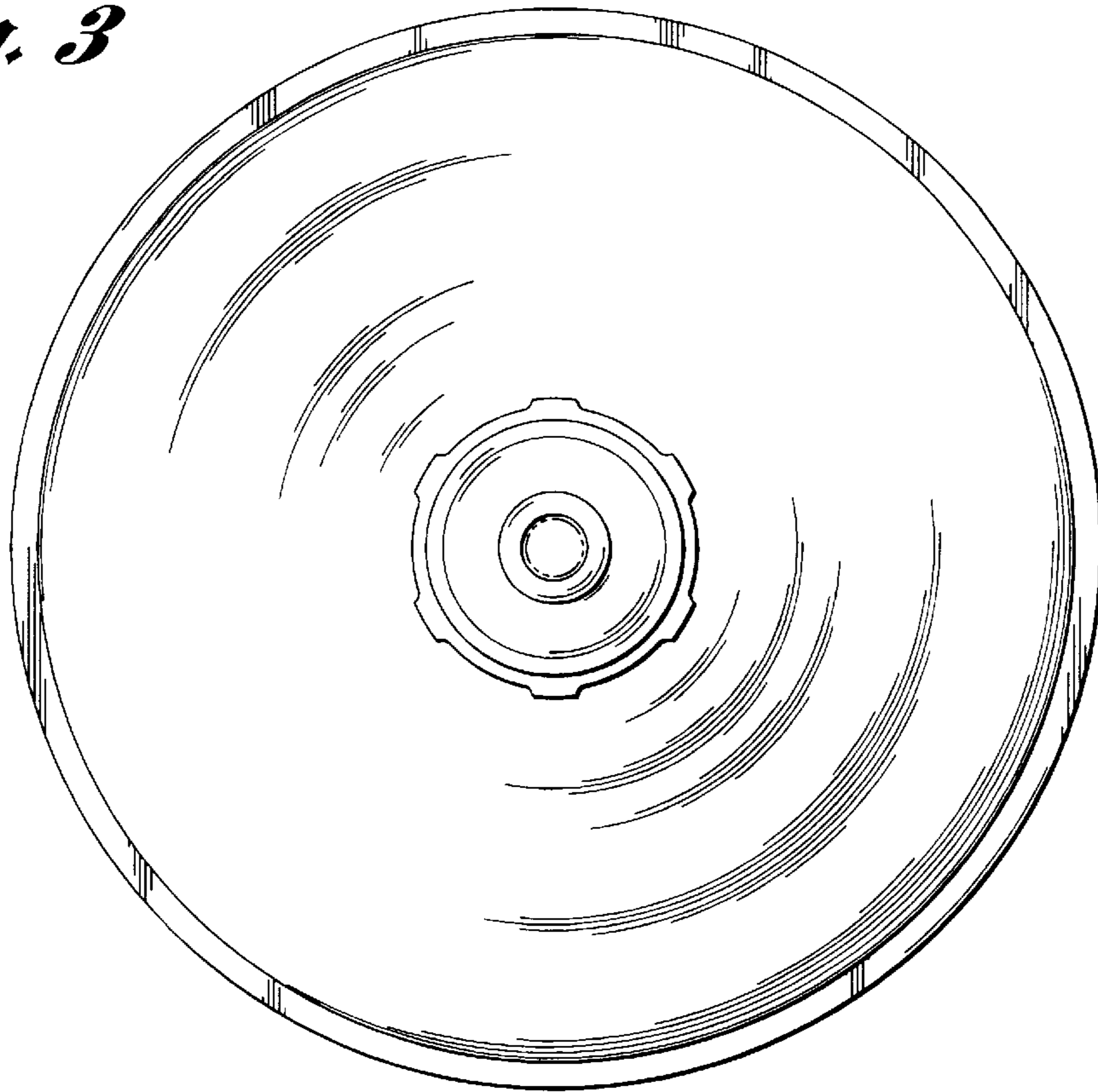


Fig. 4

