



US00D420162S

United States Patent [19]

[11] **Patent Number: Des. 420,162**

Meck et al.

[45] **Date of Patent: ** Feb. 1, 2000**

[54] **EXTERIOR LAMP**

[75] Inventors: **Leslie A. Meck**, Fleetwood; **Rockwood T. Roberts, III**, Shillington, both of Pa.

[73] Assignee: **Baldwin Hardware Corporation**, Reading, Pa.

[**] Term: **14 Years**

[21] Appl. No.: **29/095,806**

[22] Filed: **Oct. 30, 1998**

[51] **LOC (7) Cl.** **26-05**

[52] **U.S. Cl.** **D26/87**

[58] **Field of Search** D26/72, 85, 88,
D26/89, 92, 68, 69, 70; 362/147, 431, 432,
367, 363

Sea Gull Lighting Products, Inc. Riverside, New Jersey pp. 14, 20, 21, 17, 23, 1993.

Hinkley Lighting, Inc. Cleveland, Ohio pp. 88, 94, 1990.
Dinico Products, Inc. Hackensack, New Jersey pp. 31, 47,
Prior to Filing Date.

Georgian Art Lighting Designs, Inc. lighting catalog, p. 2,
wall lantern, top, left, # 20-967, 1986.

Home Lighting and Accessories, p. 48, wall lantern,
#6642-2, Jun. 1996.

Primary Examiner—Susan J. Lucas

Attorney, Agent, or Firm—Myron B. Kapustij; Lloyd D. Doigan

[57] CLAIM

The ornamental design for an exterior lamp, as shown and described.

DESCRIPTION

FIG. 1 is a front perspective view of an exterior lamp showing our new design;

FIG. 2 is a front elevational view thereof;

FIG. 3 is a right side elevational view thereof, the left side being a mirror image;

FIG. 4 is a top plan view thereof;

FIG. 5 is a bottom plan view thereof; and,

FIG. 6 is a rear elevational view thereof.

The broken line showings of the light bulb sockets in FIG. 1, the tail in FIGS. 1, 2, 3, 5 and 6 and of the base in FIGS. 1, 2, 3, 5 and 6 are for purposes of illustration only and form no part of the claimed design.

References Cited

U.S. PATENT DOCUMENTS

D. 354,150 1/1995 Porter D26/87 X

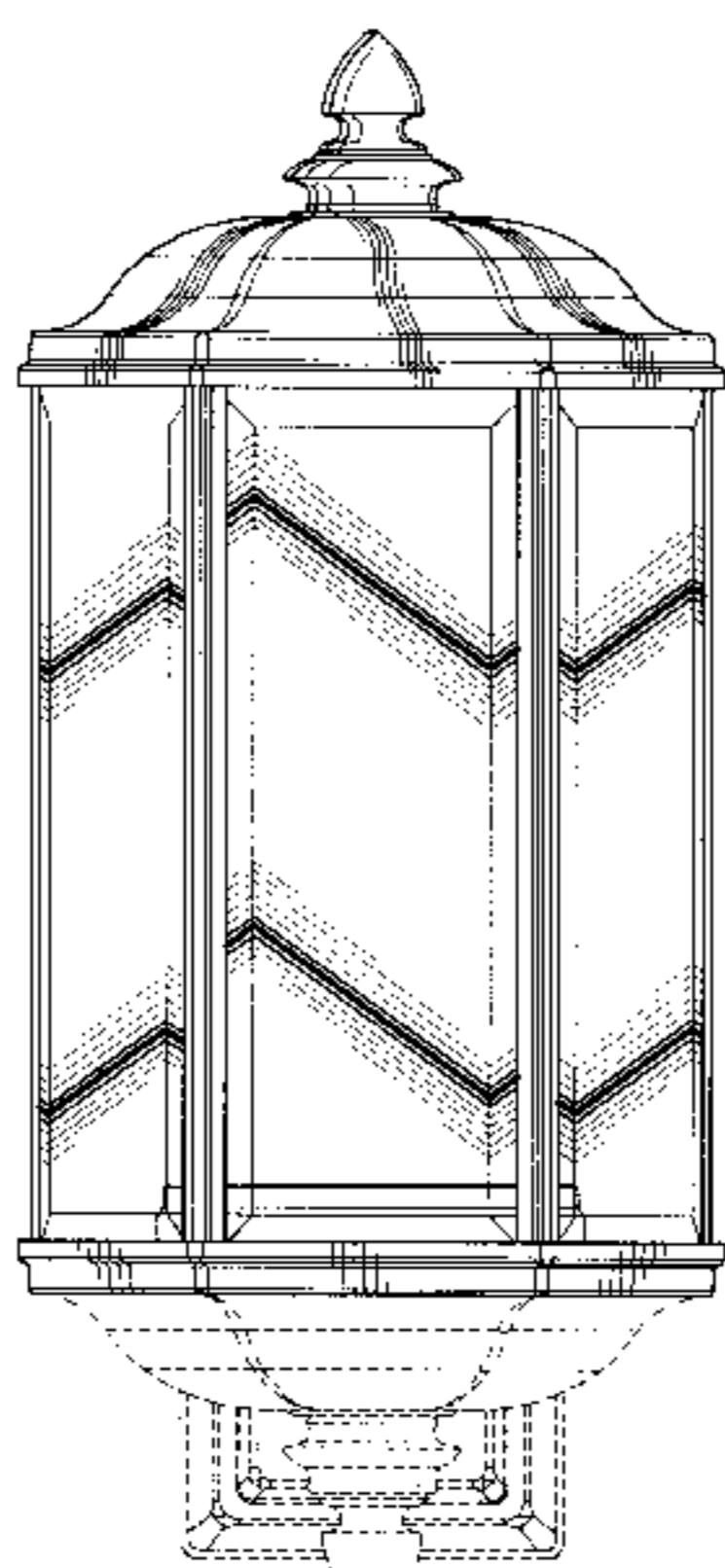
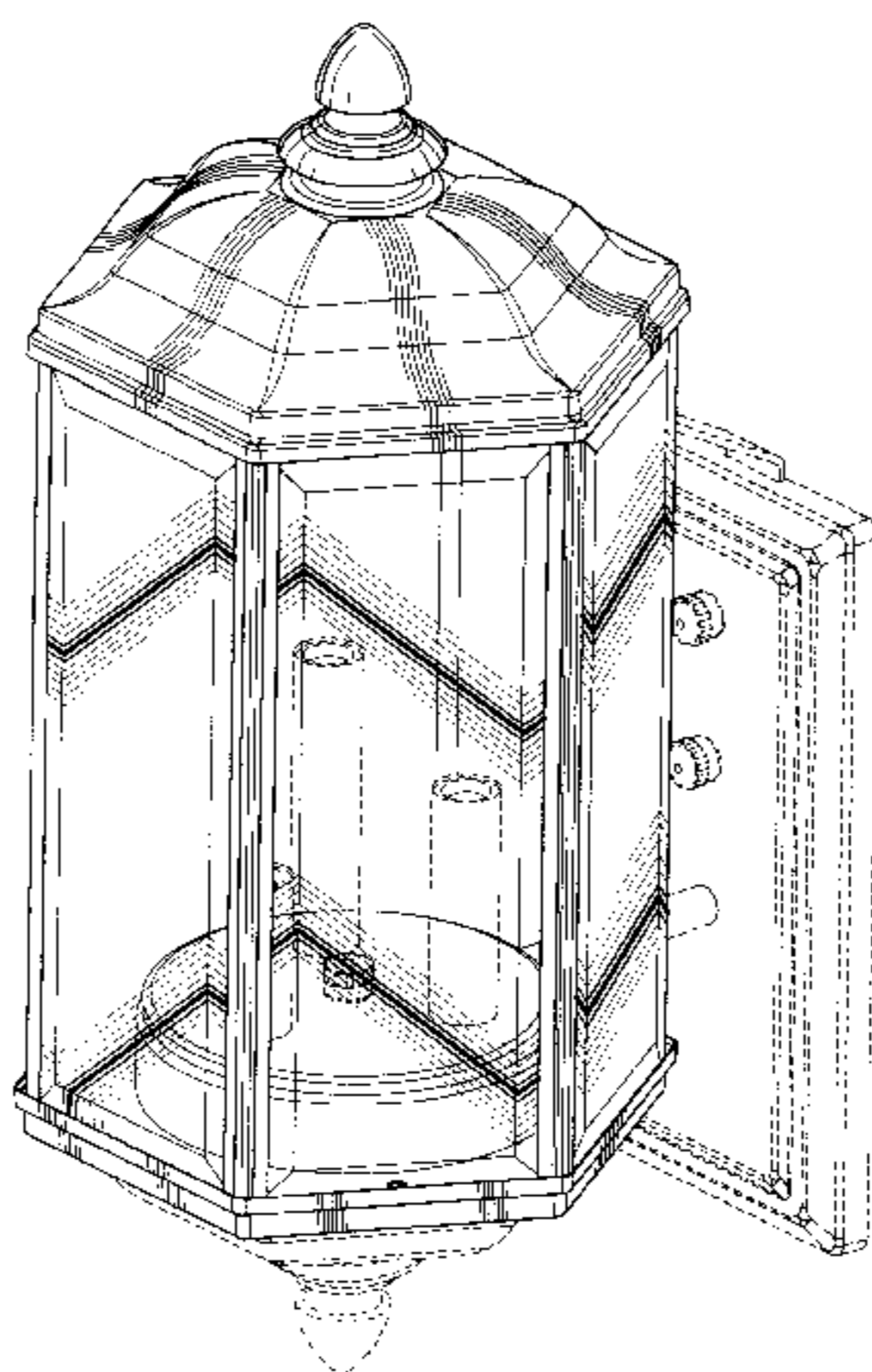
OTHER PUBLICATIONS

Homecoming Troy Lighting Lantern Collection City of Industry, California pp. 23, 24, 20, 21, 28, 34, 60, Prior to Filing Date.

Progress Lighting Spartanburg, South Carolina pp. 188, 184, 161, 164, 168, 185, 186, 196, 198, Prior to Filing Date.

American Lantern Company Newport, Arkansas pp. 48, 22, 45, 47, 43, 61, 62, Prior to Filing Date.

1 Claim, 3 Drawing Sheets



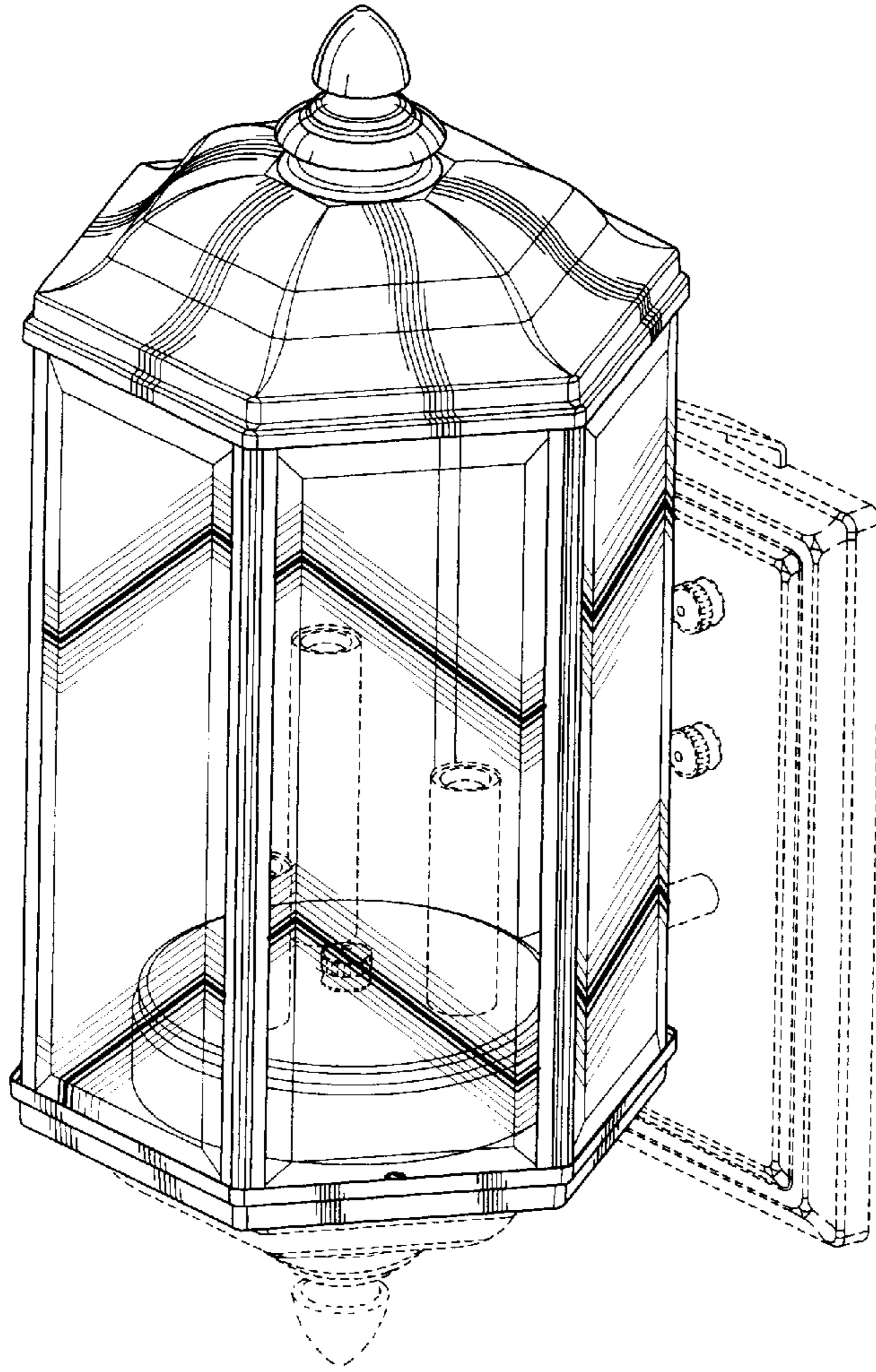


Fig-1

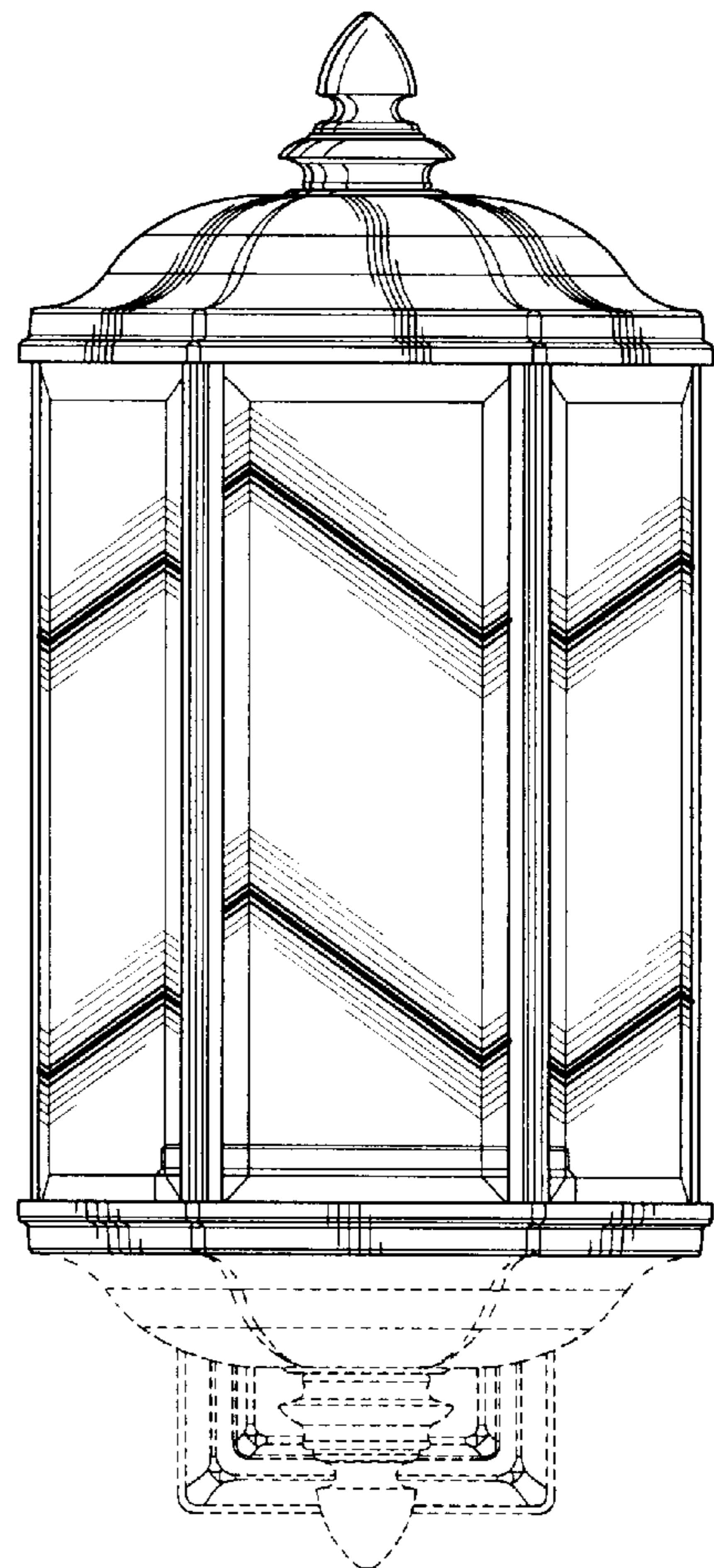


Fig-2

Fig-3

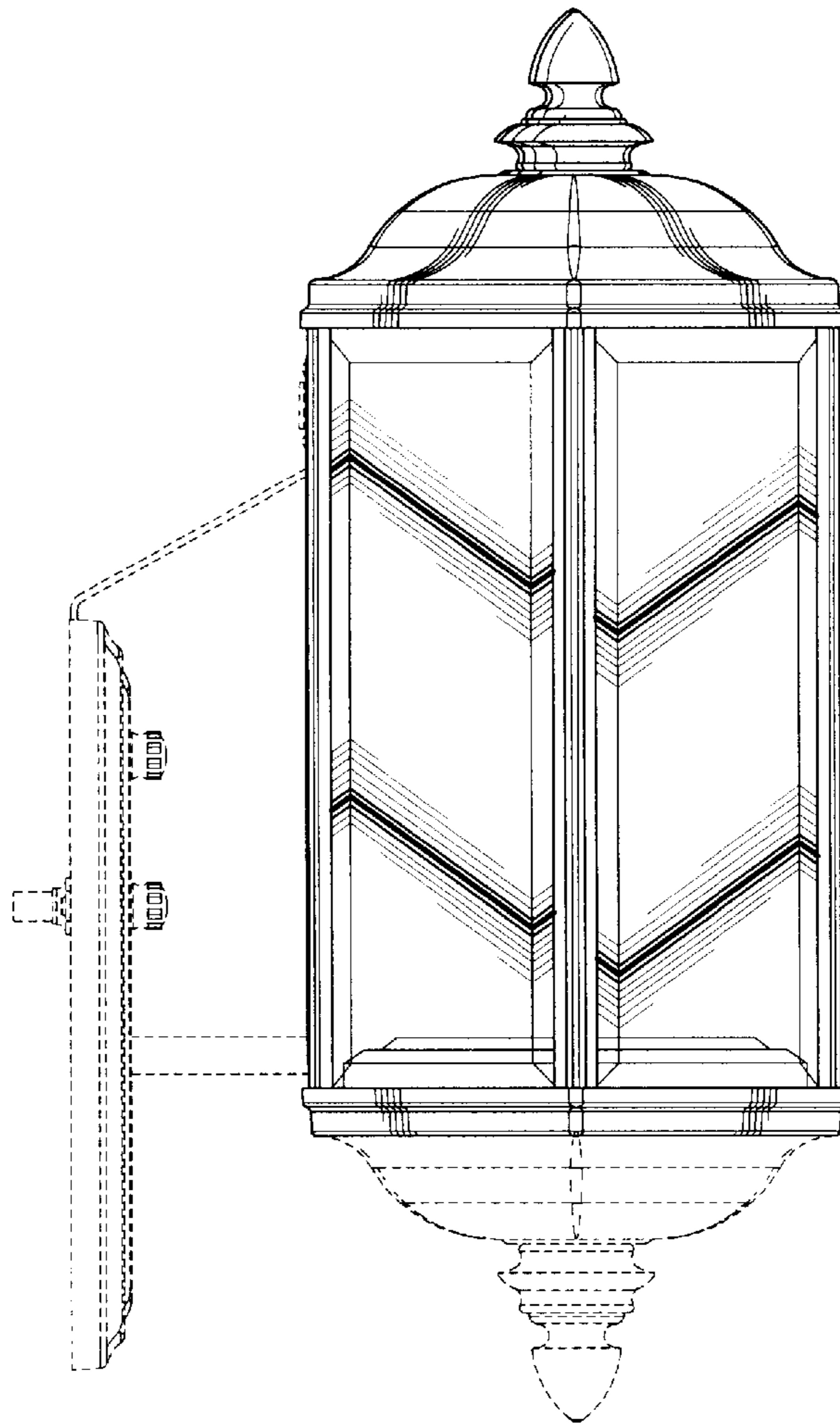


Fig-4

