



US00D420161S

United States Patent [19] Zuege

[11] Patent Number: **Des. 420,161**

[45] Date of Patent: **** Feb. 1, 2000**

[54] **LIGHT FIXTURE FOR A CEILING FAN**

[75] Inventor: **Bradford C. Zuege**, Cordova, Tenn.

[73] Assignee: **Hunter Fan Company**, Memphis, Tenn.

[**] Term: **14 Years**

[21] Appl. No.: **29/090,711**

[22] Filed: **Jul. 13, 1998**

[51] **LOC (7) Cl.** **26-05**

[52] **U.S. Cl.** **D26/84**

[58] **Field of Search** D26/72, 73, 80-92,
D26/59, 142, 143, 144, 149, 152, 156;
362/147, 404-408, 432, 806, 253, 96; D23/370,
377, 378, 379, 385

[56] **References Cited**

U.S. PATENT DOCUMENTS

D. 315,946	4/1991	Holbrook	D23/377
D. 339,202	9/1993	Holbrook	D26/84
D. 366,341	1/1996	Lin	D26/84
D. 406,671	3/1999	Tsuji	D26/84

OTHER PUBLICATIONS

Taiwan Lighting, p. 200, ceiling fan lighting, #CS-121, Aug. 1993.

Primary Examiner—Susan J. Lucas
Attorney, Agent, or Firm—Garrison, Morris & Haight, PLLC

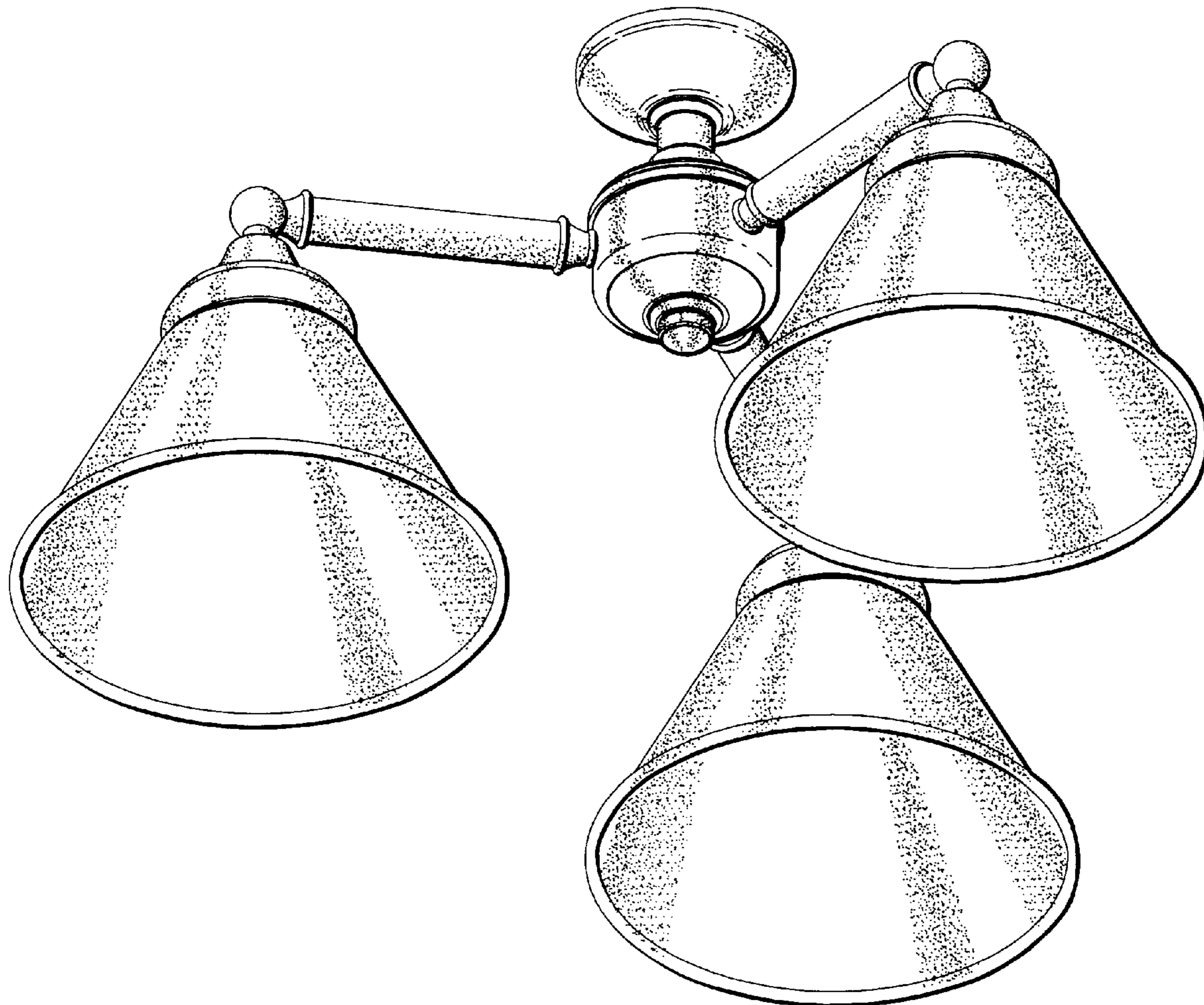
[57] **CLAIM**

The ornamental design for a light fixture for a ceiling fan, as shown and described.

DESCRIPTION

FIG. 1 is a perspective view of a light fixture for a ceiling fan showing my new design;
FIG. 2 is a front view thereof; the rear-view being a mirror image thereof;
FIG. 3 is a right-side view thereof;
FIG. 4 is a left-side view thereof;
FIG. 5 is a top view thereof;
FIG. 6 is a bottom view thereof; and,
FIG. 7 is a perspective view of the light fixture for a ceiling fan shown in FIGS. 1-6, the broken lines illustrating environmental structure only and forming no part of the claimed design.

1 Claim, 7 Drawing Sheets



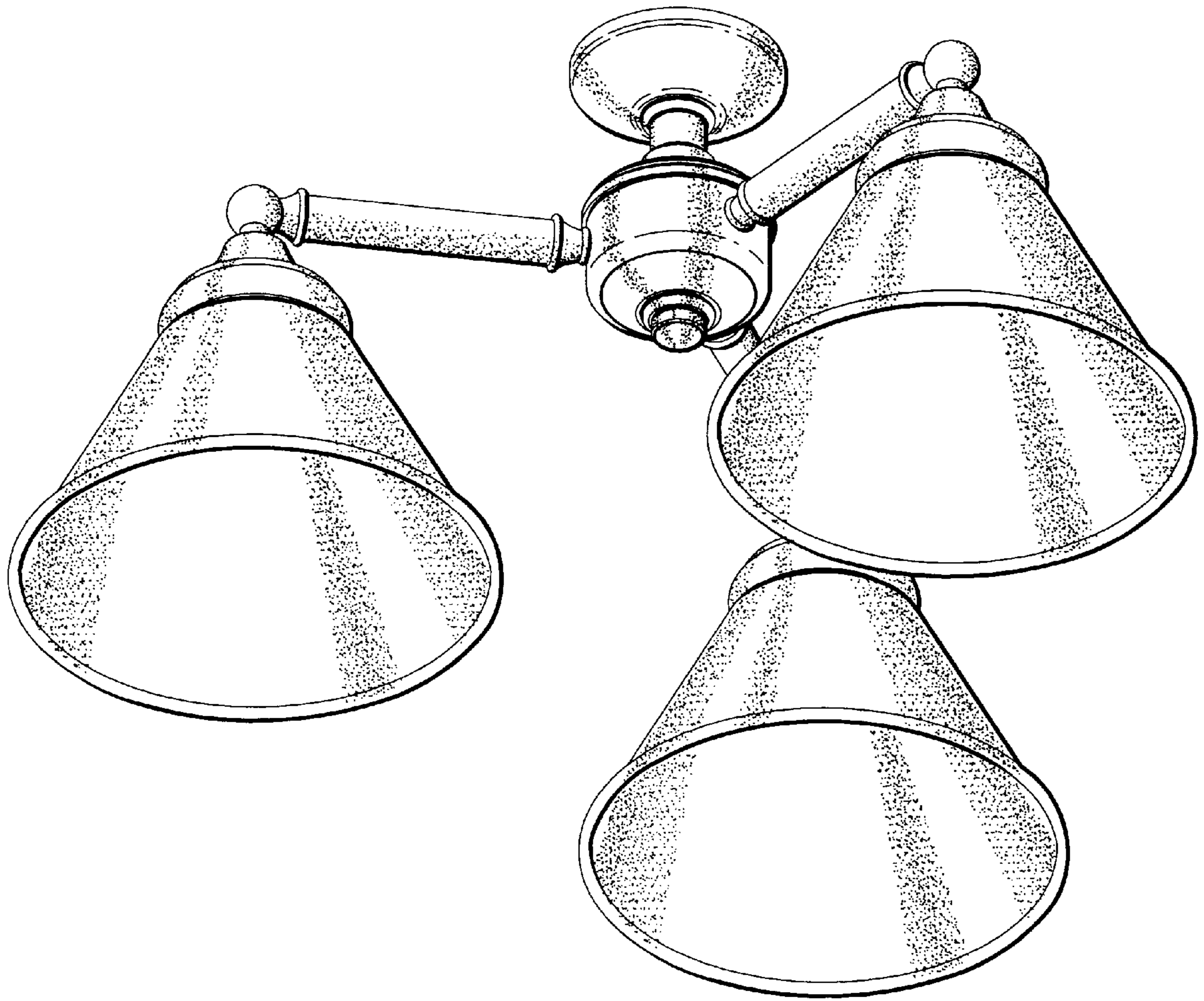


FIG 1

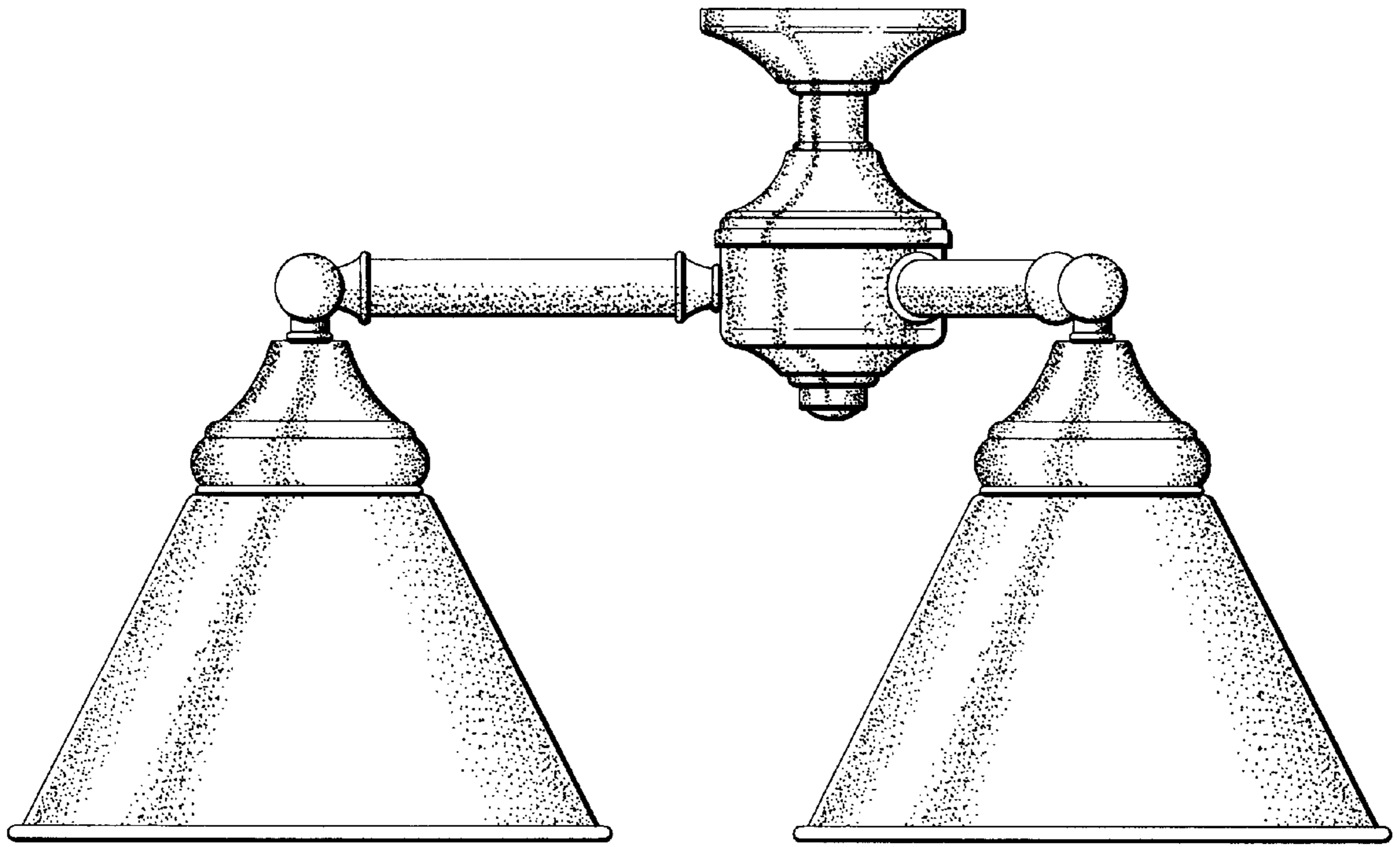


FIG 2

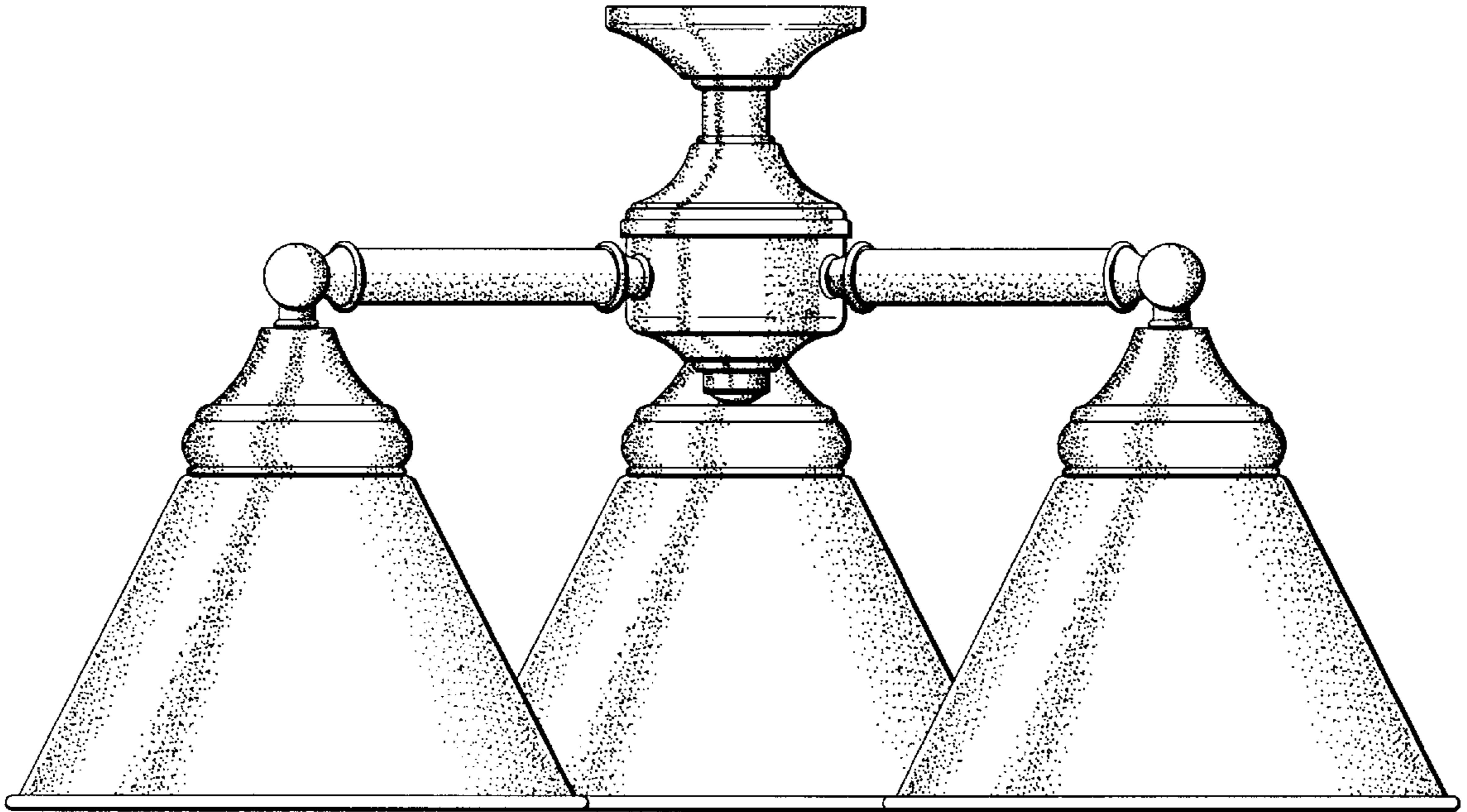


FIG 3

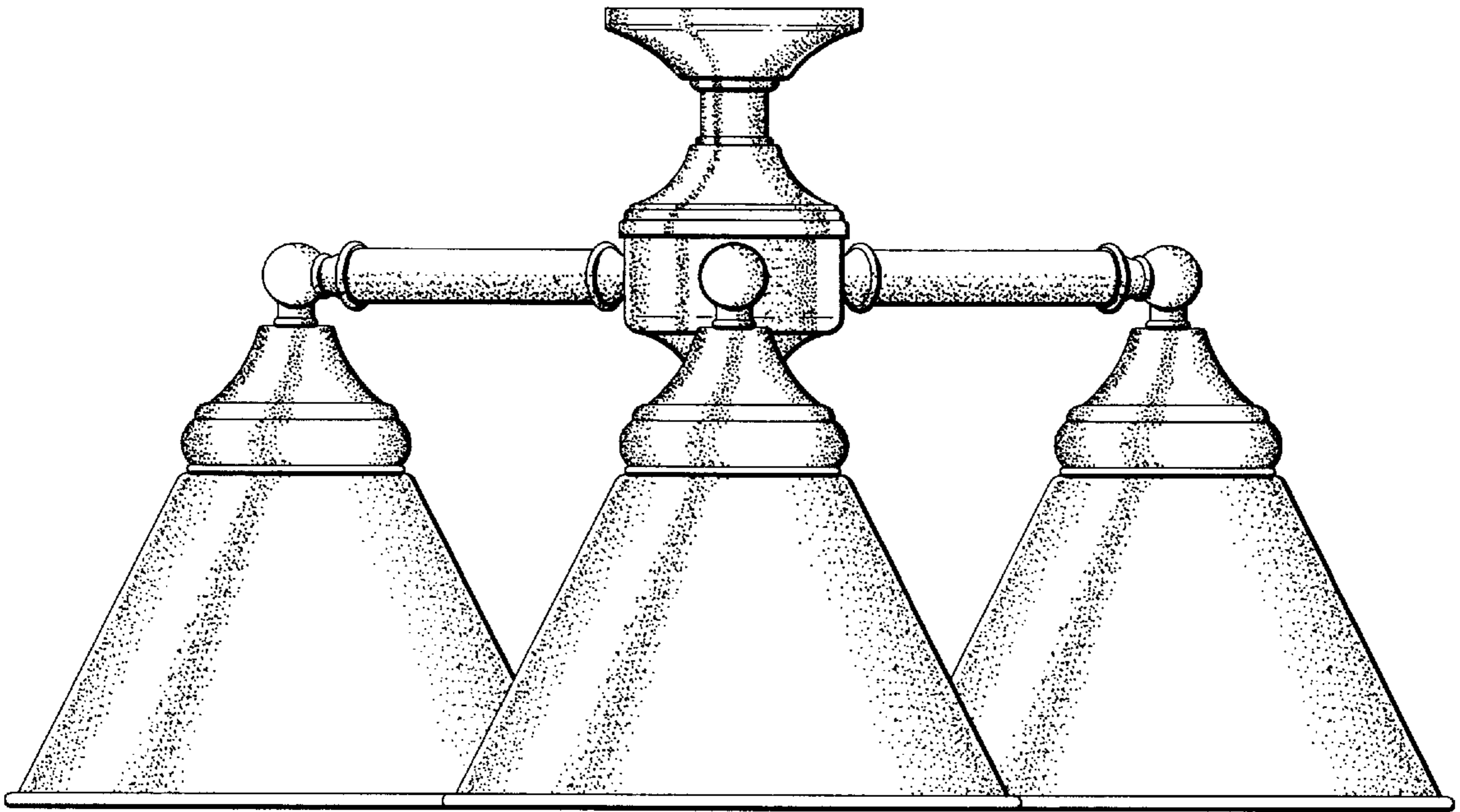


FIG 4

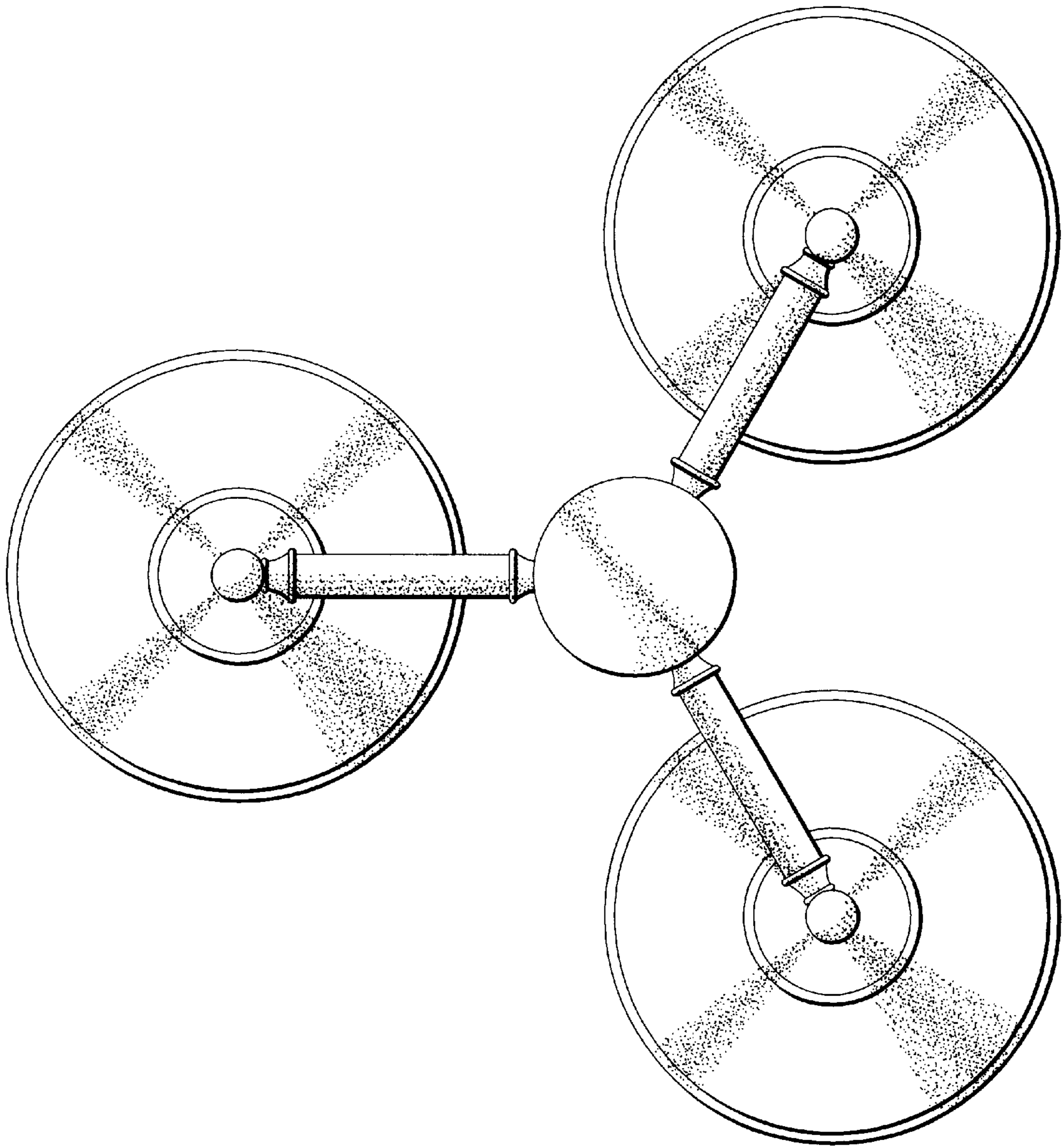


FIG 5

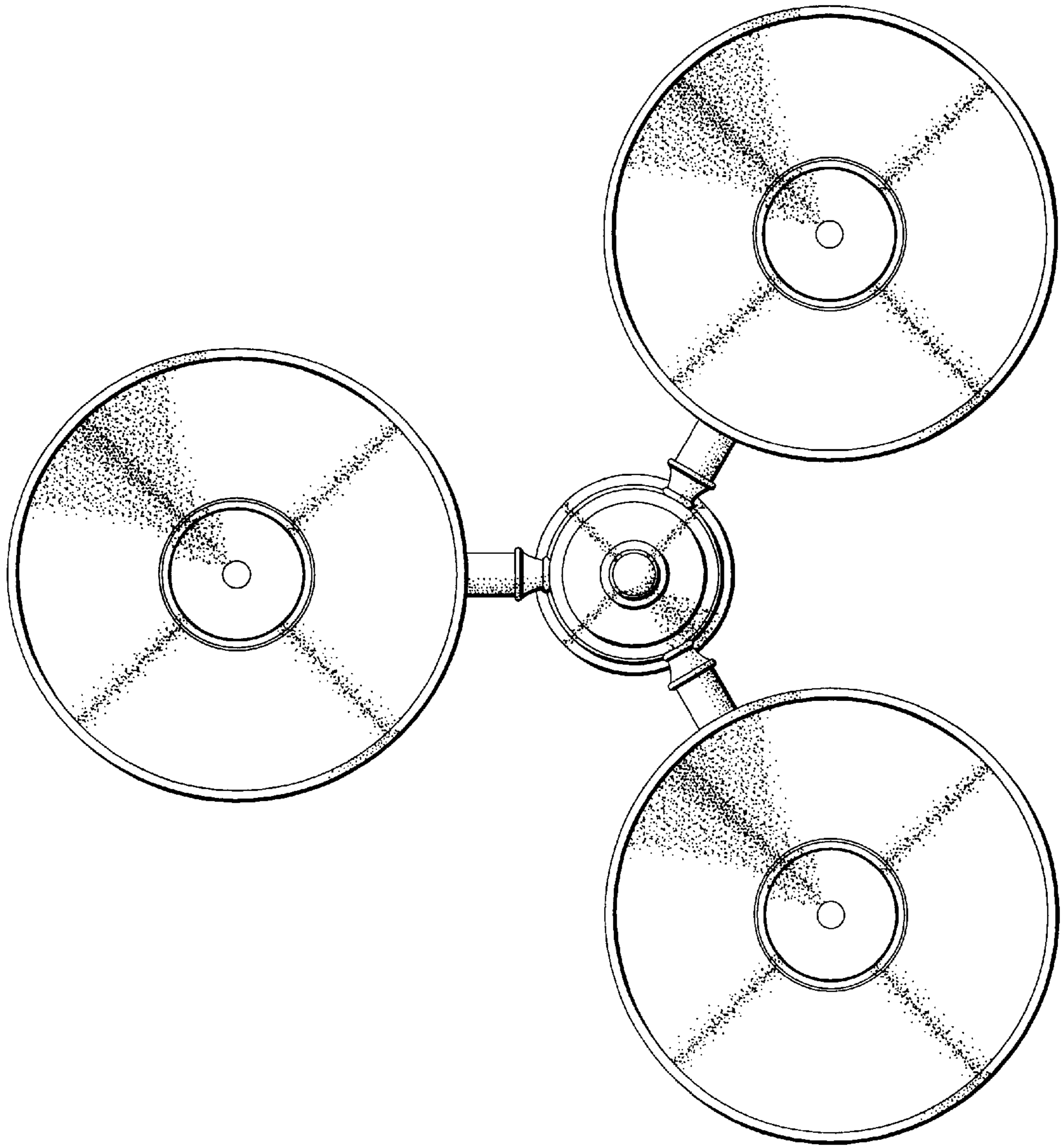


FIG 6

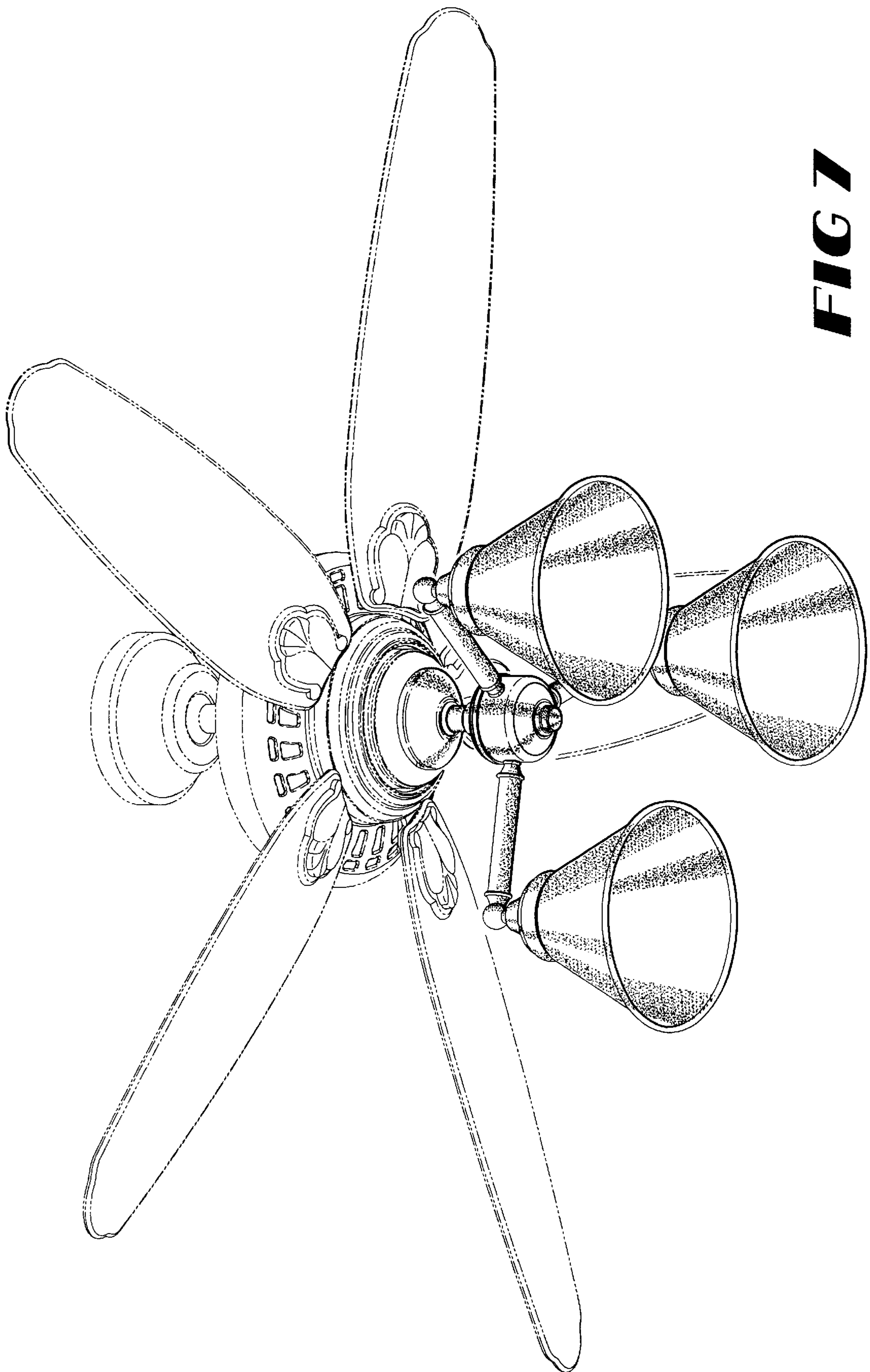


FIG 7