



US00D420160S

United States Patent [19] Milicia

[11] **Patent Number: Des. 420,160**

[45] **Date of Patent: ** Feb. 1, 2000**

[54] **OUTDOOR FIXTURE**

[75] Inventor: **Libbe A. Milicia**, North Royalton, Ohio

[73] Assignee: **The L.D. Kichler Co.**, Cleveland, Ohio

[**] Term: **14 Years**

[21] Appl. No.: **29/095,284**

[22] Filed: **Oct. 20, 1998**

[51] **LOC (7) Cl. 26-05**

[52] **U.S. Cl. D26/68**

[58] **Field of Search D26/67-71; 362/431,
362/147, 363, 367, 153, 153.1**

[56] **References Cited**

PUBLICATIONS

Kichler Lighting catalog dated Jul.,1996, p. S-239, printed U.S.A.

Dabmar lighting catalog, front cover, exterior lighting fixture, Jul. 1996.

Illumintecnica magazine, p. 314, wall lantern # 4563/STR, May 1997.

Primary Examiner—Susan J. Lucas
Attorney, Agent, or Firm—Watts, Hoffmann, Fisher & Heinke, Co., L.P.A.

[57] **CLAIM**

I claim the ornamental design for an outdoor fixture, as shown and described.

DESCRIPTION

FIG. 1 is a perspective view of the outdoor fixture showing my new design;

FIG. 2 is a left side elevational view of the outdoor fixture, the right side elevational view being a mirror image;

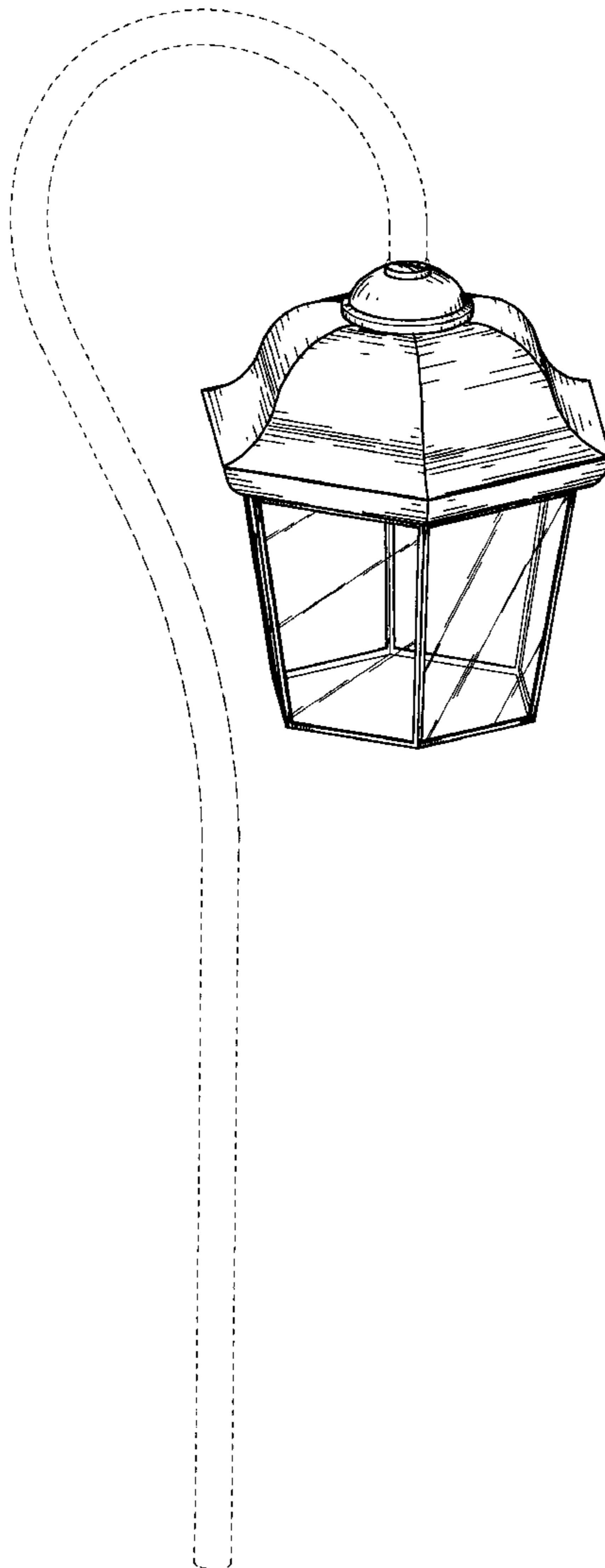
FIG. 3 is a front elevational view of the outdoor fixture;

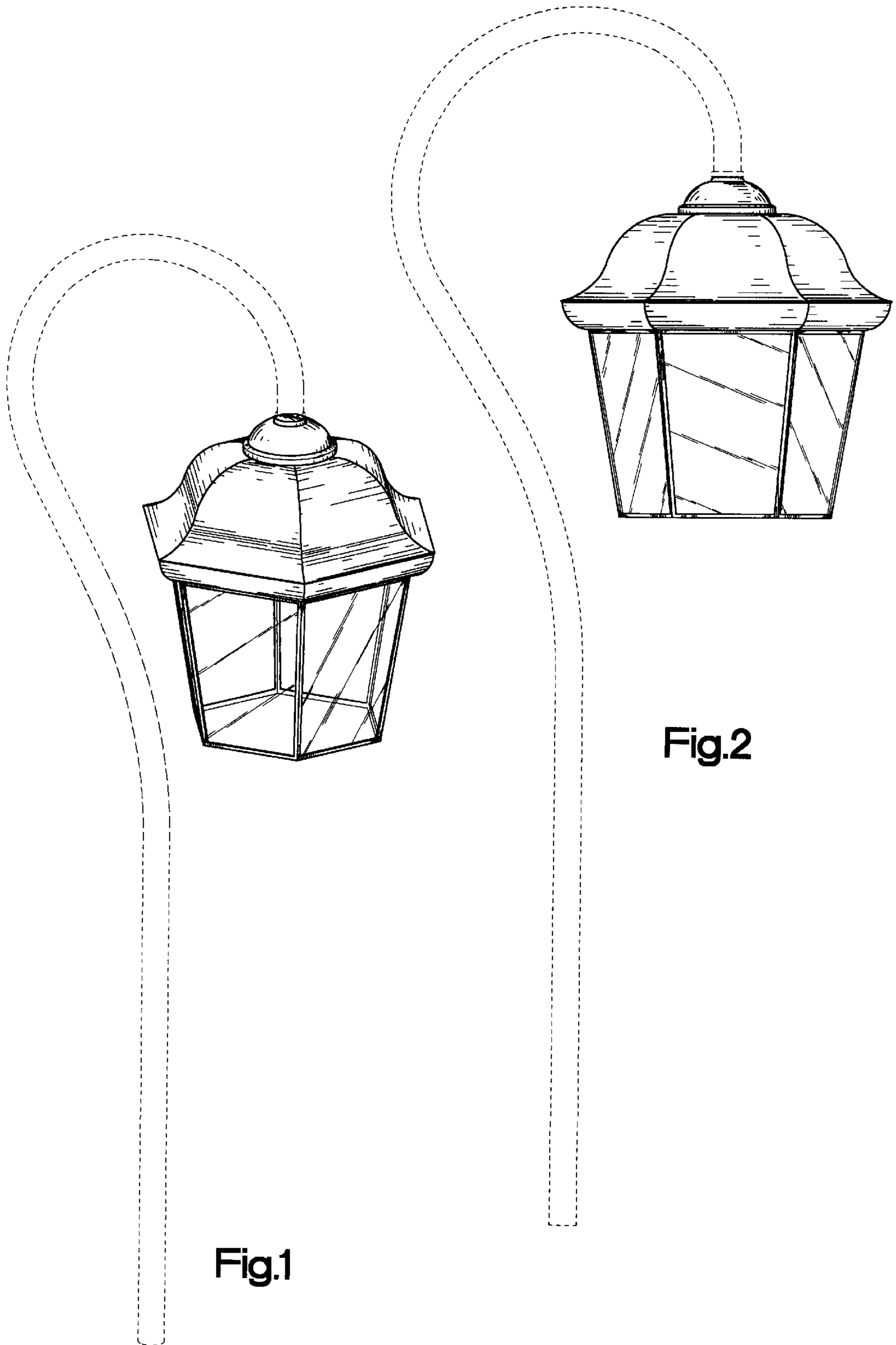
FIG. 4 is a rear elevational view of the outdoor fixture;

FIG. 5 is a top plan view of the outdoor fixture; and,

FIG. 6 is a bottom plan view of the outdoor fixture.

1 Claim, 3 Drawing Sheets





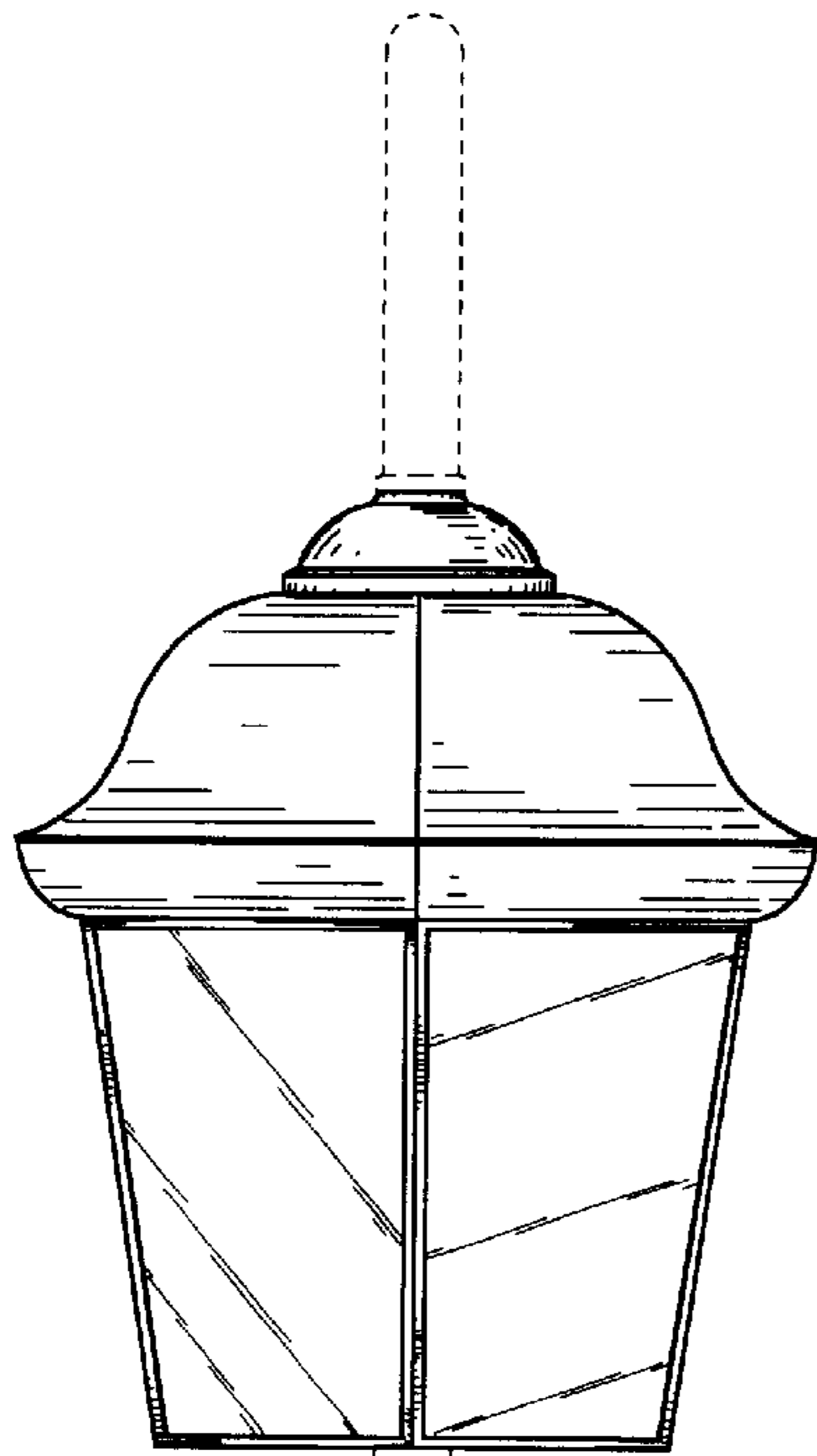


Fig.3

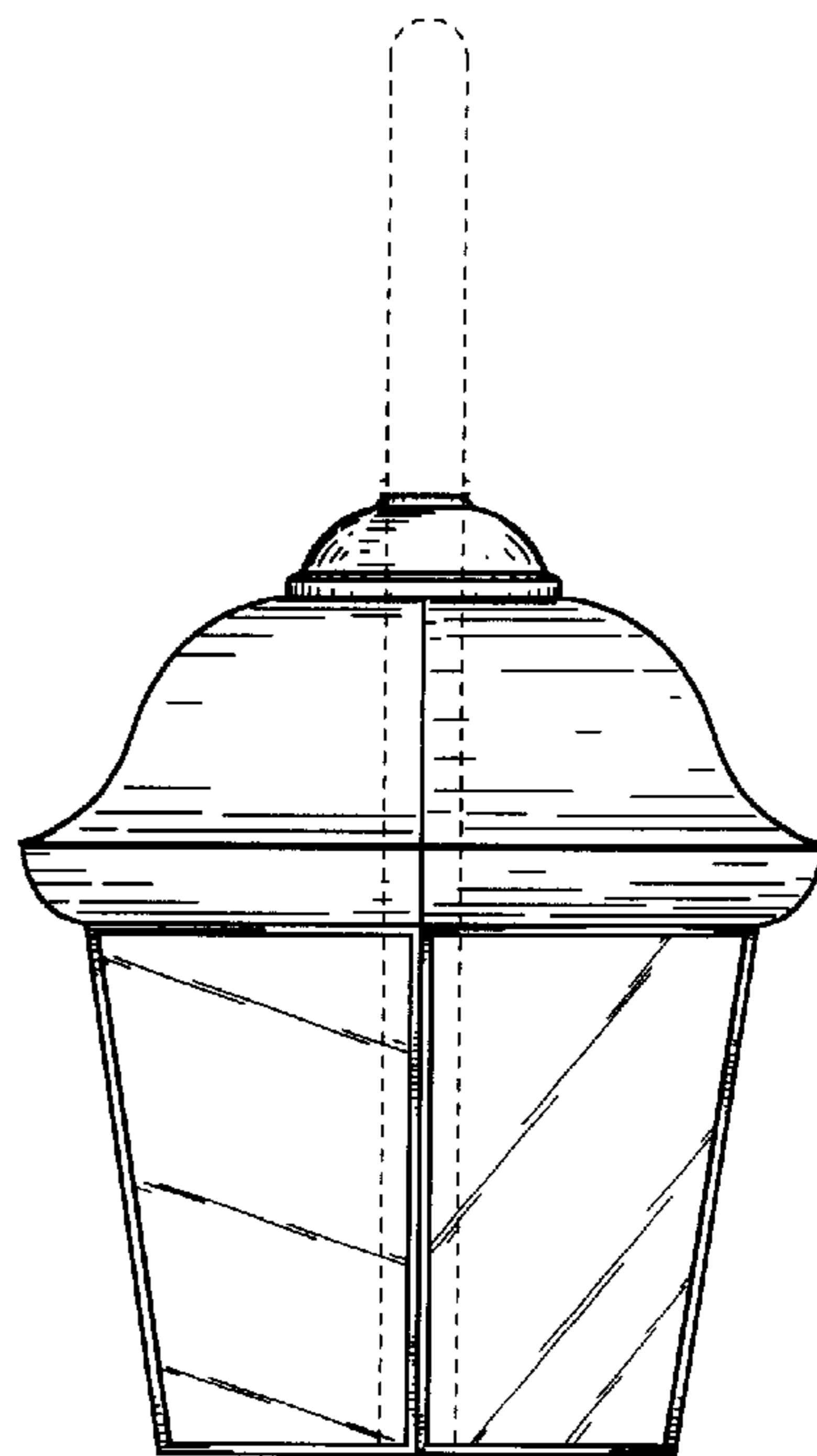


Fig.4

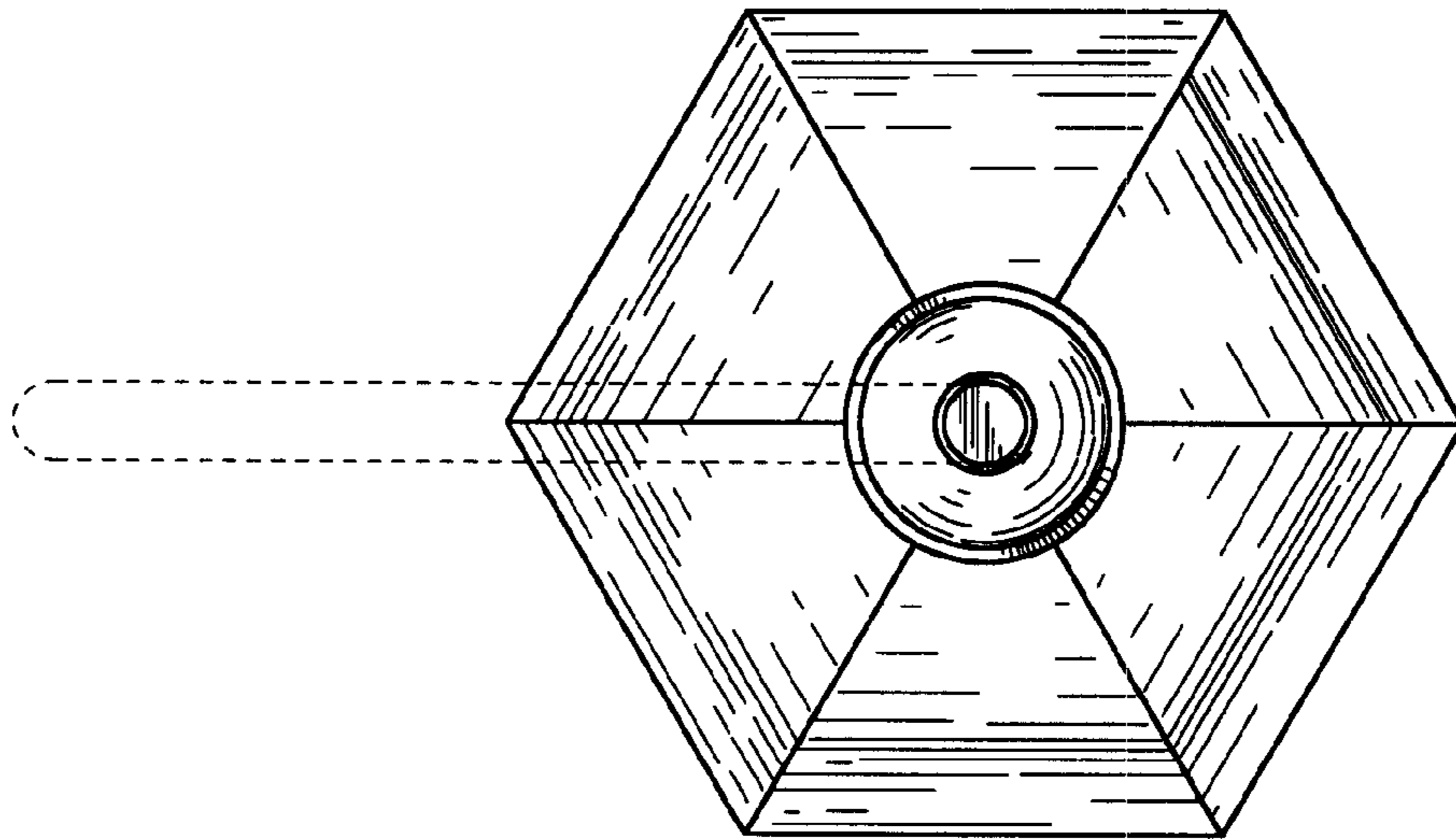


Fig.5

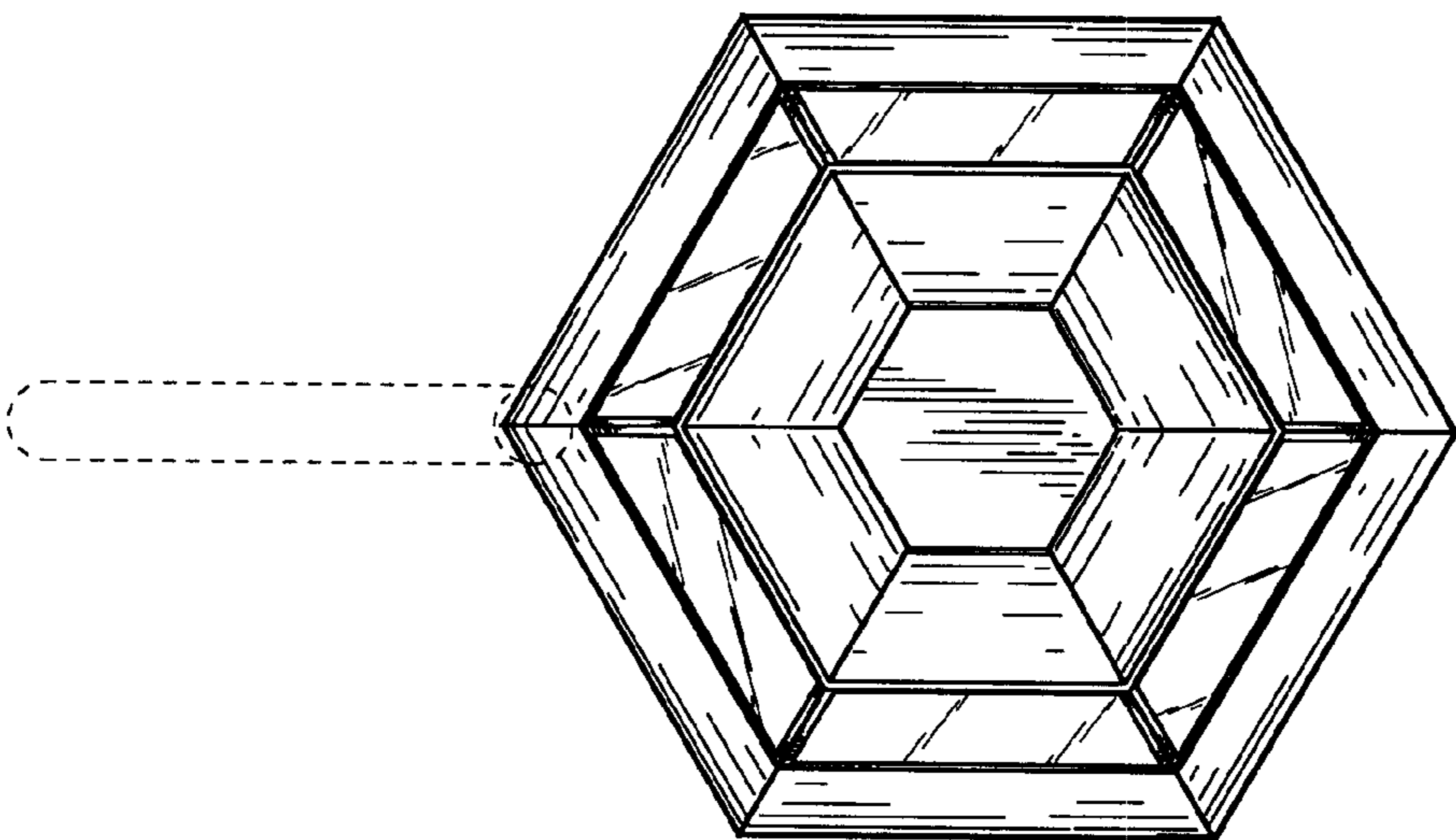


Fig.6