



US00D420159S

# United States Patent [19]

Duennes et al.

[11] Patent Number: Des. 420,159

[45] Date of Patent: \*\* Feb. 1, 2000

[54] WORK LAMP

5,243,507 9/1993 Atkins et al. .... 362/376

[75] Inventors: **Mark D. Duennes**, Glenview; **James P. Orrico**, Chicago, both of Ill.

*Primary Examiner*—Freda Nunn  
*Attorney, Agent, or Firm*—Leo H McCormick, Jr.; Warren Comstock

[73] Assignee: **S-B Power Tool Corporation**, Chicago, Ill.

### [57] CLAIM

[\*\*] Term: 14 Years

The ornamental design for a work lamp, as shown and described.

[21] Appl. No.: 29/096,547

### DESCRIPTION

[22] Filed: Nov. 13, 1998

[51] LOC (7) Cl. .... 26-05

FIG. 1 is a perspective view of a work lamp showing our new design;

[52] U.S. Cl. .... D26/63

FIG. 2 is a left side view elevation view thereof;

[58] Field of Search ..... D26/60-66, 50;  
362/269, 274, 277, 285, 418, 419, 427,  
376

FIG. 3 is a right side elevation view thereof;

FIG. 4 is a rear view thereof;

FIG. 5 is a top plan view thereof; and,

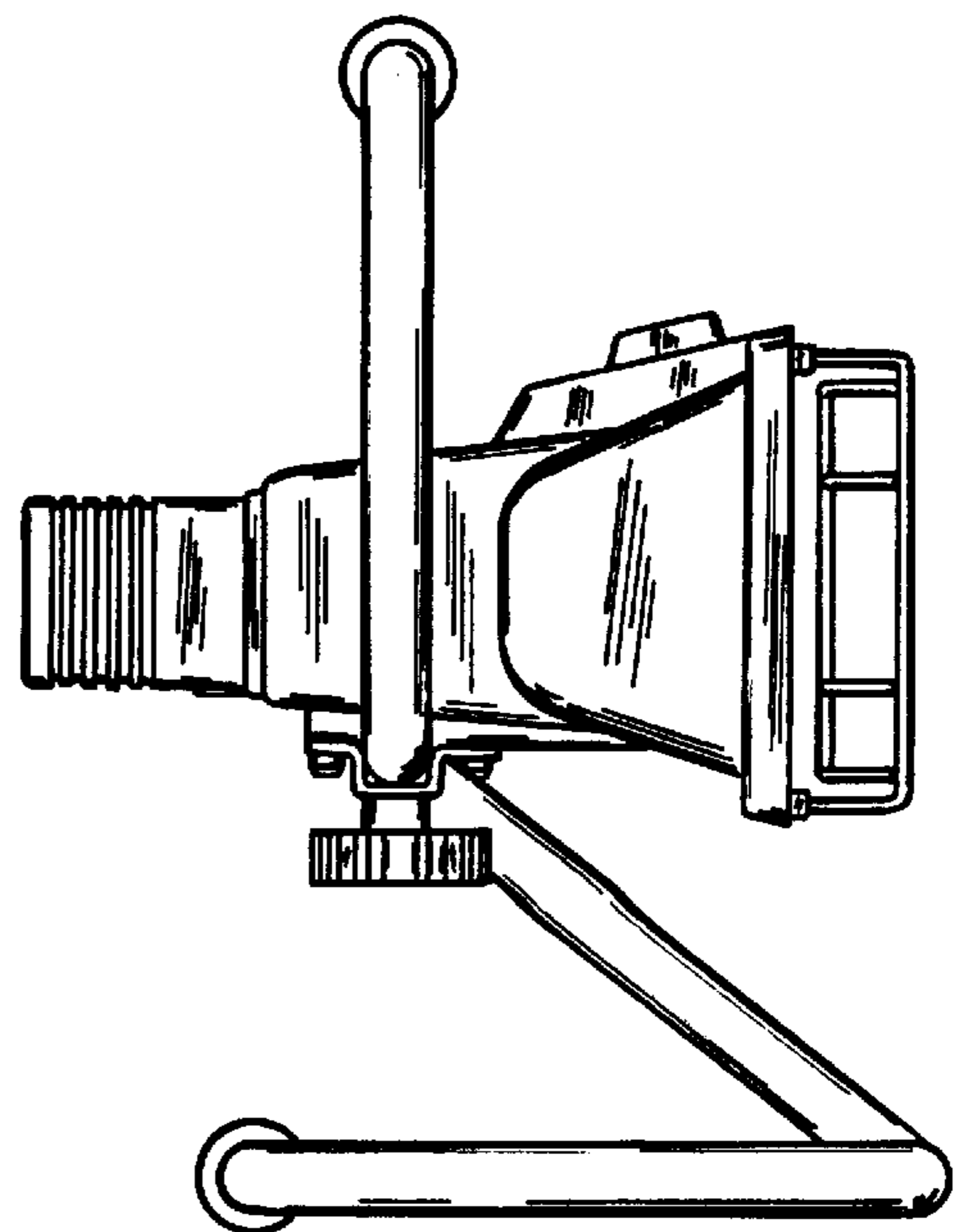
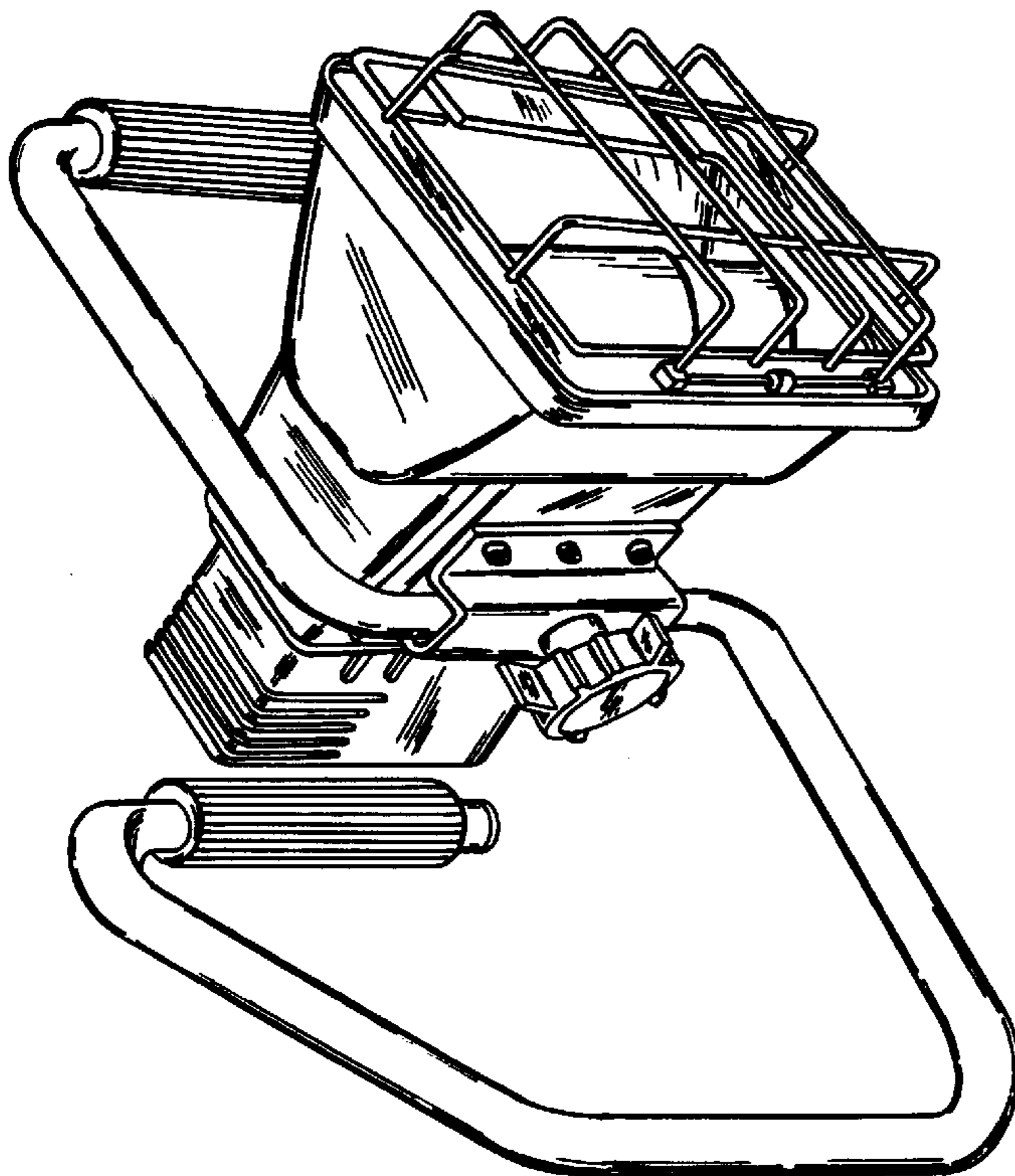
FIG. 6 is a bottom plan view thereof.

### [56] References Cited

#### U.S. PATENT DOCUMENTS

D. 388,209 12/1997 Grossman et al. .... D26/63

1 Claim, 3 Drawing Sheets



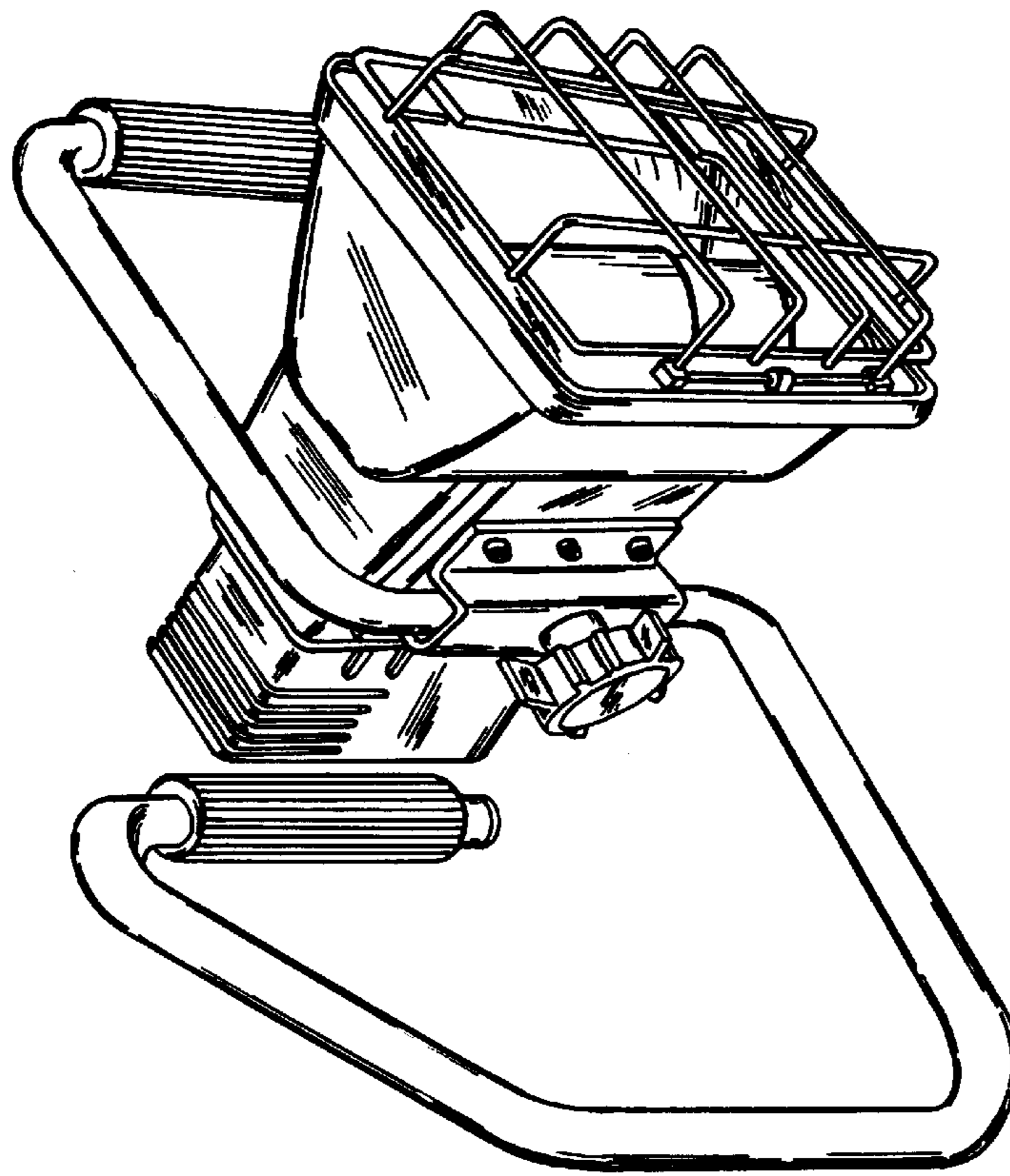


FIG. 1

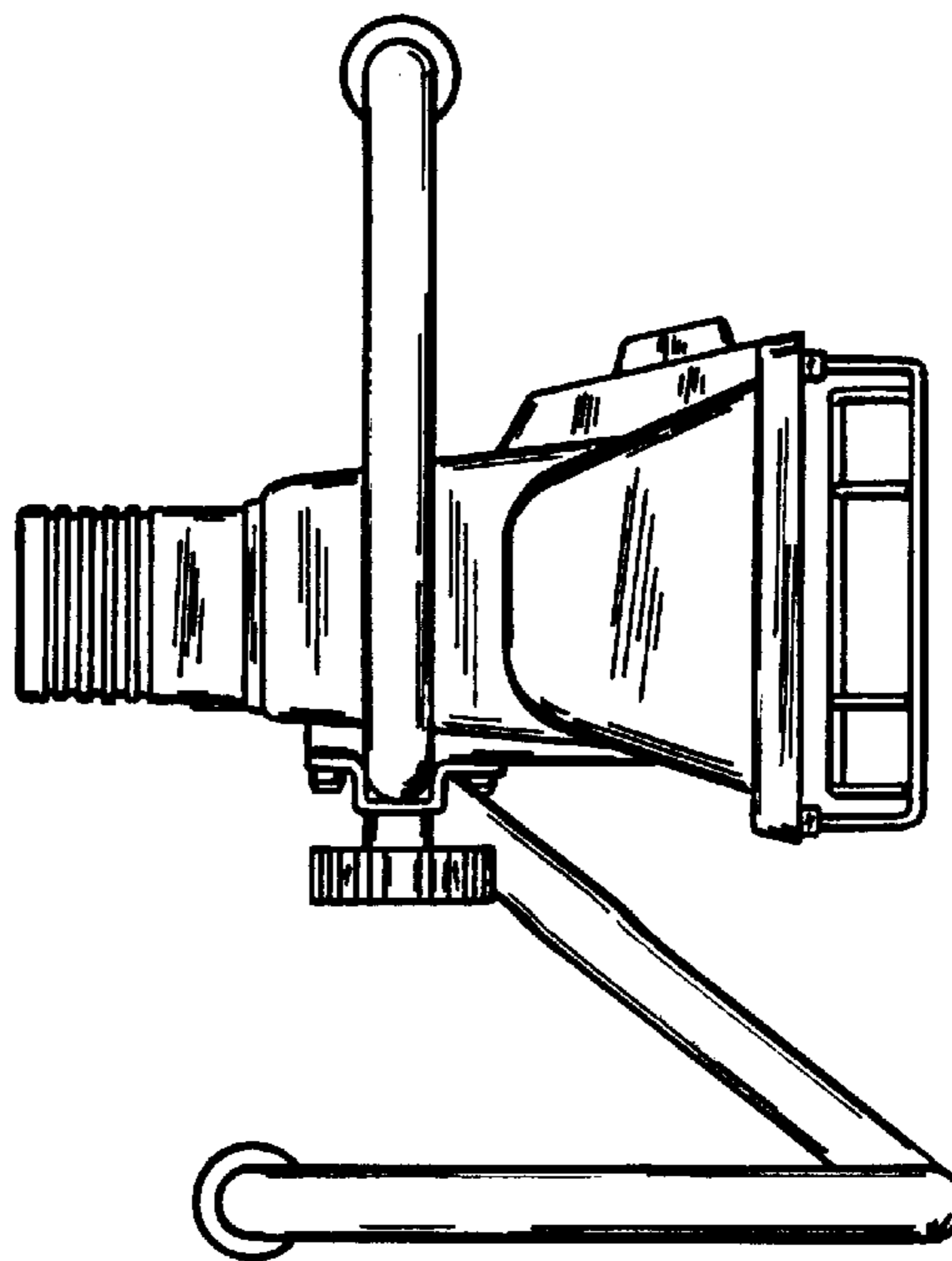


FIG. 2

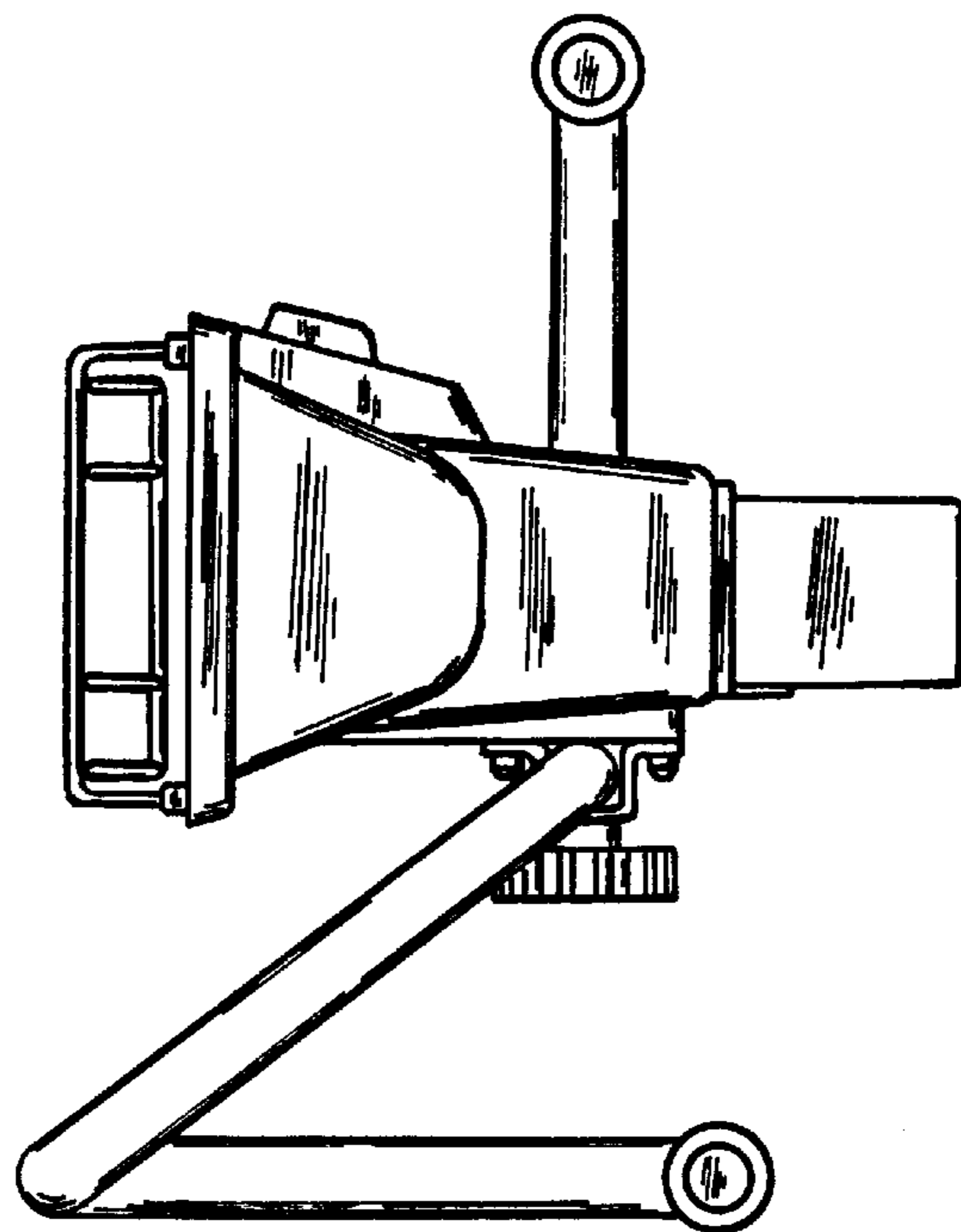


FIG. 3

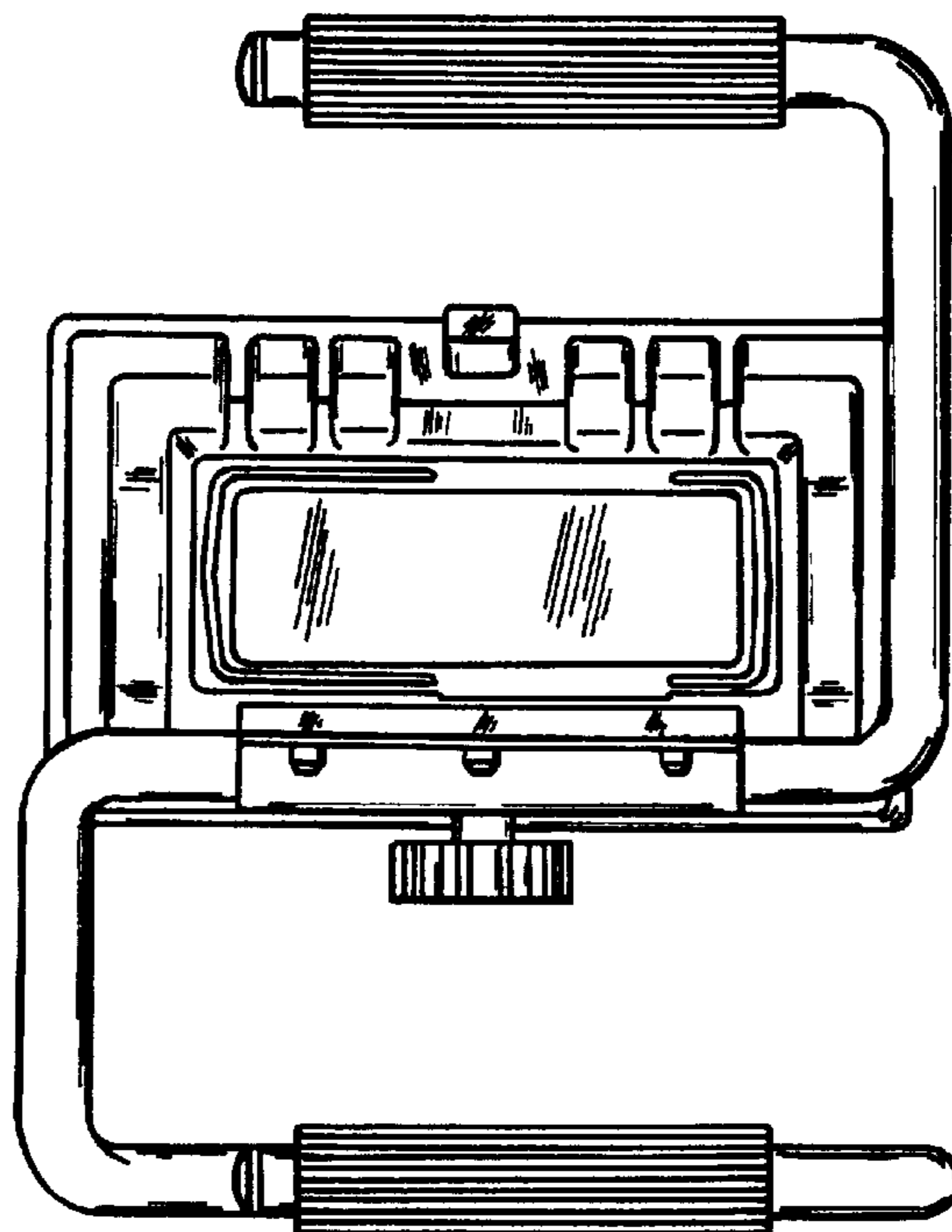
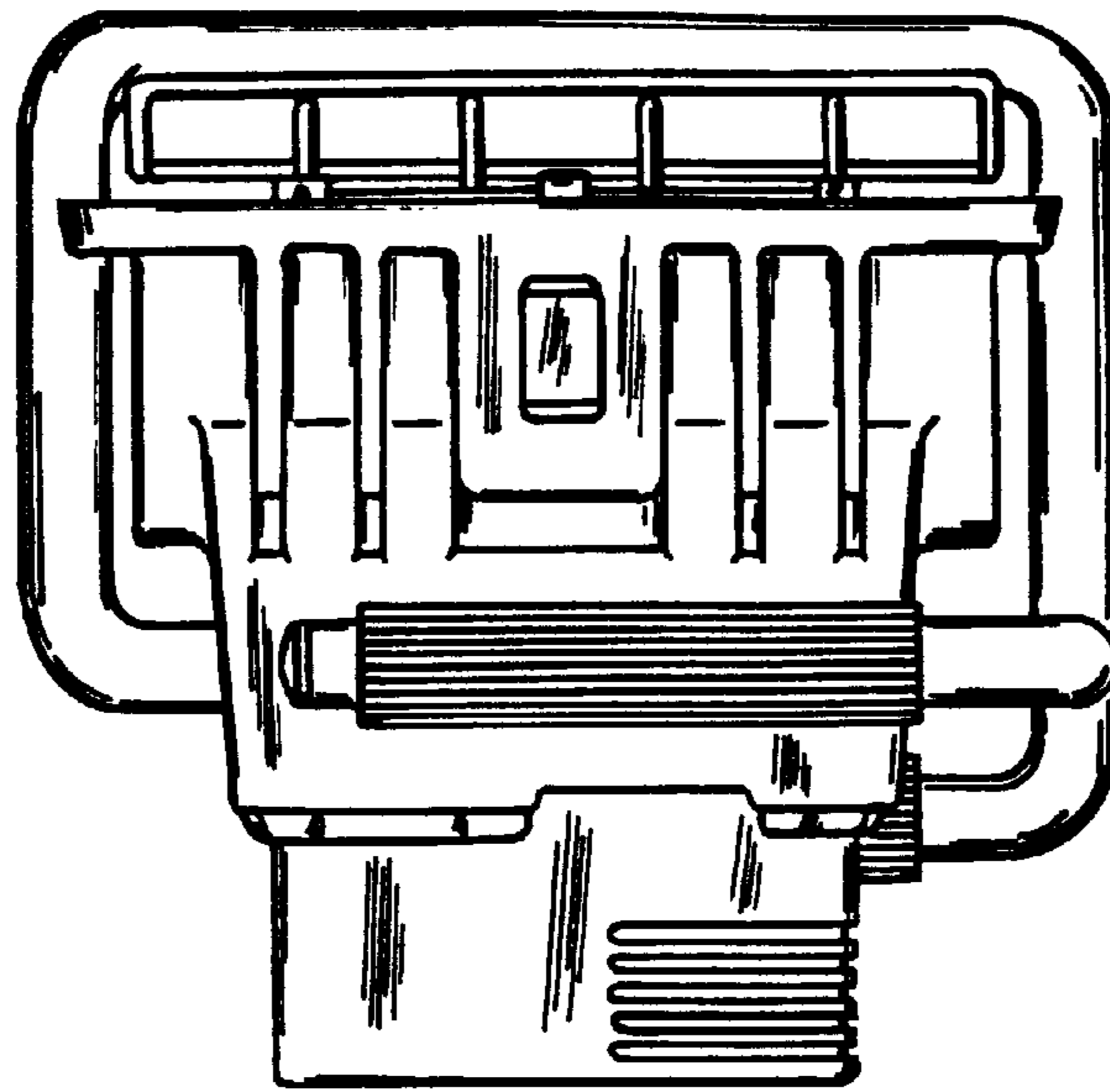
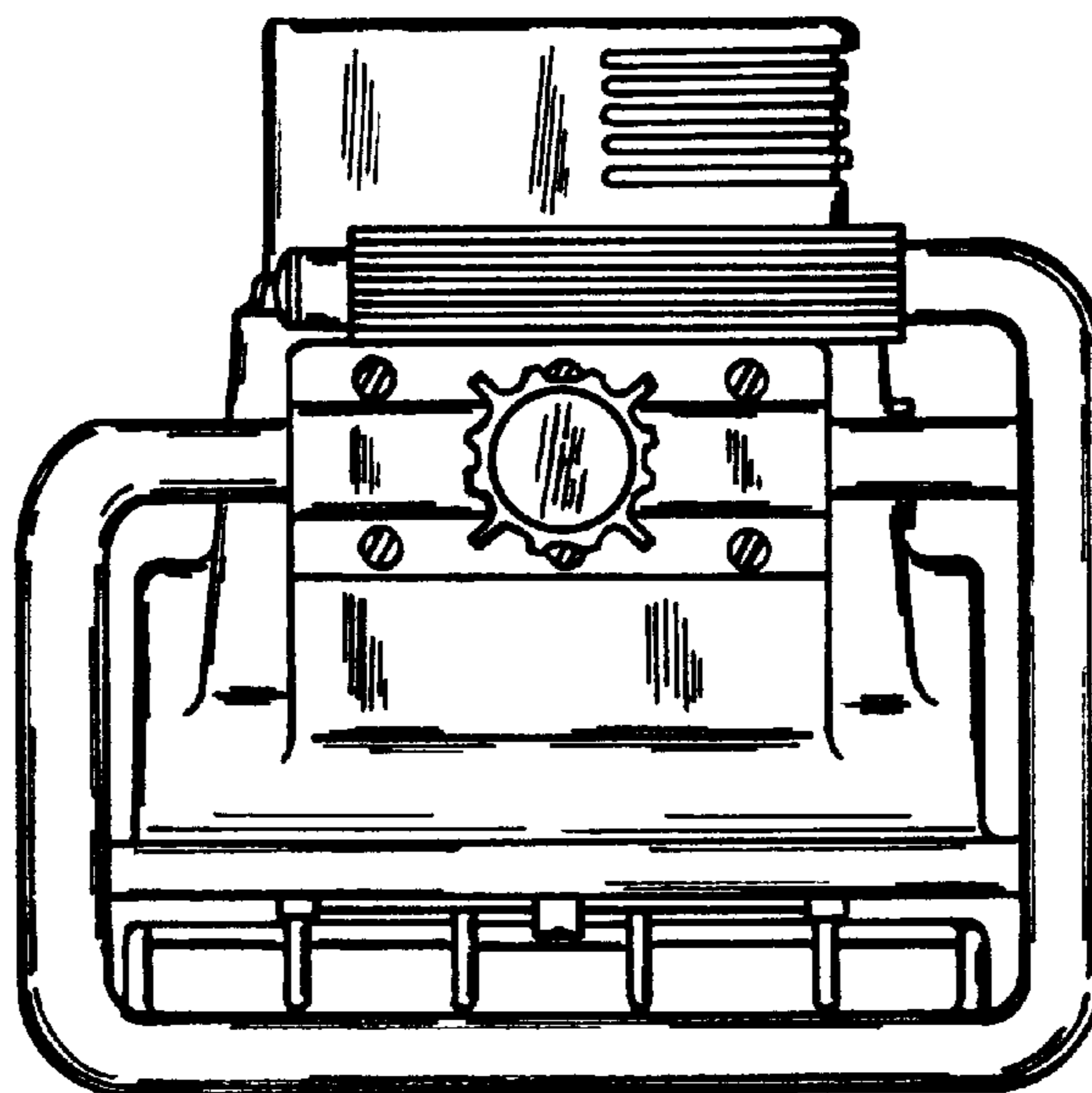


FIG. 4



**FIG. 5**



**FIG. 6**