



US00D420158S

United States Patent [19] Yuen

[11] **Patent Number: Des. 420,158**

[45] **Date of Patent: ** Feb. 1, 2000**

[54] **RECHARGEABLE LANTERN**

[75] Inventor: **John Se-Kit Yuen**, Kowloon, The Hong Kong Special Administrative Region of the People's Republic of China

[73] Assignee: **John Manufacturing Limited**, Kowloon, The Hong Kong Special Administrative Region of the People's Republic of China

[**] Term: **14 Years**

[21] Appl. No.: **29/102,541**

[22] Filed: **Mar. 26, 1999**

[30] **Foreign Application Priority Data**

Sep. 30, 1998 [GB] United Kingdom 2078061

[51] **LOC (7) Cl.** **26-02**

[52] **U.S. Cl.** **D26/50**

[58] **Field of Search** D26/37-50; 362/157, 362/158, 183-208

[56] **References Cited**

U.S. PATENT DOCUMENTS

D. 351,918	10/1994	Poon	D26/42
D. 382,358	8/1997	Poon	D26/42
D. 392,061	3/1998	Zo	D26/42
D. 399,016	9/1998	Howard et al.	D26/42

Primary Examiner—Marcus A. Jackson
Attorney, Agent, or Firm—Beall Law Offices

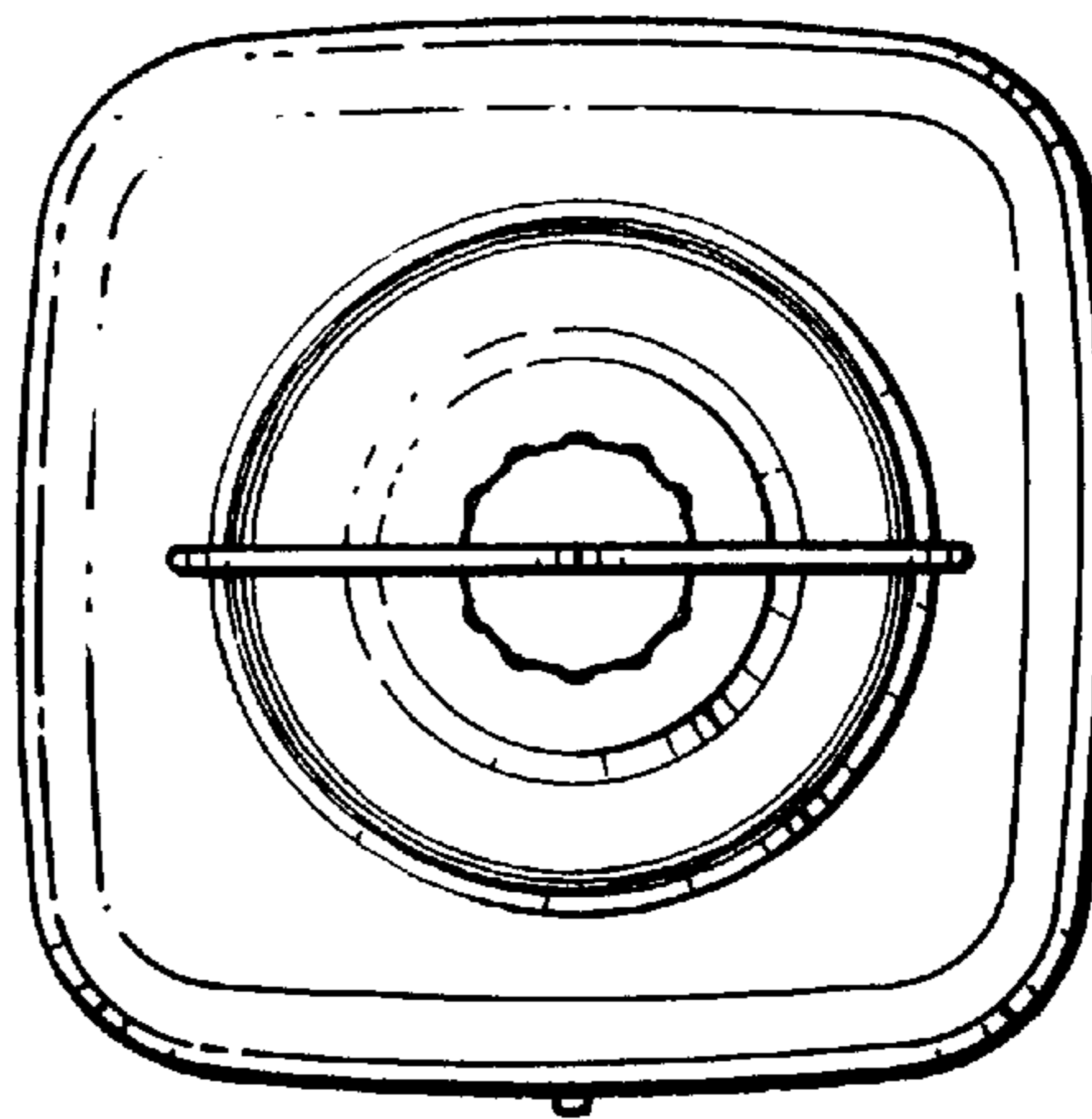
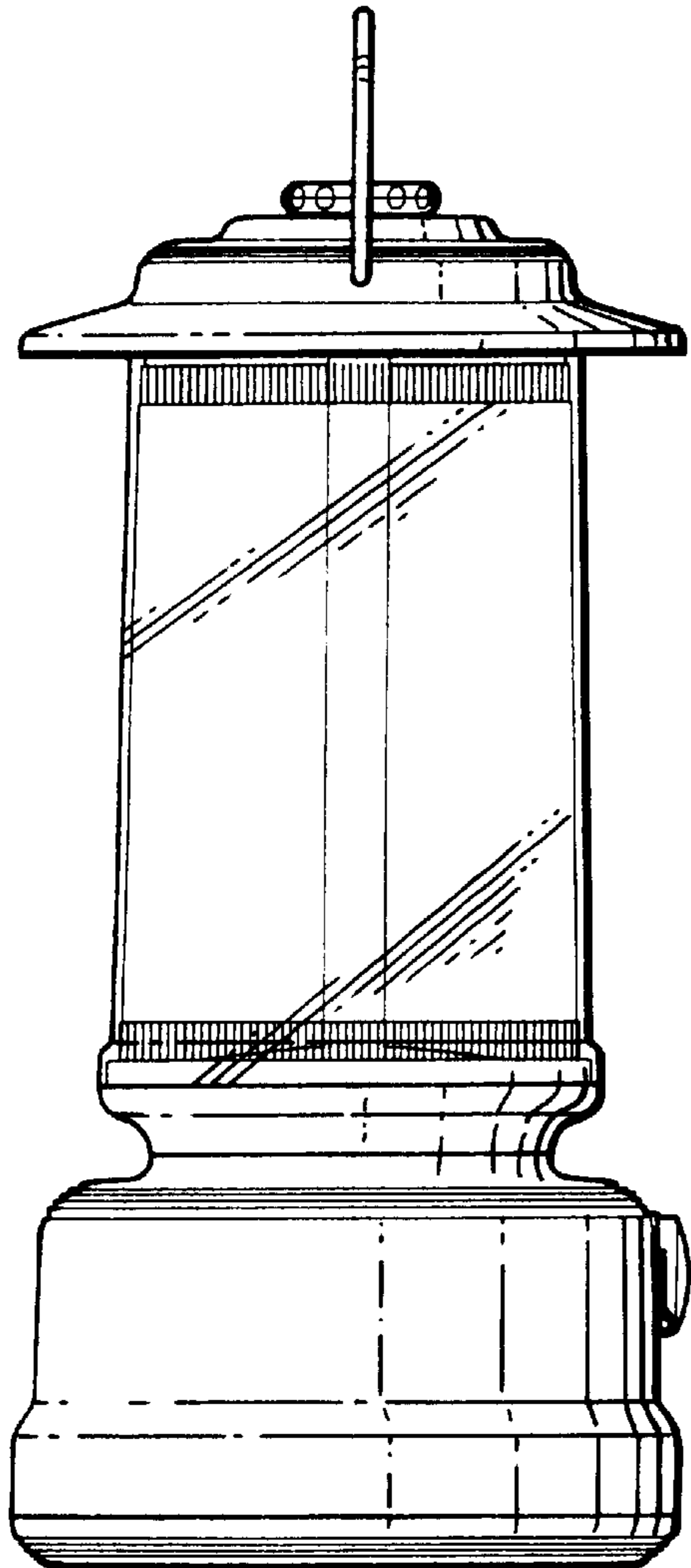
[57] **CLAIM**

The ornamental design for a “rechargeable lantern”, as shown and described.

DESCRIPTION

FIG. 1 is a left side elevational view showing my new design;
FIG. 2 is a front elevational view thereof;
FIG. 3 is a right side elevational view thereof;
FIG. 4 is a rear elevational view thereof;
FIG. 5 is a top plan view thereof; and,
FIG. 6 is an underneath plan view thereof.

1 Claim, 2 Drawing Sheets



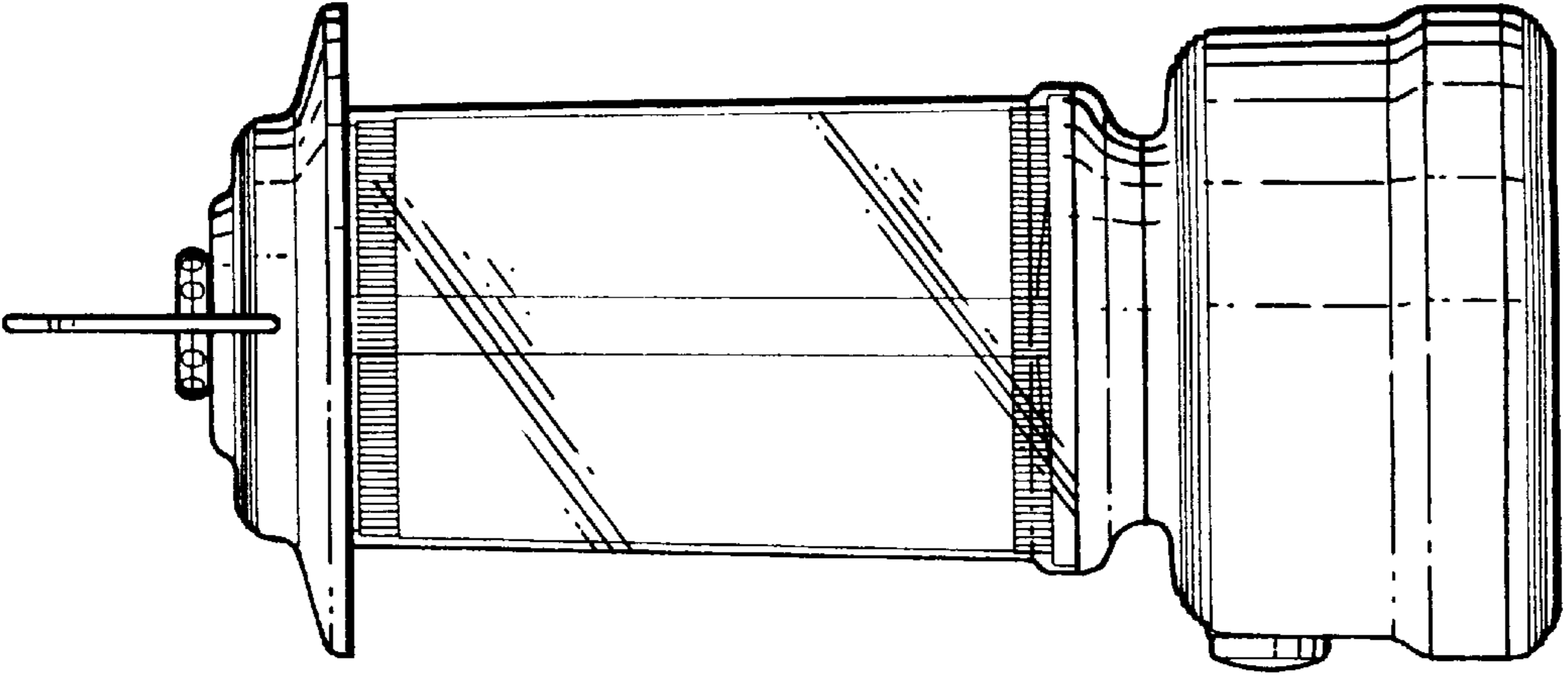


FIG. 1

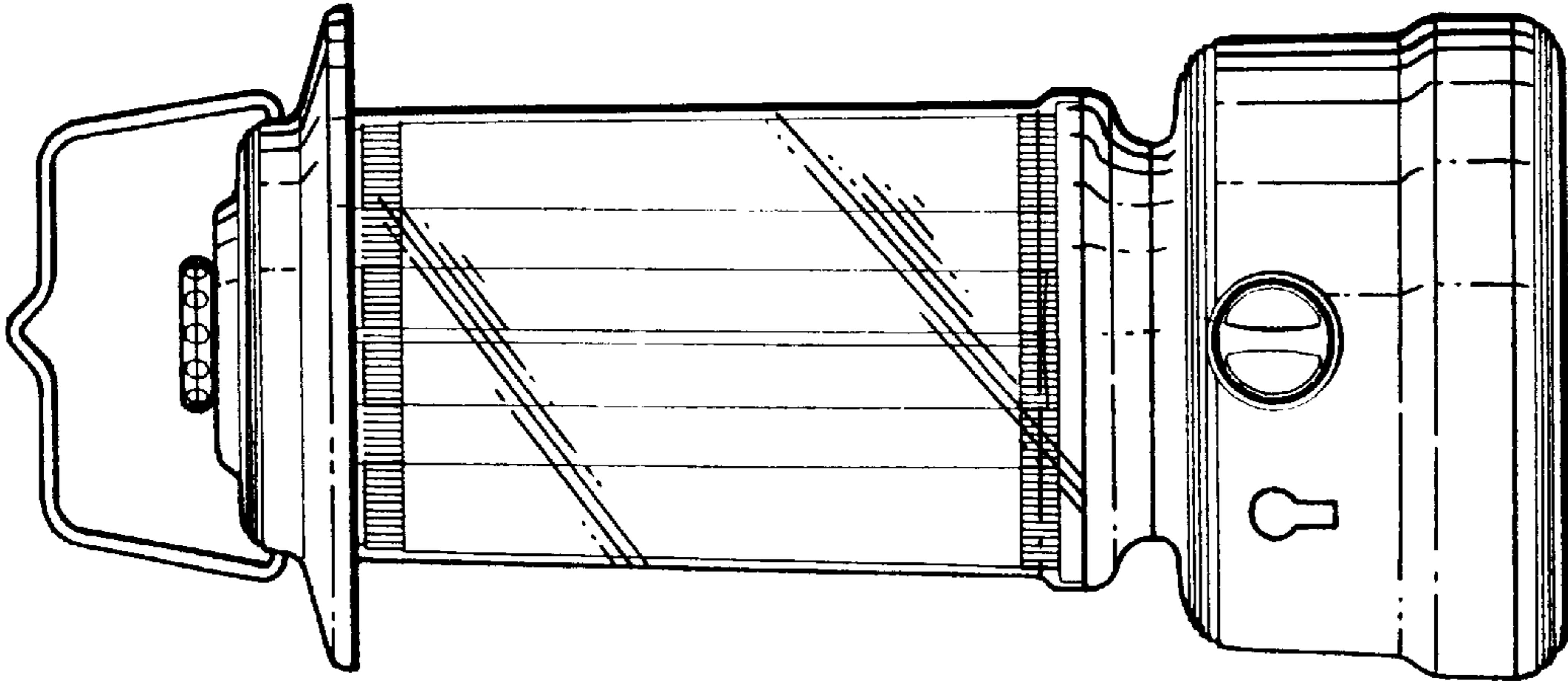


FIG. 2

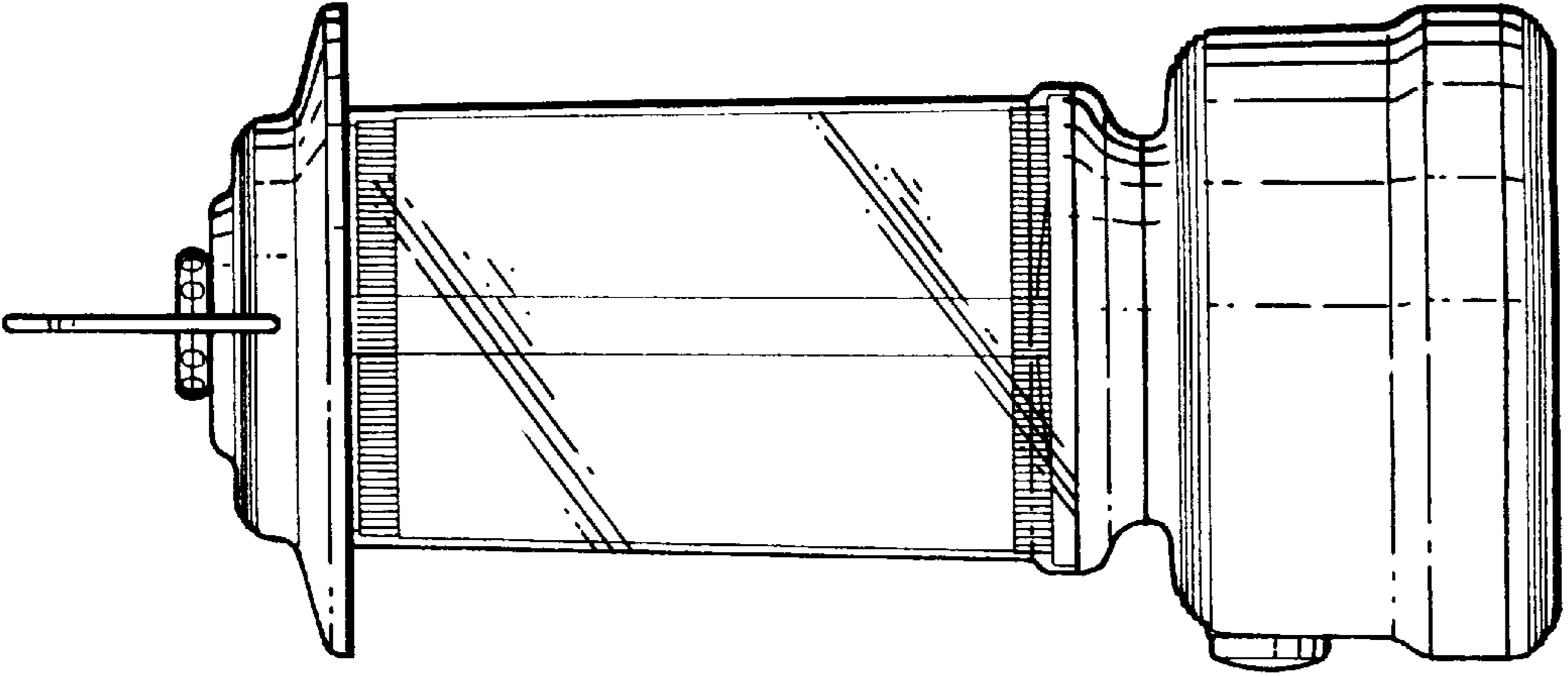


FIG. 3

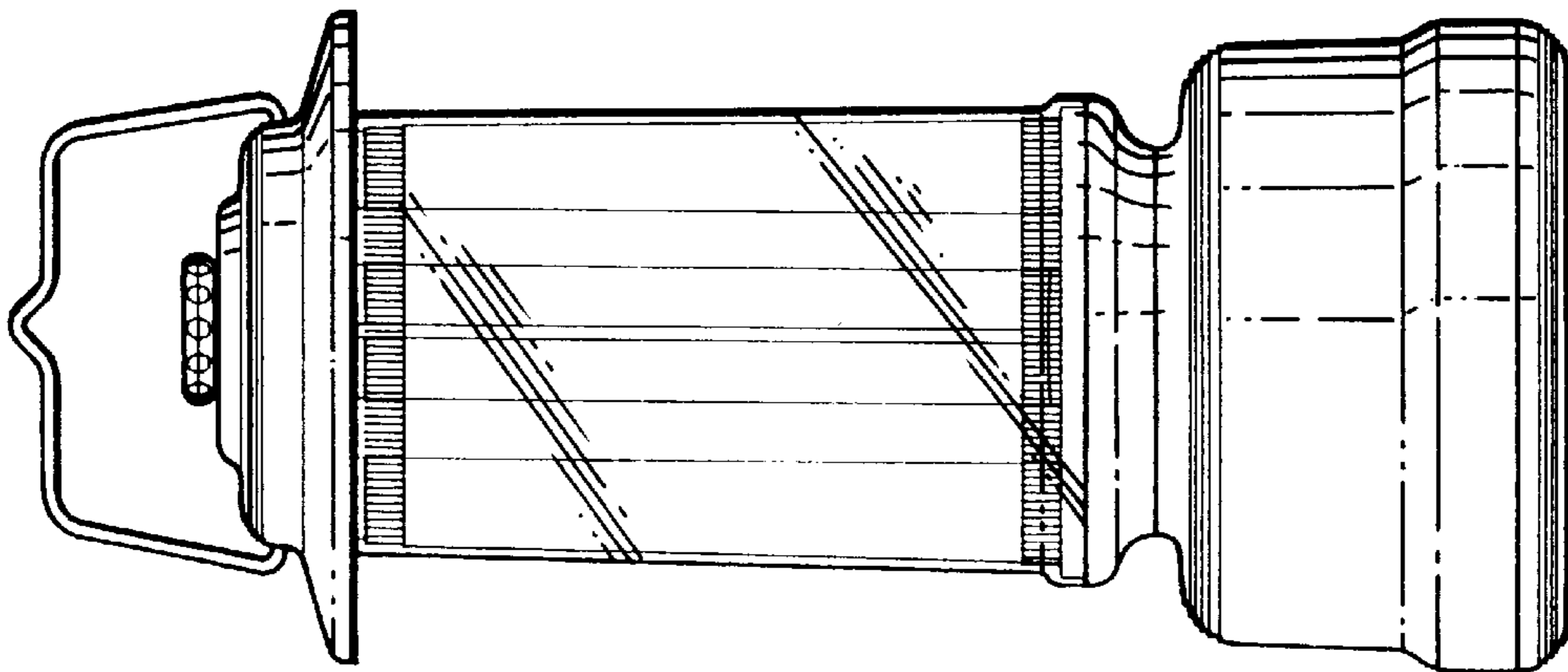


FIG. 4

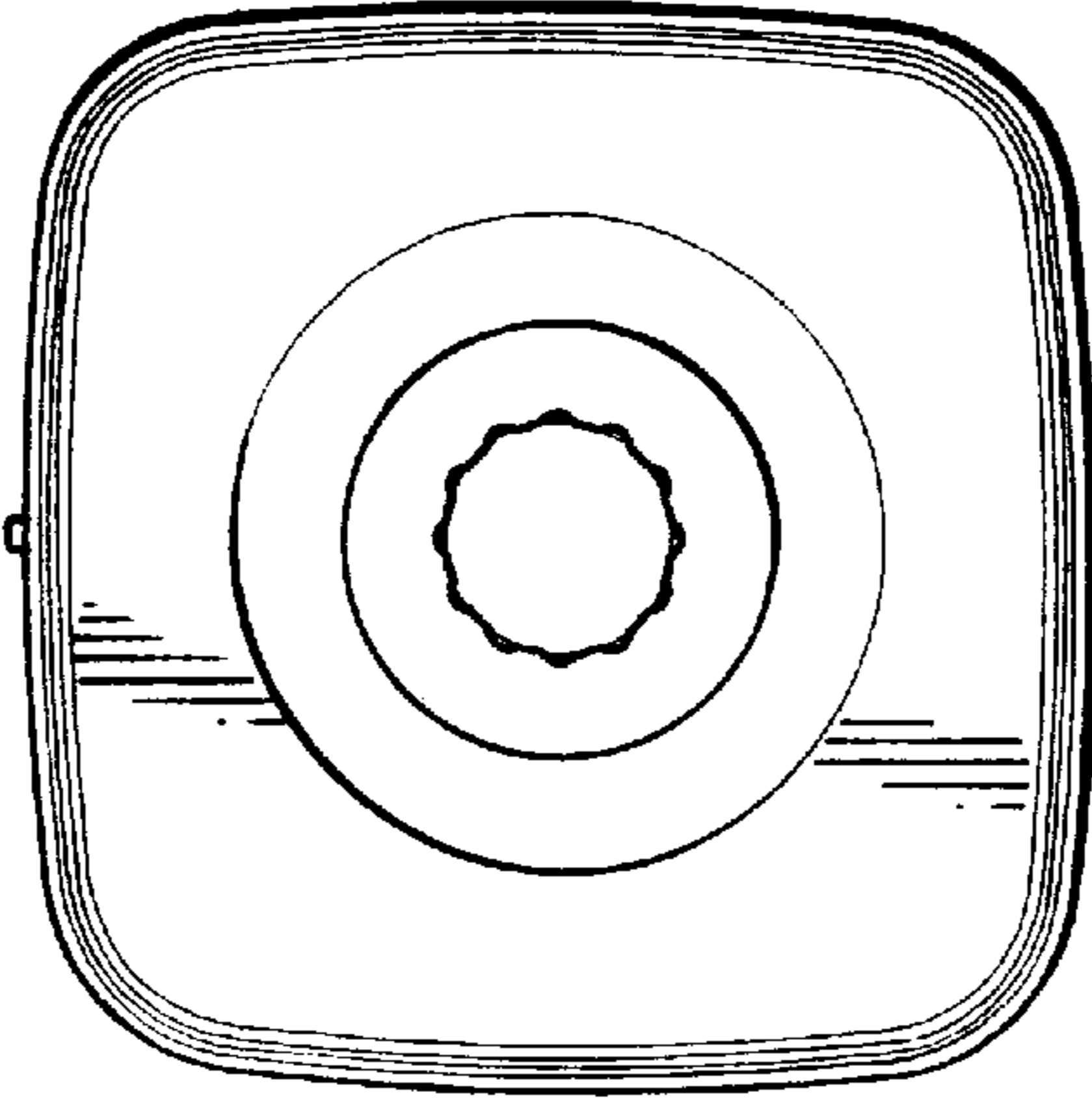


FIG. 6

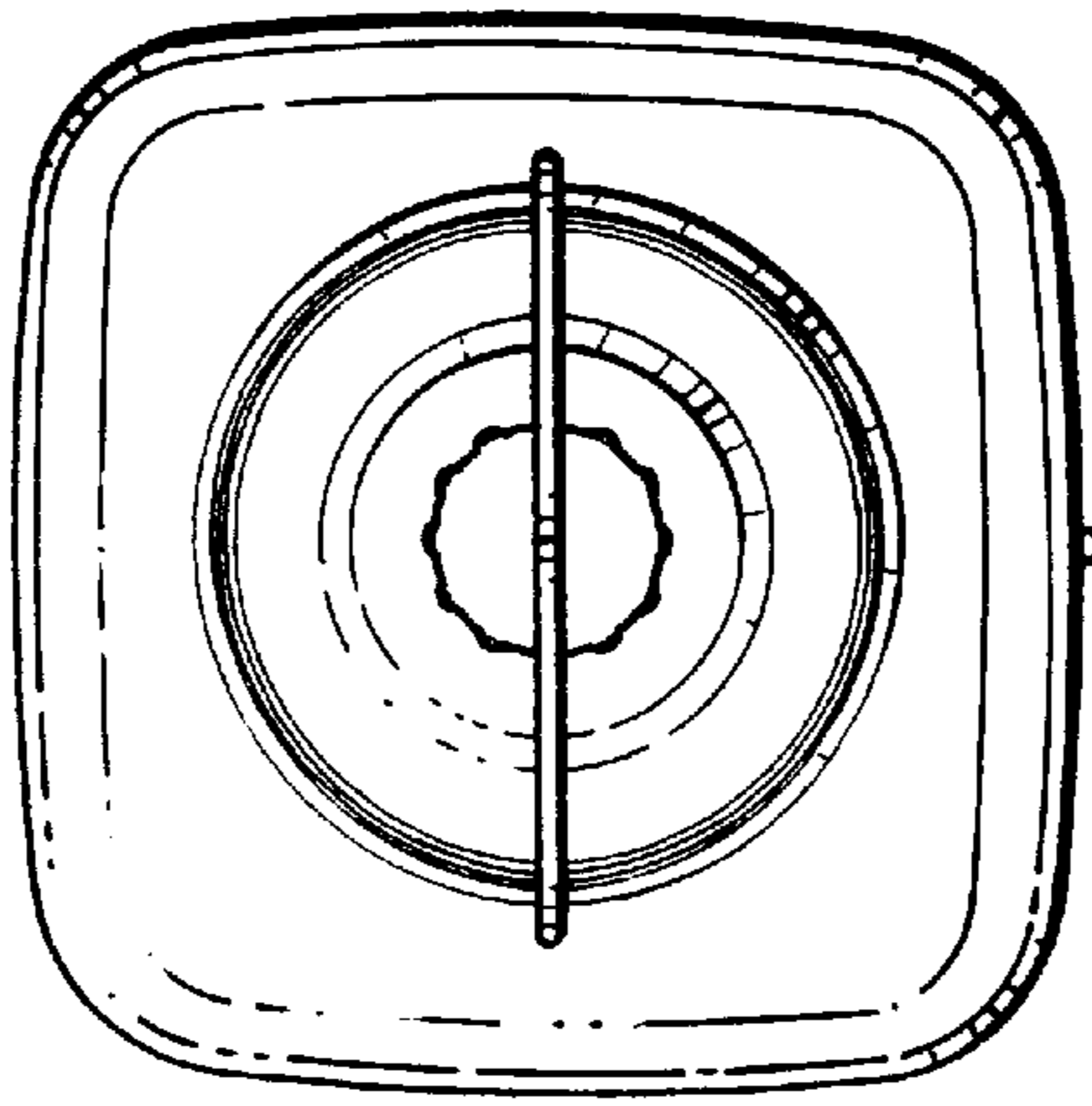


FIG. 5